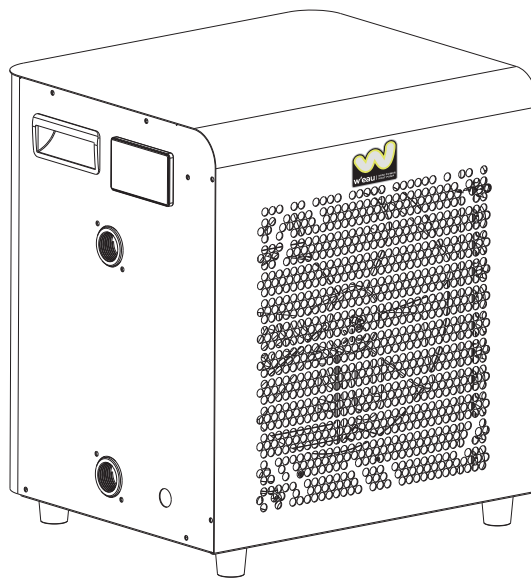


# Installation & Operation Manual

## Mini Power Heat Pump



**Model: WMP-003-2/004-2/005-2**

**ENGLISH/DUTCH/FRENCH/GERMAN**

Thank you very much for purchasing our product, please keep and read this manual carefully before you install heat pump.

---



## ENGLISH VERSION

### Fluorinated greenhouse gas –(R32)

The device contains the fluorinated greenhouse gas (R32) which is required for the device to work.

Industrial designation                      HFC-32

Common designation                        R32

Global warming potential (GWP)        675

Further information can be found on the device itself or the Specifications.

### **WARNING!**

#### **Risk of fire and explosion through leaking finned heat exchanger!**

The refrigerant circuit of the finned heat exchanger contains highly pressurised, easily flammable, odourless gas. Risk of fire and explosion in the event of uncontrolled gas leakage.

- Action of filling gas must be conducted by professional with R32 operating license.
- Keep the heat pump away from heat sources and naked flames.
- Do not drill into or scorch the heat pump.
- Do not use any objects apart from those permitted by the manufacturer to speed up the defrosting process.
- Immediately shut off the heat pump if you suspect a gas leakage.
- The refrigerant is odourless. Always keep ignition sources away from the installation site of the heat pump.
- Contact an authorized expert if you suspect a gas leakage.

### **WARNING!**

#### **Risk of electric shock!**

A faulty electrical installation or a mains voltage that is too high can lead to electric shock.

- Have the installation, initial start-up and maintenance of the heat pump carried out by authorized technician only.
- Please always cut the power supply if you want to open the cabinet to reach inside the heat pump as there is high voltage electricity inside.
- Only start work on the heat pump after checking all safety regulations.
- Only connect the heat pump if the mains voltage from the power socket matches the voltage indicated on the rating plate.

- Do not operate the heat pump if there is visible damage or the mains cable or the mains plug is defective.
- Do not open the housing. Leave repairs to qualified specialists. Liability and warranty claims are excluded in the event of repairs carried out on your own, improper operation.
- Ensure that children do not insert any objects into the fan blade and heat pump.
- Ensure that the electrical system to which the heat pump is connected has an earth conductor.
- If the unit would be installed where is vulnerable to lightning stroke, lightning protection measurements must be carried out.

 **ATTENTION!**

- The manufacturer declines any responsibility for the damage caused with the people, objects and of the errors due to the installation that disobey the manual guideline. Any use that is without conformity at the origin of its manufacturing will be regarded as dangerous.
- Please always keep the heat pump in the ventilation place and away from anything which could cause fire.
- Don't weld the pipe if there is refrigerant inside machine. Please keep the machine out of the confined space when make gas filling by the authorized technician.
- Please always empty the water in heat pump during winter time or when the ambient temperature drops below 0°C, or else the Titanium exchanger will be damaged because of being frozen, in such case, it will be out of warranty for this machine.

**\* INDEX**

- 1. Specifications**
- 2. Dimension**
- 3. Installation and connection**
- 4. Electrical wiring**
- 5. Display controller operation**
- 6. Trouble shooting**
- 7. Maintenance**

# 1. Specifications

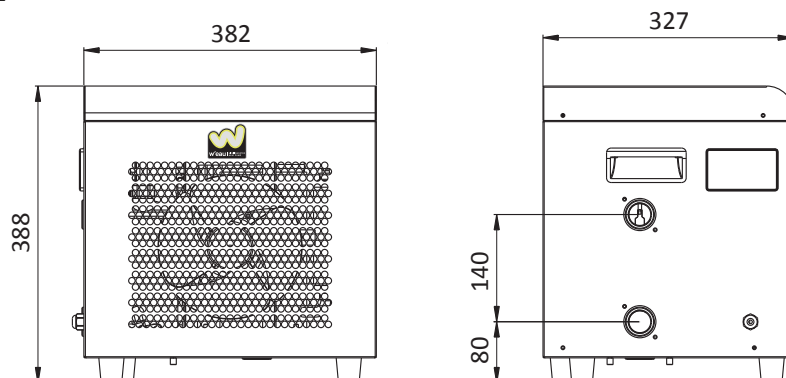
## 1.1 Technical data pool heat pumps

Model No.	WMP-003-2	WMP-004-2	WMP-005-2
<b>* Heating Capacity at Air 26°C, Humidity 80%, Water 26°C in, 28°C out</b>			
Heating Capacity (kW)	3.00	4.00	5.02
Power Input (kW)	0.58	0.77	0.97
COP	5.17	5.20	5.17
<b>* Heating Capacity at Air 15°C, Humidity 70%, Water 26°C in, 28°C out</b>			
Heating Capacity (kW)	2.30	2.95	3.85
Power Input (kW)	0.55	0.70	0.92
COP	4.18	4.20	4.18
<b>* General data</b>			
Power supply	220~240V/1/50Hz		
Max Power Input (kW)	0.95	1.28	1.55
Max Current (A)	4.2	5.6	7.0
Water Flow Volume (m3/h)	1.5	2.0	2.5
Advised pool size m3 (With pool cover)	0~10	5~16	8~20
Refrigerant	R32		
Heat Exchanger	Screwed titanium tube		
Water connection (mm)	32/38		
Air Flow Direction	Horizontal		
Kind of defrosting	by 4-way valve		
Water temp. in heating (°C)	15~40		
Water temp. in cooling (°C)	N/A		
Working temp. range (°C)	11~43		
Casing Material	Metal		
Water proof level	IPX4		
Noise level dB(A) 10m	45	46	48
Noise level dB(A) 1m	53	53	55
Net Weight (kg)	21	22	28
Gross Weight (kg)	23	24	30
Net Dimensions (mm)	382*327*388		420*350*469
Package Dimensions (mm)	440*400*420		475*430*510

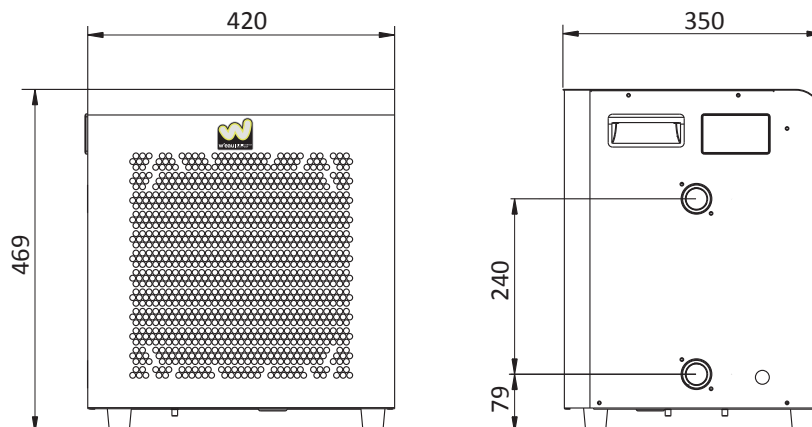
\*Above data is subject to modification without prior notice.

## 2. Dimension (mm)

### 2.1 WMP-003-2/004-2



### 2.2 WMP-005-2



## 3. Installation and connection

### Attention:

Please observe the following rules when installing the heat pump:

1. Any addition of chemicals must take place in the piping located **downstream** from the heat pump.
2. Always hold the heat pump upright. If the unit has been held at an angle, wait at least 24 hours before starting the heat pump.

### 3.1 Heat pump location

The unit will work properly in any desired location as long as the following three items are present:

1. Fresh air
2. Electricity
3. Swimming pool filters

The unit may be installed in virtually any **outdoor** location as long as the specified minimum distances to other objects are maintained. Please consult your installer for installation with an indoor pool.

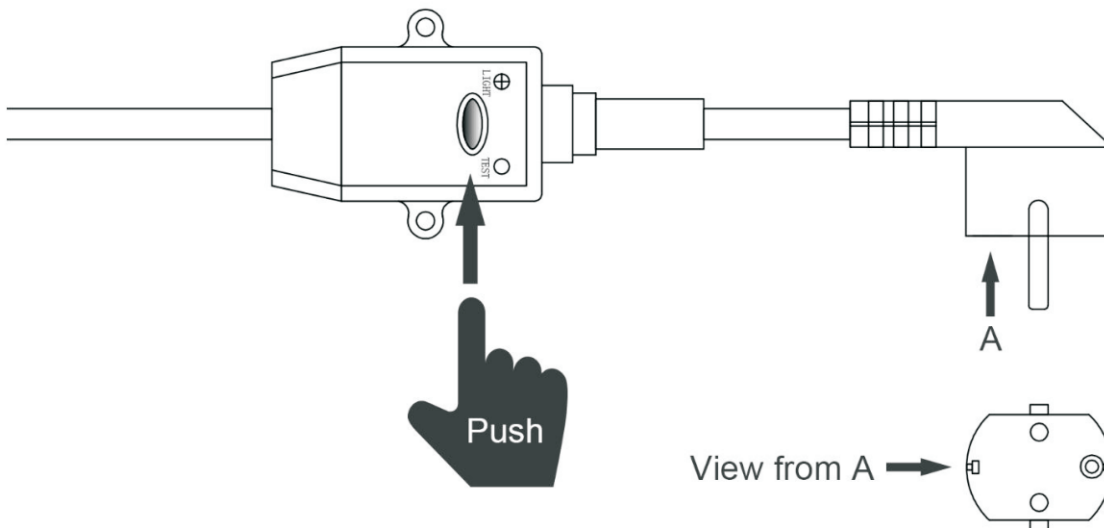
**ATTENTION:** Never install the unit in a closed room with a limited air volume in which the air expelled from the unit will be reused, or close to shrubbery that could block the air inlet. Such locations impair the continuous supply of fresh air, resulting in reduced efficiency and possibly preventing sufficient heat output.

### 3.2 Initial operation

**Note:** In order to heat the water in the pool (or hot tub), the filter pump must be running to cause the water to circulate through the heat pump. The heat pump will not start up if the water is not circulating.

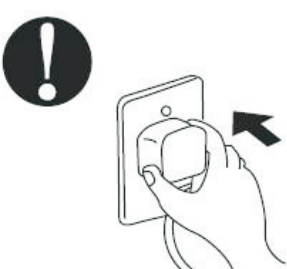
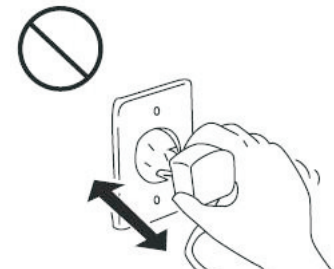
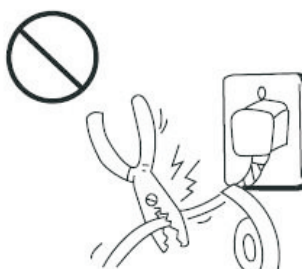
### 3.3 Electrical connection

Before connecting the unit, verify that the supply voltage matches the operating voltage of the heat pump.




The RCD plug has been included with power cable, which can offer electrical protection.

#### **Attention:**

<p><b>Ensure the power plug is secure</b></p> <p>If the plug is not secure, it may cause an electric shock, over-heating or fire</p> 	<p><b>Never pull out the power plug during operation</b></p> <p>Otherwise, it may cause an electric shock or a fire due to over-heating.</p> 	<p><b>Never use damaged electric wires or unspecified electric wires.</b></p> <p>Otherwise it may cause an electric shock or a fire.</p> 
--	--	--

After all connections have been made and checked, carry out the following procedure:

1. Switch on the filter pump. Check for leaks and verify that water is flowing from and to the swimming pool.
2. Connect power to the heat pump and press the On/Off button  on the electronic control panel. The unit will start up after the time delay expires (see below).
3. After a few minutes, check whether the air blowing out of the unit is cooler.
4. When turn off the filter pump, the unit should also turn off automatically.

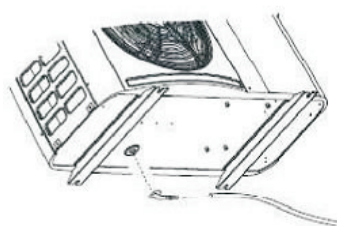
Depending on the initial temperature of the water in the swimming pool and the air temperature, it may take some time to heat the water to the desired temperature. A good swimming pool cover can dramatically reduce the required length of time.

**Time delay** - The heat pump has a built-in 3-minute start-up delay to protect the circuitry and avoid excessive contact wear. The unit will restart automatically after this time delay expires.

If first power on or additional power interruptions, the heat pump starts 10s later after pressing 'ON/OFF' button.

### 3.4 Condensation

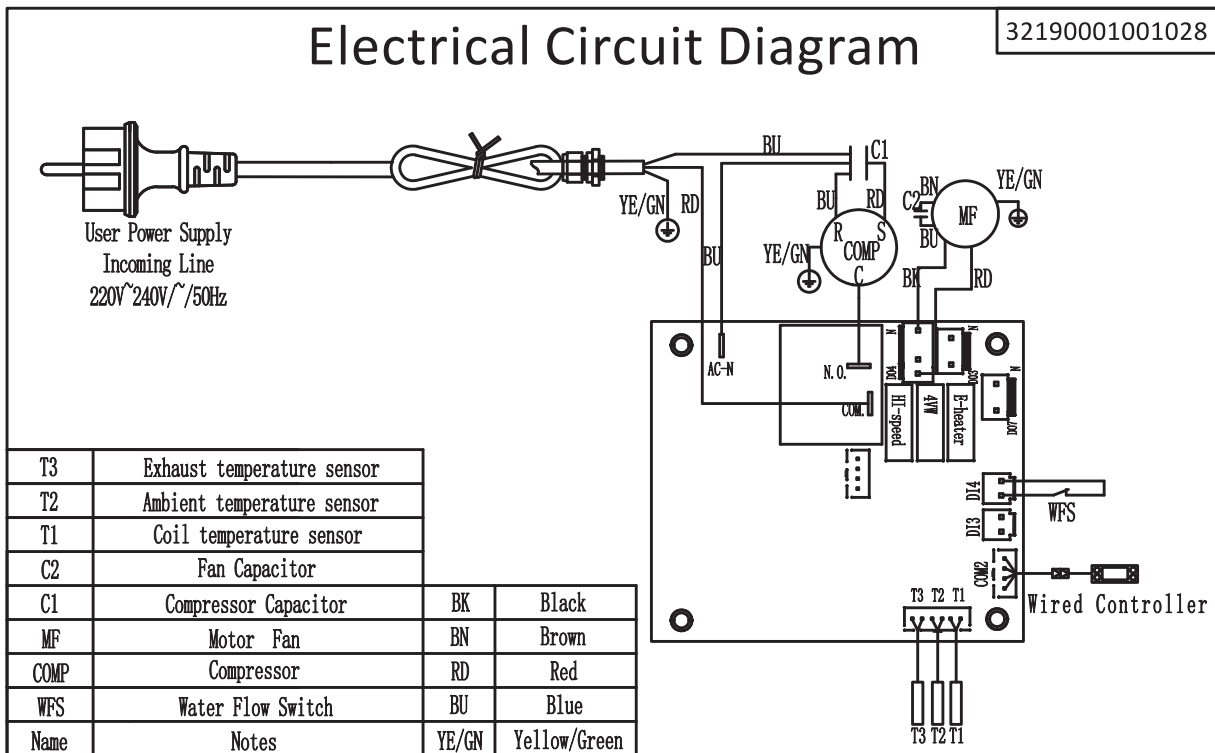
The air drawn into the heat pump is strongly cooled by the operation of the heat pump for heating the pool water, which may cause condensation on the fins of the evaporator. The amount of condensation may be as much as several liters per hour at high relative humidity. This is sometimes mistakenly regarded as a water leak. Please you can use the drainage jet and hose at the bottom of machine to drain the condensation water. See below.



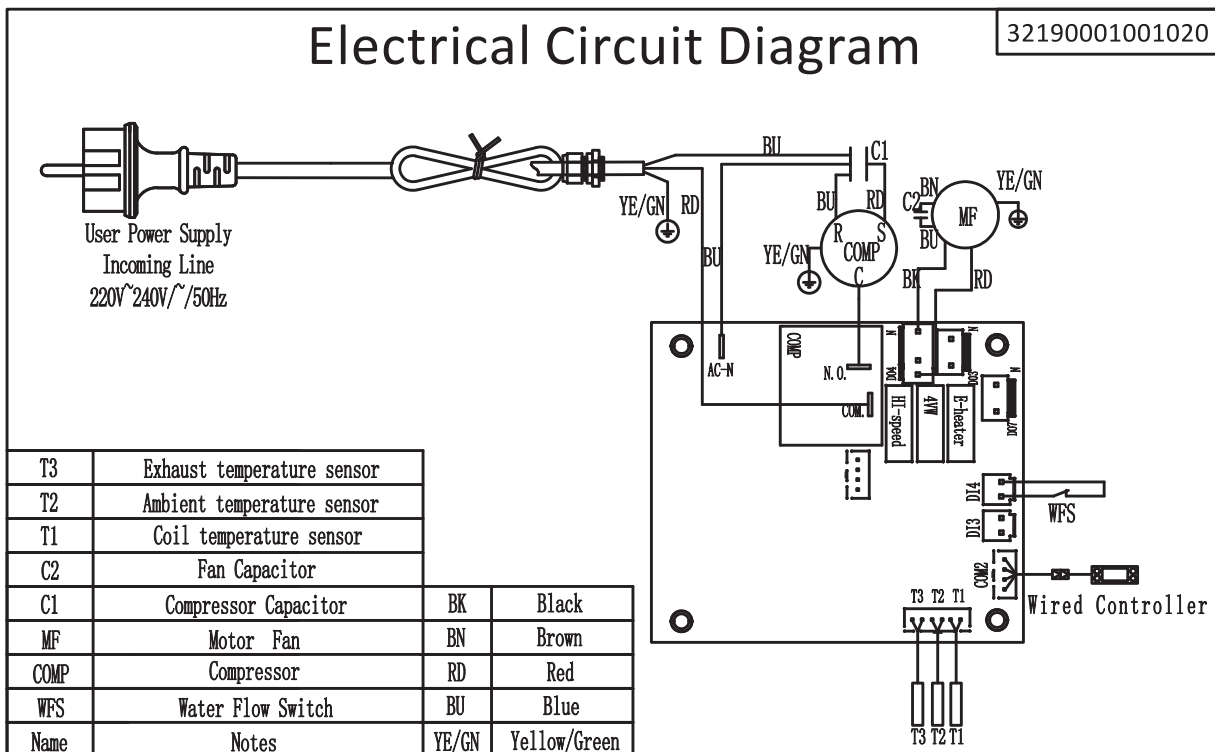
## 4. Electrical wiring

### 4.1 Swimming pool heat pump wiring diagram

#### 4.1.1 WMP-003-2



#### 4.1.2 WMP-004-2/005-2



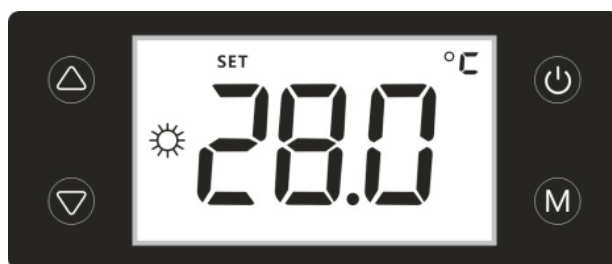
**NOTE:**

- (1) Above electrical wiring diagram only for your reference, please subject machine posted the wiring diagram.
- (2) The swimming pool heat pump must be connected ground wire well, although the unit heat exchanger is electrically isolated from the rest of the unit. Grounding the unit is still required to protect you against short circuits inside the unit. Bonding is also required.










**Disconnect:** A disconnect means (circuit breaker, fused or un-fused switch) should be located within sight of and readily accessible from the unit. This is common practice on commercial and residential heat pumps. It prevents remotely-energizing unattended equipment and permits turning off power at the unit while the unit is being serviced.

## 5. Display controller operation




### 5.1 The interface of LED wire controller



## 5.2 Instructions for buttons on the remote control

Name/Icon	Functional Description			
On/Off key 	<ul style="list-style-type: none"> <li>• Press and hold for 1 second to turn the system on/off.</li> <li>• In query mode, press this button to return to the main interface.</li> <li>• In setting mode, press this button to return to the main interface.</li> <li>• If no operation is performed on the controller for 60 seconds, it will automatically:               <ol style="list-style-type: none"> <li>1. Return to the main interface,</li> <li>2. Turn off the screen, and</li> <li>3. Lock the screen.</li> </ol> </li> <li>• On the main interface, when locked, press and hold for 3 seconds to unlock.</li> </ul>			
	Mode key 	<ul style="list-style-type: none"> <li>• On the main interface, press and hold for 5 seconds to enter the parameter interface (read-only).</li> <li>• When powered on, the system can switch between Auto, Cooling, and Heating modes, depending on the model.</li> <li>• In parameter query mode, you can access or save parameters.</li> </ul>		
	Up key 	<ul style="list-style-type: none"> <li>• On the main interface and when powered on, press to set the temperature.</li> <li>• On the main interface, press and hold for 3 seconds to enter query mode.</li> <li>• In query mode, press to toggle and view serial numbers.</li> <li>• In parameter setting mode, use the mode key and press to modify parameters.</li> <li>• Modify timer settings.</li> </ul>		
		Down key 	<ul style="list-style-type: none"> <li>• On the main interface and when powered on, press to set the temperature or curve.</li> <li>• On the main interface, press and hold for 3 seconds to enter query and maintenance mode.</li> <li>• In query mode, press to toggle and view serial numbers.</li> <li>• In parameter setting mode, use the mode key and press to modify parameters.</li> <li>• Modify timer settings.</li> </ul>	
			Switch + Mode 	Press and hold for 3 seconds to enter the timing time setting, and the clock symbol lights up.
			Switch + Up button 	Press and hold for 5 seconds to enter manual intelligent network connection
	Switch + Down key 	Press and hold for 5 seconds to enter manual AP network connection		
Mode+Down 	On the main interface, press and hold for 5 seconds to turn defrost on or off.			
	Within 5 minutes of powering on, on the shutdown screen, press and hold for 10 seconds to enter or exit refrigerant charging.			
Up key + Down key 	Press and hold for 3 seconds to switch between Celsius and Fahrenheit			

### 5.3 Instructions for LCD display of wire controller

symbol	state	Function or meaning	Remark
	Off	Currently in shutdown or non-heating mode	Display on/off status
	Always on	Currently in on-heating mode	Display on/off status
SET	Always on	Representative settings	
°C	Always on	Display temperature in Celsius	
°F	Always on	Display temperature in Fahrenheit	
	Always on	Display of actual value, set value and fault code	

### 5.4 Operation Modes

#### Heating Mode

This unit is specifically designed for heating purposes, with optimized energy efficiency for cold environments.

- **Temperature Setting**

- Heating return water temperature range: 8°C (46°F) ~ 40°C (104°F).
- Adjust the settings as per your comfort and heating needs.

### 5.5 System Protection

To ensure safe and reliable operation, the system is equipped with multiple protection mechanisms:

#### 5.5.1 Low Ambient Temperature Protection

- When the ambient temperature is  $\leq 9^{\circ}\text{C}$ , the system stops operation and displays fault code E44.
- Normal operation will resume automatically when the ambient temperature rises to  $\geq 11^{\circ}\text{C}$ .

#### 5.5.2 High Ambient Temperature Protection

- When the ambient temperature is  $\geq 43^{\circ}\text{C}$ , the system stops operation and displays fault code E44.
- Normal operation will resume when the ambient temperature drops to  $\leq 41^{\circ}\text{C}$ .

#### 5.5.3 Water Inlet Temperature Sensor Failure

- If the water inlet temperature sensor is detected to be short-circuited or open-circuited, the system shuts down for protection and displays fault code **E15**.

#### 5.5.4 Ambient Temperature Sensor Failure

- If the ambient temperature sensor is detected to be short-circuited or open-circuited, the system operates normally but displays fault code **E21**.

#### 5.5.5 Coil Temperature Sensor Failure

- If the coil temperature sensor is detected to be short-circuited or open-circuited, the system operates normally but displays fault code **E16**.

## 5.6 Water Flow Switch Failure

The system monitors the water flow switch to ensure proper operation:

### 5.6.1 Detection Settings:

F47 = 0: Closed switch indicates fault.

F47 = 1: Open switch indicates fault.

F47 = 2: No fault detection for the water flow switch.

### 5.6.2 Fault Detection:

- After the circulating pump runs for 10 seconds, the water flow switch is checked. If the switch
- remains in a fault state for 3 seconds, the unit stops and displays a fault code.

### 5.6.3 Fault Reset:

- The system stops the pump for 60 seconds, then restarts it to check if the switch is normal.
- If normal, the unit resumes operation. If not, a fault count is recorded.

### 5.6.4 Protection Mechanism:

- If the water flow switch fault occurs 3 times within 1 hour, the pump will stop cycling, and a fault code will remain displayed.

### 5.6.5 Restoration:

- The fault can be resolved by restoring the water flow switch or resetting the power.

## 5.7 Other Features

Power-Off Protection Function

- System parameters can be pre-set and are stored even during power outages.
- Depending on the unit's design, the power-on/off status and electric heating status may also be stored.
- After an abnormal shutdown or power outage, the system will either:
  - Enter standby mode upon restart, or
  - Resume the state prior to the power outage.

## 5.8 Fault code and parameter setting table:

Fault code & parameter setting table

### System Fault (LED):

Protection/Fault	Remote Controller
Water inlet temperature sensor failure	E15
Ambient temperature sensor failure	E21
Pool low temperature protection	E44
Swimming pool high temperature protection	E44
Coil temperature sensor failure	E16
Water flow failure	E03

## 5.9 Operation Status Table

Status Name	Display Label	Remark
Fluorine cycle/water cycle	00	0 = water cycle; 1 = fluorine cycle
Water flow switch	03	0 = open; 1 = closed
Coil temperature value	05	Measured value
Ambient temperature value	06	Measured value
Inlet water temperature	09	Display value = measured value + compensation value
compressor	11	0 = stop; 1 = run
Four-way valve	12	0 = stop; 1 = run
High speed wind	13	0 = stop; 1 = run
Accumulated compressor operation time before defrosting	17	Measured value
Current model tooling value	19	Tooling 0

## 6. Trouble shooting

Malfunction	Code	Reason	Solution
Water temperature sensor failure	E15	Water temperature sensor open circuit or short circuit.	1. Check the sensor wiring. 2. Replace the new water temperature sensor.
Piping temperature sensor failure	E16	Piping temperature sensor open circuit or short circuit.	1. Check the sensor wiring. 2. Replace the new piping temperature sensor.
Ambient temperature sensor failure	E21	Ambient temperature sensor open circuit or short circuit.	1. Check the sensor wiring. 2. Replace the new water temperature.
Too low or too high ambient temperature protection	E44	1. Ambient temperature is out of operating range:11°C-42°C. 2. Controller failure.	1. Wait the ambient temperature rising to 13°C or cooling down to 40°C to restart. 2. Replace the new controller.
Water flow failure	E03	1. Insufficient or no water flow. 2. The wiring for water flow switch is in loose situation.	1. Check the water pump or water piping system. 2. Check the wiring or change a new water flow switch.

## **7. Maintenance**

- (1) You should check the water supply system regularly to avoid the air entering the system and occurrence of low water flow, because it would reduce the performance and reliability of HP unit.
- (2) Clean your pools and filtration system regularly to avoid the damage of the unit as a result of the dirty of clogged filter.
- (3) You should discharge the water from heat pump if it will stop running for a long time (especially during the winter season).
- (4) In another way, you should check the unit is water fully before the unit start to run again.
- (5) When the unit is running, there is all the time a little water discharge under the unit.

## DUTCH VERSION

### Gefluoreerd broeikasgas -(R32)

Het apparaat bevat het gefluoreerde broeikasgas (R32) dat nodig is voor de werking van het apparaat.

Industriële benaming	HFC-32
Gebruikelijke benaming	R32
Aardopwarmingsvermogen (GWP)	675

Meer informatie is te vinden op het apparaat zelf of in de specificaties.



### **WAARSCHUWING!**

#### **Brand- en explosiegevaar door lekkende warmtewisselaar met lamellen!**

Het koelmiddelcircuit van de lamellenwarmtewisselaar bevat sterk onder druk staand, licht ontvlambaar, reukloos gas. Brand- en explosiegevaar bij ongecontroleerde gaslekage.

- Het vullen van gas moet worden uitgevoerd door een professional met een R32-licentie.
- Houd de warmtepomp uit de buurt van warmtebronnen en open vuur.
- Boor niet in de warmtepomp en schroei plek er niet in.
- Gebruik geen andere voorwerpen dan toegestaan door de fabrikant om het ontdooiproces te versnellen.
- Schakel de warmtepomp onmiddellijk uit als u een gaslek vermoedt.
- Het koelmiddel is geurloos. Houd ontstekingsbronnen altijd uit de buurt van de installatieplaats van de warmtepomp.
- Neem contact op met een erkend expert als u een gaslek vermoedt.



### **WAARSCHUWING!**

#### **Risico op elektrische schokken!**

Een defecte elektrische installatie of een te hoge netspanning kan leiden tot elektrische schokken.

- Laat de installatie, de eerste inbedrijfstelling en het onderhoud van de warmtepomp alleen uitvoeren door een erkende monteur.
- Onderbreek altijd de stroomtoevoer als je de kast wilt openen om bij de warmtepomp te kunnen, want er zit hoogspanning in.
- Begin pas met werkzaamheden aan de warmtepomp nadat u alle veiligheidsvoorschriften hebt gecontroleerd.
- Sluit de warmtepomp alleen aan als de netspanning van het stopcontact overeenkomt met de spanning op het typeplaatje.

- Gebruik de warmtepomp niet als er zichtbare schade is of als het netsnoer of de netstekker defect is.
- Open de behuizing niet. Laat reparaties over aan gekwalificeerde specialisten. Aansprakelijkheid en garantieclaims zijn uitgesloten bij zelf uitgevoerde reparaties, onjuiste bediening.
- Zorg ervoor dat kinderen geen voorwerpen in het ventilatorblad en de warmtepomp steken.
- Zorg ervoor dat het elektrische systeem waarop de warmtepomp is aangesloten een aardleiding heeft.
- Als de unit wordt geïnstalleerd op plaatsen die gevoelig zijn voor blikseminslag, moeten er bliksembeveiligingsmetingen worden uitgevoerd.

 **LET OP!**

- De fabrikant wijst elke verantwoordelijkheid af voor schade veroorzaakt aan personen, voorwerpen en voor fouten die te wijten zijn aan de installatie die niet overeenstemt met de richtlijnen van de handleiding. Elk gebruik dat niet conform is aan oorsprong van de fabricage zal als gevaarlijk worden beschouwd.
- Houd de warmtepomp altijd op een goed geventileerde plaats en uit de buurt van alles wat brand kan veroorzaken.
- Las de pijp niet als er koelmiddel in de machine zit. Houd de machine uit de besloten ruimte wanneer u gas laat vullen door een bevoegd technicus.
- Laat het water in de warmtepomp altijd leeglopen in de winter of wanneer de omgevingstemperatuur onder 0°C zakt, anders raakt de titaniumwisselaar beschadigd door bevriezing en de garantie op dit apparaat.

**\* INDEX**

- 1. Specificaties**
- 2. Afmeting**
- 3. Installatie en aansluiting**
- 4. Elektrische bedrading**
- 5. Bediening van de displaycontroller**
- 6. Problemen oplossen**
- 7. Onderhoud**

# 1. Specificaties

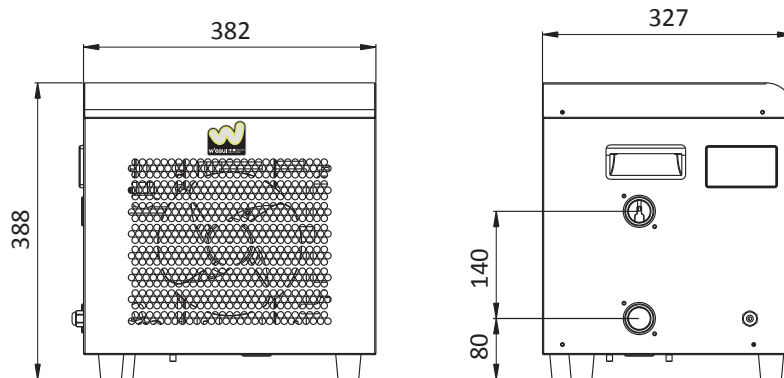
## 1.1 Technische gegevens zwembadwarmtepompen

Modelnr.	WMP-003-2	WMP-004-2	WMP-005-2
<b>* Verwarmingscapaciteit bij lucht 26°C , vochtigheid 80%, water 26°C in, 28°C uit</b>			
Verwarmingscapaciteit (kW)	3.00	4.00	5.02
Opgenomen vermogen (kW)	0.58	0.77	0.97
COP	5.17	5.20	5.17
<b>* Verwarmingscapaciteit bij lucht 15°C , vochtigheid 70%, water 26°C in, 28°C uit</b>			
Verwarmingscapaciteit (kW)	2.30	2.95	3.85
Opgenomen vermogen (kW)	0.55	0.70	0.92
COP	4.18	4.20	4.18
<b>* Algemene gegevens</b>			
Stroomvoorziening	220~240V/1/50Hz		
Max. opgenomen vermogen (kW)	0.95	1.28	1.55
Maximum Stroom (A)	4.2	5.6	7.0
Debiet water (m <sup>3</sup> /h)	1.5	2.0	2.5
Geadviseerde bassin grootte m <sup>3</sup> (Met zwembadafdekking)	0~10	5~16	8~20
Koelmiddel	R32		
Warmtewisselaar	Geschroefde titanium buis		
Wateraansluiting (mm)	32/38		
Luchtstroomrichting	Horizontaal		
Soort ontdooien	door 4-wegklep		
Watertemp. in verwarming (°C )	15~40		
Watertemp. in koeling (°C )	N.V.T.		
Temperatuurbereik (°C )	11~43		
Materiaal behuizing	Metaal		
Waterdichtheid	IPX4		
Geluidsniveau dB(A) 10m	45	46	48
Geluidsniveau dB(A) 1m	53	53	55
Nettogewicht (kg)	21	22	28
Brutogewicht (kg)	23	24	30
Netto Afmetingen (mm)	382*327*388		420*350*469
Afmetingen verpakking (mm)	440*400*420		475*430*510

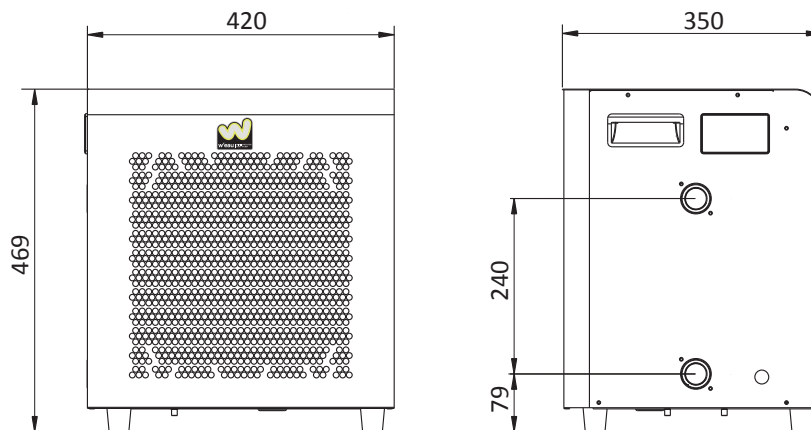
\*Bovenstaande gegevens kunnen zonder voorafgaande kennisgeving worden gewijzigd.

## 2. Afmeting (mm)

### 2.1 WMP-003-2/004-2



### 2.2 WMP-005-2



## 3. Installatie en aansluiting

### Attentie:

Neem de volgende regels in acht bij het installeren van de warmtepomp:

1. Toevoeging van chemicaliën moet plaatsvinden in de leidingen **stroomafwaarts** van de warmtepomp.
2. Houd de warmtepomp altijd rechtop. Als het apparaat schuin is gehouden, wacht dan minstens 24 uur voordat u de warmtepomp start.

### 3.1 Locatie warmtepomp

Het apparaat werkt naar behoren op elke gewenste locatie zolang de volgende drie items aanwezig zijn:

- 1. Frisse lucht** – **2. Elektriciteit** – **3. Filters voor zwembaden**

De unit kan op vrijwel elke buitenlocatie worden geïnstalleerd zolang de opgegeven minimumafstand tot andere objecten wordt aangehouden. Raadpleeg uw installateur voor installatie bij een binnenzwembad.

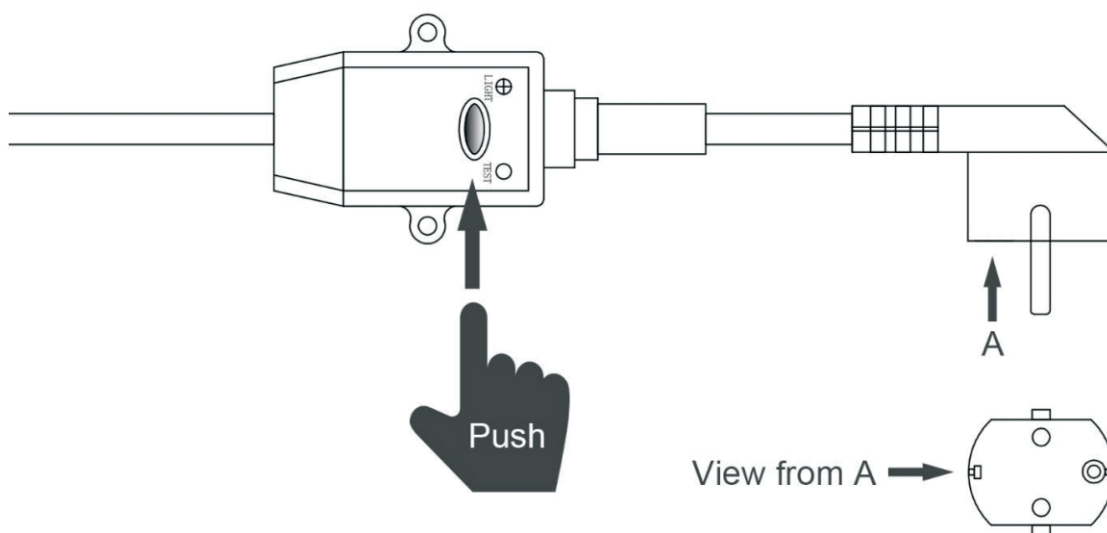
**ATTENTIE:** Installeer het apparaat nooit in een gesloten ruimte met een beperkt luchtvolume waarin de lucht die uit het apparaat wordt geblazen opnieuw wordt gebruikt, of in de buurt van struiken die de luchtinlaat kunnen blokkeren. Dergelijke locaties belemmeren de continue toevoer van verse lucht, wat leidt tot een lager rendement en mogelijk tot onvoldoende warmteafgifte.

### 3.2 Eerste gebruik

**Opmerking:** Om het water in het zwembad (of bubbelbad) te verwarmen, moet de filterpomp draaien om het water door de warmtepomp te laten circuleren. De warmtepomp zal niet opstarten als het water niet circuleert.

### 3.3 Elektrische aansluiting

Controleer voordat u de unit aansluit of de voedingsspanning overeenkomt met de bedrijfsspanning van de warmtepomp.




De RCD-stekker is meegeleverd met de voedingskabel, die elektrische bescherming kan bieden.

#### **Attentie:**


<p><b>Controleer of de stekker goed vastzit</b></p> <p>Als de stekker niet goed vastzit, kan dit een elektrische schok, oververhitting of brand veroorzaken.</p> 	<p><b>Trek de stekker nooit uit tijdens het gebruik</b></p> <p>Anders kan dit leiden tot een elektrische schok of brand door oververhitting.</p> 	<p><b>Gebruik nooit beschadigde elektrische draden of niet-gespecificeerde elektrische draden.</b></p> <p>Anders kan dit een elektrische schok of brand veroorzaken.</p> 
--	--	--

Voer de volgende procedure uit nadat alle aansluitingen zijn gemaakt en gecontroleerd:

1. Zet de filterpomp aan. Controleer op lekken en controleer of er water van en naar het zwembad stroomt.
2. Sluit de stroom aan op de warmtepomp en druk op de aan/uit-knop  op het elektronische bedieningspaneel. De unit zal opstarten nadat de tijdvertraging is verstreken (zie hieronder).
3. Controleer na een paar minuten of de lucht die uit het apparaat blaast koeler is.
4. Als je de filterpomp uitschakelt, moet het apparaat ook automatisch uitschakelen.

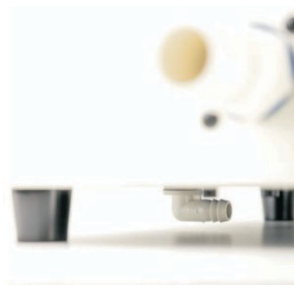
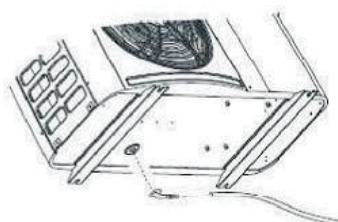
Afhankelijk van de begintemperatuur van het water in het zwembad en de luchttemperatuur kan het enige tijd duren om het water op de gewenste temperatuur te brengen. Een goede zwembadafdekking kan de benodigde tijd drastisch verkorten.

**Tijdvertraging** - De warmtepomp heeft een ingebouwde startvertraging van 3 minuten om het circuit te beschermen en overmatige slijtage van de contacten te voorkomen. De unit start automatisch opnieuw op nadat deze tijdvertraging is verstreken.

Bij eerste inschakeling of extra stroomonderbrekingen start de warmtepomp 10s later na het indrukken van  . knop.

### 3.4 Condensatie

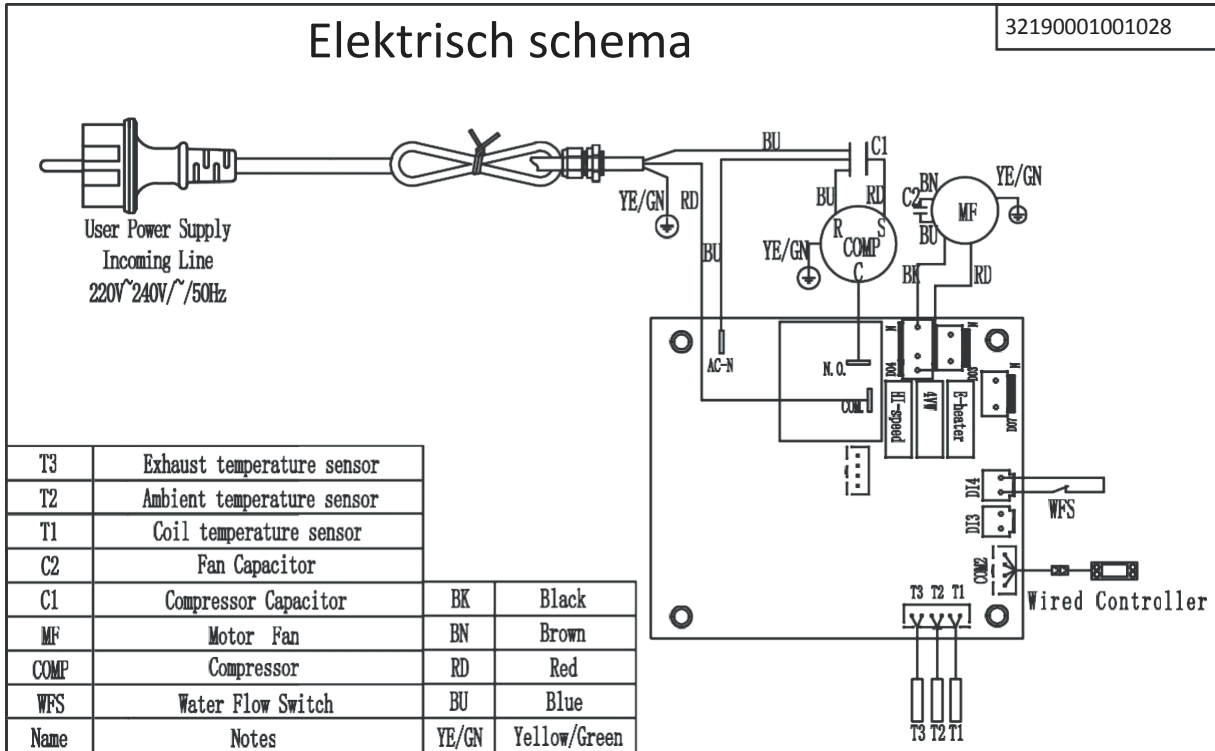
De lucht die in de warmtepomp wordt gezogen, wordt sterk afgekoeld door de werking van de warmtepomp voor het verwarmen van het zwembadwater, wat condensatie op de lamellen van de verdamper kan veroorzaken. De hoeveelheid condensatie kan oplopen tot enkele liters per uur bij een hoge relatieve vochtigheid. Dit wordt soms ten onrechte beschouwd als een waterlek. U kunt de afvoerstraal en de slang aan de onderkant van de machine gebruiken om het condenswater af te voeren. Zie hieronder.



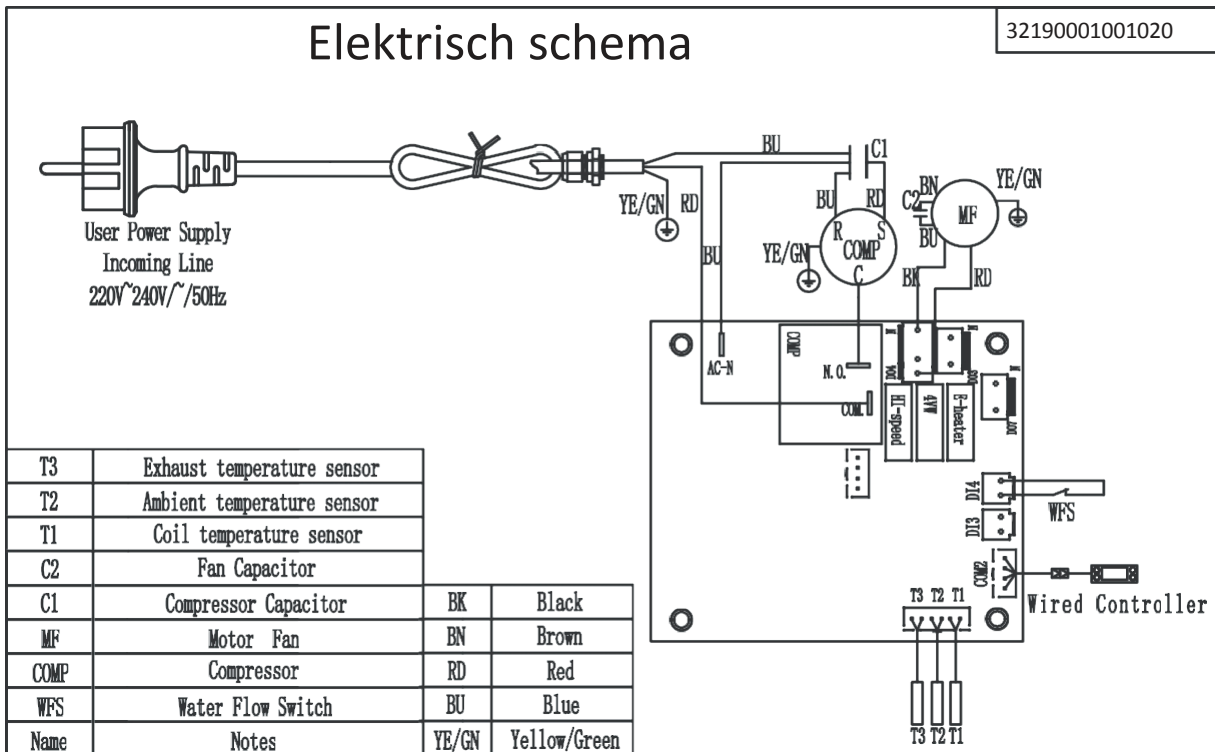
## 4. Elektrische bedrading

### 4.1 Aansluitschema warmtepomp zwembad

#### 4.1.1 WMP-003-2



#### 4.1.2 WMP-004-2/005-2



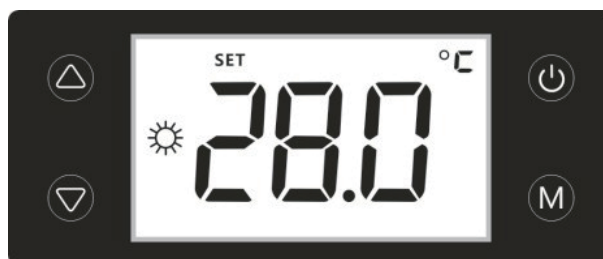
#### OPMERKING:

- (1) Bovenstaand elektrisch aansluitschema is alleen ter referentie, gelieve de machine te raadplegen die het aansluitschema heeft geplaatst.
- (2) De zwembadwarmtepomp moet goed geaard worden, hoewel de warmtewisselaar van de unit elektrisch geïsoleerd is van de rest van de unit. Aarding van de unit is nog steeds nodig om je te beschermen tegen kortsluiting in de unit. Bonding is ook vereist.








**Uitschakelen:** Een uitschakelmiddel (stroomonderbreker, gezeekerde of niet-gezeekerde schakelaar) moet zich in het zicht van en gemakkelijk bereikbaar vanaf de unit bevinden. Dit is gebruikelijk bij commerciële en residentiële warmtepompen. Het voorkomt dat onbeheerde apparatuur op afstand van stroom wordt voorzien en maakt het mogelijk om de stroom naar de unit uit te schakelen terwijl de unit wordt onderhouden.



## 5. Bediening van de displaycontroller

### 5.1 De interface van LED-draadregelaar





## 5.2 Instructies voor knoppen op de afstandsbediening

Naam / Pictogram	Functionele beschrijving
Aan/uit-toets 	<ul style="list-style-type: none"> <li>• 1 seconde ingedrukt houden om het systeem in of uit te schakelen.</li> </ul>
	<ul style="list-style-type: none"> <li>• Druk in de vraagmodus op deze knop om terug te keren naar de hoofdinterface.</li> </ul>
	<ul style="list-style-type: none"> <li>• Druk in de instellingsmodus op deze knop om terug te keren naar de hoofdinterface.</li> </ul>
	<ul style="list-style-type: none"> <li>• Als er gedurende 60 seconden geen bediening wordt uitgevoerd op de controller, wordt deze automatisch uitgeschakeld:</li> </ul>
	<ol style="list-style-type: none"> <li>1. Ga terug naar de hoofdinterface,</li> <li>2. Schakel het scherm uit en</li> <li>3. Vergrendel het scherm.</li> </ol>
	<ul style="list-style-type: none"> <li>• Houd op de hoofdinterface, wanneer deze vergrendeld is, 3 seconden ingedrukt om te ontgrendelen.</li> </ul>
Modusknop 	<ul style="list-style-type: none"> <li>• Houd in de hoofdinterface 5 seconden ingedrukt om de parameterinterface (alleen-lezen) te openen.</li> </ul>
	<ul style="list-style-type: none"> <li>• Wanneer het systeem is ingeschakeld, kan het schakelen tussen de modi Auto, Koelen en Verwarmen, afhankelijk van het model.</li> </ul>
	<ul style="list-style-type: none"> <li>• In de parameterzoekmodus kunt u parameters openen of opslaan.</li> </ul>
Toets omhoog 	<ul style="list-style-type: none"> <li>• Druk op de hoofdinterface en wanneer ingeschakeld om de temperatuur in te stellen.</li> </ul>
	<ul style="list-style-type: none"> <li>• Houd op de hoofdinterface gedurende 3 seconden ingedrukt om naar de opvraagmodus te gaan.</li> </ul>
	<ul style="list-style-type: none"> <li>• Druk in de zoekmodus op om te schakelen tussen serienummers en deze te bekijken.</li> </ul>
	<ul style="list-style-type: none"> <li>• In de parameterinstelmodus gebruikt u de modusknop en drukt u op om de parameters te wijzigen.</li> </ul>
	<ul style="list-style-type: none"> <li>• Timerinstellingen wijzigen.</li> </ul>
Omlaag toets 	<ul style="list-style-type: none"> <li>• Druk op de hoofdinterface en wanneer ingeschakeld om de temperatuur of curve in te stellen.</li> </ul>
	<ul style="list-style-type: none"> <li>• Houd op de hoofdinterface 3 seconden ingedrukt om de vraag- en onderhoudsmodus te openen.</li> </ul>
	<ul style="list-style-type: none"> <li>• Druk in de zoekmodus op om te schakelen tussen serienummers en deze te bekijken.</li> </ul>
	<ul style="list-style-type: none"> <li>• In de parameterinstelmodus gebruikt u de modusknop en drukt u op om de parameters te wijzigen.</li> </ul>
	<ul style="list-style-type: none"> <li>• Timerinstellingen wijzigen.</li> </ul>
Schakel naar+ modus 	Houd 3 seconden ingedrukt om de tijdstelling te openen en het kloksymbool licht op.
Schakelaar+ Knop Omhoog 	5 seconden ingedrukt houden om handmatige intelligente netwerkverbinding te activeren
Schakelaar+ Omlaag toets 	5 seconden ingedrukt houden om naar handmatige AP-netwerkverbinding te gaan

<p>Modus+Down</p> 	<p>Houd op de hoofdinterface 5 seconden ingedrukt om ontdooien in of uit te schakelen.</p> <p>Houd binnen 5 minuten na het inschakelen op het uitschakelscherm 10 seconden ingedrukt om het laden van koelmiddel te starten of te stoppen.</p>
<p>Omhoog toets+ Omlaag toets</p> 	<p>3 seconden ingedrukt houden om te schakelen tussen Celsius en Fahrenheit</p>

### 5.3 Instructies voor LCD-scherm van draadregelaar

symbool	staat	Functie of betekenis	Opmerking
	Uit	Momenteel in uitschakel- of niet-verwarmingsmodus	Status aan/uit weergeven
	Altijd aan	Momenteel in verwarmingsmodus	Status aan/uit weergeven
SET	Altijd aan	Representatieve instellingen	
°C	Altijd aan	Temperatuur weergeven in Celsius	
°F	Altijd aan	Temperatuur weergeven in Fahrenheit	
28.0	Altijd aan	Weergave van actuele waarde, ingestelde waarde en foutcode	

### 5.4 Bedieningsmodi

#### Verwarmingsmodus

Deze unit is speciaal ontworpen voor verwarmingsdoeleinden, met geoptimaliseerde energie-efficiëntie voor koude omgevingen.

#### • Temperatuurinstelling

- Temperatuurbereik verwarmingsretourwater: 8 °C (46 °F) ~ 40 °C (104 °F).
- Pas de instellingen aan volgens je comfort en verwarmingsbehoeften.

### 5.5 Systeembeveiliging

Voor een veilige en betrouwbare werking is het systeem uitgerust met meerdere beveiligingsmechanismen:

#### 5.5.1 Bescherming tegen lage omgevingstemperaturen

- Wanneer de omgevingstemperatuur  $9 \leq$  °C is, stopt het systeem met werken en wordt foutcode E44 weergegeven. • De normale werking wordt automatisch hervat wanneer de omgevingstemperatuur stijgt tot  $\geq 11$  . °C

#### 5.5.2 Bescherming tegen hoge omgevingstemperaturen

- Wanneer de omgevingstemperatuur  $\geq 43$  °C is, stopt het systeem met werken en wordt foutcode E44 weergegeven. • De normale werking wordt hervat wanneer de omgevingstemperatuur daalt tot  $\leq 41$  . °C

#### 5.5.3 Storing waterinlaatteratuursensor

- Als wordt gedetecteerd dat de waterinlaatteratuursensor is kortgesloten of opengesloten, het systeem uitgeschakeld ter bescherming en wordt foutcode **E15** weergegeven.

#### 5.5.4 Storing in omgevingstemperatuursensor

- Als wordt gedetecteerd dat de omgevingstemperatuursensor is kortgesloten of opengesloten, werkt het systeem normaal maar wordt foutcode **E21** weergegeven.

#### 5.5.5 Storing bobinetemperatuursensor

- Als wordt gedetecteerd dat de bobinetemperatuursensor kortgesloten of opengesloten is, werkt het systeem normaal maar wordt foutcode **E16** weergegeven.

## 5.6 Storing waterstromingsschakelaar

Het systeem bewaakt de waterstromingsschakelaar om een goede werking te garanderen:

### 5.6.1 Detectie-instellingen:

F47= 0: Gesloten schakelaar geeft fout aan.

F47 = 1: Open schakelaar geeft fout aan.

F47= 2: Geen foutdetectie voor de waterstromingsschakelaar.

### 5.6.2 Foutdetectie:

• Nadat de circulatiepomp 10 seconden heeft gedraaid, wordt de waterstromingsschakelaar gecontroleerd. Als de schakelaar gedurende 3 seconden in een storingstoestand blijft, stopt de unit en wordt er een foutcode weergegeven.

### 5.6.3 Foutreset:

• Het systeem stopt de pomp 60 seconden en start hem dan opnieuw om te controleren of de schakelaar normaal is. • Als de schakelaar normaal is, wordt de werking hervat. Zo niet, dan wordt een fouttelling geregistreerd.

### 5.6.4 Beschermingsmechanisme:

• Als de storing in de waterstromingsschakelaar 3 keer binnen 1 uur optreedt, stopt de pomp met draaien en blijft er een foutcode op het display staan.

### 5.6.5 Restauratie:

• De storing kan worden verholpen door de waterstromingsschakelaar te herstellen of de stroom opnieuw in te stellen.

## 5.7 Andere kenmerken

Beveiligingsfunctie voor uitschakelen

- Systeemparameters kunnen vooraf worden ingesteld en worden opgeslagen, zelfs als de stroom uitvalt.
- Afhankelijk van het ontwerp van de unit kunnen ook de aan/uit-status en de status van de elektrische verwarming worden opgeslagen. • Na een abnormale uitschakeling of stroomonderbreking zal het systeem ofwel:
  - De stand-bymodus activeren na opnieuw opstarten, of
  - Hervat de toestand van voor de stroomstoring.

## 5.8 Tabel met foutcodes en parameterinstellingen:

Tabel met foutcodes en parameterinstellingen

### Systeemstoring (LED):

Bescherming/Fout	Afstandsbediening
Storing waterinlaattertemperatuursensor	E15
Storing in omgevingstemperatuursensor	E21
Zwembad lage temperatuurbeveiliging	E44
Zwembadbescherming tegen hoge temperaturen	E44
Storing boilertertemperatuursensor	E16
Storing watertoevoer	E03

## 5.9 Bedrijfsstatustabel

Status Naam	Label weergeven	Opmerking
Fluorcyclus/watercyclus	00	0= watercyclus; 1= fluorcyclus
Waterstromingsschakelaar	03	0= open; 1= gesloten
Waarde spoeltemperatuur	05	Gemeten waarde
Waarde omgevingstemperatuur	06	Gemeten waarde
Temperatuur inlaatwater	09	Displaywaarde = gemeten waarde + compensatiewaarde
compressor	11	0 = stop; 1= run
Vierwegklep	12	0 = stop; 1= run
Wind met hoge snelheid	13	0 = stop; 1= run
Gecumuleerde werkingsduur van de compressor vóór ontdoien	17	Gemeten waarde
Huidige model gereedchapswaarde	19	Gereedschap 0

## 6. Problemen oplossen

Storing	Code	Reden	Oplossing
Storing watertemperatuur sensor	E15	Watertemperatuursensor open circuit of kortsluiting.	<ol style="list-style-type: none"> <li>1. Controleer de bedrading van de sensor.</li> <li>2. Vervang de nieuwe watertemperatuursensor.</li> </ol>
Storing in sensor voor buistemperatuur	E16	Leidingtemperatuursensor open circuit of kortsluiting.	<ol style="list-style-type: none"> <li>1. Controleer de bedrading van de sensor.</li> <li>2. Vervang de nieuwe sensor voor de leidingtemperatuur.</li> </ol>
Storing in omgevingstemperatuursensor	E21	Omgevingstemperatuursensor open circuit of kortsluiting.	<ol style="list-style-type: none"> <li>1. Controleer de bedrading van de sensor.</li> <li>2. Vervang de nieuwe watertemperatuur.</li> </ol>
Bescherming tegen te lage of te hoge omgevingstemperatuur	E44	<ol style="list-style-type: none"> <li>1. De omgevingstemperatuur is uit. van werkende waaiër: 11 °C - 42 °C .</li> <li>2. Storing controller.</li> </ol>	<ol style="list-style-type: none"> <li>1. Wacht tot de omgevingstemperatuur is gestegen tot 13 °C of is afgekoeld tot 40 °C om opnieuw te starten.</li> <li>2. Vervang de nieuwe controller.</li> </ol>
Storing watertoevoer	E03	<ol style="list-style-type: none"> <li>1. Onvoldoende of geen watertoevoer.</li> <li>2. De bedrading voor de waterstromingsschakelaar zit los.</li> </ol>	<ol style="list-style-type: none"> <li>1. Controleer de waterpomp of het waterleidingsysteem.</li> <li>2. Controleer de bedrading of vervang een nieuwe waterstromingsschakelaar.</li> </ol>

## **7. Onderhoud**

- (1) U moet het watertoevoersysteem regelmatig controleren om te voorkomen dat er lucht in het systeem komt en er te weinig water stroomt, omdat dit de prestaties en betrouwbaarheid van het HP-toestel zou verminderen.
- (2) Reinig je zwembaden en filtratiesysteem regelmatig om schade aan het apparaat als gevolg van een vervuild of verstopt filter te voorkomen.
- (3) Je moet het water uit de warmtepomp lozen als deze lange tijd niet draait (vooral tijdens het winterseizoen).
- (4) Op een andere manier moet u controleren of het apparaat volledig is gevuld met water voordat het weer begint te werken.
- (5) Als het apparaat draait, loopt er altijd een beetje water weg onder het apparaat.

## FRENCH VERSION

### Gaz à effet de serre fluorés -(R32)

Le dispositif contient le gaz à effet de serre fluoré (R32) qui est nécessaire au fonctionnement du dispositif.

Désignation industrielle HFC-32

Désignation commune R32

Potentiel de réchauffement planétaire (PRP) 675

De plus amples informations sont disponibles sur l'appareil lui-même ou sur les spécifications.



### Risque d'incendie et d'explosion en cas de fuite de l'échangeur de chaleur à ailettes !

Le circuit de réfrigérant de l'échangeur de chaleur à ailettes contient un gaz hautement pressurisé, facilement inflammable et inodore. Risque d'incendie et d'explosion en cas de fuite de gaz incontrôlée.

- L'opération de remplissage de gaz doit être effectuée par un professionnel titulaire d'une licence d'exploitation R32.
- Tenir la pompe à chaleur éloignée des sources de chaleur et des flammes nues.
- Ne pas ou brûler la pompe à chaleur.
- Ne pas utiliser d'objets autres que ceux autorisés par le fabricant pour accélérer le processus de dégivrage.
- Arrêtez immédiatement la pompe à chaleur si vous soupçonnez une fuite de gaz.
- Le réfrigérant est inodore. Les sources d'inflammation doivent toujours être éloignées du lieu d'installation de la pompe à chaleur.
- Contactez un spécialiste agréé si vous soupçonnez une fuite de gaz.



### Risque d'électrocution !

Une installation électrique défectueuse ou une tension trop élevée peuvent entraîner une électrocution.

- L'installation, la mise en service et l'entretien de la pompe à chaleur doivent être effectués uniquement par un technicien agréé.
- Veuillez toujours couper l'alimentation électrique si vous voulez ouvrir le boîtier pour accéder à l'intérieur de la pompe à chaleur, car il y a de l'électricité à haute tension à l'intérieur.
- Ne commencez à travailler sur la pompe à chaleur qu'après avoir vérifié toutes les règles de sécurité.
- Ne branchez la pompe à chaleur que si la tension de la prise de courant correspond à la tension indiquée sur la plaque signalétique.

- Ne pas faire fonctionner la pompe à chaleur si elle présente des dommages visibles ou si le câble d'alimentation ou la fiche d'alimentation est défectueux.
- Ne pas ouvrir le boîtier. Confiez les réparations à des spécialistes qualifiés. La responsabilité et la garantie sont exclues en cas de réparations effectuées par vos soins, d'utilisation non conforme.
- Veillez à ce que les enfants n'introduisent pas d'objets dans le ventilateur et la pompe à chaleur.
- Assurez-vous que le système électrique auquel la pompe à chaleur est raccordée est équipé d'un conducteur de terre.
- Si l'appareil est installé dans un endroit vulnérable à la , des mesures de protection contre la foudre doivent être effectuées.

 **ATTENTION !**

- Le fabricant décline toute responsabilité pour les dommages causés aux personnes, aux objets et pour les erreurs dues à l'installation qui ne respecte pas les directives du manuel. Toute utilisation non conforme à l'origine de sa fabrication sera considérée comme dangereuse.
- Conservez toujours la pompe à chaleur dans un endroit aéré et à l'écart de tout ce qui pourrait provoquer un incendie.
- Ne soudez pas le tuyau s'il y a du réfrigérant à l'intérieur de la machine. Veillez à ce que la machine ne soit pas dans un espace confiné lorsque le remplissage de gaz est effectué par un technicien agréé.
- Veuillez toujours vider l'eau de la pompe à chaleur pendant l'hiver ou lorsque la température ambiante descend en dessous de 0°C , sinon l'échangeur en titane sera endommagé à cause du gel, dans ce , il n'y aura plus de garantie pour cette machine.

**\* INDEX**

- 1. Spécifications**
- 2. Dimension**
- 3. Installation et connexion**
- 4. Câblage électrique**
- 5. Fonctionnement du contrôleur d'affichage**
- 6. Recherche de pannes**
- 7. Maintenance**

## 1. Spécifications

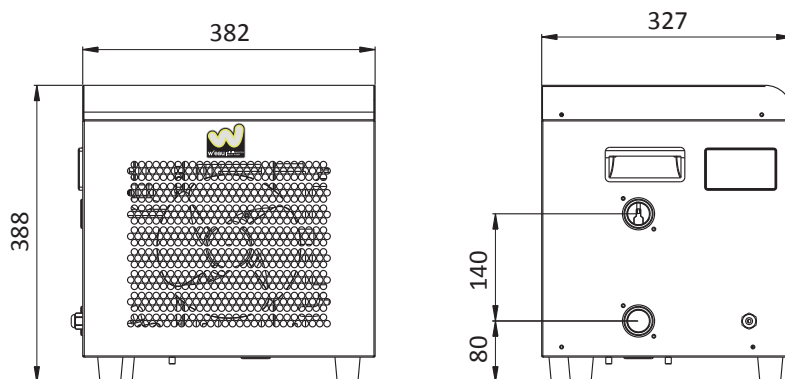
### 1.1 Données techniques pompes à chaleur pour piscines

Numéro de modèle	WMP-003-2	WMP-004-2	WMP-005-2
<b>* Capacité de chauffage pour l'air 26°C , humidité 80%, eau 26°C in, 28°C out</b>			
Capacité de chauffage (kW)	3.00	4.00	5.02
Puissance absorbée (kW)	0.58	0.77	0.97
COP	5.17	5.20	5.17
<b>* Capacité de chauffage pour l'air 15°C , humidité 70%, eau 26°C in, 28°C out</b>			
Capacité de chauffage (kW)	2.30	2.95	3.85
Puissance absorbée (kW)	0.55	0.70	0.92
COP	4.18	4.20	4.18
<b>* Données générales</b>			
Alimentation électrique	220~240V/1/50Hz		
Puissance maximale absorbée (kW)	0.95	1.28	1.55
Courant maximal (A)	4.2	5.6	7.0
Volume d'eau (m³/h)	1.5	2.0	2.5
Taille conseillée du bassin m³ (Avec abri de piscine)	0~10	5~16	8~20
Réfrigérant	R32		
Échangeur de chaleur	Tube en titane vissé		
Raccordement à l'eau (mm)	32/38		
Direction du flux d'air	Horizontal		
Une sorte de décongélation	par vanne à 4 voies		
Température de l'eau dans le chauffage ( °C)	15~40		
Température de l'eau dans le système de refroidissement (°C )	N/A		
Plage de température de travail ( °C)	11~43		
Matériau de l'enveloppe	Métal		
Niveau d'étanchéité	IPX4		
Niveau sonore dB(A) 10m	45	46	48
Niveau sonore dB(A) 1m	53	53	55
Poids net (kg)	21	22	28
Poids brut (kg)	23	24	30
Dimensions nettes (mm)	382*327*388		420*350*469
Dimensions de l'emballage (mm)	440*400*420		475*430*510

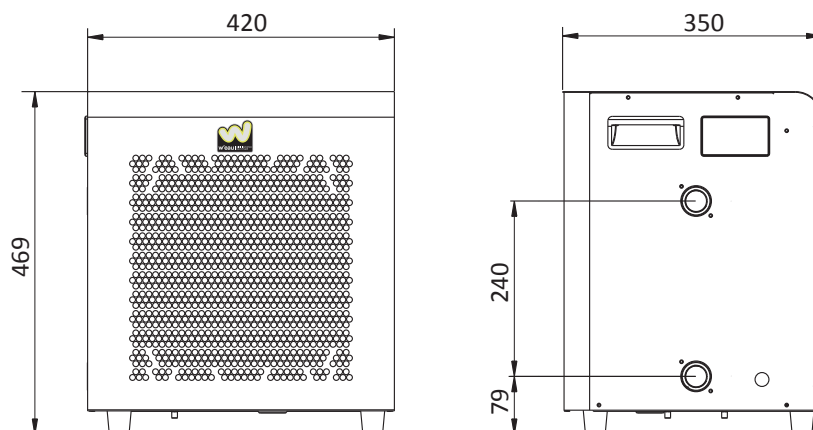
\*Les données ci-dessus peuvent être modifiées sans préavis.

## 2. Dimension (mm)

### 2.1 WMP-003-2/004-2



### 2.2 WMP-005-2



## 3. Installation et connexion

### Attention:

Veillez respecter les règles suivantes lors de l'installation de la pompe à chaleur :

1. Tout ajout de produits chimiques doit se faire dans la tuyauterie située **en aval** de la pompe à chaleur.
2. Tenez toujours la pompe à chaleur à la verticale. Si l'appareil a été tenu de travers, attendez au moins 24 heures avant de mettre la pompe à chaleur en marche.

### 3.1 Emplacement de la pompe à chaleur

L'appareil fonctionnera correctement dans n'importe quel endroit, à condition que les trois éléments suivants soient présents :

- 1. L'air frais** - **2. L'électricité** - **3. Filtres de piscine**

L'appareil peut être installé dans pratiquement n'importe quel endroit à **l'extérieur**, à condition que les distances minimales spécifiées par rapport à d'autres objets soient respectées. Veuillez consulter votre installateur pour l'installation d'une piscine intérieure.

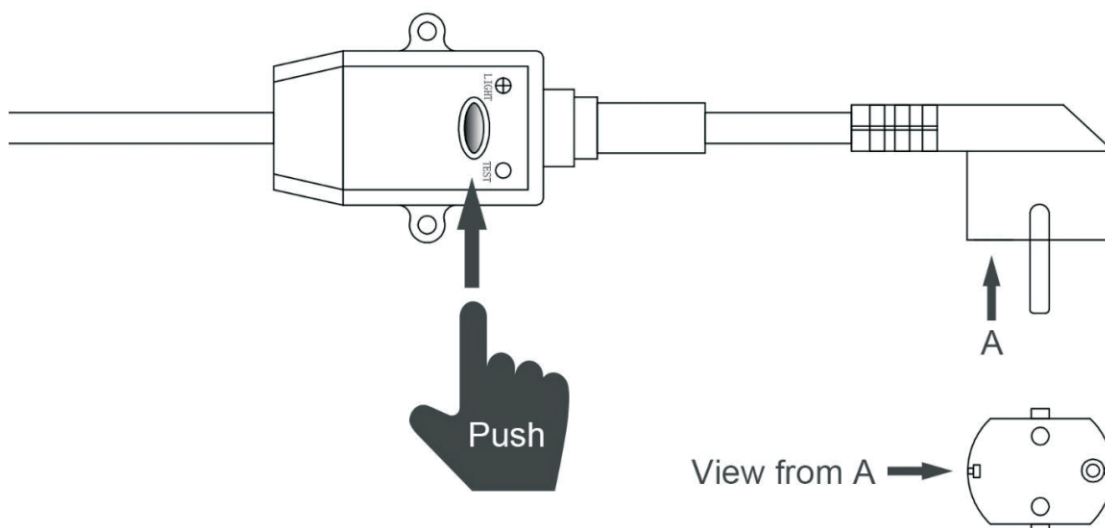
**ATTENTION** : Ne jamais installer l'appareil dans une pièce fermée avec un volume d'air limité dans laquelle l'air expulsé de l'appareil sera réutilisé, ou à proximité d'arbustes qui pourraient bloquer l'entrée d'air. De tels emplacements empêchent l'arrivée continue d'air frais, qui réduit l'efficacité de l'appareil et peut empêcher une production de chaleur suffisante.

### 3.2 Fonctionnement initial

Remarque : pour chauffer l'eau de la piscine (ou du spa), la pompe de filtration doit fonctionner pour faire circuler l'eau dans la pompe à chaleur. La pompe à chaleur ne démarrera pas si leau ne circule pas.

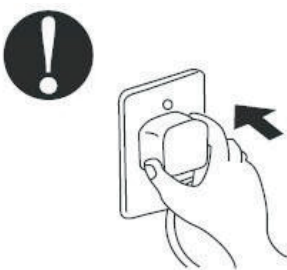
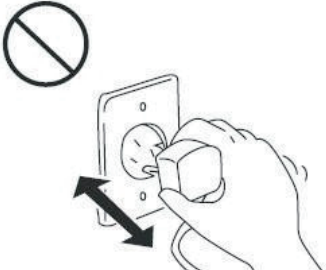
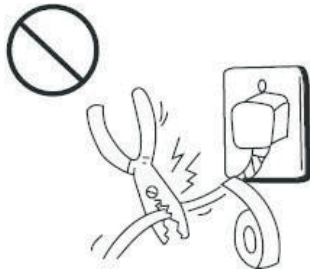
### 3.3 Raccordement électrique

Avant de brancher l'appareil, vérifiez que la tension d'alimentation correspond à la tension de fonctionnement de la pompe à chaleur.




La fiche RCD a été incluse dans le câble d'alimentation, ce qui peut offrir une protection électrique.

#### **Attention :**

<p><b>S'assurer que la fiche d'alimentation est bien fixée</b></p> <p>Si la fiche n'est pas bien fixée, cela peut provoquer un choc électrique, une surchauffe ou un incendie.</p> 	<p><b>Ne jamais débrancher la fiche d'alimentation en cours de fonctionnement</b></p> <p>Dans le cas contraire, il y a risque d'électrocution ou d'incendie en raison d'une surchauffe.</p> 	<p><b>Ne jamais utiliser de fils électriques endommagés ou non spécifiés.</b></p> <p>Dans le cas contraire, il y a risque de choc électrique ou d'incendie.</p> 
--	---	---

Après avoir effectué et vérifié tous les raccordements, suivre la procédure suivante :

1. Mettez la pompe de filtration en marche. Vérifiez qu'il n'y a pas de fuites et que l'eau s'écoule de et vers la piscine.
2. Branchez la pompe à chaleur et appuyez sur le bouton On/Off  sur le panneau de contrôle électronique. L'unité se met en marche après l'expiration du délai (voir ci-dessous).
3. Après quelques minutes, vérifiez si l'air sortant de l'appareil est plus froid.
4. Lorsque la pompe de filtration est arrêtée, l'unité doit également s'arrêter automatiquement.

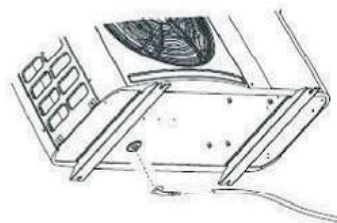
En fonction de la température initiale l'eau de la piscine et de la température de l'air, il peut falloir un certain temps pour chauffer l'eau à la température souhaitée. Une bonne couverture de piscine peut réduire considérablement le temps nécessaire.

**Temporisation** - La pompe à chaleur est dotée d'une temporisation de démarrage intégrée de 3 minutes pour protéger les circuits et éviter une usure excessive des contacts. L'appareil redémarre automatiquement à l'expiration de ce délai.

En cas de première mise sous tension ou de coupures de courant supplémentaires, la pompe à chaleur démarre 10 secondes plus tard après avoir appuyé sur la touche "ON/OFF" - bouton.

### 3.4 Condensation

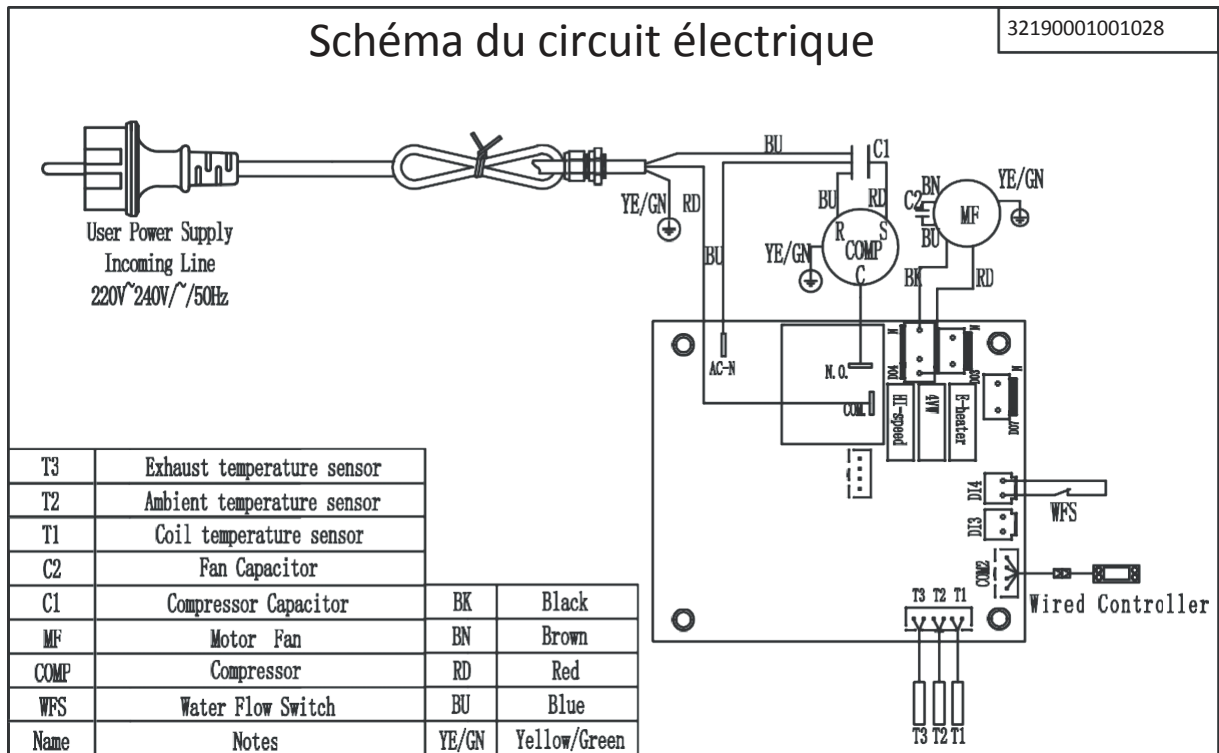
L'air aspiré dans la pompe à chaleur est fortement refroidi par le fonctionnement de la pompe à chaleur pour chauffer l'eau de la piscine, ce qui peut provoquer de la condensation sur les ailettes de l'évaporateur. La quantité de condensation peut atteindre plusieurs litres par heure en cas d'humidité relative élevée. Ce phénomène est parfois considéré à tort comme une fuite d'eau. Pour évacuer l'eau de condensation, vous pouvez utiliser la buse et le tuyau d'évacuation situés au bas de l'appareil. Voir ci-dessous.



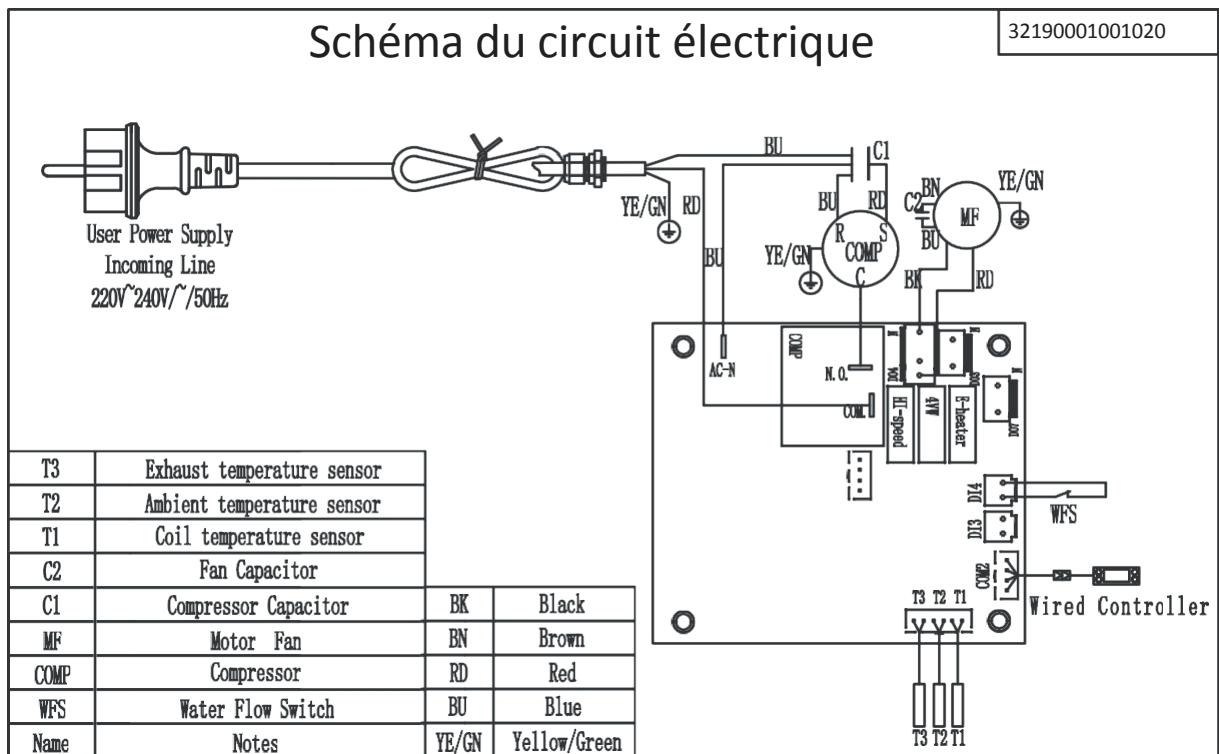
## 4. Câblage électrique

### 4.1 Schéma de câblage de la pompe à chaleur de la piscine

#### 4.1.1 WMP-003-2



#### 4.1.2 WMP-004-2/005-2



**NOTE :**

- (1) Le schéma de câblage électrique ci-dessus n'est donné qu'à titre de référence, veuillez soumettre la machine affichée au schéma de câblage.
- (2) La pompe à chaleur pour piscine doit être reliée à la terre, bien que l'échangeur de chaleur soit isolé électriquement du reste de l'appareil. La mise à la terre de l'unité est toujours nécessaire pour vous protéger contre les courts-circuits à l'intérieur de l'unité. La mise à la terre est également nécessaire.








**Déconnexion :** Un dispositif de déconnexion (disjoncteur, interrupteur avec ou sans fusible) doit être placé à portée de vue et facilement accessible de l'appareil. C'est une pratique courante sur les pompes à chaleur commerciales et résidentielles. Il empêche la mise sous tension à distance d'équipements non surveillés et permet de couper l'alimentation de l'appareil pendant les travaux d'entretien.



## 5. Fonctionnement du contrôleur d'affichage

### 5.1 L'interface du contrôleur de fil LED





## 5.2 Instructions pour les touches de la télécommande

Nom/Icône	Description fonctionnelle
Touche Marche/Arrêt 	<ul style="list-style-type: none"> <li>Appuyez sur cette touche et maintenez-la enfoncée pendant 1 seconde pour activer ou désactiver le système.</li> </ul>
	<ul style="list-style-type: none"> <li>En mode interrogation, appuyez sur ce bouton pour revenir à l'interface principale.</li> </ul>
	<ul style="list-style-type: none"> <li>En mode réglage, appuyez sur ce bouton pour revenir à l'interface principale.</li> </ul>
	<ul style="list-style-type: none"> <li>Si aucune opération n'est effectuée sur le contrôleur pendant 60 secondes, il s'éteint automatiquement :               <ol style="list-style-type: none"> <li>Retourner à l'interface principale,</li> <li>Éteignez l'écran, et</li> <li>Verrouiller l'écran.</li> </ol> </li> </ul>
	<ul style="list-style-type: none"> <li>Sur l'interface principale, lorsqu'elle est verrouillée, appuyez sur la touche et maintenez-la enfoncée pendant 3 secondes pour la déverrouiller.</li> </ul>
Touche Mode 	<ul style="list-style-type: none"> <li>Dans l'interface principale, appuyez sur la touche et maintenez-la enfoncée pendant 5 secondes pour accéder à l'interface de paramétrage (lecture seule).</li> </ul>
	<ul style="list-style-type: none"> <li>Lorsqu'il est mis sous tension, le système peut basculer entre les modes Auto, Refroidissement et Chauffage, selon le modèle.</li> </ul>
	<ul style="list-style-type: none"> <li>En mode d'interrogation des paramètres, vous pouvez accéder aux paramètres ou les enregistrer.</li> </ul>
Touche haut 	<ul style="list-style-type: none"> <li>Sur l'interface principale et lorsque l'appareil est sous tension, appuyez sur pour régler la température.</li> </ul>
	<ul style="list-style-type: none"> <li>Sur l'interface principale, appuyez sur la touche et maintenez-la enfoncée pendant 3 secondes pour passer en mode d'interrogation.</li> </ul>
	<ul style="list-style-type: none"> <li>En mode interrogation, appuyez sur cette touche pour alterner et visualiser les numéros de série.</li> </ul>
	<ul style="list-style-type: none"> <li>En mode paramétrage, utilisez la touche mode et appuyez sur pour modifier les paramètres.</li> </ul>
Touche bas 	<ul style="list-style-type: none"> <li>Modifier les paramètres de la minuterie.</li> </ul>
	<ul style="list-style-type: none"> <li>Sur l'interface principale et sous tension, appuyez sur pour régler la température ou la courbe.</li> </ul>
	<ul style="list-style-type: none"> <li>Sur l'interface principale, appuyez sur la touche et maintenez-la enfoncée pendant 3 secondes pour passer en mode d'interrogation et de maintenance.</li> </ul>
	<ul style="list-style-type: none"> <li>En mode interrogation, appuyez sur cette touche pour alterner et visualiser les numéros de série.</li> </ul>
	<ul style="list-style-type: none"> <li>En mode paramétrage, utilisez la touche mode et appuyez sur pour modifier les paramètres.</li> </ul>
<ul style="list-style-type: none"> <li>Modifier les paramètres de la minuterie.</li> </ul>	
Changer le mode + 	Appuyez sur la touche et maintenez-la enfoncée pendant 3 secondes pour accéder au réglage du temps de chronométrage, et le symbole de l'horloge s'allume.
Interrupteur+ Bouton haut 	Appuyez sur la touche et maintenez-la enfoncée pendant 5 secondes pour accéder à la connexion manuelle au réseau intelligent.
Interrupteur+ Touche vers le bas 	Appuyez sur la touche et maintenez-la enfoncée pendant 5 secondes pour accéder à la connexion manuelle au réseau AP.

<p>Mode+Bas</p> 	<p>Sur l'interface principale, appuyez sur la touche et maintenez-la enfoncée pendant 5 secondes pour activer ou désactiver le dégivrage.</p> <p>Dans les 5 minutes qui suivent la mise sous tension, sur l'écran d'arrêt, appuyez sur la touche et maintenez-la enfoncée pendant 10 secondes pour entrer ou sortir de la charge de réfrigérant.</p>
<p>Touche haut+ Touche bas</p> 	<p>Appuyez sur la touche et maintenez-la enfoncée pendant 3 secondes pour passer des degrés Celsius aux degrés Fahrenheit.</p>

### 5.3 Instructions pour l'affichage LCD du contrôleur de fil

symbole	État	Fonction ou signification	Remarque
	Arrêt	Actuellement en mode d'arrêt ou de non-chauffage	Affichage de l'état marche/arrêt
	Toujours en marche	Actuellement en mode de chauffage	Affichage de l'état marche/arrêt
SET	Toujours en marche	Paramètres représentatifs	
°C	Toujours en marche	Affichage de la température en Celsius	
°F	Toujours en marche	Affichage de la température en Fahrenheit	
28.0	Toujours en marche	Affichage de la valeur réelle, de la valeur de consigne et du code d'erreur	

### 5.4 Modes de fonctionnement

Mode chauffage

Cet appareil est spécialement conçu pour chauffage, avec une efficacité énergétique optimisée pour les environnements froids.

#### ● Réglage de la température

- Plage de température de l'eau de retour du chauffage : 8 °C (46°F) ~ 40 °C (104°F).
- Ajustez les réglages en fonction de votre confort et de vos besoins de chauffage.

### 5.5 Protection du système

Pour garantir un fonctionnement sûr et fiable, le système est équipé de multiples mécanismes de protection :

#### 5.5.1 Protection contre les basses températures ambiantes

- Lorsque la température ambiante est de  $9 \leq ^\circ\text{C}$ , le système s'arrête de fonctionner et affiche le code d'erreur E44.
- Le fonctionnement normal reprend automatiquement lorsque la température ambiante atteint  $\geq 11 . ^\circ\text{C}$

#### 5.5.2 Protection contre les températures ambiantes élevées

- Lorsque la température ambiante est de  $\geq 43 ^\circ\text{C}$ , le système s'arrête et affiche le code d'erreur E44. ● Le fonctionnement normal reprend lorsque la température ambiante descend à  $\leq 41 . ^\circ\text{C}$

#### 5.5.3 Défaillance du capteur de température d'entrée d'eau

- Si le capteur de température d'entrée d'eau est détecté comme étant en court-circuit ou en circuit ouvert, le système s'arrête pour se protéger et affiche le code d'erreur E15.

#### 5.5.4 Défaillance du capteur de température ambiante

- Si le capteur de température ambiante est détecté comme étant en court-circuit ou en circuit ouvert, le système fonctionne normalement mais affiche le code d'erreur E21.

#### 5.5.5 Défaillance du capteur de température de la bobine

- Si le capteur de température de la bobine est détecté comme étant en court-circuit ou en circuit ouvert, le système fonctionne normalement mais affiche le code d'erreur E16.

## 5.6 Défaillance du commutateur de débit d'eau

Le système surveille l'interrupteur de débit d'eau pour s'assurer de son bon fonctionnement :

### 5.6.1 Paramètres de détection :

F47= 0 : un interrupteur fermé indique un défaut. F47 = 1 : L'ouverture de l'interrupteur indique un défaut.

F47= 2 : Pas de détection de défaut pour le commutateur de débit d'eau.

### 5.6.2 Détection des défauts :

- Si le commutateur reste en défaut pendant 3 secondes, l'appareil s'arrête et affiche un code de défaut.

### 5.6.3 Réinitialisation des défauts :

- Le système arrête la pompe pendant 60 secondes, puis la redémarre pour vérifier si le commutateur est normal. ● S'il est normal, l'unité reprend son fonctionnement. Dans le cas contraire, un compteur de défauts est enregistré.

### 5.6.4 Mécanisme de protection :

- Si le défaut du commutateur de débit d'eau se produit 3 fois en l'espace d'une heure, la pompe arrête le cycle et un code de défaut reste affiché.

### 5.6.5 Restauration :

- Le défaut peut être résolu en rétablissant le commutateur de débit d'eau ou en réinitialisant l'alimentation.

## 5.7 Autres caractéristiques

Fonction de protection contre la mise hors tension

- Les paramètres du système peuvent être prédéfinis et sont conservés même en cas de coupure de courant.
- Selon la conception de l'unité, l'état de mise sous tension/hors tension et l'état du chauffage électrique peuvent également être stockés. ● Après un arrêt anormal ou une coupure de courant, le système peut soit
  - Entrer en mode veille au redémarrage, ou
  - Reprendre l'état antérieur à la coupure de courant.

## 5.8 Code d'erreur et tableau de paramétrage :

Code d'erreur et tableau de paramétrage

Défaut du système (LED) :

Protection/défaut	Télécommande
Défaut du capteur de température d'entrée d'eau	E15
Défaut du capteur de température ambiante	E21
Protection de la piscine contre les basses températures	E44
Protection contre les températures élevées dans les piscines	E44
Défaut du capteur de température de la bobine	E16
Défaut d'écoulement de l'eau	E03

## 5.9 Tableau d'état des opérations

Nom du statut	Affichage de l'étiquette	Remarque
Cycle du fluor/cycle de l'eau	00	0= cycle de l'eau ; 1= cycle du fluor
Interrupteur de débit d'eau	03	0= ouvert ; 1= fermé
Valeur de la température du serpentin	05	Valeur mesurée
Valeur de la température ambiante	06	Valeur mesurée
Température de l'eau à l'entrée	09	Valeur affichée = valeur mesurée + valeur de compensation
compresseur	11	0 = arrêt ; 1= marche
Vanne à quatre voies	12	0 = arrêt ; 1= marche
Vent à grande vitesse	13	0 = arrêt ; 1= marche
Temps de fonctionnement cumulé du compresseur avant le dégivrage	17	Valeur mesurée
Valeur de l'outillage du modèle actuel	19	Outillage 0

## 6. Recherche de pannes

Dysfonctionnement	Code	Raison	Solution
Défaillance du capteur de température de l'eau	E15	Le capteur de température de l'eau est en circuit ouvert ou en court-circuit.	1. Vérifier le câblage du capteur. 2. Remplacer le nouveau capteur de température de l'eau.
Défaut du capteur de température de la tuyauterie	E16	Le capteur de température de la tuyauterie est en circuit ouvert ou en court-circuit.	1. Vérifier le câblage du capteur. 2. Remplacer le nouveau capteur de température de la tuyauterie.
Défaut du capteur de température ambiante	E21	Le capteur de température ambiante est en circuit ouvert ou en court-circuit.	1. Vérifier le câblage du capteur. 2. Remplacer la nouvelle température de l'eau.
Protection contre une température ambiante trop basse ou trop élevée	E44	1. La température ambiante est en dehors de la plage de fonctionnement : 11°C-42°C. 2. Défaillance du contrôleur.	1. Attendre que la température ambiante monte à 13°C ou refroidisse à 40°C pour redémarrer. 2. Remplacer le nouveau contrôleur.
Défaut d'écoulement de l'eau	E03	1. Débit d'eau insuffisant ou inexistant. 2. Le câblage de l'interrupteur de débit d'eau est mal fixé.	1. Vérifier la pompe à eau ou le système de tuyauterie d'eau. 2. Vérifiez le câblage ou remplacez le commutateur de débit d'eau.

## **7. Maintenance**

- (1) Vous devez vérifier régulièrement le système d'alimentation en eau afin d'éviter que de l'air ne pénètre dans le système et que le débit d'eau ne soit trop faible ce qui réduirait les performances et la fiabilité de l'unité HP.
- (2) Nettoyez régulièrement vos piscines et votre système de filtration pour éviter d'endommager l'appareil en raison de l'encrassement ou du colmatage du filtre.
- (3) Vous devez évacuer l'eau de la pompe à chaleur si elle s'arrête de fonctionner une longue période (en particulier pendant saison hivernale).
- (4) En d'autres termes, vous devez vérifier que l'appareil est complètement rempli d'eau avant qu'il ne recommence à fonctionner.
- (5) Lorsque l'appareil fonctionne, il y a toujours un petit écoulement d'eau sous l'appareil.

## FRENCH VERSION

### Fluoriertes Treibhausgas -(R32)

Das Gerät enthält das fluorierte Treibhausgas (R32), das für den Betrieb des Geräts erforderlich ist. Industrielle

Bezeichnung	HFC-32
Gemeinsame Bezeichnung	R32
Globales Erwärmungspotenzial (GWP)	675

Weitere Informationen finden Sie auf dem Gerät selbst oder in den Spezifikationen.

### **WARNUNG!**

#### **Brand- und Explosionsgefahr durch undichten Lamellenwärmetauscher!**

Der Kältemittelkreislauf des Lamellenwärmetauschers enthält unter hohem Druck stehendes, leicht entzündliches, geruchloses Gas. Bei unkontrolliertem Gasaustritt besteht Brand- und Explosionsgefahr.

- Das Einfüllen von Gas muss von einem Fachmann mit R32-Betriebserlaubnis durchgeführt werden.
- Halten Sie die Wärmepumpe von Wärmequellen und offenen Flammen fern.
- Die Wärmepumpe darf nicht berührt oder verbrannt werden.
- Verwenden Sie keine anderen als die vom Hersteller zugelassenen Gegenstände, um den Abtauvorgang zu beschleunigen.
- Schalten Sie die Wärmepumpe sofort aus, wenn Sie einen Gasaustritt vermuten.
- Das Kältemittel ist geruchlos. Halten Sie Zündquellen stets vom Aufstellungsort der fern.
- Wenden Sie sich an einen autorisierten Fachmann, wenn Sie einen Gasaustritt vermuten.

### **WARNUNG!**

#### **Gefahr eines elektrischen Schlages!**

Eine fehlerhafte Elektroinstallation oder eine zu hohe Netzspannung kann zu einem Stromschlag führen.

- Lassen Sie die Installation, die Erstinbetriebnahme und die Wartung der Wärmepumpe nur von autorisiertem Fachpersonal durchführen.
- Bitte unterbrechen Sie immer die Stromzufuhr, wenn Sie das Gehäuse öffnen wollen, um in das Innere der Wärmepumpe zu gelangen, da sich darin Hochspannung befindet.
- Beginnen Sie mit den Arbeiten an der Wärmepumpe erst, nachdem Sie alle Sicherheitsvorschriften überprüft haben.
- Schließen Sie die Wärmepumpe nur an, wenn die Netzspannung an der mit der auf dem Typenschild angegebenen Spannung übereinstimmt.

- Nehmen Sie die Wärmepumpe nicht in Betrieb, wenn sichtbare Schäden aufweist oder das Netzkabel bzw. der Netzstecker defekt ist.
- Öffnen Sie das Gehäuse nicht. Überlassen Sie Reparaturen qualifiziertem Fachpersonal. Bei selbst durchgeführten Reparaturen, unsachgemäßer Bedienung sind Haftung und Gewährleistungsansprüche ausgeschlossen.
- Achten Sie darauf, dass Kinder keine Gegenstände in den Ventilatorflügel und die Wärmepumpe stecken.
- Vergewissern Sie sich, dass das elektrische System, an das die Wärmepumpe angeschlossen ist, über einen Schutzleiter verfügt.
- Wenn das Gerät an einem blitzschlaggefährdeten Ort installiert werden soll, müssen Blitzschutzmessungen durchgeführt werden.

 **ACHTUNG!**

- Der Hersteller lehnt jede Verantwortung für Schäden an Personen, Gegenständen und Fehlern ab, die durch eine Installation entstehen, die nicht den des Handbuchs entspricht. Jegliche Verwendung, die nicht mit ursprünglichen Herstellungsprozess übereinstimmt, wird als gefährlich angesehen.
- Bitte bewahren Sie die Wärmepumpe immer an einem gut belüfteten Ort auf und halten Sie sie von allem fern, was Feuer verursachen könnte.
- Schweißen Sie das Rohr **nicht**, wenn sich Kältemittel in der Maschine befindet. Bitte halten Sie die Maschine von engen Räumen fern, wenn die Gasfüllung durch einen autorisierten Techniker erfolgt.
- Bitte entleeren Sie das Wasser in der Wärmepumpe immer im Winter oder wenn die Umgebungstemperatur unter 0°C sinkt, da sonst der Titantauscher durch das Einfrieren beschädigt wird.

**\* INDEX**

- 1. Spezifikationen**
- 2. Dimension**
- 3. Einbau und Anschluss**
- 4. Elektrische Verkabelung**
- 5. Bedienung des Controllers anzeigen**
- 6. Fehlersuche**
- 7. Wartung**

# 1. Spezifikationen

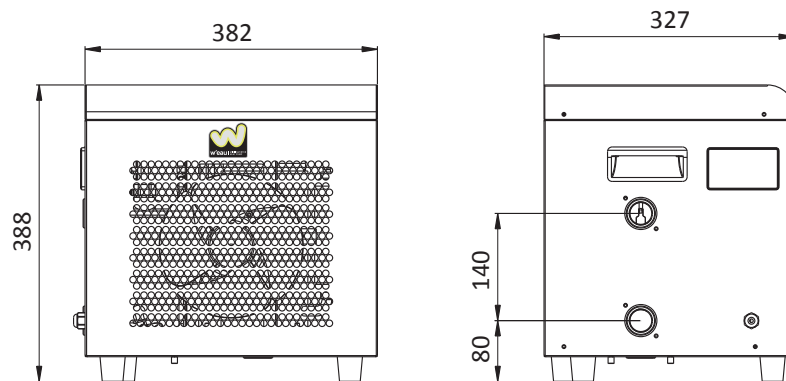
## 1.1 Technische Daten Poolwärmepumpen

Modell Nr.	WMP-003-2	WMP-004-2	WMP-005-2
<b>* Heizleistung bei Luft 26°C , Luftfeuchtigkeit 80%, Wasser 26°C in, 28°C out</b>			
Heizleistung (kW)	3.00	4.00	5.02
Leistungsaufnahme (kW)	0.58	0.77	0.97
COP	5.17	5.20	5.17
<b>* Heizleistung bei Luft 15°C , Luftfeuchtigkeit 70%, Wasser 26°C in, 28°C out</b>			
Heizleistung (kW)	2.30	2.95	3.85
Leistungsaufnahme (kW)	0.55	0.70	0.92
COP	4.18	4.20	4.18
<b>* Allgemeine Daten</b>			
Stromversorgung	220~240V/1/50Hz		
Maximale Leistungsaufnahme (kW)	0.95	1.28	1.55
Maximaler Strom (A)	4.2	5.6	7.0
Wasserdurchflussmenge (m <sup>3</sup> /h)	1.5	2.0	2.5
Empfohlene Beckengröße m <sup>3</sup> (Mit Poolabdeckung)	0~10	5~16	8~20
Kältemittel	R32		
Wärmetauscher	Geschraubtes Titan-Rohr		
Wasseranschluss (mm)	32/38		
Richtung des Luftstroms	Horizontal		
Art des Auftauens	durch 4-Wege-Ventil		
Wassertemp. in der Heizung ( °C)	15~40		
Wassertemperatur in der Kühlung ( °C)	K.A.		
Arbeitstemperaturbereich ( °C)	11~43		
Material des Gehäuses	Metall		
Wasserdichte Ebene	IPX4		
Geräuschpegel dB(A) 10m	45	46	48
Geräuschpegel dB(A) 1m	53	53	55
Nettogewicht (kg)	21	22	28
Bruttogewicht (kg)	23	24	30
Nettoabmessungen (mm)	382*327*388		420*350*469
Gehäuse Abmessungen (mm)	440*400*420		475*430*510

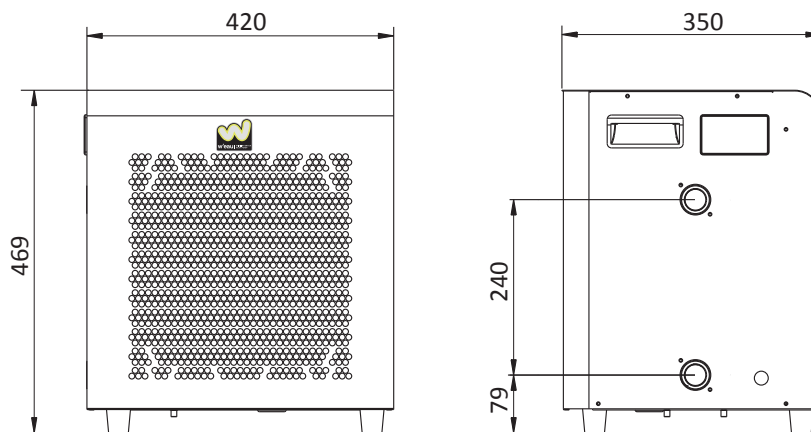
\*Die oben genannten Daten können ohne vorherige Ankündigung geändert werden.

## 2. Abmessungen (mm)

### 2.1 WMP-003-2/004-2



### 2.2 WMP-005-2



## 3. Einbau und Anschluss

### Achtung!

Bitte beachten Sie bei der Installation der Wärmepumpe die folgenden Regeln:

1. Die Zugabe von Chemikalien muss in den der Wärmepumpe **nachgeschalteten** Rohrleitungen erfolgen.
2. Halten Sie die Wärmepumpe immer aufrecht. Wenn das Gerät schräg gehalten wurde, warten Sie mindestens 24 Stunden, bevor Sie die Wärmepumpe in Betrieb nehmen.

### 3.1 Standort der Wärmepumpe

Das Gerät funktioniert an jedem gewünschten Standort, sofern die folgenden drei Punkte sind:

- 1. Frische Luft** – **2. Elektrizität** – **3. Schwimmbadfilter**

Das Gerät kann an praktisch jedem Standort **im Freien** installiert werden, solange die angegebenen Mindestabstände zu anderen Objekten eingehalten werden. Für die Installation in einem Hallenbad wenden Sie sich bitte an Ihren Installateur.

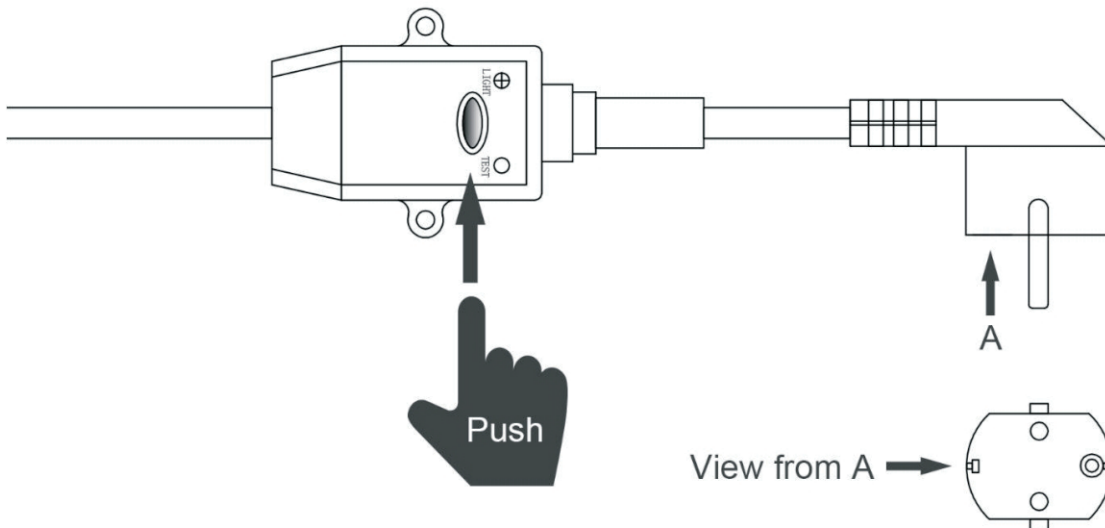
**ACHTUNG:** Installieren Sie das Gerät niemals in einem geschlossenen Raum mit begrenztem Luftvolumen, in dem die vom Gerät ausgestoßene Luft wiederverwendet wird, oder in der Nähe von Sträuchern, die den Lufteinlass blockieren könnten. Solche Standorte beeinträchtigen die kontinuierliche Zufuhr von Frischluft, was zu einem geringeren Wirkungsgrad führt und möglicherweise eine ausreichende Heizleistung verhindert.

### 3.2 Inbetriebnahme

**Hinweis:** Um das Wasser im Pool (oder Whirlpool) zu erwärmen, muss die Filterpumpe laufen, damit das Wasser durch die Wärmepumpe zirkulieren kann. Wenn Wasser nicht zirkuliert, läuft die Wärmepumpe nicht an.

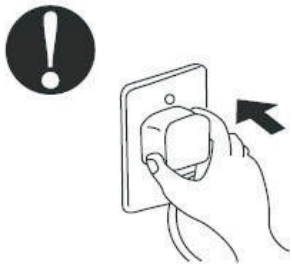
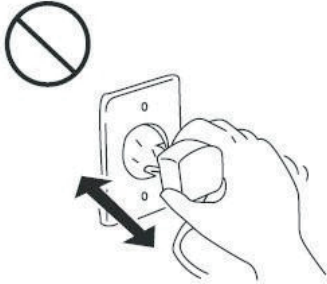
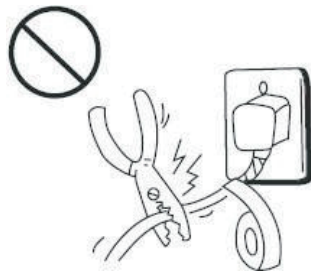
### 3.3 Elektrischer Anschluss

Überprüfen Sie vor dem Anschluss des Geräts, ob die Versorgungsspannung mit der Betriebsspannung der Wärmepumpe übereinstimmt.




Der RCD-Stecker ist im Netzkabel enthalten, der einen elektrischen Schutz bietet.

#### **Achtung!**


<p><b>Sicherstellen, dass der Netzstecker fest sitzt</b></p> <p>Wenn der Stecker nicht fest sitzt, kann es zu einem elektrischen Schlag, Überhitzung oder Brand kommen.</p> 	<p><b>Ziehen Sie niemals den Netzstecker während des Betriebs</b></p> <p>Andernfalls besteht die Gefahr eines elektrischen Schlages oder eines Brandes aufgrund von Überhitzung.</p> 	<p><b>Verwenden Sie niemals beschädigte oder nicht spezifizierte elektrische Leitungen.</b></p> <p>Andernfalls kann es zu einem elektrischen Schlag oder Brand kommen.</p> 
---	--	--

Nachdem alle Anschlüsse hergestellt und überprüft wurden, führen Sie das folgende Verfahren durch:

1. Schalten Sie die Filterpumpe ein. Prüfen Sie auf undichte Stellen und vergewissern Sie sich, dass das Wasser vom und zum Schwimmbecken fließt.
2. Schließen Sie die Wärmepumpe an die Stromversorgung an und drücken Sie die Ein/Aus-Taste  auf dem elektronischen Bedienfeld. Das Gerät läuft nach Ablauf der Zeitverzögerung an (siehe unten).
3. Prüfen Sie nach ein paar Minuten, ob die Luft, die aus dem Gerät strömt, kühler ist.
4. Wenn Sie die Filterpumpe abschalten, sollte sich auch das Gerät automatisch abschalten.

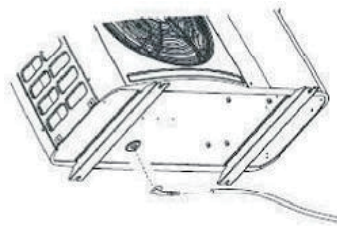
Je nach Ausgangstemperatur des Wassers im Schwimmbecken und der Lufttemperatur kann es einige Zeit dauern, bis das Wasser auf die gewünschte Temperatur aufgeheizt ist. Eine gute Schwimmbadabdeckung kann die benötigte Zeit drastisch verkürzen.

**Zeitverzögerung** - Die Wärmepumpe verfügt über eine eingebaute 3-minütige Einschaltverzögerung, um die Schaltkreise zu schützen und übermäßigen Kontaktverschleiß zu vermeiden. Nach Ablauf dieser Zeitverzögerung wird das Gerät automatisch neu gestartet.

Bei erstmaligem Einschalten oder weiteren Stromunterbrechungen startet die Wärmepumpe 10s später nach Drücken von **ON/OFF**  Taste.

### 3.4 Kondenswasser

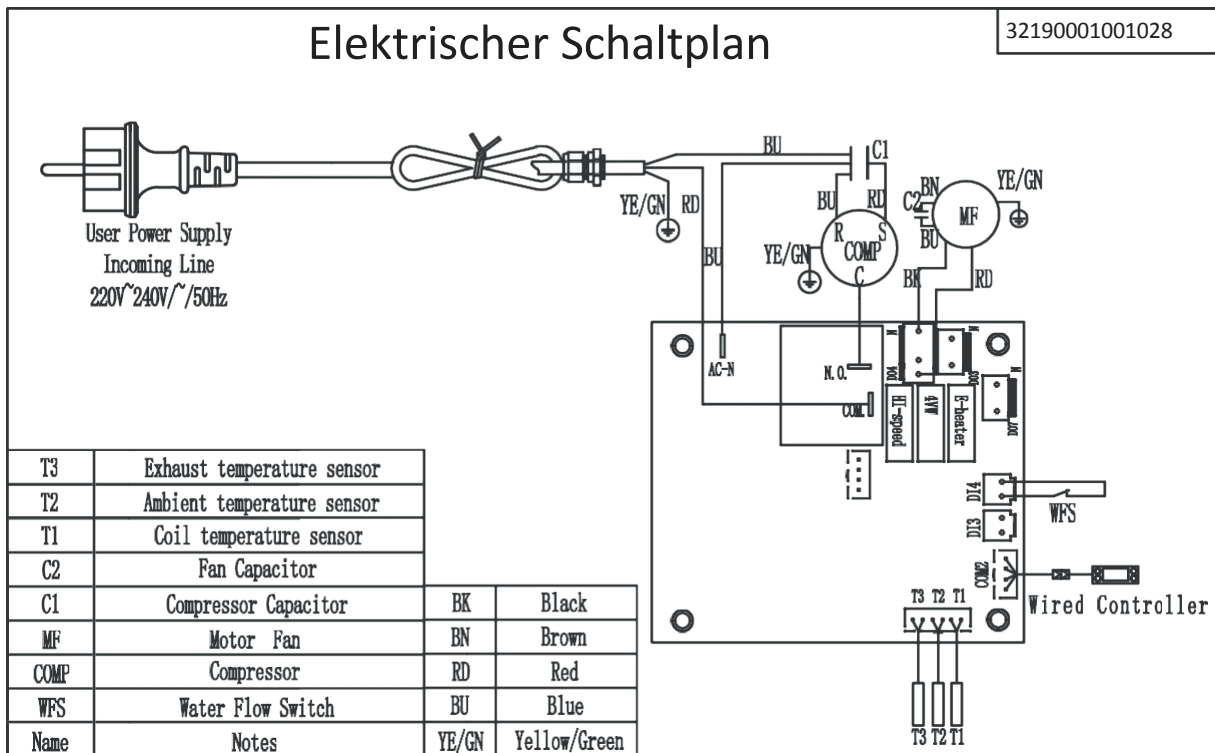
Die in die Wärmepumpe eingesaugte Luft wird durch den Betrieb der Wärmepumpe zur Erwärmung des Schwimmbadwassers stark abgekühlt, was zur Kondensation an den Lamellen des Verdampfers führen kann. Die Kondensationsmenge kann bei hoher relativer Luftfeuchtigkeit bis zu mehreren Litern pro Stunde betragen. Dies wird manchmal fälschlicherweise für ein Wasserleck gehalten. Sie können die Abflusdüse und den Schlauch an der Unterseite des Geräts verwenden, um das Kondenswasser abzulassen. Siehe unten.



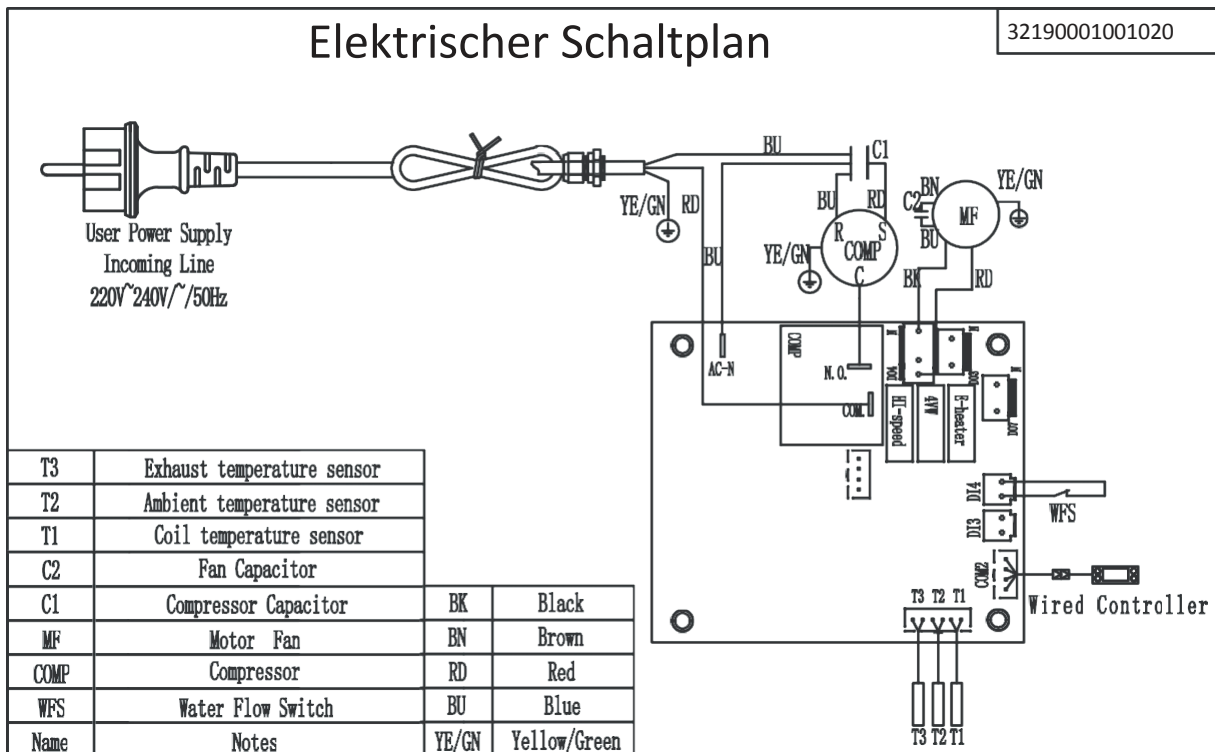
## 4. Elektrische Verkabelung

### 4.1 Schaltplan für die Wärmepumpe eines Schwimmbads

#### 4.1.1 WMP-003-2



#### 4.1.2 WMP-004-2/005-2



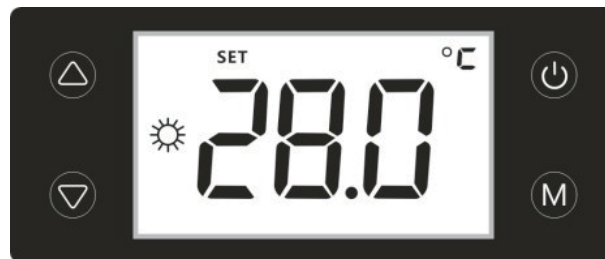
**HINWEIS:**

- (1) Oben elektrischer Schaltplan nur für Ihre Referenz, bitte Thema Maschine gebucht den Schaltplan.
- (2) Die Schwimmbadwärmepumpe muss gut geerdet werden, auch wenn der Wärmetauscher der Einheit vom Rest der Einheit elektrisch isoliert ist. Die Erdung des Geräts ist dennoch erforderlich, um Sie vor Kurzschlüssen innerhalb des Geräts zu schützen. Auch eine Erdung ist erforderlich.








**Trennen:** Eine Trennvorrichtung (Leistungsschalter, gesicherter oder ungesicherter Schalter) sollte sich in Sichtweite des Geräts befinden und von dort aus leicht zugänglich sein. Dies ist bei gewerblichen und privaten Wärmepumpen gängige Praxis. Sie verhindert, dass unbeaufsichtigte Geräte aus der Ferne mit Strom versorgt werden, und ermöglicht es, den Strom am Gerät abzuschalten, während das Gerät gewartet wird.



## 5. Bedienung des Controllers anzeigen

### 5.1 Die Schnittstelle des LED-Draht-Controllers





## 5.2 Anleitung für die Tasten der Fernbedienung

Name/Symbol	Funktionelle Beschreibung
Ein/Aus-Taste 	<ul style="list-style-type: none"> <li>• Halten Sie die Taste 1 Sekunde lang gedrückt, um das System ein-/auszuschalten.</li> </ul>
	<ul style="list-style-type: none"> <li>• Drücken Sie diese Taste im Abfragemodus, um zur Hauptschnittstelle zurückzukehren.</li> </ul>
	<ul style="list-style-type: none"> <li>• Drücken Sie diese Taste im Einstellungsmodus, um zur Hauptschnittstelle zurückzukehren.</li> </ul>
	<ul style="list-style-type: none"> <li>• Wenn 60 Sekunden lang keine Bedienung am Steuergerät erfolgt, schaltet es sich automatisch ein:</li> </ul>
	<ol style="list-style-type: none"> <li>1. Kehren Sie zur Hauptschnittstelle zurück,</li> </ol>
	<ol style="list-style-type: none"> <li>2. Schalten Sie den Bildschirm aus, und</li> </ol>
	<ol style="list-style-type: none"> <li>3. Sperren Sie den Bildschirm.</li> </ol>
<ul style="list-style-type: none"> <li>• Wenn die Hauptschnittstelle gesperrt ist, halten Sie die Taste 3 Sekunden lang gedrückt, um sie zu entsperren.</li> </ul>	
Modus-Taste 	<ul style="list-style-type: none"> <li>• Halten Sie auf der Hauptschnittstelle die Taste 5 Sekunden lang gedrückt, um die Parameterschnittstelle zu öffnen (schreibgeschützt).</li> </ul>
	<ul style="list-style-type: none"> <li>• Nach dem Einschalten kann das System je nach Modell zwischen den Modi Auto, Kühlen und Heizen wechseln.</li> </ul>
	<ul style="list-style-type: none"> <li>• Im Parameterabfragemodus können Sie Parameter abrufen oder speichern.</li> </ul>
Taste oben 	<ul style="list-style-type: none"> <li>• Drücken Sie auf der Hauptschnittstelle und bei eingeschalteter Stromversorgung auf , um die Temperatur einzustellen.</li> </ul>
	<ul style="list-style-type: none"> <li>• Halten Sie auf der Hauptschnittstelle 3 Sekunden lang gedrückt, um in den Abfragemodus zu gelangen.</li> </ul>
	<ul style="list-style-type: none"> <li>• Drücken Sie im Abfragemodus auf , um zwischen den Seriennummern umzuschalten und sie anzuzeigen.</li> </ul>
	<ul style="list-style-type: none"> <li>• Verwenden Sie im Parametriermodus die Modustaste und drücken Sie , um die Parameter zu ändern.</li> </ul>
<ul style="list-style-type: none"> <li>• Ändern Sie die Timer-Einstellungen.</li> </ul>	
Nach-unten-Taste 	<ul style="list-style-type: none"> <li>• Drücken Sie auf der Hauptschnittstelle und bei eingeschalteter Stromversorgung auf , um die Temperatur oder die Kurve einzustellen.</li> </ul>
	<ul style="list-style-type: none"> <li>• Halten Sie auf der Hauptschnittstelle 3 Sekunden lang gedrückt, um in den Abfrage- und Wartungsmodus zu gelangen.</li> </ul>
	<ul style="list-style-type: none"> <li>• Drücken Sie im Abfragemodus auf , um zwischen den Seriennummern umzuschalten und sie anzuzeigen.</li> </ul>
	<ul style="list-style-type: none"> <li>• Verwenden Sie im Parametriermodus die Modustaste und drücken Sie , um die Parameter zu ändern.</li> </ul>
	<ul style="list-style-type: none"> <li>• Ändern Sie die Timer-Einstellungen.</li> </ul>
Umschalten+ Modus 	Halten Sie die Taste 3 Sekunden lang gedrückt, um die Zeiteinstellung aufzurufen, und das Uhrensymbol leuchtet auf.
Schalter+ Taste Auf 	Halten Sie die Taste 5 Sekunden lang gedrückt, um eine manuelle intelligente Netzwerkverbindung herzustellen.
Schalter+ Abwärts-Taste 	Halten Sie die Taste 5 Sekunden lang gedrückt, um eine manuelle AP-Netzwerkverbindung herzustellen.

<p>Modus+Abwärts</p> 	<p>Halten Sie die Taste auf der Hauptschnittstelle 5 Sekunden lang gedrückt, um das Abtauen ein- oder auszuschalten.</p> <p>Halten Sie innerhalb von 5 Minuten nach dem Einschalten auf dem Abschaltbildschirm 10 Sekunden lang gedrückt, um die Kältemittelbefüllung zu starten oder zu beenden.</p>
<p>Taste Auf+ Taste Ab</p> 	<p>Halten Sie die Taste 3 Sekunden lang gedrückt, um zwischen Celsius und Fahrenheit zu wechseln.</p>

### 5.3 Anweisungen für die LCD-Anzeige des Drahtcontrollers

Symbol	Staat	Funktion oder Bedeutung	Bemerkung
	Aus	Derzeit im Abschalt- oder Nicht-Heizmodus	Anzeige des Ein/Aus-Status
	Immer eingeschaltet	Derzeit im Aufheizmodus	Anzeige des Ein/Aus-Status
SET	Immer eingeschaltet	Repräsentative Einstellungen	
°C	Immer eingeschaltet	Anzeige der Temperatur in Celsius	
°F	Immer eingeschaltet	Anzeige der Temperatur in Fahrenheit	
28.0	Immer eingeschaltet	Anzeige von Istwert, Sollwert und Fehlercode	

### 5.4 Betriebsmodi

Heizmodus

Dieses Gerät wurde speziell für Heizzwecke entwickelt, mit optimierter Energieeffizienz für kalte Umgebungen.

#### • Einstellung der Temperatur

- Temperaturbereich des Heizungsrücklaufwassers: 8°C (46°F) ~ 40°C (104°F).
- Passen Sie die Einstellungen an Ihren Komfort- und Heizbedarf an.

### 5.5 Systemschutz

Um einen sicheren und zuverlässigen Betrieb zu gewährleisten, ist das System mit mehreren Schutzmechanismen ausgestattet:

#### 5.5.1 Schutz vor niedrigen Umgebungstemperaturen

- Bei einer Umgebungstemperatur von  $9 \leq ^\circ\text{C}$  stellt das System den Betrieb ein und zeigt den Fehlercode E44 an. • Der Normalbetrieb wird automatisch wieder aufgenommen, wenn die Umgebungstemperatur auf  $\geq 11 ^\circ\text{C}$  steigt.

#### 5.5.2 Schutz vor hohen Umgebungstemperaturen

- Bei einer Umgebungstemperatur von  $\geq 43 ^\circ\text{C}$  stellt das System den Betrieb ein und zeigt den Fehlercode E44 an. • Der Normalbetrieb wird wieder aufgenommen, wenn die Umgebungstemperatur auf  $\leq 41 ^\circ\text{C}$  sinkt.

#### 5.5.3 Ausfall des Wassereinlass-Temperatursensors

- Wird ein Kurzschluss oder eine Unterbrechung des Wassereintrittstempertursensors festgestellt, schaltet sich das System zum Schutz ab und zeigt den Fehlercode E15 an.

#### 5.5.4 Ausfall des Umgebungstemperatursensors

- Wird ein Kurzschluss oder eine Unterbrechung des Umgebungstemperatursensors festgestellt, arbeitet das System normal, zeigt aber den Fehlercode E21 an.

#### 5.5.5 Ausfall des Spulentemperatursensors

- Wird ein Kurzschluss oder eine Unterbrechung des Spulentemperatursensors festgestellt, arbeitet das System normal, zeigt aber den Fehlercode E16 an.

## 5.6 Wasserdurchflussschalter defekt

Das System überwacht den Wasserströmungsschalter, um den ordnungsgemäßen Betrieb sicherzustellen:

### 5.6.1 Erkennungseinstellungen:

F47= 0: Geschlossener Schalter zeigt Fehler an.  
F47 = 1: Offener Schalter zeigt Fehler an.

F47= 2: Keine Fehlererkennung für den Wasserströmungsschalter.

### 5.6.2 Erkennung von Fehlern:

• Nachdem die Umwälzpumpe 10 Sekunden lang gelaufen ist, wird der Wasserströmungsschalter überprüft. Bleibt der Schalter 3 Sekunden lang im Fehlerzustand, stoppt das Gerät und zeigt einen Fehlercode an.

### 5.6.3 Störung zurücksetzen:

• Das System stoppt die Pumpe für 60 Sekunden und startet sie dann erneut, um zu prüfen, ob der Schalter normal ist. • Ist dies der Fall, nimmt das Gerät den Betrieb wieder auf. Ist dies nicht der Fall, wird eine Fehlerzählung aufgezeichnet.

### 5.6.4 Schutzmechanismen:

• Tritt der Fehler des Wasserströmungswächters innerhalb einer dreimal auf, stoppt die Pumpe den Zyklus, und ein Fehlercode wird angezeigt.

### 5.6.5 Wiederherstellung:

• Die Störung kann durch Wiedereinschalten des Wasserflussschalters oder Zurücksetzen der Stromversorgung behoben werden.

## 5.7 Andere Merkmale

Abschaltenschutzfunktion

- Die Systemparameter können voreingestellt werden und bleiben auch bei Stromausfällen gespeichert.
- Je nach Ausführung des Geräts können auch der Ein-/Aus-Status und der Status der elektrischen Heizung gespeichert werden. • Nach einer abnormalen Abschaltung oder einem Stromausfall wird das System entweder:
  - Bei einem Neustart in den Standby-Modus wechseln, oder
  - Stellen Sie den Zustand vor dem Stromausfall wieder her.

## 5.8 Tabelle der Fehlercodes und Parametereinstellungen:

Tabelle der Fehlercodes und Parametereinstellungen

Systemstörung (LED):

Schutz/Störung	Fernsteuerung
Ausfall des Wassereinlass-Temperatursensors	E15
Ausfall des Umgebungstemperatursensors	E21
Schutz vor niedrigen Temperaturen im Pool	E44
Schutz vor hohen Temperaturen im Schwimmbad	E44
Ausfall des Spulentemperatursensors	E16
Ausfall des Wasserflusses	E03

## 5.9 Tabelle Betriebsstatus

Status Name	Etikett anzeigen	Bemerkung
Fluor-Kreislauf/Wasser-Kreislauf	00	0= Wasserkreislauf; 1= Fluorkreislauf
Wasserströmungsschalter	03	0= offen; 1= geschlossen
Wert der Spulentemperatur	05	Gemessener Wert
Wert der Umgebungstemperatur	06	Gemessener Wert
Wassertemperatur am Einlass	09	Anzeigewert = Messwert + Kompensationswert
Kompressor	11	0 = Stopp; 1= laufen
Vier-Wege-Ventil	12	0 = Stopp; 1= laufen
Hohe Windgeschwindigkeit	13	0 = Stopp; 1= laufen
Kumulierte Betriebszeit des Kompressors vor der Abtattung	17	Gemessener Wert
Aktueller Modellierungswert	19	Werkzeugbau 0

## 6. Fehlersuche

Störung	Code	Grund	Lösung
Ausfall des Wassertemperatur sensors	E15	Unterbrechung oder Kurzschluss im Wassertemperatursensor.	1. Überprüfen Sie die Sensorverkabelung. 2. Ersetzen Sie den neuen Wassertemperatursensor.
Ausfall des Rohrleitungstemp eraturfühlers	E16	Unterbrechung oder Kurzschluss des Rohrleitungstemperaturfühlers.	1. Überprüfen Sie die Sensorverkabelung. 2. Ersetzen Sie den neuen Rohrleitungstemperaturfühler.
Ausfall des Umgebungstemp eraturesensors	E21	Unterbrechung oder Kurzschluss des Umgebungstemperaturesensors.	1. Überprüfen Sie die Sensorverkabelung. 2. Ersetzen Sie die neue Wassertemperatur.
Schutz vor zu niedriger oder zu hoher Umgebungstemp eratur	E44	1. Die Umgebungstemperatur liegt außerhalb des Betriebsbereichs: 11 °C-42 °C . 2. Ausfall des Controllers.	1. Warten Sie den Anstieg der Umgebungstemperatur auf 13 °C oder die Abkühlung auf 40 °C ab, um neu zu starten. 2. Ersetzen Sie das neue Steuergerät.
Ausfall des Wasserflusses	E03	1. Unzureichender oder fehlender Wasserdurchfluss. 2. Die Verkabelung des Wasserströmungsschalters ist lose.	1. Überprüfen Sie die Wasserpumpe oder das Wasserleitungssystem. 2. Überprüfen Sie die Verkabelung oder tauschen Sie einen neuen Wasserströmungsschalter aus.

## **7. Wartung**

- (1) Sie sollten das Wasserversorgungssystem regelmäßig überprüfen, um zu verhindern, dass Luft in System eindringt und der Wasserdurchfluss zu gering wird, da dies die Leistung und Zuverlässigkeit des HP-Geräts beeinträchtigen würde.
- (2) Reinigen Sie Ihr Schwimmbecken und Ihr Filtersystem regelmäßig, um eine Beschädigung des Geräts durch einen verschmutzten oder verstopften Filter zu vermeiden.
- (3) Sie sollten das Wasser aus der Wärmepumpe ablassen, wenn diese für längere Zeit nicht läuft (vor allem im Winter).
- (4) Auf andere Weise sollten Sie überprüfen, ob das Gerät vollständig mit Wasser gefüllt ist, bevor Sie es wieder in Betrieb nehmen.
- (5) Wenn das Gerät in Betrieb ist, läuft immer ein wenig Wasser unter dem Gerät ab.





