

ROBOTIC POOL FLOOR CLEANER
FRISBEE®-HJ1101J
FOR FLAT FLOOR ONLY



USER MANUAL

Thank you for purchasing Winny Robotic Pool Cleaner. If you have any questions or issues, please contact your local dealer for customer service.

Table of Contents

Important Precautions	1
I. Introduction	2
II. Appearance characteristics & structure	2
III. Specifications	3
IV. Operation instruction	5
V. Trouble shooting	18
VI. Buzzer information	19
VII. Packing list	19
VIII. Warranty	20

Important Precautions

1. Please read the manual carefully, and use the cleaner according to the manual. We are not held liable for any loss or injury caused by improper use.
2. Use the accessories recommended or sold by the manufacturer only.
3. This model mainly applies to swimming pools with a flat floor.
4. Please do not allow children to ride on it or play with it as a toy.
5. Use the original and authorized power adapter only.
6. If the charging line is damaged, it must be replaced by a certified professional.
7. Do not power on the cleaner when it is out of the water.
8. The charging line must be connected to a leakage protected and earthed socket when charging.
9. Do not operate the cleaner when there are people in the pool.
10. Always clean and wash the filter tray after use.
11. Power off the cleaner when maintaining, cleaning or not using it.
12. The cleaner should be stored in a cool and ventilated place, away from direct sunshine.
13. The cleaner should be stored in a cool place when charging, and not covered with anything to prevent the damage of internal electrical components caused by overheating.
14. Only professionals can disassemble the sealed driving kit of the cleaner.
15. Do not operate the cleaner while pool filter is running.
16. Oil seals for motor contain grease, which may cause water pollution if grease leaks occur.
17. Due to the limitation of battery capacity, the cleaner is only suitable for small swimming pools, otherwise it will affect the cleaning effect.
18. The cleaner should be charged every three months if it needs to be stored for a long time to maintain battery life between 40%-60%. Please use the original and authorized power adapter only. If the cleaner is not charged for a long time, the battery voltage will be lower than the over-discharge protection voltage due to the self-discharge of the battery, which may cause fatal damage. Please

pay more attention to it.

19. Do not use or store the cleaner near any heat source.

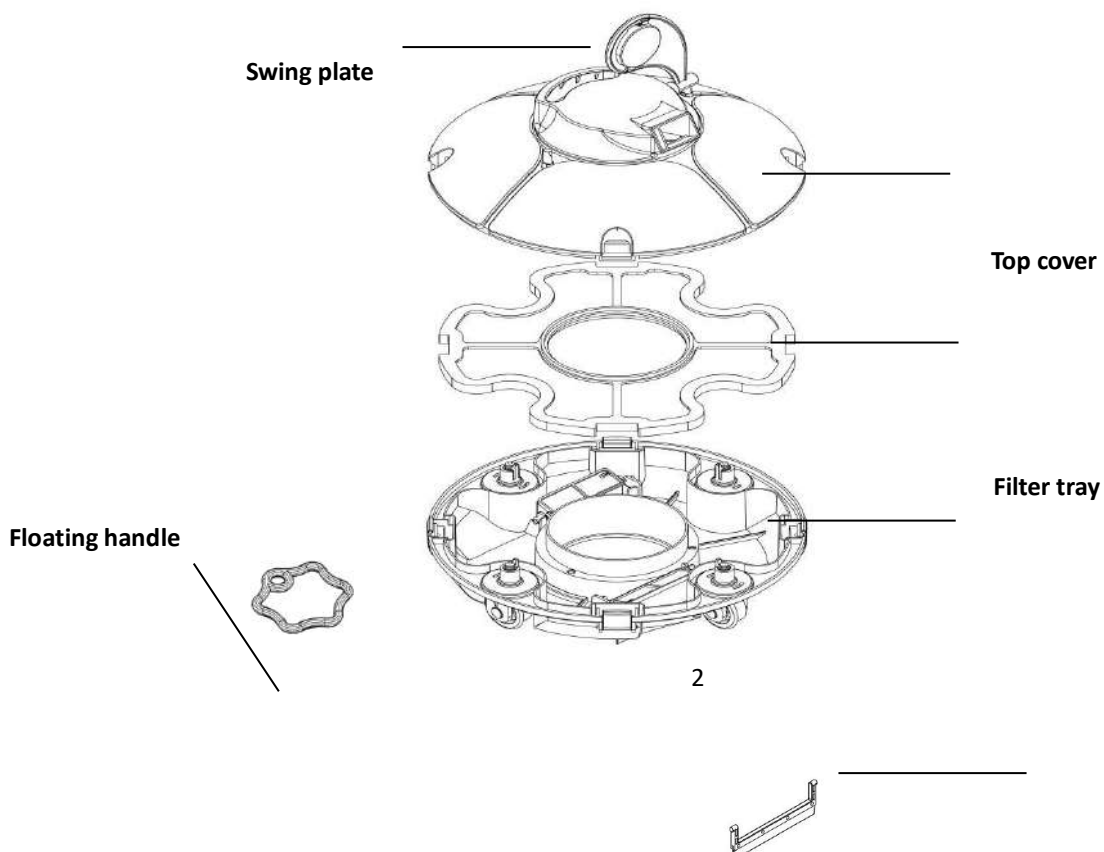
20. It is forbidden to pierce the shell of the cleaner with nails or other sharp objects. It is forbidden to hammer, impact or throw the cleaner.

I. Introduction

The robotic pool cleaner HJ1101J is a new type of rechargeable automatic cleaner that will filter the pool water and get rid of suspended particles without replacing the pool water. It's totally environmental-friendly.

Please read this user manual carefully before use.

II. Appearance characteristics & structure



Chassis

Scraper

III. Specifications

1. Name: Cleaner
2. Model: HJ1101J
3. Working voltage: 12.6V
4. Power: 30W
5. Working Cycle: 60min
6. Rated input voltage of adapter: 100Vac-240Vac
7. Input power of adapter: 47Hz-63Hz
8. Rated output current of adapter: 1A
9. Rated output voltage of adapter: 12.6V

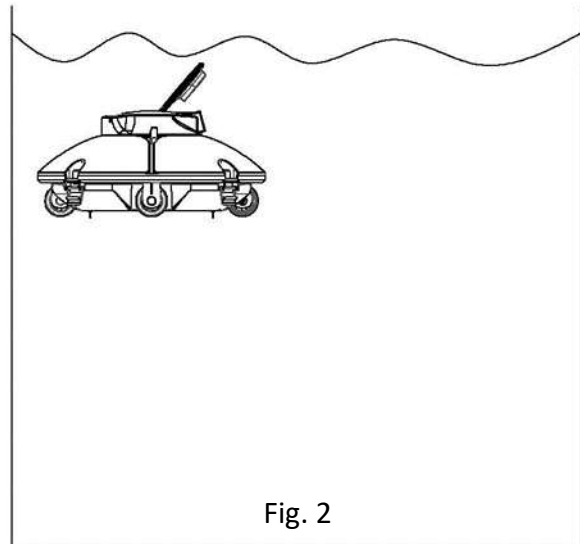
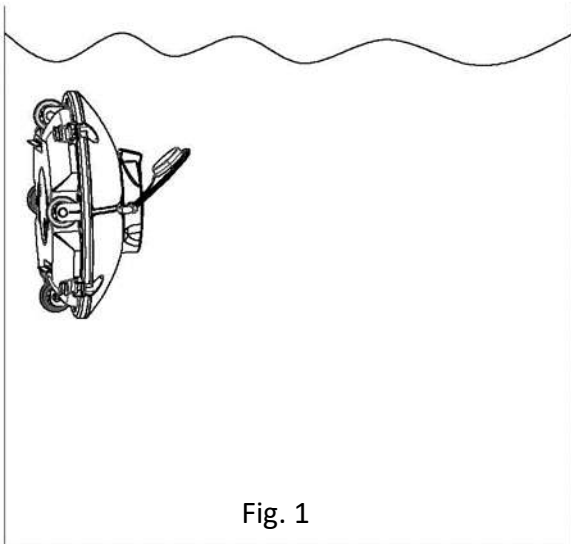
10. Charging time: 3-4h
11. Battery capacity: 2500mAh
12. Max. cleaning surface: 50m²
13. Filter capacity: appr. 42L/min
14. Filter capability: 180µm
15. Pool water temperature: 10°-35°C
16. Moving speed: appr. 16m/min
17. IP Grade: IPX8
18. Charging environment temperature: 0°-45°C
19. Max. Water depth: 2m
20. Size: 330 (L) * 330 (W) * 180 (H) mm
21. Weight: 3.5kg
22. Storage condition:
 - Short term (less than 1 month): -20°C-60°C, ≤75%RH
 - Medium term (less than 3 months): -20°C-45°C, ≤75%RH
 - Long term (more than 3 months): -20°C-20°C, ≤75%RH

IV. Operation instruction

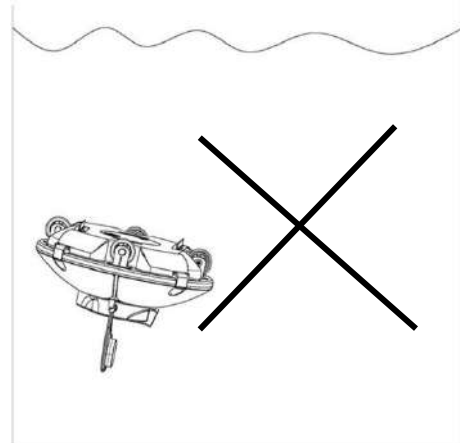
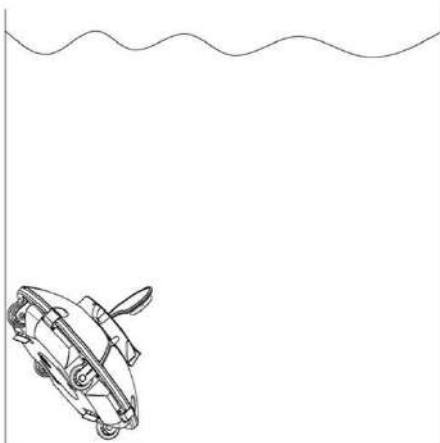
4.1. Precautions

a. When putting the cleaner into the pool, the air inside the cleaner should be discharged as follow:

- ① Hold the cleaner and submerge it vertically for 5-6 seconds until no bubbles come out (Fig. 1).
- ② Press the switch button to power on and rotate the cleaner 90 degrees.
- ③ Submerge it horizontally into the pool floor until a large number of bubbles are discharged from the nozzle (Fig. 2).



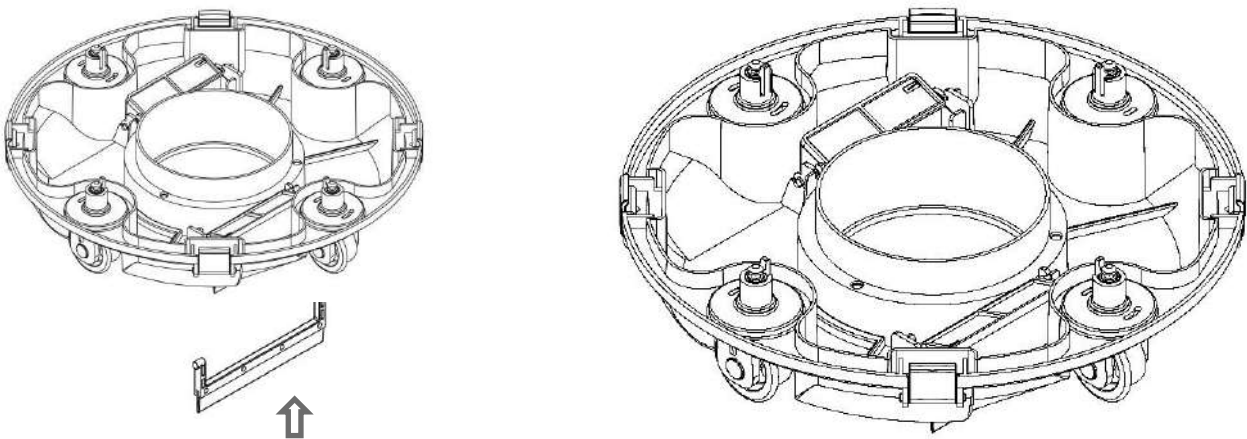
b. Put into or lift out of the pool with the cleaner bottom towards the wall to avoid any possible scratches to the pool.



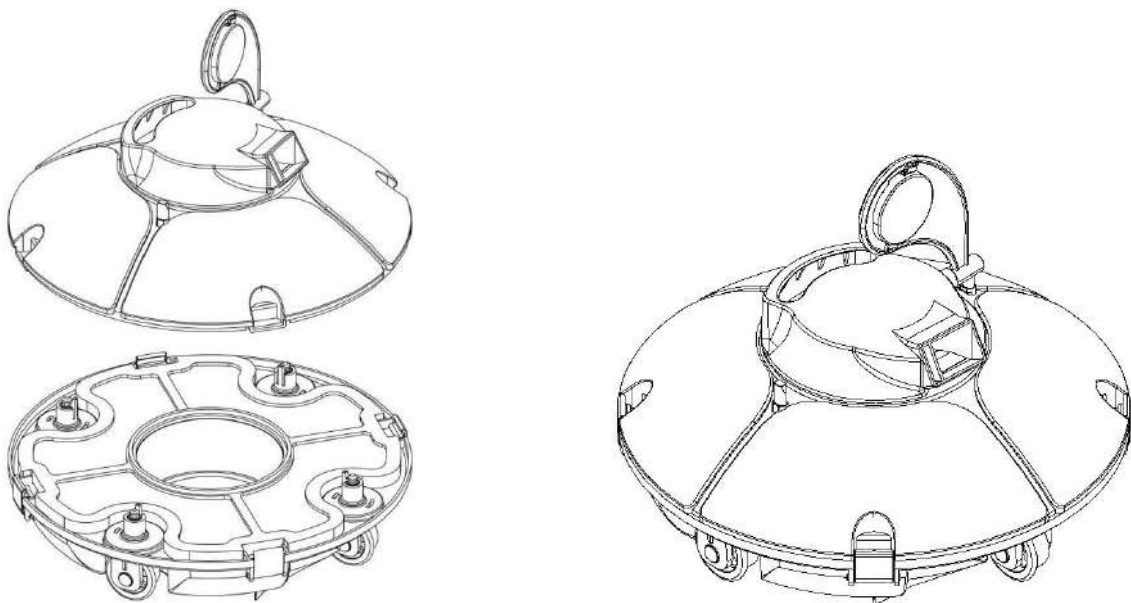
c. Install the swing plate and floating handle before use.



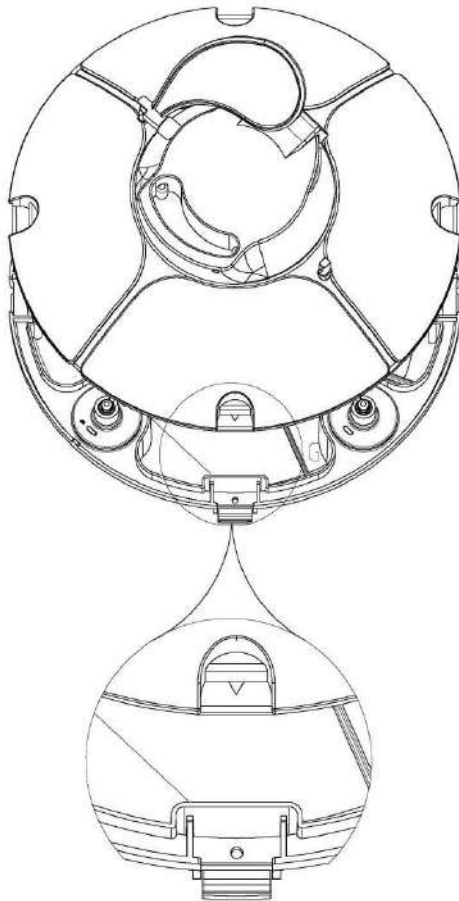
d. Install the scraper before use to avoid possible dirt leaks.



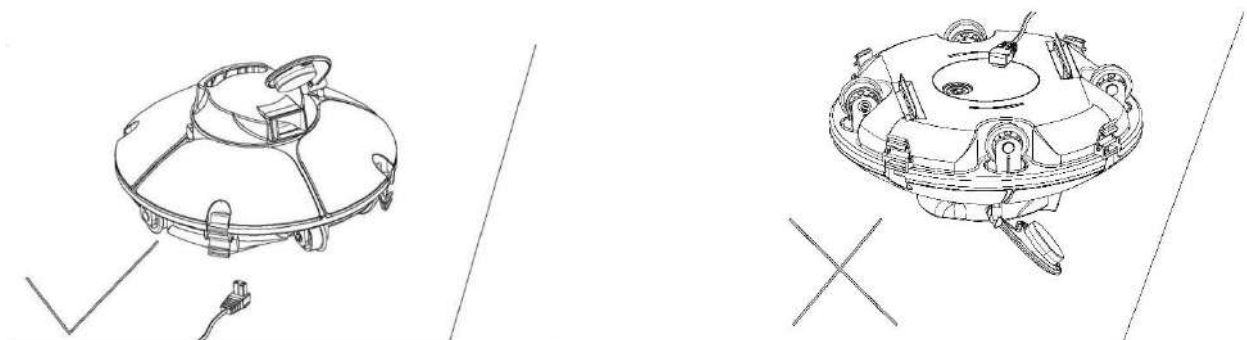
e. Please ensure that the top cover of the cleaner is tightly assembled to its chassis.



f. When fastening the top cover and chassis, please focus more on the installation direction as shown in the below figure: the arrow position near the buckle of top cover should be aligned with the hole position near the buckle of chassis.



g. When charging, it is strictly forbidden to face the bottom up to prevent the swing plate from being crushed.



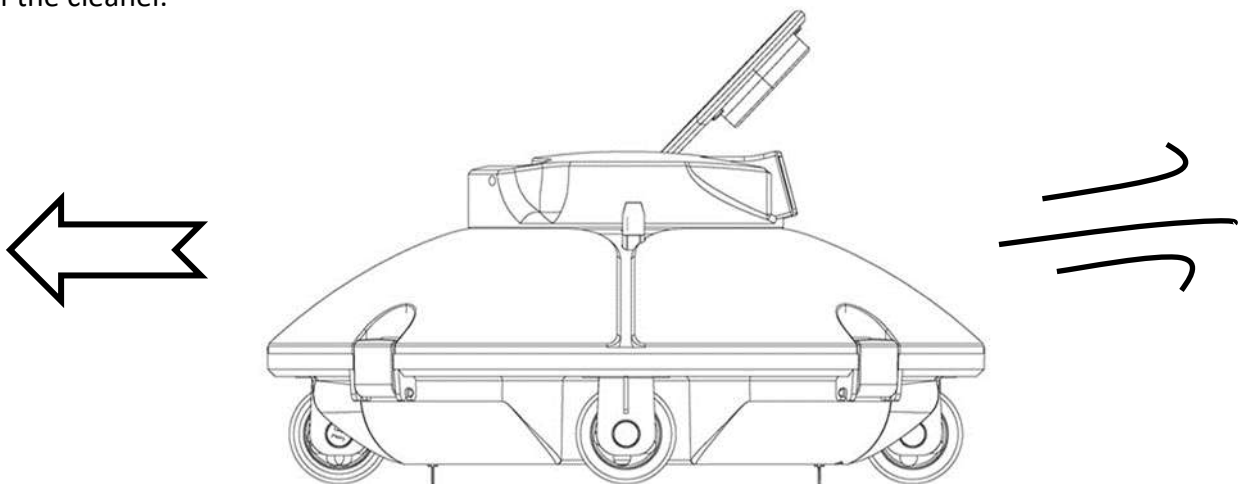
- h. Power off the cleaner after use.
- i. Do not touch the wall to avoid scratching the wall or damaging the cleaner when putting into or lifting out of the pool.
- j. Hold the cleaner on the water surface for 10-15 seconds until it empties before removing from the pool.
- k. Grab the floating handle and pull at the rope for lifting it on the water surface, and then grasp its handle to remove it from the pool.

4.2 Quick operation

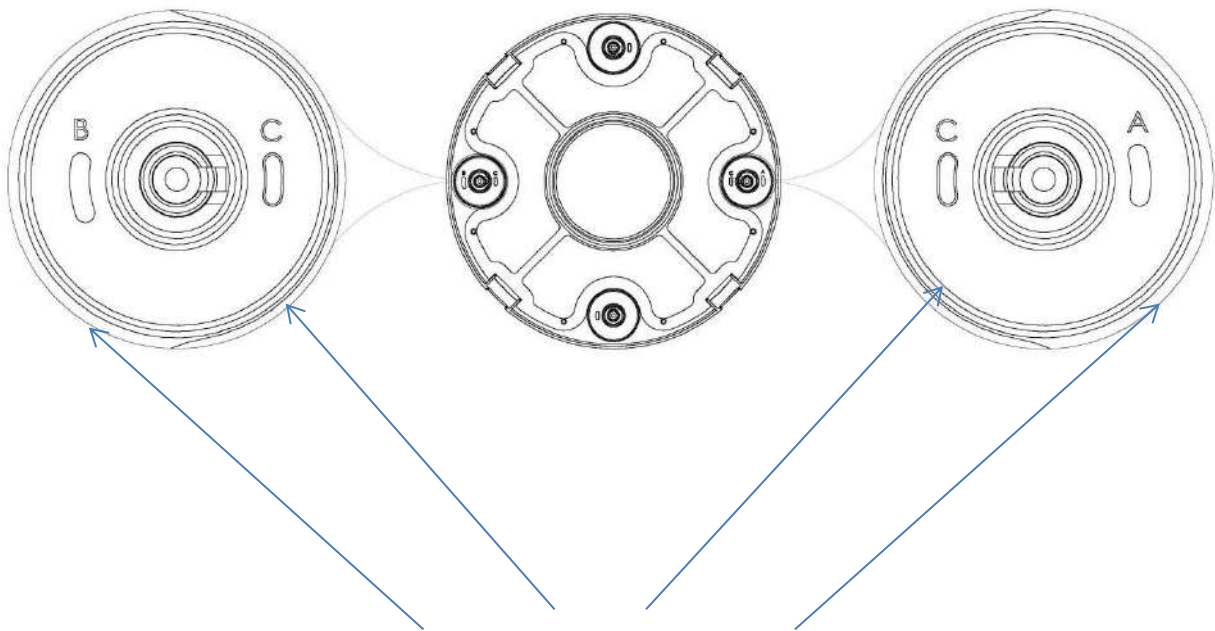
- a. Plug in the cleaner using the supplied adapter and charging line to charge the battery.
 - * Power off the cleaner before charging.
 - * Clean the charging port before charging.
 - * Red charging indicator indicates the battery is charging.
 - * Green charging indicator indicates charging is finished.
- b. Put the cleaner into water and let it stand horizontally for 5-6 seconds to discharge the air inside it. Press the switch to power on the cleaner.
- c. It will automatically reverse when it touches the wall.
- d. The cleaner will stop running after completing the working cycle. The floating handle can be hooked by a hook with a lengthened connecting rod, and the cleaner is pulled to the edge of the pool.
- e. Power-off operation: the buzzer will be alarming when lifting out of the pool. Press the switch to OFF and the cleaner will be shut down. Always clean the filter tray after use.

4.3 Functions and adjustment of wheels

There are 4 wheels on the cleaner, of which the left and right wheels are fixed. The front and back wheels can be selectively adjusted according to different conditions so as to adjust the running path of the cleaner.



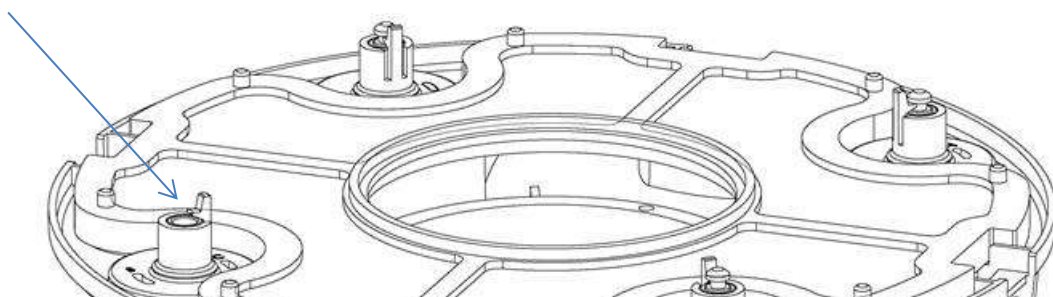
a. Setting wheel angle and running path



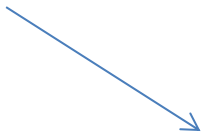
Groove for wheel limit piles

A, B, C are printed on the groove of the wheel limit pile of the chassis. Wheel limit piles will be installed by default on C (left) and A (right).

Wheel buckle



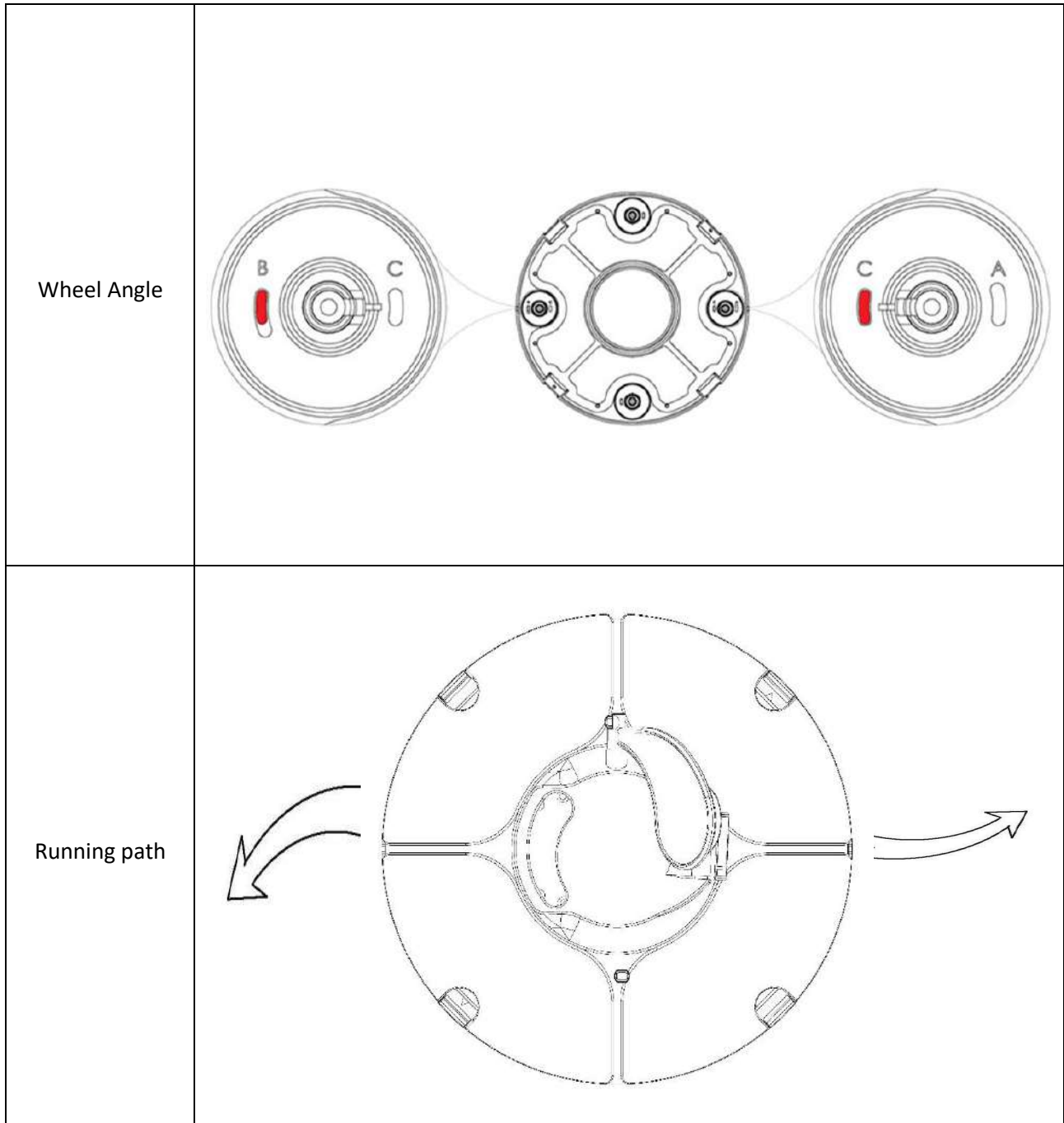
Wheel limit pile



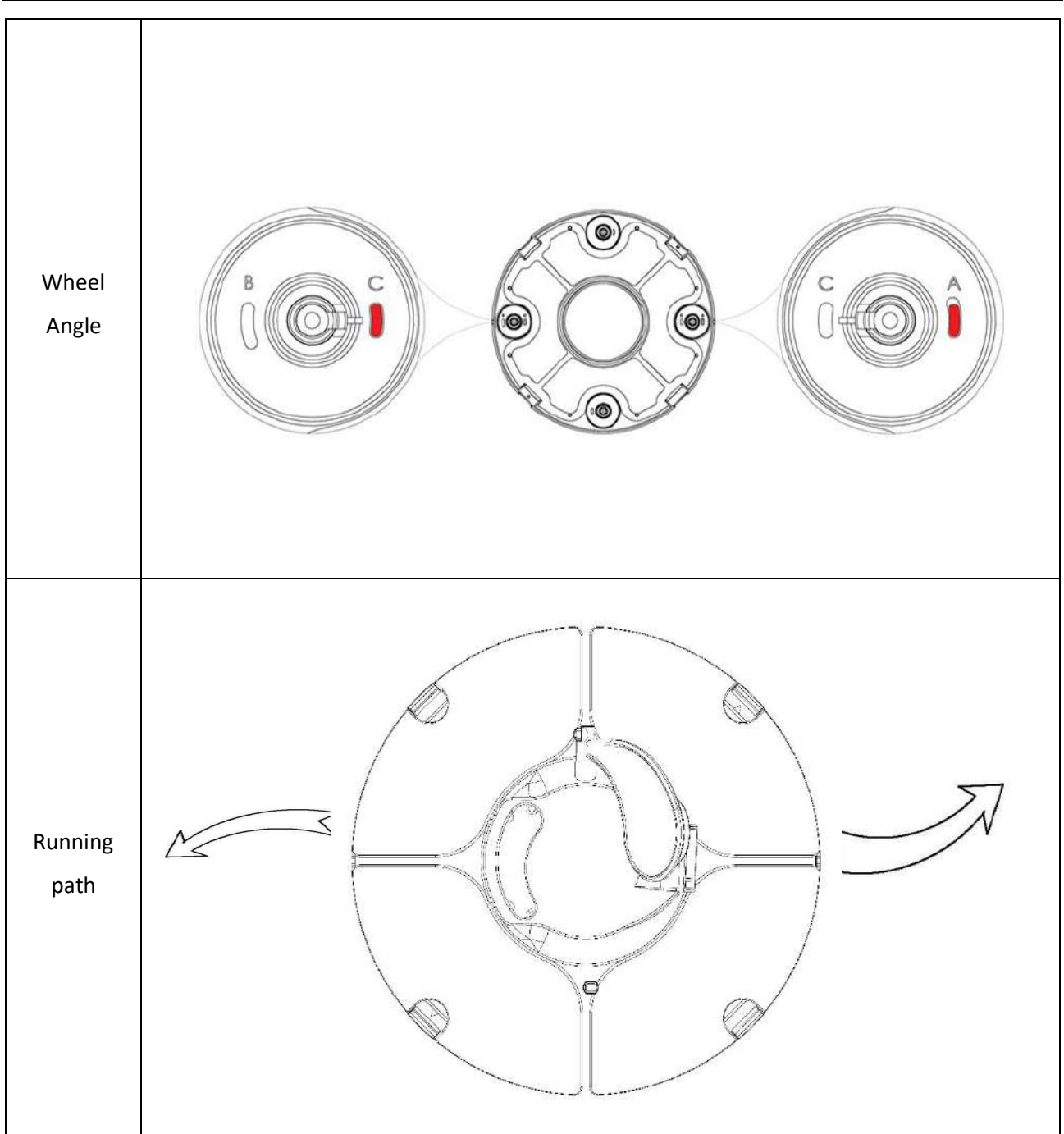
As shown in the figure, push the wheel buckle, pull down the wheel components, and remove them. Then re-install the limit pile into chassis to realize the different running paths.

b. Four settings for wheels are recommended:

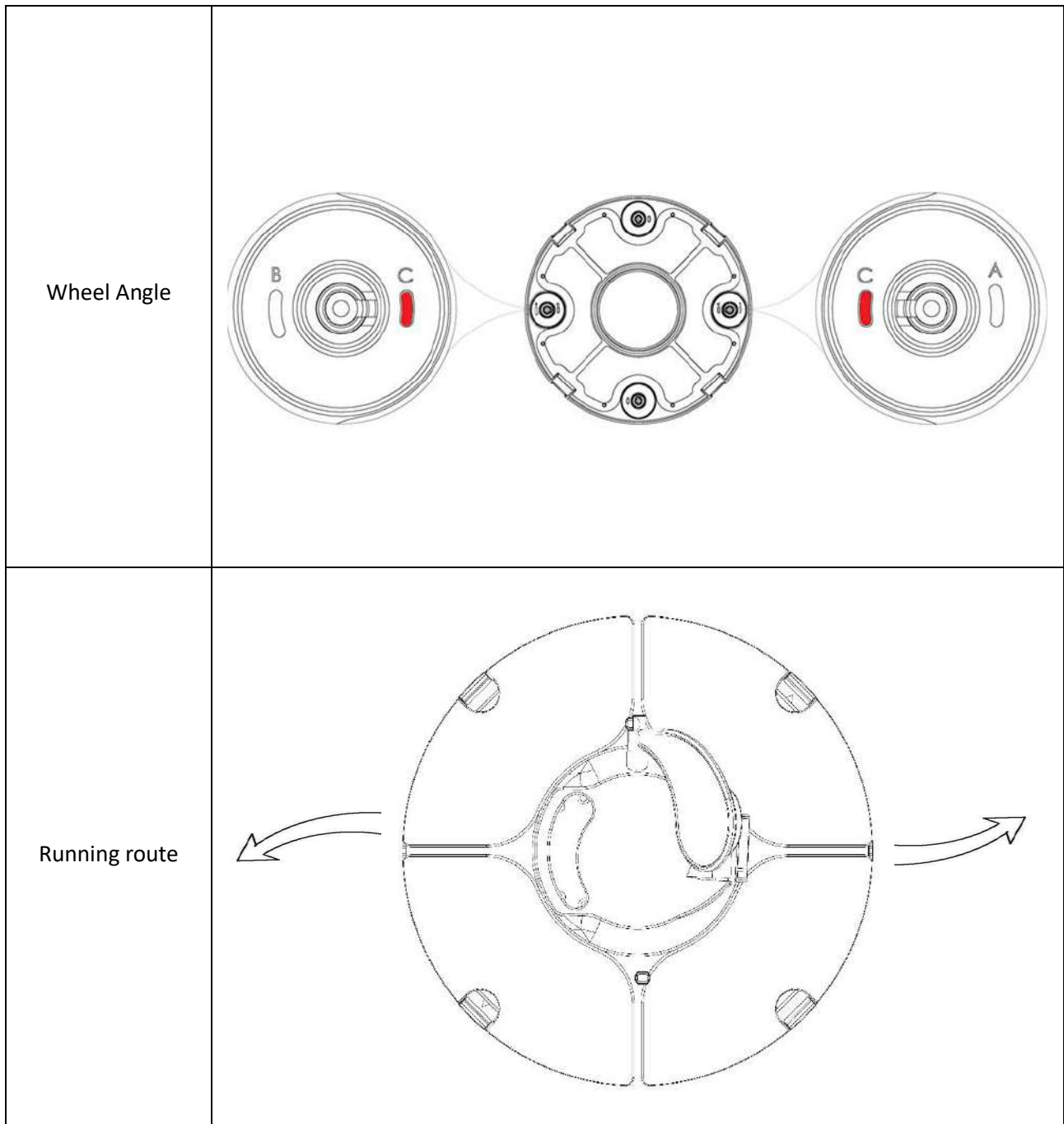
Setting 1: default setting: B-C, for most of pools



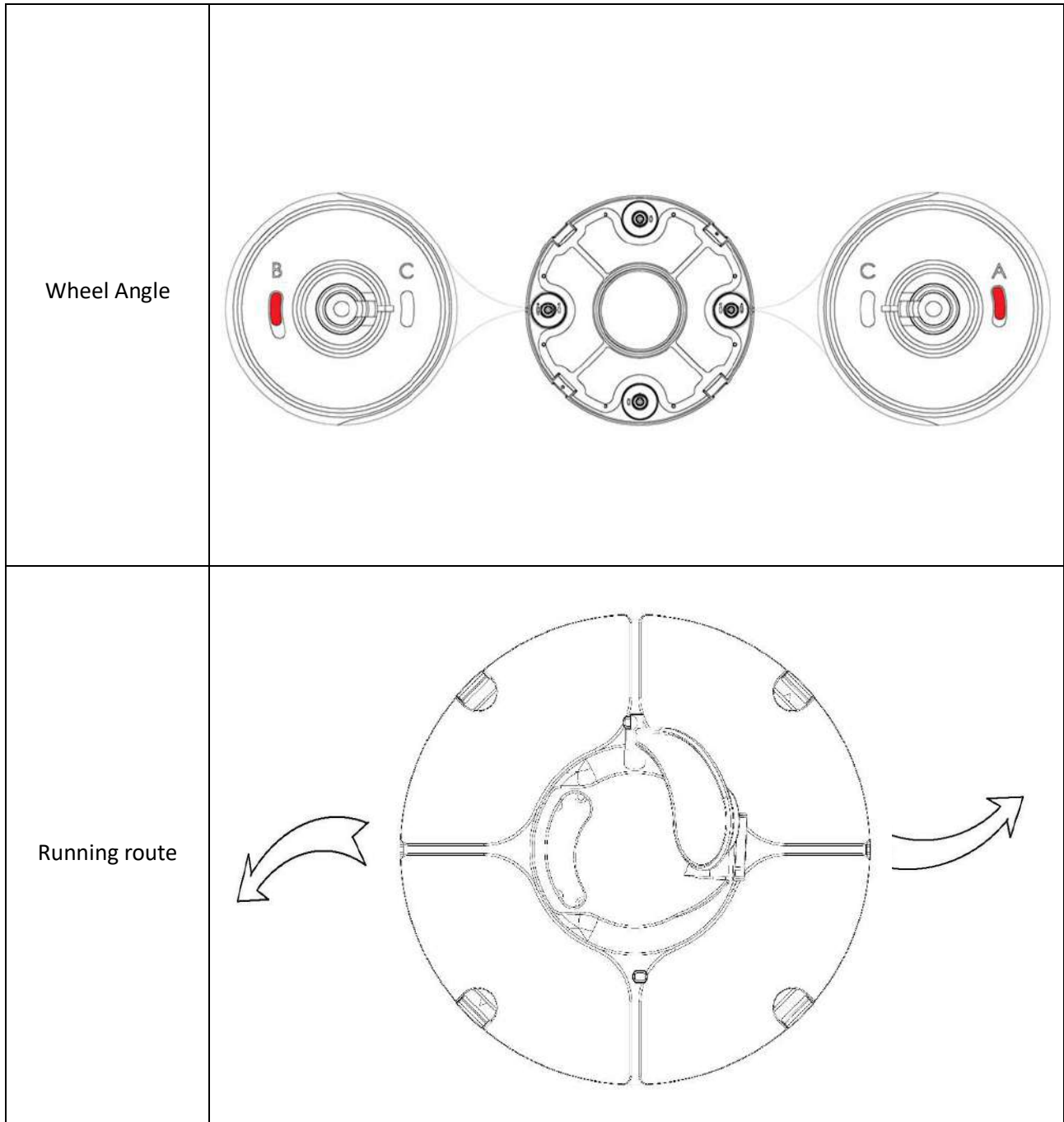
Setting 2: C-A, when the turning angle is too large



Setting 3: C-C, when the length and width of the swimming pool are large



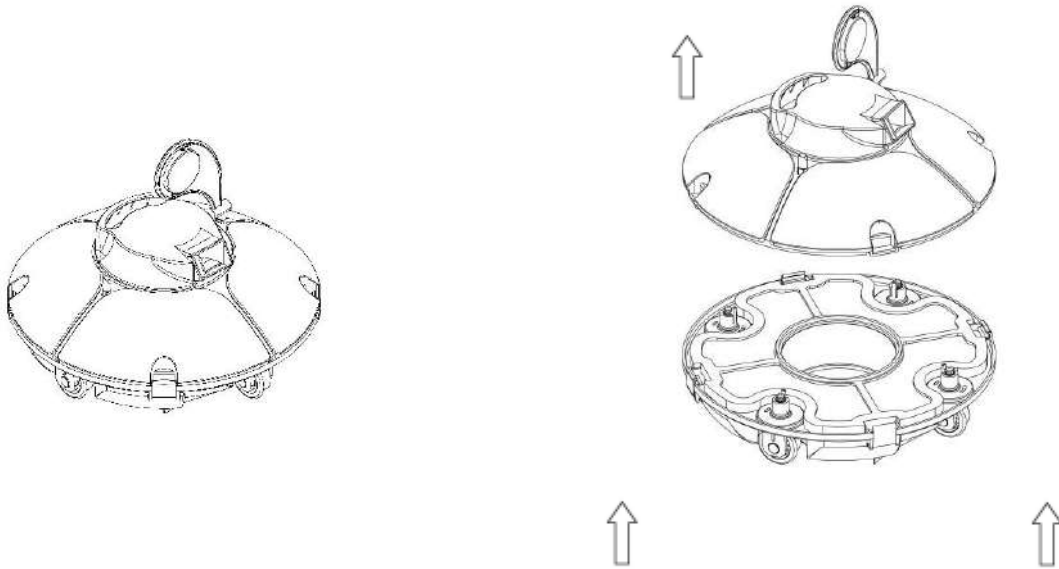
Setting 4: B-A, for round pools



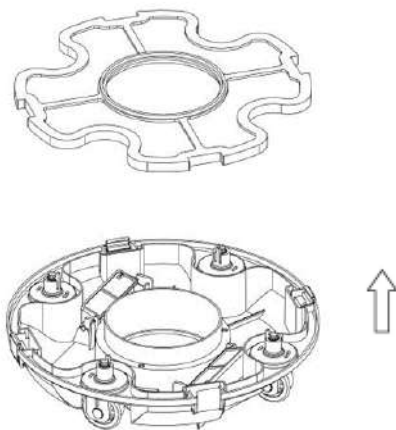
Note: These are the recommended settings. Different settings may work better for your pool.

4.4 Cleaning the filter tray

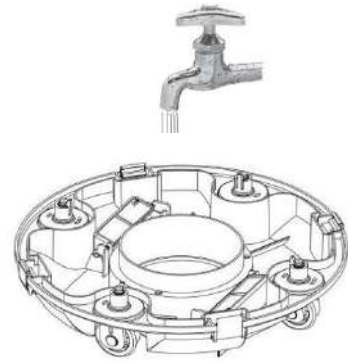
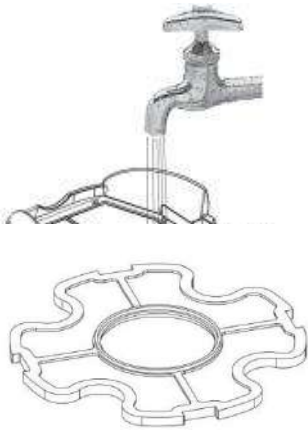
a. Open the cleaner by the clips



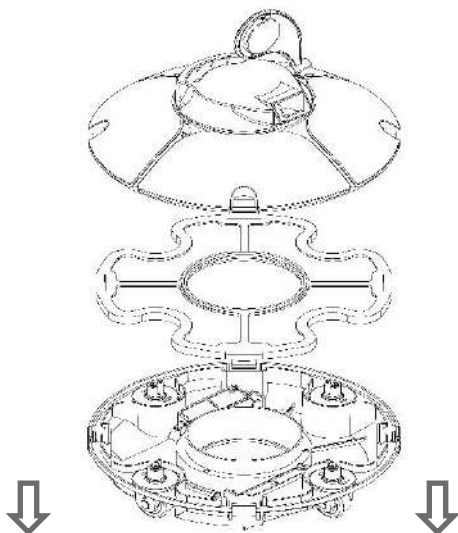
b. Take off the filter tray



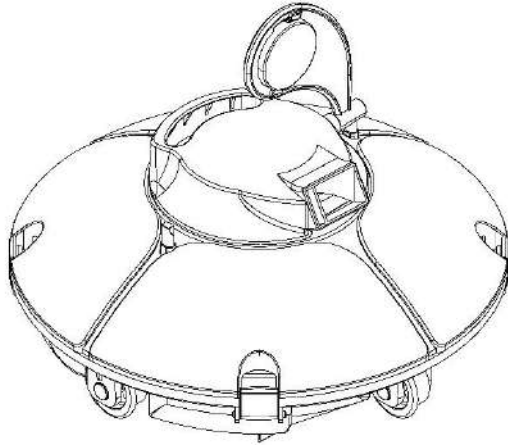
c. Clean the filter tray and chassis



d. Reassemble the cleaner



e. Clap on the clips



V. Trouble shooting

Symptom	Possible reason	Solution
Buzzer silent or impeller rotating after power on	Low battery	Recharge the battery
	Internal fault	Contact after-sales service
The buzzer still alarms or the impeller does not rotate after the cleaner is fully immersed in the water	Internal fault	Contact after-sales service
The swing plate cannot stand when the cleaner touching the wall	The swing plate is stuck	Remove the cleaner from the pool and try to manually rotate the swing plate or contact the after-sales service.
The swing plate can stand when the cleaner touching the wall, but the cleaner cannot reverse	The water channel is stuck	Try to manually overcome stuck condition
Charger indicator does not work	The adapter is damaged	Contact after-sales service
The cleaner does not have a full coverage for the floor	Improper wheel angel	Adjust wheel position (see 4.3 Functions and adjustment methods of wheels)
	Special pool shape	Adjust wheel position (see 4.3 Functions and adjustment methods of wheels)
	Swimming pool water circulation system is on	Shut down the system

VI. Buzzer information

State	Expression
Power on	Buzz before not fully immersed in the water; Stop buzzing after fully immersed in the water
Power off	Stopping buzzing

VII. Packing list

Item	Name	Model	QTY (pc)	Application	Remark
1	Cleaner body	HJ1101J	1		In carton
2	Adapter		1		In carton
3	User manual & certificate		1		In plastic bag
4	Scraper		2		In plastic bag
5	Tow rope (with a floating ball)		1		In plastic bag
6	Floating handle		1		In plastic bag
7	Swing plate		1		In plastic bag

VIII. Warranty

This product has passed all quality control and safety tests, conducted by the technical department of the factory.

Warranty information:

1. The warranty is covered for 12 months from the date of its original purchase.
2. This warranty is void if the product has been altered, misused, or has been repaired by unauthorized personnel.
3. The warranty extends only to manufacturing defects and does not cover any damage resulting from mishandling of the product by the owner.
4. The sales invoice must be presented for any claim or repair during the warranty period.

Please contact your local dealer for any warranty issues.

