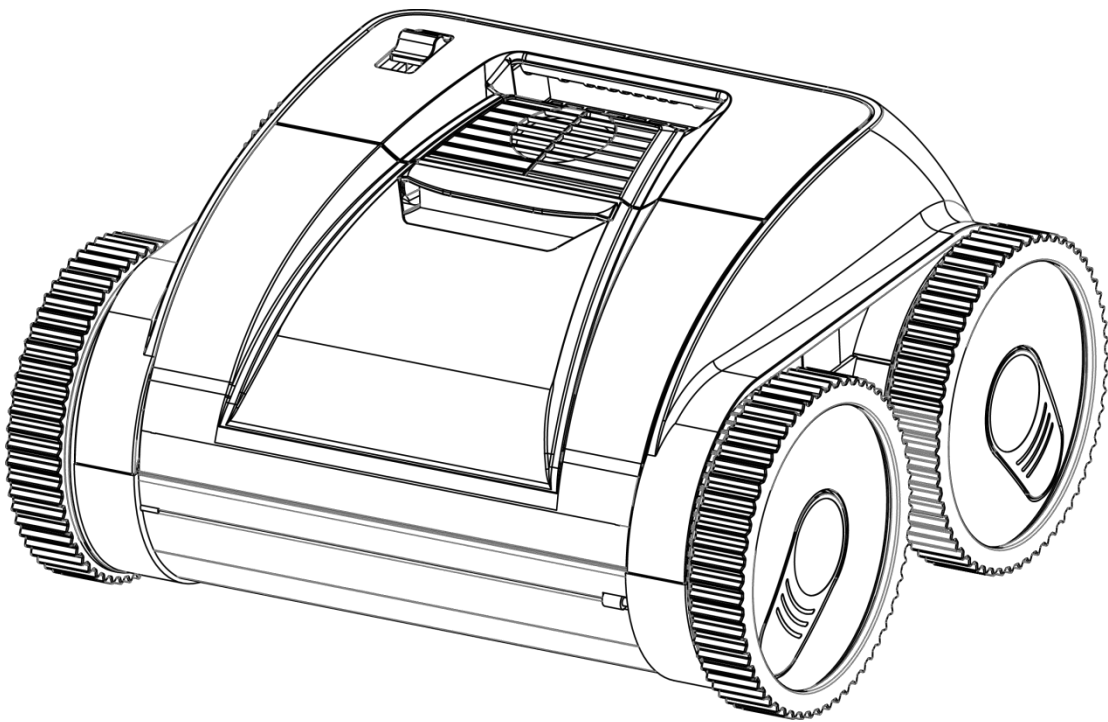




ROBOTIC POOL CLEANER

Model: HJ3172



USER MANUAL

Important Precaution

Thank you for purchasing Winny Robotic Pool Cleaner. Please read through the entire manual before using your new robotic pool cleaner. We are not held liable for any loss or injury caused by improper use.

READ AND FOLLOW ALL INSTRUCTIONS



CAUTION

Failure to comply with the following cautions could cause damage to pool cleaner or personal loss and injury.

1. The cleaner must be operated as specified.
2. Use only spare parts recommended or sold by manufacturer.
3. Do not let children under 8 or person with psychological disease to use this product. Do not let anyone, especially small children, ride on the cleaner or play the cleaner as a toy.
4. To avoid accident, make sure that the cleaner is out of water while charging. Put the cleaner and charger indoor or inside waterproof instruments.
5. Use only original charger.
6. Dry the charging port after removing the cleaner out of water and make sure the cleaner is switched off (the indicator is off) if you want to charge the cleaner.
4. Do not use the cleaner in your pool if the water temperature is above 35°C or below 10°C.
5. Do not switch on the cleaner when it is out of water.
6. Do not enter pool while the cleaner is in water.
7. Connect charger to receptacle protected by a ground fault circuit interrupter (GFCI).
8. Use only original charger, do not use this charge for any other battery products.
9. To avoid danger, do not operate the cleaner when there are people in the pool.
10. Do not switch on the cleaner if it's out of water.
11. Always clean and wash the filter basket in the cleaner after each use.
12. The cleaner should be stored in a cool and ventilated place, away from direct sunshine.
13. Do not attempt to open the power kit by yourself.

14. Charge the cleaner before battery is exhausted. Stop the cleaner and charge it when power is decreased.
15. Do not over charge the cleaner which will reduce the battery life.
16. Grease is contained in pump motor seals, if ever there is leakage, water can be slightly contaminated.
17. Charge the cleaner between 5°C to 35°C. Cool the cleaner before charge if it is too hot.
18. The cleaner should be charged every 3 months if it needs to be stored for a long time to maintain battery life.
19. Do not strike the cleaner with sharp objects.
20. Do not charge or use or store the cleaner near hot source or extremely high temperature.

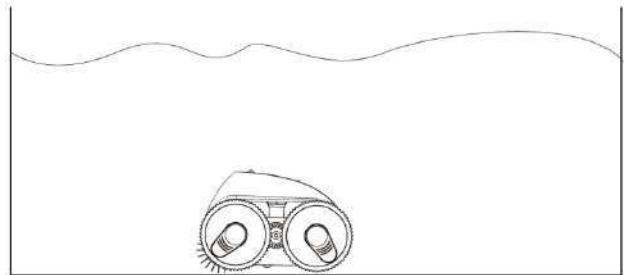
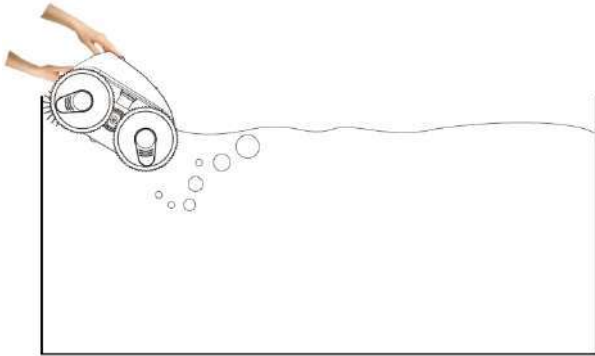
SAVE THESE INSTRUCTIONS

Contents

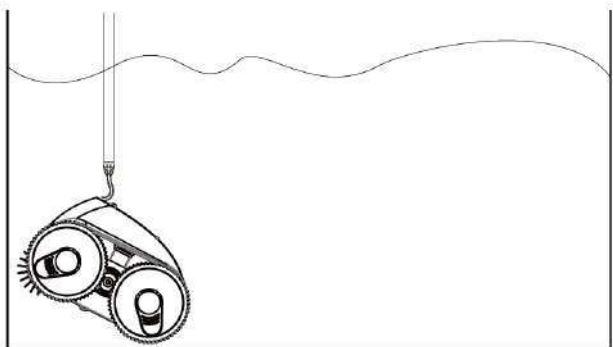
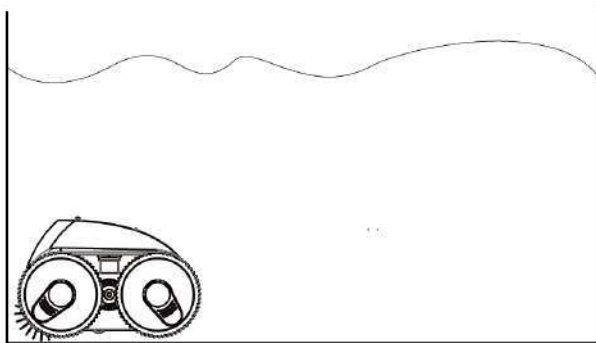
Important Precaution	1
Attention	4
1. Brief Introduction	5
2. security	5
3. General Specification	6
4. Operation	7
4.1 Switch button and indicator	7
4.2 How to charge	8
4.3 Filter cleaning	9
5. Packing list	10
6. Warranty	11

Attention

1. Put into the pool with the cleaner bottom towards the wall. Hold the top handle and switch on the cleaner. The cleaner will start working after 20 seconds when emptying trapped air inside (make sure to empty the inside air in order to make the robot work well), then the cleaner can immerse into the pool floor.



2. The cleaner will move to pool edge when finish working, then use the hook to lift it out of the pool.



1. Brief Introduction

The robotic pool cleaner HJ3172 is a new type of highly efficient and energy-saving swimming pool cleaning robot. It cleans the pool walls and bottom automatically without replacing the pool water. It is totally environmental-friendly.

For safe operation, the cleaner is powered by a rechargeable lithium battery (12.6V, 8.6Ah).

2. security

2.1. Charging position, refer to important precaution 4.

2.2 Use only original charger, do not use this charge for any other battery products.

2.3 Switch off the cleaner before charging.

2.4 Do not switch on the cleaner while charging.

2.5 Working temperature: 10°C-35°C

2.6 Charge the cleaner before battery is exhausted. Stop the cleaner and charge it when power is decreased.

2.7 Do not over charge the cleaner which will reduce the battery life.

2.8 Charging temperature :5°C to 35°C. Cool the cleaner before charge if it is too hot.

2.9 every 3 months if it needs to be stored for a long time.

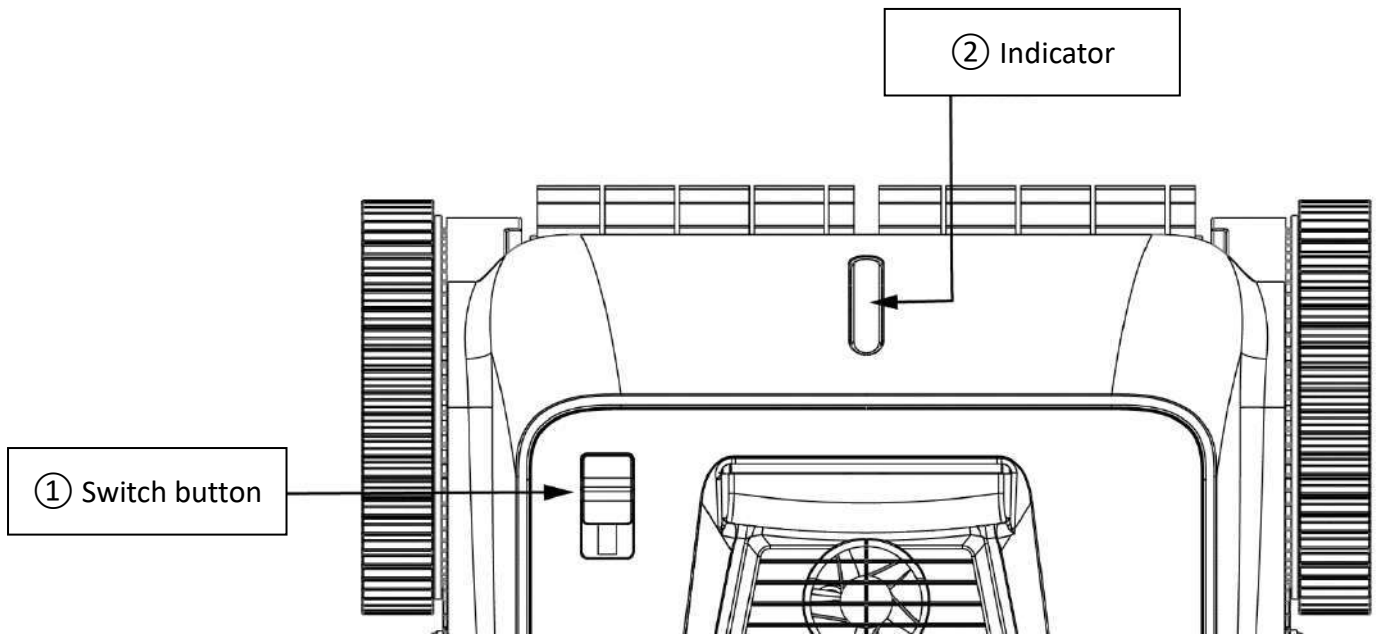
2.10 Make sure the charging port is dry befor charging.

3. General Specification

Rated input voltage of charger	100VAC-240VAC
Rated input frequency of charger	50Hz/60Hz
Max. charging voltage	12.6VAC
Charging current	1.8A
Running time	max. 90min
Flow rate	max. 10m ³ /h (appr. 2642gal/h)
Filter density	180μm
Running speed	max. 11m/min (appr. 36ft/min)
IP Grade	IPX8
Max. water depth	2m (appr. 6.6ft)
Working (water)temperature	10°C- 35°C
Charging temperature	5°C- 35°C

4. Operation

4.1 Switch button and indicator

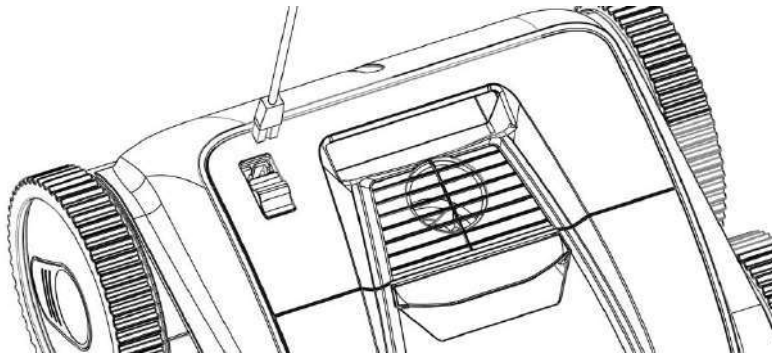


Item	Function	Description
①	Switch to power on/off	<p>Push the button to ON to power on the cleaner;</p> <p>Push the button to OFF to power off the cleaner.</p> <p>Remark: the cleaner starts to clean the wall firstly for around 15 minutes, then the floor, then a second cycle.</p>
②	Indicator	<ol style="list-style-type: none"> 1. Blue light is steady on: power on 2. Blue light flashes: the cleaner is working 3. Yellow light flashes: low battery and start to self-parking 4. Yellow light is steady on: self-parking finished

4.2 How to charge

4.2.1 Remove the cleaner from the pool

- ① Switch off (No indicator flashes) the cleaner
- ② Charge the cleaner indoor and at least 3m (appr. 10ft) from the edge of the pool for charging.
- ③ Red light indicates the battery is being charged.
- ④ Green light indicates the charging is finished.



4.2.2 Charger indicator

Color & Status of indicator	Charging status
Green light is steady on	Waiting for charging or battery not plugged or charging finished
Red light is steady on	The battery is being charged
Red light flashes	Low battery or battery damaged

4.3 Filter cleaning

4.3.1 Open the top cover: Put the robot aside the pool and open the top cover (Figure 4-1), the filter basket is located as show in Figure 4-2.

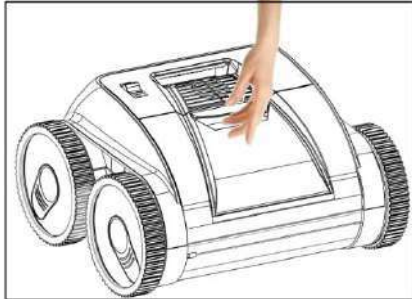


Figure 4-1

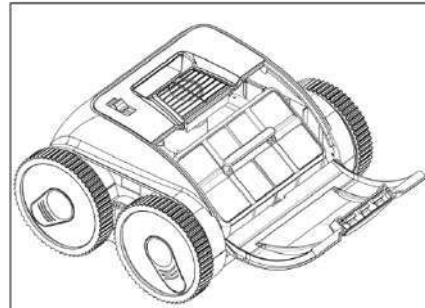


Figure 4-2

4.3.2 Take out the filter basket (Figure 4-3)

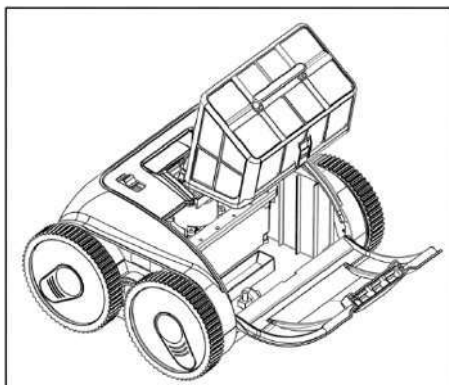


Figure 4-3

4.3.3 Wash filter basket (Figure 4-4)

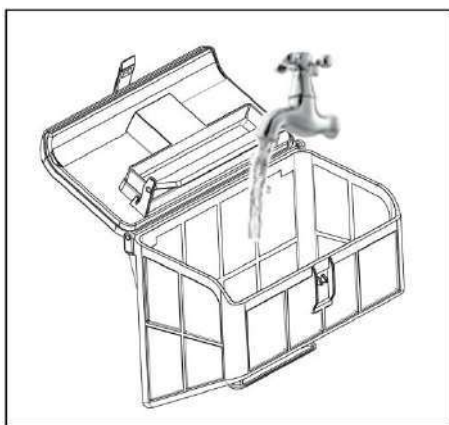


Figure 4-4

4.3.4 Re-install the filter basket in reverse steps

5. Packing list

Item	Name	Model	QTY (pc)	Remark
1	Cleaner	HJ3172	1	In carton
2	Charger		1	In plastic bag
3	User manual		1	In plastic bag
4	Hook		1	In plastic bag

6. Warranty

This product has passed all quality control and safety tests, conducted by the technical department of the manufacturer.

Warranty information:

1. The warranty is covered for motors and PCB for 12 months from the date of its original purchase.
2. This warranty is void if the product has been altered, misused, or has been repaired by unauthorized personnel.
3. The warranty extends only to manufacturing defects and does not cover any damage resulting from mishandling of the product by the owner.
4. The sales invoice must be presented for any claim or repair during the warranty period.

Please contact your local dealer for any warranty issues.



Environmental Programmes, WEEE European Directive



Please respect the European Union regulations and help to protect the environment.

Return non-working electrical equipment to a facility appointed by your municipality that properly recycles electrical and electronic equipment. Do not dispose them in unsorted waste bins.

For items containing removable batteries, remove batteries before disposing of the product.