



# Super Pump® VSTD

## THE ORIGINAL REVISITED

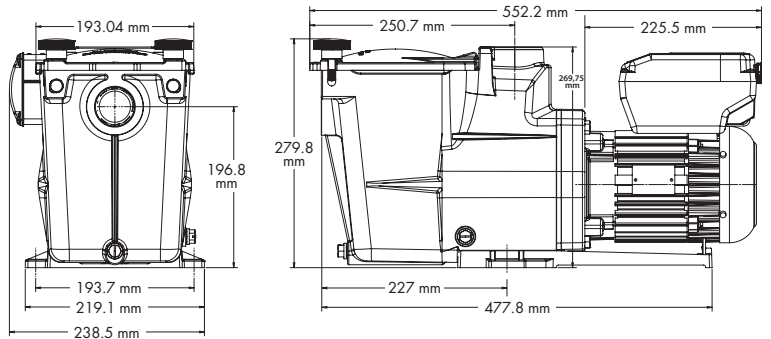
- 1 HP and 1.5 HP available
- Direct replacement of a single-speed Super Pump®
- Smart Inverter + Permanent Magnet Motor + synchronized motor : electricity saving up to 85%\*
- Versatile and **extremely quiet**
- Easy to use **digital user interface**
- **180° rotary box for convenient access** to the user interface
- **Ease of installation for electrical connections**
- Recommended for pools **up to 70 m<sup>3</sup>\*\***



\* Running at low speed. Electricity savings of 65% are generally achieved.  
 \*\* Running at low speed 24 hours



2" (1,5" threaded adaptor included for 1HP)

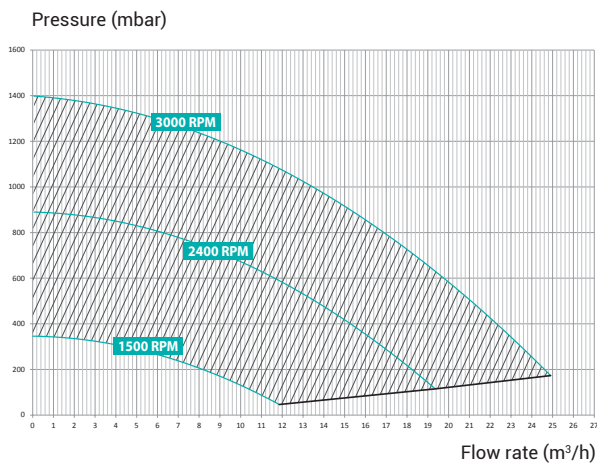


The intuitive control module displays relevant information such as real-time energy consumption. Improved control box, with the addition of five daily programs. "Skimming" function that allows the surface to be automatically skimmed every 1, 2 or 3 hours. **Timer Mode.**

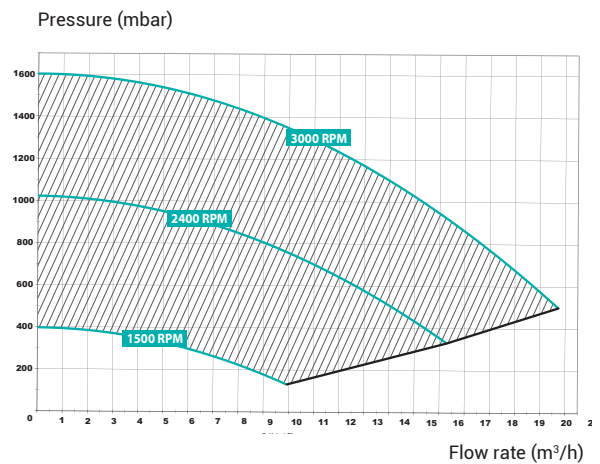
### Technical Specifications

Max. water temp.	35°C
Mechanical seal	AISI 304, suitable for salt water
Motor-drive specifications	Class F, IP55, 50 Hz, Brushless VFD
Housing/impeller/strainer/lid	PP+GF/Noryl® + GF/ABS/PC

### • 1 HP Curve



### • 1.5 HP Curve



	Speed	Type	I/O	Flow rate*	Input Power P1	Output Power P2	Amperage	Item
SUPER PUMP® VSTD	600 - 3000 RPM (20 rpm)	1 HP	2" / 1.5"	@10 m: 13.8 m <sup>3</sup> /h @8 m: 16.5 m <sup>3</sup> /h	950 W	750 W	4.4 A	SP2611VSTD
	600 - 3000 RPM (20 rpm)	1.5 HP	2"	@10 m: 16 m <sup>3</sup> /h @8 m: 18 m <sup>3</sup> /h	1240 W	1100 W	5.9 A	SP2616VSTD

\*at 3000 Rpm