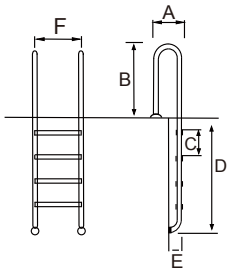
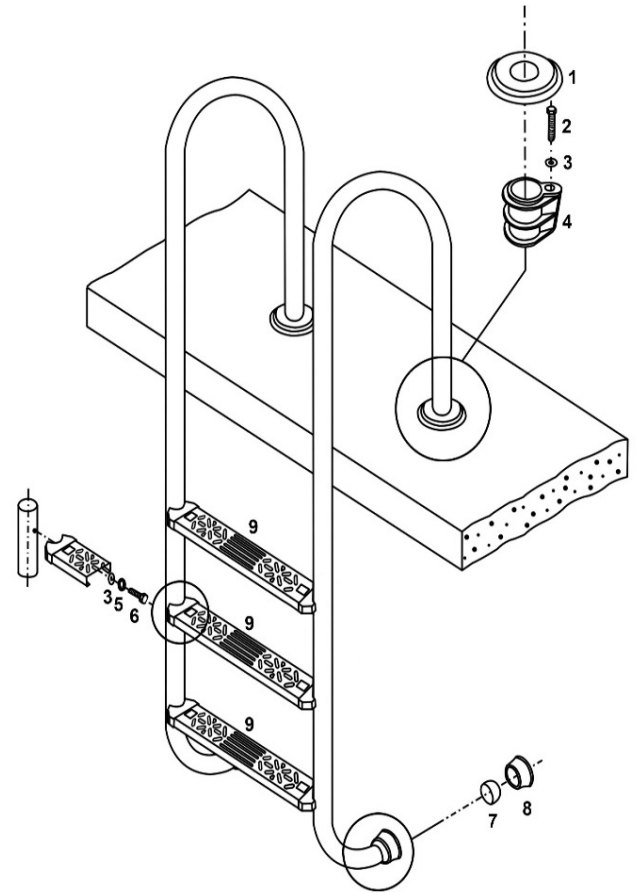


Swimming Pool Ladder Model:MC

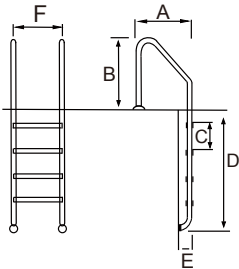


Units:mm

Model	Steps	A	B	C	D	E	F
MC215	2	320	630	250	680	180	500
MC315	3	320	630	250	930	180	500
MC415	4	320	630	250	1180	180	500
MC515	5	320	630	250	1430	180	500



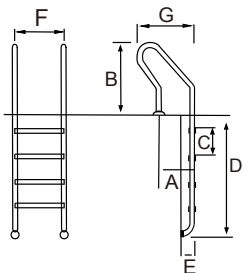
Swimming Pool Ladder Model:SL



Units:mm

Model	Steps	A	B	C	D	E	F
SL215	2	645	720	250	600	180	500
SL315	3	645	720	250	850	180	500
SL415	4	645	720	250	1100	180	500
SL515	5	645	720	250	1350	180	500

Swimming Pool Ladder Model:SF



Units:mm

Model	Steps	A	B	C	D	E	F	G
SF215	2	320	640	250	690	180	500	490
SF315	3	320	640	250	940	180	500	490
SF415	4	320	640	250	1190	180	500	490
SF515	5	320	640	250	1440	180	500	490

Fitting Kits

The fitting kit contains all the parts necessary for assembly. The accessories differ according to the type of ladder and the number of steps.

Number	3 steps	4 steps	5 steps
1	2	2	2
2	2	2	2
3	8	10	12
4	2	2	2
5	6	8	10
6	6	8	10
7	2	2	2
8	2	2	2
9	3	4	5