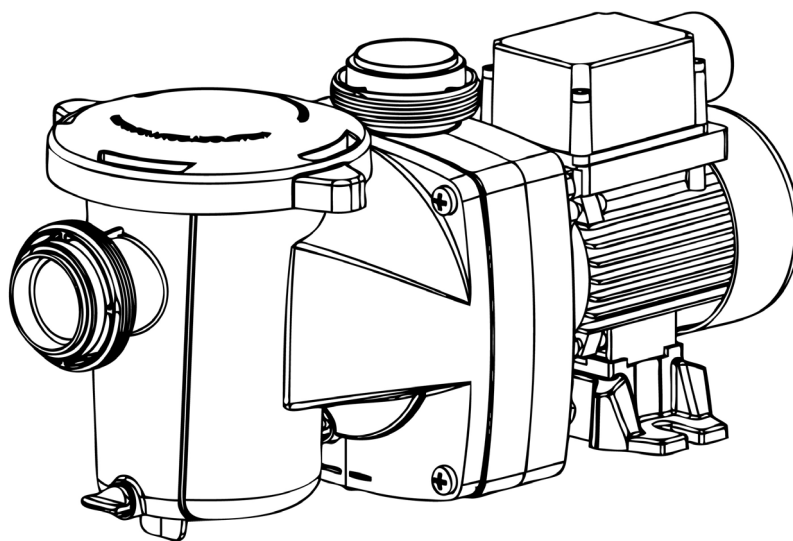




FREEFLO™

HIGH PERFORMANCE PUMP

**INSTALLATION GUIDE / INSTALLATIEHANDLEIDING
BEDIENINGSANTLEITUNG / GUIDE DE L'INSTALLATION
GUIA DE INSTALACION / GUIDE ALL'INSTALLAZIONE**



English
2

Deutsch
8

Nederlands
14

Français
20

Español
26

Italiano
32

IMPORTANT SAFETY INSTRUCTIONS READ AND FOLLOW ALL INSTRUCTIONS SAVE THESE INSTRUCTIONS

EUROPE	AUSTRALIA	SOUTH AFRICA
Pentair Water Belgium B.V.B.A	Pentair Water Australia	Pentair Water South Africa
Industriepark Wolfstee Toekomstlaan 30	1-21 Monash Drive Dandenong South	24 Vuurslag Street Spartan Ext7
B-2200 HERENTALS	VICTORIA 3175	GAUTENG 1619
BELGIUM	AUSTRALIA	SOUTH AFRICA
www.pentairpooleurope.com	www.pentairwater.com.au	www.kreepykrauly.co.za

Declaration of conformity

Standards used for showing compliance with the essential requirements in the directive 2006/42/EC

- EN60335-1

- EN60335-2-41



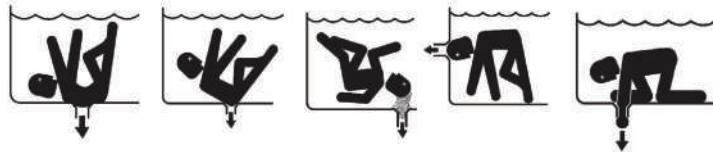
The manufacturer, Pentair, has the right to modify the products without previous notice for as far as the characteristics are not really changed by this.

© 2013 Pentair, Inc. All rights reserved. This document is subject to change without notice.

Trademarks and disclaimers: All Pentair trademarks and logos are owned by Pentair, Inc. FreeFlo™ and Cam and Ramp™ are trademarks of Pentair Inc. and/or its affiliated companies in the United States and/or other countries. Unless expressly noted, names and brands of third parties that may be used in this document are not used to indicate an affiliation or endorsement between the owners of these names and brands and Pentair Inc. Those names and brands may be the trademarks or registered trademarks of those third parties.

⚠ DANGER FAILURE TO FOLLOW ALL INSTRUCTIONS AND WARNINGS CAN RESULT IN SERIOUS BODILY INJURY OR DEATH. THIS PUMP SHOULD BE INSTALLED AND SERVICED ONLY BY A QUALIFIED SERVICE PROFESSIONAL. INSTALLERS, OPERATORS AND OWNERS MUST READ THESE WARNINGS AND ALL INSTRUCTIONS IN THE OWNER'S MANUAL BEFORE USING THIS PUMP. THESE WARNINGS AND THE OWNER'S MANUAL MUST BE LEFT WITH THE HOME OWNER.

⚠ DANGER SUCTION ENTRAPMENT HAZARD: STAY OFF THE MAIN DRAIN AND AWAY FROM ALL SUCTION OUTLETS!



THIS PUMP PRODUCES HIGH LEVELS OF SUCTION AND CREATES A STRONG VACUUM AT THE MAIN DRAIN AT THE BOTTOM OF YOUR POOL AND SPA. THIS SUCTION IS SO STRONG THAT IT CAN TRAP ADULTS OR CHILDREN UNDER WATER IF THEY COME IN CLOSE PROXIMITY TO A POOL OR SPA DRAIN, OR A LOOSE OR BROKEN DRAIN COVER OR GRATE.

READ AND KEEP THESE INSTRUCTION FOR FUTURE REFERENCE

⚠ DANGER THE USE OF UNAPPROVED DRAIN COVERS OR ALLOWING USE OF THE POOL OR SPA WHEN COVERS ARE MISSING, CRACKED OR BROKEN CAN RESULT IN BODY OR LIMB ENTRAPMENT, HAIR ENTANGLEMENT, BODY ENTRAPMENT, Evisceration AND/OR DEATH.

The suction at a pool or spa drain or outlet can cause:

Limb Entrapment: When a limb is sucked or inserted into an opening resulting in a mechanical bind or swelling. This hazard is present when a drain cover is missing, broken, loose, cracked or not properly secured.

Hair Entanglement: When the hair tangles or knots in the drain cover, trapping the swimmer underwater. This hazard is present when the flow rating of the cover is too small for the pump or pumps.

Body Entrapment: When a portion of the body is held against the drain cover trapping the swimmer underwater. This hazard is present when the drain cover is missing, broken or the cover flow rating is not high enough for the pump or pumps.

Visceration/Disembowelment: When a person sits on an open pool (particularly a child wading pool) or spa outlet and suction is applied directly to the intestines, causing severe intestinal damage. This hazard is present when the drain cover is missing, loose, cracked, or not properly secured.

Mechanical Entrapment: When jewelry, swimsuit, hair decorations, finger, toe or knuckle is caught in an opening of an outlet or drain cover. This hazard is present when the drain cover is missing, broken, loose, cracked, or not properly secured.

NOTE: ALL SUCTION PLUMBING MUST BE INSTALLED IN ACCORDANCE WITH THE LATEST NATIONAL AND LOCAL CODES FOR SWIMMING POOLS, SPAS AND HOT TUBS.

⚠ WARNING TO MINIMIZE THE RISK OF INJURY DUE TO SUCTION ENTRAPMENT HAZARD:

- Pools and spas should utilize a minimum of two drains per pump.
- A properly installed and secured anti-entrapment suction cover must be used for each drain.
- Each suction cover must be installed at least one meter apart, as measured from the nearest point to nearest point.
- Regularly inspect all covers for cracks, damage and advanced weathering.
- If a cover becomes loose, cracked, damaged, broken or is missing, close the pool or spa immediately, shut off the pump, post a notice and keep the pool or spa closed until an appropriate certified cover is properly installed and approved.
- Replace drain covers as necessary. Drain covers deteriorate over time due to exposure to sunlight, pool chemicals and weather.
- Avoid getting hair, limbs or body in close proximity to any suction cover, pool drain or outlet.
- Use a safety vacuum release system (“SVRS”), suction limiting system or automatic pump shut-off system

⚠ WARNING A clearly labeled emergency shut-off switch for the pool pump and spa jet pump must be in an easily accessible, obvious place near the pool or spa. Make sure bathers know where it is and how to use it in case of emergency.

- The appliance is not intended for use by persons (including children) with reduced physical, sensory or mental capabilities, or lack of experience and knowledge, unless they have been given supervision or instruction concerning use of the appliance by a person responsible for their safety.
- Children should be supervised to ensure that they do not play with the appliance.
- A means for disconnection from the supply mains, having a contact separation in all poles, must be included in the fixed wiring in accordance with the wiring rules.
- The pump must be supplied through a residual current device (RCD) having a rated residual operating current not exceeding 30mA.
- If the supply cord is damaged, it must be replaced by the manufacturer, its service agent or similarly qualified persons in order to avoid a hazard.

⚠ DANGER HAZARDOUS PRESSURE: STAND CLEAR OF PUMP AND FILTER DURING START-UP Pool and spa circulation systems operate under high pressure. When any part of the circulating system (i.e. pump, filter, valves, etc.) is serviced, air can enter the system and become pressurized. Pressurized air can cause the pump housing, cover, filter lid and valves to violently separate which can result in severe personal injury or death. Filter tank lid and strainer cover must be properly secured to prevent violent separation. Stand clear of all circulation system equipment when turning on or starting pump.



Electrical controls such as on/off switches, timers, and control systems, etc. should be properly installed to allow the operation (start-up, shut-down, or servicing) of any pump or filter without requiring the user to place any portion of his/her body over or near the pump strainer lid or filter lid. Such installation should allow the user to stand clear of the filter and pump during system start-up, shut down or servicing of the system.

⚠ CAUTION Before servicing pool and spa equipment, make note of the filter pressure. Be sure that all controls are set to ensure the system cannot inadvertently start during service. Turn off all power to the pump.

IMPORTANT: Before starting the system, fully open the manual air relief valve and place all system valves in the “open” position to allow water to flow freely from the pool and spa back to the pool or spa. Stand clear of all pool and spa equipment and start the pump.

IMPORTANT: Do not close filter manual air relief valve until all pressure has been discharged from the valve and a steady stream of water appears. Observe filter pressure gauge and be sure it is not higher than the pre-service condition

SECTION 1. GENERAL INFORMATION

Check carton for any evidence of damage due to rough handling of the shipment. If carton or any pump component are damaged, notify the carrier immediately.

Failure to follow the safety instruction may result in serious adverse health effects, or even serious or fatal injury. Failure to follow the safety instructions will in all cases invalidate all guarantees and liability on the part of the manufacturer.

SECTION 2. APPLICATION

Only to be used to circulate swimming pool water.

SECTION 3. ELECTRICAL REQUIREMENTS AND WIRING

Electrical installation shall be in accordance with the local wiring codes taking into account its ratings. The pump is supplied with 1.5 m (5 feet) of cord.

⚠ WARNING A GFCI (Ground Fault Circuit Interrupter) with maximum rated residual current of 30mA is required for the power supply to the pump. Additionally, if a suitable socket outlet is not available a weatherproof socket must be installed by an electrician in a suitable location. GFCI tripping indicates an electrical problem. If GFCI trips and will not reset have a qualified electrician inspect and repair electrical system.

Do not use extension leads as they are unsafe in and around the pool area.

Incorrect voltage can cause fire or seriously damage pump and voids warranty.

Voltage at pump must not be more than 6% above or 10% below motor nameplate rated voltage or pump may overheat, causing overload tripping and reduced component life.

Wiring Installation

Note: Before installing this product, read and follow all warning notices and instructions.

⚠ WARNING Risk of electrical shock or electrocution.

The AC pump connection must be done by a service professional as described in this manual and all applicable current local regulations. The service professional installer should also be sure the pump motor has sufficient protection. All required pump wiring and AC electrical information is shown on the pump's motor name plate.

**BEFORE CONNECTING AC POWER WIRES TO THE PUMP, be sure to switch OFF the main AC power supply.
PUMP GROUNDING: BE SURE TO PERMANENTLY GROUND THE PUMP MOTOR.**

Make sure all electrical breakers and switches are turned off before wiring motor.

Choose a wire size from the chart below. When in doubt use a heavier gauge (larger diameter) wire.

Heavier gauge will allow the motor to run cooler and more efficient. Make sure all electrical connections are clean and water tight. Cut wires to the appropriate length so they don't overlap or touch when connected to the terminal board. Connect the pump permanently to a separate circuit. Be sure no other lights or appliances are on the same circuit.

SUPPLY WIRE SIZES (mm ²)				
(Size and length by Power)				
Kw	HP	15 m (50 ft.)	30 m (100 ft.)	45 m (150 ft.)
0,25	1/3	2.5	2.5	4.0
0,37	1/2	2.5	4.0	6.0
0,55	3/4	4.0	4.0	6.0
0,75	1	4.0	6.0	10.0
1,10	1.5	6.0	6.0	10.0

SECTION 4. PUMP INSTALLATION

- Install the pump not closer than 1.5m (5 feet) from inside walls of the swimming pool or spa.
- Use a direct and short suction line with continuous slope in order to avoid long priming times.
- The pump should be placed on a flat, solid foundation, high enough to prevent flooding of the motor.
- Install the pump in a sheltered location, ensuring ventilation and adequate access for servicing.
- Do not mount electrical controls directly over pump.
- Provide adequate floor drainage to avoid equipment and property damage.
- Size all piping adequately and keep the number of elbows to a minimum.
- Independently support the pipe near the suction and discharge of the pump in order to reduce the strain.
- It is essential that the suction line is free of air leaks. The suction line should always be at least the same size as the suction inlet of the pump.

SECTION 5. START / OPERATION

Starting the pump

- Turn strainer pot lid in a counter-clockwise direction until it opens.
- Fill the strainer pot and volute up to the inlet port with water.
- Reinstall the strainer pot lid by placing the strainer pot lid on the strainer pot. Make sure the lid O-ring is properly placed. Seat the strainer pot lid then turn clockwise until the handle locks. **Hand Tighten only!**
- Open the manual air relief valve on top of the filter. If no manual air relief valve is present, depress the multiport valve handle to relieve the pressure.
- Stand clear of the system and filter. Energize the motor.
- Bleed air from the filter until a steady stream of water comes out. Close the manual air relief valve.
- Priming time depends on the suction lift and distance from the pool. Five minutes for priming is a reasonable time.

Pump will not lift more than 1.8 m (6 ft.). If pump does not prime, see troubleshooting guide.

SECTION 6. MAINTENANCE

⚠ WARNING Risk of electrical shock or electrocution.



Always disconnect power to the pool pump at the circuit breaker before servicing the pump. Failure to do so could result in death or serious injury to serviceman, pool users or others due to electric shock. Read all servicing instructions before working on the pump.

⚠ WARNING DO NOT open the strainer pot lid if pump fails to prime or if pump has been operating without water in the strainer pot.



Pumps operated in these circumstances may experience a build up of vapor pressure and may contain scalding hot water. Opening the pump may cause serious personal injury. In order to avoid the possibility of personal injury, make sure the suction and discharge valves are open and strainer pot temperature is cool to touch, then open with extreme caution.

Pump strainer basket unit is in front of the pump housing. Inside the chamber is the basket which must be kept clean of leaves and debris at all times. View basket through the 'See through Lid' to inspect for leaves and debris.

⚠ CAUTION The Pump Strainer Basket

Regardless of the length of time between filter cleaning, it is most important to visually inspect the strainer pot basket at least once a week. A dirty basket will reduce the efficiency of the pump and also put an abnormal stress on the pump motor which could result in a costly repair bill.

1. Turn off motor and relieve pressure in the system.
2. Turn strainer pot lid in a counter-clockwise direction until it opens and then remove the lid from the strainer pot.
3. Put the debris from the strainer basket into the trash and rinse out the basket. If the strainer basket is cracked, it should be replaced.
4. Replace the strainer basket. Make sure the strainer basket is properly seated in strainer pot.
5. Fill the strainer pot and volute with water up to the inlet port.
6. Clean the strainer pot lid, O-ring, and sealing surface of the strainer pot. Then grease the O-ring with silicone based lubricant

7. Reinstall the strainer pot lid by placing the strainer pot lid on the strainer pot. Make sure the lid O- ring is properly placed. Seat the strainer pot lid then turn clockwise until the handle locks. **Hand Tighten only!**
8. Turn the power "ON" at the house circuit breaker. Reset the pool time clock to the correct time.

THIS PUMP OPERATES UNDER HIGH PRESSURE

⚠ WARNING When any part of the circulating system (e.g., Strainer Pot Lid, Pump, Filter, Valves, etc.) is serviced, air can enter the system and become pressurized. Pressurized air can cause the lid to separate which can result in server injury, death, or property damage. To avoid this potential hazard, follow these instructions.

9. Open the manual air relief valve on top of the filter. If no manual air relief valve is present, depress the multiport valve handle to relieve the pressure.
10. Stand clear of the system and filter.
11. Start pump.
12. Bleed air from the filter until a steady stream of water comes out. Close the manual air relief valve.

Winterizing

If the air temperature drops below 2°C (35° F), the water in the pump can freeze and cause damage.

Freeze damage is not warrantable.

To prevent freeze damage follow the procedures listed below:

- a. Shut off electrical power for the pump at the house circuit breaker.
- b. Drain the water out of the pump by removing the two thumb-twist drain plugs and the O rings from the pump housing and one from the strainer pot. Store the plugs and the O rings in the pump basket.
- c. Cover the motor to protect it from severe rain, snow and ice.
- d. Do not wrap the motor in plastic. It will cause condensation and rust on the inside of the motor.

Care of Electric Motor

Protect from heat.

- a. Shade the motor from direct sunlight.
- b. Any enclosure must be well ventilated to prevent overheating.
- c. Provide ample cross ventilation.

Protect against moisture or other elements.

- a. Protect from any foreign matter or splashing water.
- b. Do not store (or spill) pool chemicals near the motor.
- c. If a motor has become wet - let it dry before operating. Do not operate if it has been flooded.
- d. If a motor has been damaged by water it voids the motor warranty.

SECTION 7. TROUBLESHOOTING

Use the following troubleshooting information to resolve possible problems with your FreeFlo™ pump.

⚠ WARNING Risk of electrical shock or electrocution - Turn off power to unit prior to attempting service or repair.

PROBLEM	CORRECTIVE ACTIONS
Pump will not prime - too much air	Check suction piping and valve glands on any suction gate valves Secure pot casing lid on pump strainer pot and make sure lid o-ring is in place Make sure o-ring on union is OK and in place Ensure o-ring on diffuser nose is OK and is in place Check water level to make sure skimmer is not drawing air.
Pump will not prime - not enough water	Make sure suction lines, pump strainer and pump volute are full of water Make sure valve on suction line is working and open (some do not have valves) Check water level to make sure water is available through skimmer.
Pump strainer basket clogged	Clean pump strainer basket
Pump strainer o-ring defective	Replace o-ring
REDUCED CAPACITY AND/OR HEAD	
Air pockets or leaks in suction line	Check suction piping and valve glands on any suction gate valves
Clogged impeller	Clean debris from impeller

An illustrated spare parts list can be found at : www.pentairpooleurope.com

EUROPA	AUSTRALIEN	SÜDAFRIKA
Pentair Water Belgium B.V.B.A	Pentair Water Australia	Pentair Water South Africa
Industriepark Wolfstee Toekomstlaan 30	1-21 Monash Drive Dandenong South	24 Vuurslag Street Spartan Ext7
B-2200 HERENTALS	VICTORIA 3175	GAUTENG 1619
BELGIEN	AUSTRALIEN	SÜDAFRIKA
www.pentairpooleurope.com	www.pentairwater.com.au	www.kreepykrauly.co.za

Konformitätserklärung

Angewendete Normen zum Nachweis der Übereinstimmung mit den wesentlichen Anforderungen in der Richtlinie 2006/42/EG

- EN60335-1

- EN60335-2-41



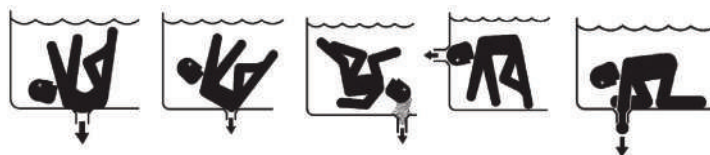
Der Hersteller, Pentair, hat das Recht, die Produkte ohne vorherige Ankündigung zu ändern, sofern deren Merkmale dadurch nicht maßgeblich verändert werden.

© 2013 Pentair, Inc. Alle Rechte vorbehalten. Änderungen in diesem Dokument ohne vorherige Ankündigung vorbehalten

Warenzeichen und Haftungsausschluss: Alle Pentair-Warenzeichen und -Logos sind Eigentum von Pentair, Inc. FreeFlo™ und Cam and Ramp™ sind Warenzeichen von Pentair Inc. und/oder ihren verbundenen Unternehmen in den Vereinigten Staaten und/oder anderen Ländern. Soweit nicht anders angegeben, dienen eventuell in diesem Dokument benutzte Namen und Marken anderer Unternehmen nicht zur Angabe einer Zugehörigkeit oder sonstigen Verbindung zwischen den Eigentümern dieser Namen und Marken und Pentair Inc. Bei diesen Namen und Marken kann es sich um Warenzeichen oder eingetragene Warenzeichen dieser anderen Unternehmen handeln.

⚠ DANGER DIE NICHTBEACHTUNG DER ANWEISUNGEN UND WARNHINWEISE KANN ZU SCHWEREN VERLETZUNGEN ODER ZUM TOD FÜHREN. DIESE PUMPE DARF NUR VON EINEM QUALIFIZIERTEN SERVICETECHNIKER MONTIERT UND GEWARTET WERDEN. MONTEURE, SCHWIMMBADBETREIBER UND -BESITZER MÜSSEN DIESE WARNHINWEISE UND ALLE ANWEISUNGEN IM HANDBUCH LESEN, BEVOR SIE DIESE PUMPE BENUTZEN. DIESE WARNHINWEISE UND DAS HANDBUCH MÜSSEN BEIM HAUSBESITZER VERBLEIBEN.

⚠ DANGER ANSAUGGEFAHR: HALTEN SIE SICH VOM HAUPTAUSLAUF UND VON ALLEN ANSAUGÖFFNUNGEN FERN!



DIESE PUMPE HAT EINE HOHE SAUGKRAFT UND ERZEUGT EIN STARKES VAKUUM AM HAUPTABFLUSS UNTEN IN IHREM POOL ODER SPA. DIESE SAUGWIRKUNG IST SO GROSS, DASS ERWACHSENE ODER KINDER UNTER WASSER GEZOGEN WERDEN KÖNNEN, WENN SIE IN DIE NÄHE EINES POOL- ODER SPA-ABFLUSSES ODER EINER LOSEN ODER GEBROCHENEN ABFLUSSABDECKUNG ODER EINES LOSEN ODER BESCHÄDIGTEN GITTERS KOMMEN.

LESEN SIE DIESE ANWEISUNGEN UND HEBEN SIE SIE FÜR EIN SPÄTERES NACHLESEN AUF

⚠ DANGER DIE VERWENDUNG NICHT ZUGELASSENER ABDECKUNGEN ODER DIE GESTATTUNG DER BENUTZUNG DES POOLS ODER SPAS OHNE ABDECKUNG ODER MIT GERISSENEN ODER GEBROCHENEN ABDECKUNGEN KANN ZUM ANSAUGEN DES KÖRPERS ODER VON KÖRPERTEILEN, ZUM VERFANGEN VON HAAREN, HERAUSREISSEN VON GEDÄRMEN UND/ODER ZUM TOD FÜHREN.

Der Sog am Auslauf oder Auslass eines Pools oder Spas kann folgendes bewirken:

Ansaugung von Körperteilen: Wenn ein Körperteil in eine Öffnung gesaugt oder gesteckt wird, bleibt es mechanisch stecken oder schwillt an. Diese Gefahr besteht, wenn eine Abflussabdeckung fehlt, gebrochen, lose, gerissen oder nicht ordnungsgemäß gesichert ist.

Verfangen von Haaren: Wenn sich das Haar in der Abflussabdeckung verfängt oder verknotet, wird der Schwimmer unter Wasser festgehalten. Diese Gefahr besteht, wenn der Durchsatz für die Pumpe oder Pumpen zu klein ist.

Ansaugung des Körpers: Wenn ein Teil des Körpers an der Abflussabdeckung angesaugt wird, wird der Schwimmer unter Wasser festgehalten. Diese Gefahr besteht, wenn die Abflussabdeckung fehlt oder gebrochen ist oder der Durchsatz für die Pumpe oder Pumpen zu klein ist.

Herausreißen von Gedärmen: Wenn eine Person auf einem Auslass in einem offenen Pool (vor allem in einem Planschbecken für Kinder) oder einem Spa sitzt und die Saugkraft unmittelbar auf die Eingeweide wirkt, können schwere Schäden an den Gedärmen auftreten. Diese Gefahr besteht, wenn eine Abflussabdeckung fehlt, gebrochen, lose, gerissen oder nicht ordnungsgemäß gesichert ist.

Mechanische Ansaugung: Wenn Schmuckstücke, Badekleidung, Haarschmuck, Finger, Zehen oder Knöchel sich in einer Öffnung eines Auslasses oder einer Abflussabdeckung verfangen. Diese Gefahr besteht, wenn die Abflussabdeckung fehlt, gebrochen, lose, gerissen oder nicht ordnungsgemäß gesichert ist.

HINWEIS: ALLE SAUGROHRE MÜSSEN IN ÜBEREINSTIMMUNG MIT DEN GELTENDEN NATIONALEN UND ÖRTLICHEN VORSCHRIFTEN FÜR POOLS, SPAS UND WHIRLPOOLS INSTALLIERT WERDEN.

⚠ WARNING ZUR MINIMIERUNG DES VERLETZUNGSRIKOS AUFGRUND DER GEFAHR EINER ANSAUGUNG IST FOLGENDES ZU BEACHTEN:

- Pools und Spas müssen mindestens zwei Abläufe pro Pumpe aufweisen.
- Für jeden Abfluss muss eine ordnungsgemäß angebrachte und gesicherte Ansaugschutzabdeckung vorgesehen werden.
- Alle Ansaugöffnungsabdeckungen müssen in einem Abstand von min. 1 Meter voneinander, gemessen zwischen den beiden am nächsten zueinander liegenden Punkten, angeordnet werden.
- Kontrollieren Sie alle Abdeckungen in regelmäßigen Abständen auf Risse, Beschädigungen und fortgeschrittenen Verschleiß.
- Wenn eine Abdeckung lose, gerissen, beschädigt oder gebrochen ist oder fehlt, muss der Pool oder das Spa unverzüglich geschlossen werden. Die Pumpe muss abgeschaltet werden und es ist ein entsprechender Hinweis anzubringen. Der Pool oder das Spa muss dann so lange geschlossen bleiben, bis die ordnungsgemäße Anbringung einer geeigneten; zugelassenen Abdeckung erfolgt ist.
- Abflussabdeckungen falls nötig ersetzen. Pool-Abflussabdeckungen altern mit der Zeit, da sie der Sonneneinstrahlung, Pool-Chemikalien und der Witterung ausgesetzt sind.
- Haare, Gliedmaßen oder der Körper dürfen nicht zu nahe an Ansaugöffnungsabdeckungen, Poolabläufe oder Auslässe kommen.
- Installieren Sie einen Ansaugschutz (SVRS), ein Saugbegrenzungs-system oder ein automatisches Pumpenabschaltsystem.

⚠ WARNING Ein entsprechend gekennzeichnete Not-Aus-Schalter für die Poolpumpe und die Spa-Jetpumpe muss klar erkennbar an einer leicht zugänglichen und sinnvollen Stelle in der Nähe des Pools oder Spas vorgesehen werden. Stellen Sie sicher, dass die Badenden wissen, wo er ist und wie sie ihn in einem Notfall bedienen müssen.

- Der Schalter ist nicht für Personen (einschl. Kinder) mit eingeschränkten physischen, sensorischen oder mentalen Fähigkeiten, mangelnder Erfahrung und Kenntnis gedacht, es sei denn, sie werden beaufsichtigt oder haben durch eine für ihre Sicherheit verantwortliche Person eine Einweisung im Gebrauch des Schalters erhalten.
- Kinder müssen beaufsichtigt werden, um sicherzustellen, dass sie nicht mit dem Schalter spielen.
- In der festen Verdrahtung muss eine Vorrichtung für die Trennung von der Stromversorgung mit einer Kontakttrennung bei allen Polen vorgesehen werden, die im Einklang mit den Installationsvorschriften stehen muss.
- Die Pumpe muss über eine FI-Schutzeinrichtung mit einem Bemessungs-Auslösefehlerstrom von max. 30 mA gespeist werden.
- Wenn die Anschlussleitung beschädigt ist, muss sie von dem Hersteller, seinem Service-Vertreter oder vergleichbar qualifizierten Personen ausgetauscht werden, um eine Gefahr zu vermeiden.

⚠ DANGER **GEFÄHRLICHER DRUCK: HALTEN SIE BEIM START EINEN SICHEREN ABSTAND ZUR PUMPE UND ZUM FILTER.** Pool- und Spa-Umwälzanlagen arbeiten mit hohem Druck. Wenn ein Teil der Umwälzanlage (d.h. Pumpe, Filter, Ventile usw.) gewartet wird, kann Luft in das System gelangen und zu einem Druckaufbau führen. Durch den Druck können das Pumpengehäuse, die Abdeckung, der Filterdeckel und die Ventile abgerissen werden, was zu schweren Verletzungen oder sogar zum Tod führen kann. Der Deckel des Filterbehälters und die Siebabdeckung müssen ordnungsgemäß gesichert werden, um zu verhindern, dass sie abgerissen werden. Halten Sie beim Einschalten oder Starten der Pumpe einen sicheren Abstand zu allen Teilen der Umwälzanlage.



Elektrische Bedienelemente wie Ein-/Ausschalter, Zeitschaltuhren, Steuerungssysteme usw. müssen so montiert werden, dass der Betrieb (Start, Abschalten oder Wartung) der Pumpen oder Filter erfolgen kann, ohne dass der Benutzer mit einem Teil seines Körpers über die Pumpensiebabdeckung oder den Filterdeckel reichen muss oder in ihre Nähe kommt. Diese Montage muss es dem Benutzer ermöglichen, beim Starten, Abschalten oder Warten des Systems einen sicheren Abstand zum Filter und zur Pumpe zu halten.

⚠ CAUTION Notieren Sie den Filterdruck, bevor Sie Wartungsarbeiten an der Pool- oder Spa-Ausrüstung durchführen. Stellen Sie sicher, dass alle Bedienelemente so eingestellt sind, dass ein unbeabsichtigter Start des Systems während der Wartungsarbeiten nicht möglich ist. Schalten Sie die komplette Stromzufuhr zur Pumpe ab.

WICHTIG: Öffnen Sie das manuelle Entlüftungsventil, bevor Sie das System starten, und stellen Sie alle Systemventile auf "Offen", damit das Wasser ungehindert aus dem Pool oder Spa und wieder zurück fließen kann. Halten Sie einen sicheren Abstand zu allen Pool- und Spa-Ausrüstungen und starten Sie die Pumpe

WICHTIG: Schließen Sie das manuelle Filterentlüftungsventil erst, wenn der Druck aus dem Ventil abgelassen worden ist und das Wasser gleichmäßig fließt. Beobachten Sie das Filtermanometer und stellen Sie sicher, dass der Druck nicht höher ist als vor der Wartung.

KAPITEL 1. ALLGEMEINE INFORMATIONEN

Prüfen Sie, ob der Karton Anzeichen von Beschädigungen durch eine raue Handhabung während des Transports aufweist. Informieren Sie bei Beschädigungen am Karton oder an Pumpenteilen unverzüglich den Spediteur. Die Nichtbeachtung der Sicherheitsanweisungen kann zu ernststen Gesundheitsschäden oder sogar zu schweren oder tödlichen Verletzungen führen. Die Nichtbeachtung der Sicherheitsanweisungen führt in jedem Fall zum Erlöschen aller Gewährleistungen und jeglicher Haftung seitens des Herstellers.

KAPITEL 2. ANWENDUNG

Nur zur Umwälzung des Pool-Wassers verwenden.

KAPITEL 3. ELEKTRISCHE ANFORDERUNGEN UND VERDRAHTUNG

Die Elektroinstallation muss in Übereinstimmung mit den örtlichen Installationsvorschriften unter Berücksichtigung der Bemessungsdaten erfolgen. Die Pumpe wird mit einem 1,5m (5 ft.) langen Kabel geliefert.

⚠ WARNING A GFCI (Ground Fault Circuit Interrupter) with maximum rated residual current of 30mA is required for the power supply to the pump. Wenn keine geeignete Steckdose vorhanden ist, muss außerdem von einem Elektriker an einem geeigneten Ort eine wasserdichte Steckdose montiert werden. Das Auslösen des FI-Schutzschalters ist ein Hinweis auf ein elektrisches Problem. Wenn der FI-Schutzschalter auslöst und nicht zurückgesetzt wird, muss die elektrische Anlage von einem qualifizierten Elektriker überprüft und repariert werden.

Benutzen Sie keine Verlängerungskabel, da sie im und in der Nähe des Poolbereichs unsicher sind.

Eine falsche Spannung kann einen Brand oder schwere Schäden an der Pumpe verursachen und führt zum Erlöschen der Gewährleistung.

Die Spannung an der Pumpe darf nicht mehr als 6 % über bzw. 10 % unter der auf dem Typenschild des Motors angegebenen Nennspannung liegen. Anderenfalls kann es zur Überhitzung der Pumpe und dadurch zur Überlastauslösung und einer verringerten Lebensdauer der Teile kommen.

Elektroinstallation

Hinweis: Lesen und befolgen Sie alle Warnhinweise und Anweisungen, bevor Sie dieses Produkt montieren.

⚠ WARNING Gefahr eines Stromschlags oder Elektroschocks.

Der Wechselstromanschluss für die Pumpe muss von einem Kundendienstfachmann entsprechend dem vorliegenden Handbuch und allen geltenden örtlichen Vorschriften durchgeführt werden. Der Kundendienstfachmann muss auch auf einen ausreichenden Schutz des Pumpenmotors achten. Alle erforderlichen Daten für die Pumpenverdrahtung sowie die elektrischen Daten für den Stromanschluss sind dem Typenschild für den Pumpenmotor zu entnehmen.

BEVOR DER WECHSELSTROMANSCHLUSS FÜR DIE PUMPE DURCHGEFÜHRT WIRD, muss unbedingt die Haupt-Wechselstromversorgung ausgeschaltet werden.

ERDUNG DER PUMPE: STELLEN SIE SICHER, DASS DER PUMPENMOTOR IMMER EINE FEST INSTALLIERTE ERDUNG HAT.

Stellen Sie vor dem Verdrahten des Motors sicher, dass alle elektrischen Unterbrecher und Schalter ausgeschaltet sind.

Wählen Sie eine Drahtdicke aus der nachstehenden Tabelle. Verwenden Sie im Zweifelsfall einen dickeren Draht (mit einem größeren Durchmesser).

Bei Verwendung eines dickeren Drahts wird der Motor nicht so warm und der Betrieb ist effizienter. Stellen Sie sicher, dass alle elektrischen Anschlüsse sauber und wasserdicht sind. Kürzen Sie die Leitungen auf die richtige Länge, damit sie nach dem Anschließen auf der Klemmenplatine nicht überstehen oder sich berühren. Schließen Sie die Pumpe fest an einen getrennten Stromkreis an. Stellen Sie sicher, dass keine Lampen oder andere Geräte an diesen Stromkreis angeschlossen sind.

LEITUNGSDRAHTDICKEN (mm ²)				
(Dicke und Länge entsprechend der Leistung.)				
Kw	HP	15 m (50 ft.)	30 m (100 ft.)	45 m (150 ft.)
0,25	1/3	2.5	2.5	4.0
0,37	1/2	2.5	4.0	6.0
0,55	3/4	4.0	4.0	6.0
0,75	1	4.0	6.0	10.0
1,10	1.5	6.0	6.0	10.0

KAPITEL 4. PUMPENMONTAGE

- Montieren Sie die Pumpe max. 1,5 m (5ft.) von den Innenwänden des Swimmingpools oder Spas.
- Benutzen Sie eine direkte, kurze Ansaugleitung mit kontinuierlichem Gefälle, um lange Ansaugzeiten zu vermeiden.
- Die Pumpe muss auf ein flaches, stabiles Fundament gestellt werden, das hoch genug ist, um ein Überfluten des Motors zu verhindern.
- Stellen Sie die Pumpe an einem geschützten Ort auf, der gut belüftet und für Wartungszwecke leicht zugänglich ist.
- Montieren Sie die elektrischen Steuerungen nicht direkt über der Pumpe.
- Sorgen Sie für einen geeigneten Bodenabfluss, um Schäden an der Ausrüstung und sonstige Sachschäden zu vermeiden.
- Alle Rohrleitungen müssen angemessen ausgelegt sein und die Anzahl der Bögen ist auf ein Minimum zu reduzieren.
- Die Leitung muss nahe der Druck- und Saugseite der Pumpe separat abgestützt werden, um die Belastung zu reduzieren.
- Die Saugleitung muss unbedingt dicht sein. Die Saugleitung muss immer mindestens die gleiche Größe haben wie die Saugöffnung der Pumpe.

KAPITEL 5. START / BETRIEB

Starten der Pumpe

- Drehen Sie den Deckel des Siebtopfs gegen den Uhrzeigersinn, bis er auf ist.
- Füllen Sie den Siebtopf und das Gehäuse bis zur Einlassöffnung mit Wasser.
- Setzen Sie den Deckel wieder auf den Siebtopf auf. Stellen Sie sicher, dass der O-Ring richtig im Deckel eingelegt ist. Setzen Sie den Deckel auf und drehen Sie ihn dann im Uhrzeigersinn, bis der Hebel verriegelt. **NUR HANDFEST ANZIEHEN!**
- Öffnen Sie das manuelle Entlüftungsventil oben auf dem Filter. Wenn kein manuelles Entlüftungsventil vorhanden ist, drücken Sie den Hebel am Mehrwegeventil nach unten, um den Druck abzulassen.
- Halten Sie einen sicheren Abstand zum System und zum Filter. Starten Sie den Motor.
- Entlüften Sie den Filter, bis ein gleichmäßiger Wasserstrahl austritt. Schließen Sie das manuelle Entlüftungsventil.
- Die Ansaugzeit ist abhängig vom Ansaughub und von der Entfernung zum Pool. Fünf Minuten sind eine angemessene Zeit.

Die Pumpe fördert nicht höher als 1,8 m (6 ft.). Wenn die Pumpe nicht ansaugt, siehe Anleitung zur Fehlerbehebung.

KAPITEL 6. WARTUNG

⚠ WARNING Risk of electrical shock or electrocution.



Vor Durchführung von Wartungsarbeiten an der Poolpumpe immer am Leistungsschalter ausschalten. Die Nichtbeachtung dieser Anweisung kann zum Tod oder zu schweren Verletzungen von Servicetechnikern, Poolbenutzern oder anderen Personen durch Stromschlag führen. Lesen Sie alle Wartungsanweisungen, bevor Sie Arbeiten an der Pumpe ausführen.

⚠ WARNING Siebtopfdeckel NICHT öffnen, wenn die Pumpe nicht ansaugt oder ohne Wasser im Siebtopf betrieben worden ist.



Wenn eine Pumpe unter diesen Bedingungen betrieben wird, kann es zum Aufbau eines Dampfdrucks kommen und die Pumpe kann siedend heißes Wasser enthalten. Wenn die Pumpe geöffnet wird, kann es zu schweren Verletzungen kommen. Stellen Sie sicher, dass die Saug- und Druckventile geöffnet sind und der Siebtopf sich kühl anfühlt, um mögliche Verletzungen zu vermeiden. Dann sehr vorsichtig öffnen.

Die Pumpensiebkorbeinheit befindet sich vorne am Pumpengehäuse. In der Kammer befindet sich der Korb. Er muss jederzeit frei von Blättern und Schmutzpartikeln gehalten werden. Schauen Sie durch den durchsichtigen Deckel in den Korb, um ihn auf Vorhandensein von Blättern und Schmutzpartikeln zu überprüfen.

⚠ CAUTION Der Pumpensiebkorb

Der Siebtopfkorb muss unabhängig von der Häufigkeit der Filterreinigung mindestens einmal wöchentlich einer Sichtprüfung unterzogen werden. Ein verschmutzter Korb reduziert den Wirkungsgrad der Pumpe und bewirkt außerdem eine überhöhte Belastung des Pumpenmotors, was mit hohen Reparaturkosten verbunden sein kann.

1. Schalten Sie den Motor ab und lassen Sie den Druck im System ab.
2. Drehen Sie den Siebtopfdeckel gegen den Uhrzeigersinn, bis er auf ist und nehmen Sie den Deckel vom Siebtopf ab.
3. Entleeren Sie den Siebkorb und spülen Sie ihn aus. Wenn der Siebkorb gerissen ist, muss er ausgetauscht werden.
4. Tauschen Sie den Siebkorb aus. Stellen Sie sicher, dass der Siebkorb richtig im Topf sitzt.
5. Füllen Sie den Siebtopf und das Gehäuse bis zur Einlassöffnung mit Wasser.
6. Reinigen Sie den Siebtopfdeckel, den O-Ring und die Dichtfläche des Siebtopfs. Fetten Sie anschließend den O-Ring mit Silikonschmiermittel ein.
7. Bringen Sie den Deckel wieder an, indem Sie ihn auf den Filtertopf setzen. Stellen Sie sicher, dass der O-Ring richtig eingelegt ist. Setzen Sie den Deckel auf und drehen Sie ihn dann im Uhrzeigersinn, bis der Hebel verriegelt. **Nur handfest anziehen!**

8. Schalten Sie die Spannungsversorgung am Leistungsschalter im Haus ein. Stellen Sie die Zeitschaltuhr für den Pool wieder auf die richtige Zeit.

DIESE PUMPE ARBEITET UNTER HOHEM DRUCK.

⚠ WARNING Wenn ein Teil der Umwälzanlage (z.B. Siebtopfdeckel, Pumpe, Filter, Ventile usw.) gewartet wird, kann Luft in das System gelangen und zu einem Druckaufbau führen. Der Druck kann dazu führen, dass der Deckel abgerissen wird, was zu schweren Verletzungen, Tod oder Sachschäden führen kann. Beachten Sie die folgenden Anweisungen, um diese potentielle Gefahr zu vermeiden.

9. Öffnen Sie das manuelle Filterentlüftungsventil oben auf dem Filter. Wenn kein manuelles Entlüftungsventil vorhanden ist, drücken Sie den Hebel für das Mehrwegeventil nach unten, um den Druck abzulassen.
10. Halten Sie einen sicheren Abstand zum System und zum Filter.
11. Starten Sie die Pumpe.
12. Entlüften Sie den Filter, bis ein gleichmäßiger Wasserstrahl austritt. Schließen Sie das manuelle Entlüftungsventil.

Überwinterung

Wenn die Lufttemperatur unter 2 °C (35 °F) fällt, kann das Wasser in der Pumpe gefrieren und Schäden verursachen. Frostschäden fallen nicht unter die Gewährleistung.

Um Frostschäden zu vermeiden, gehen Sie wie folgt vor:

- a. Schalten Sie die Spannungsversorgung für die Pumpe am Leistungsschalter im Haus aus.
- b. Lassen Sie das Wasser aus der Pumpe ab, indem Sie die beiden Ablassschrauben herausdrehen sowie die O-Ringe am Pumpengehäuse bzw. am Siebtopf entfernen. Bewahren Sie die Schrauben und die O-Ringe im Pumpenkorb auf.
- c. Decken Sie den Motor ab, um ihn vor starkem Regen, Schnee und Eis zu schützen.
- d. Wickeln Sie den Motor nicht in Kunststoffmaterial ein. Dabei kann es innen im Motor zur Kondensation und zur Bildung von Rost kommen.

Pflege des Elektromotors

Vor Hitze schützen:

- a. Setzen Sie den Motor keiner direkten Sonneneinstrahlung aus.
- b. Alle Gehäuse müssen gut belüftet werden, um ein Überhitzen zu vermeiden.
- c. Sorgen Sie für ausreichende Querbelüftung.

Vor Feuchtigkeit oder anderen Witterungseinflüssen schützen.

- a. Schützen Sie den Motor vor Fremdkörpern oder Spritzwasser.
- b. Lagern (oder verschütten) Sie keine Pool-Chemikalien in der Nähe des Motors.
- c. Wenn ein Motor nass geworden ist, muss er zuerst trocknen, bevor er wieder in Betrieb genommen wird. Betreiben Sie den Motor nicht, wenn er überschwemmt wurde.
- d. Wenn ein Motor durch Wasser beschädigt wird, erlischt die Gewährleistung für den Motor.

KAPITEL 7. FEHLERBEHEBUNG

Benutzen Sie die nachstehenden Informationen zur Fehlerbehebung, um mögliche Probleme mit Ihrer FreeFlo™ -Pumpe zu lösen.

⚠ WARNING Risk of electrical shock or electrocution - Turn off power to unit prior to attempting service or repair.

PROBLEM	FEHLERBEHEBUNGSMASSNAHMEN
Pumpe saugt nicht an - zu viel Luft	Saugleitung und Stopfbuchsen an allen Saugschiebern kontrollieren. Topfgehäusedeckel auf dem Pumpensiebtopf festdrehen und sicherstellen, dass die Deckeldichtung eingelegt ist Sicherstellen, dass der O-Ring an der Verschraubung einwandfrei und eingelegt ist Sicherstellen, dass der O-Ring an der Diffusornase einwandfrei und eingelegt ist Wasserstand prüfen, um sicherzustellen, dass der Skimmer keine Luft ansaugt
Pumpe saugt nicht an - nicht genug Wasser	Sicherstellen, dass Saugleitungen, Pumpensieb und Pumpengehäuse mit Wasser gefüllt sind Sicherstellen, dass das Ventil an der Saugleitung arbeitet und geöffnet ist (einige Leitungen haben keine Ventile) Wasserstand prüfen, um sicherzustellen, dass Wasser über den Skimmer angesaugt wird
Pumpensiebkorb verstopft	Pumpensiebkorb reinigen
O-Ring für Pumpensieb schadhaft	O-Ring austauschen
VERRINGERTE LEISTUNG UND/ODER FÖRDERHÖHE	
Luftblasen oder Lecks in der Saugleitung	Saugleitung und Stopfbuchsen an allen Saugschiebern kontrollieren
Laufgrad verstopft	Laufgrad reinigen

Eine illustrierte Ersatzteilliste finden Sie unter: www.pentairpooleurope.com

EUROPA	AUSTRALIË	ZUID-AFRIKA
Pentair Water Belgium B.V.B.A	Pentair Water Australia	Pentair Water South Africa
Industriepark Wolfstee Toekomstlaan 30	1-21 Monash Drive Dandenong South	24 Vuurslag Street Spartan Ext7
B-2200 HERENTALS	VICTORIA 3175	GAUTENG 1619
BELGIË	AUSTRALIË	ZUID-AFRIKA
www.pentairpooleurope.com	www.pentairwater.com.au	www.kreepykrauly.co.za

Conformiteitsverklaring

De normen die toegepast werden om in overeenstemming te zijn met de essentiële vereisten van de richtlijn 2006/42/EC, zijn
 - EN60335-1
 - EN60335-2-41



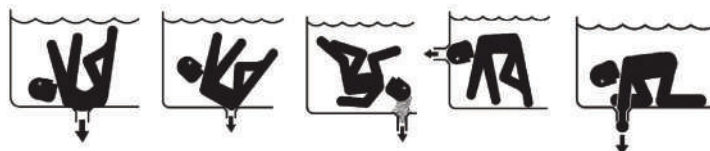
De fabrikant, Pentair, heeft het recht om de producten zonder voorafgaande melding te wijzigen, voor zover hun eigenschappen hierdoor niet wezenlijk veranderd worden.

© 2013 Pentair, Inc. Alle rechten voorbehouden. Dit document kan zonder voorafgaande kennisgeving gewijzigd worden.

Handelsmerken en disclaimers: Alle Pentair handelsmerken en logo's zijn eigendom van Pentair, Inc. FreeFlo™ en CamandRamp™ zijn handelsmerken van Pentair Inc. en/of zijn dochterondernemingen in de Verenigde Staten en/of andere landen. Tenzij uitdrukkelijk vermeld, worden de namen en merken van derde partijen die in dit document aan bod komen, niet gebruikt om een band tussen de eigenaars van die namen en merken Pentair Inc. aan te geven. Die namen en merken kunnen handelsmerken of geregistreerde handelsmerken van die derde partijen zijn.

⚠ DANGER WANNEER DE INSTRUCTIES EN WAARSCHUWINGEN NIET NAGELEefd WORDEN, KAN DAT ERNSTIGE OF DODELIJKE VERWONDINGEN TOT GEVOLG HEBBEN. DEZE POMP MAG ALLEEN DOOR EEN GEKwalificeERDE ONDERHOUDSTECHNICUS GEïNSTALLEERD EN ONDERHOUDEN WORDEN. DE INSTALLATEURS, OPERATORS EN EIGENAARS MOETEN DEZE WAARSCHUWINGEN EN ALLE INSTRUCTIES IN DE GEBRUIKERSHANDLEIDING LEZEN VOOR ZIJ DE POMP GEBRUIKEN. DE EIGENAAR VAN DE WONING MOET DEZE WAARSCHUWINGEN EN DE GEBRUIKERSHANDLEIDING BIJHOUDEN.

⚠ DANGER GEVAAR VOOR ONGEVALLen DOOR ZUIGKRACHT: BLIJF VOLDOENDE VER VAN DE HOOFDAFVOER EN VAN ALLE ZUIGMONDEN VERWIJDERD!



DEZE POMP ONTWIKKELT EEN HOGE ZUIGKRACHT EN VEROORZAAKT EEN KRACHTIG VACUÛM TER HOOGTE VAN DE HOOFDAFVOER OP DE BODEM VAN UW ZWEMBAD OF BUBBELBAD. DE ZUIGKRACHT IS ZO STERK DAT ZE VOLWASSENEN OF KINDEREN ONDER WATER KAN HOUDEN ALS DIE IN DE BUURT VAN EEN ZWEMBAD- OF BUBBELBADAFVOER OF EEN LOSZITTEND OF GEBROKEN AFVOERDEKSEL OF ROOSTER KOMEN.

LEES EN BEWAAR DEZE INSTRUCTIES OM ZE LATER TE KUNNEN RAADPLEGEN

⚠ DANGER ALS NIET-GOEDGEKEURDE AFVOERDEKSELS GEBRUIKT WORDEN, OF ALS HET ZWEMBAD OF HET BUBBELBAD MET ONTBREKENDE, GEBARSTEN OF GEBROKEN DEKSELS GEBRUIKT WORDT, KUNNEN HET LICHAAM, DE LEDEMATEN OF HET HAAR INGEKLEMD OF VERSTRIKT RAKEN. DAT KAN ER TOE LEIDEN DAT DE BUIKHOLTE OPENSCHERT OF DAT DE DOOD INTREEDT.

De zuigkracht bij de afvoer van een zwembad of bubbelbad kan de volgende ongevallen veroorzaken:

Ingeklemd ledematen: Wanneer een lidmaat in een opening wordt gezogen of getrokken waardoor het zwelt of gekneld raakt. Dit gevaar doet zich voor wanneer een afvoerdekseel ontbreekt, gebroken is, loszit, gebarsten is of niet correct werd bevestigd.

Verstrikte haren: Wanneer de haren in het afvoerdekseel verstrikt of verstrengeld raken, zodat de zwemmer onder water geblokkeerd wordt. Dit gevaar bestaat wanneer het debiet van het dekseel in verhouding te klein is voor de pomp of pompen.

Ingeklemd lichaam: Wanneer een deel van het lichaam tegen het afvoerdekseel wordt vastgezogen waardoor de zwemmer onder water geblokkeerd wordt. Dit gevaar bestaat wanneer het afvoerdekseel ontbreekt of gebroken is, of het debiet van het dekseel in verhouding niet hoog genoeg is voor de pomp of pompen.

Opengescheurde buikholte: Wanneer iemand op een open afvoer van een zwembad (vooral in een kinderswembad) of bubbelbad zit en rechtstreeks zuigkracht wordt uitgeoefend op de darmen, met ernstige beschadiging van de darmen als gevolg. Dit gevaar doet zich voor wanneer een afvoerdeksel ontbreekt, loszit, gebarsten is of niet correct werd bevestigd.

Mechanische beknelling: Wanneer een sieraad, zwempak, haarband, vinger, teen of knokkel in een afvoeropening of een afvoerdeksel wordt gegrepen. Dit gevaar doet zich voor wanneer een afvoerdeksel ontbreekt, gebroken is, loszit, gebarsten is of niet correct werd bevestigd.

OPMERKING: ALLE AANZUIGLEIDINGEN MOETEN GEÏNSTALLEERD WORDEN OVEREENKOMSTIG DE RECENTSTE NATIONALE OF LOKALE VOORSCHRIFTEN VOOR ZWEMBADEN, BUBBELBADEN EN HOTTUBS.

⚠ WARNING OM DE RISICO'S VAN KWETSUREN ALS GEVOLG VAN BEKNELLING TOT EEN MINIMUM TE BEPERKEN:

- moeten zwembaden EN bubbelbaden over minimaal twee afvoeren per pomp beschikken;
- moet op elke afvoer een zuigdeksel gemonteerd worden waarin men niet bekneld kan geraken.
- moeten de zuigdeksels minimaal één meter (1 m) van elkaar verwijderd zijn, gemeten op de dichtst bij elkaar gelegen punten.
- moeten alle deksels regelmatig worden gecontroleerd op barsten, beschadiging en verregaande verwerking.
- moet u, als een deksel loskomt, barsten vertoont, beschadigd of gebroken is of ontbreekt, het zwembad of het bubbelbad onmiddellijk sluiten, de pomp uitschakelen, een bericht uithangen en het zwembad of het bubbelbad gesloten houden tot een geschikt en gecertificeerd deksel op de juiste manier geïnstalleerd is.
- moet u indien nodig de afvoerdeksels vervangen. Afvoerdeksels verwerpen na een tijd door de blootstelling aan zonlicht, zwembadchemicaliën, en weer en wind.
- vermijdt u het om met de haren, de ledematen en het lichaam te dicht bij een zuigdeksel, zwembadafvoer of uitgang te komen.
- gebruikt u een veiligheids-vacuümontlastsysteem (SVRS), een systeem voor de beperking van de zuigkracht of een automatisch uitschakelsysteem voor de pomp

⚠ WARNING Een duidelijk aangegeven noodknop voor de zwembadpomp en de jetpomp van het bubbelbad moet op een gemakkelijk toegankelijke en voor de hand liggende plek naast het zwembad of het bubbelbad gemonteerd worden. Zorg ervoor dat gebruikers weten waar de knop staat en hoe ze die in geval van nood moeten gebruiken.

- Het systeem is niet bedoeld om gebruikt te worden door personen (met inbegrip van kinderen) met fysieke, zintuiglijke of verstandelijke beperkingen, of door personen met onvoldoende kennis en ervaring, tenzij ze onder supervisie staan of instructies betreffende het gebruik gekregen hebben van een persoon die voor hun veiligheid bevoegd is.
- Kinderen moeten in het oog gehouden worden om er zeker van te zijn dat ze niet met het systeem spelen.
- Een systeem om het systeem van de hoofdvoeding te scheiden, met een contactonderbreker in alle polen, moet in de vaste bekabeling voorzien zijn - in overeenstemming met de bekabelingsvoorschriften.
- De pomp moet gevoed worden via een RCD-systeem (systeem voor reststroom) met een stroomsterkte van niet meer dan 30 mA.
- Als de voedingskabel beschadigd is, moet hij door de producent, zijn onderhoudsagent of een gekwalificeerd persoon vervangen worden om een gevaarlijke situatie te voorkomen.

⚠ DANGER GEVAARLIJK DRUKNIVEAU: BLIJF UIT DE BUURT VAN DE POMP EN DE FILTER TIJDENS HET OPSTARTEN ERVAN. De circulatiesystemen van zwembaden en bubbelbaden werken onder hoge druk. Tijdens onderhoudswerkzaamheden



aan een onderdeel van het circulatiesysteem (bijv. pomp, filter, kleppen enz.) is het mogelijk dat lucht wordt aangezogen en onder druk wordt gezet. Samengeperste lucht kan het deksel van het pomphuis, het filterdeksel en de kleppen krachtig doen losschieten, met ernstige of dodelijke letsels tot gevolg. De deksels van filter en voorfilter moeten stevig worden bevestigd om te voorkomen dat ze losschieten. Blijf op voldoende afstand van alle circulatie-uitrusting wanneer u de pomp inschakelt of start. Elektrische bedieningselementen zoals schakelaars, timers en regelsystemen moeten correct geïnstalleerd worden om een correcte werking (opstarten, uitschakelen of onderhouden) van een pomp of filter mogelijk te maken, zonder dat de gebruiker met een deel van zijn/haar lichaam over of dicht bij het deksel van de voorfilter of de filter hoeft te komen. De installatie moet zodanig worden uitgevoerd dat de gebruiker op voldoende afstand van de filter en de pomp kan blijven tijdens het starten, het uitschakelen of het onderhoud van het systeem.

⚠ CAUTION Noteer de filterdruk vooraleer u aan zwembad- of bubbelbaduitrusting gaat werken. Vergewis u ervan dat alle elementen zo zijn ingesteld dat het systeem niet onbedoeld in werking kan treden tijdens het onderhoud. Schakel de stroomtoevoer naar de pomp volledig uit.

BELANGRIJK: Open, voor u het systeem start, de manuele drukontlastklep volledig en open alle systeemkleppen zodat het water ongehinderd naar het zwembad of het bubbelbad kan stromen. Blijf op voldoende afstand van alle zwembad- en bubbelbaduitrusting en start de pomp.

BELANGRIJK: Sluit de manuele drukontlastklep van de filter pas wanneer alle druk via de klep is afgelaten en er constant water stroomt. Controleer de drukmeter van de filter en vergewis u ervan dat die niet hoger is dan vóór het begin van de werkzaamheden.

AFDELING 1. ALGEMENE INFORMATIE

Controleer de doos op eventuele tekens van transportschade of ruwe behandeling. Als de doos of een pomponderdeel beschadigd is, verwittig dan onmiddellijk de transporteur.

Wanneer de veiligheidsinstructies niet opgevolgd worden, kan dat ernstige ongewenste gezondheidseffecten, of zelfs ernstige of dodelijke letsels tot gevolg hebben. Wanneer de veiligheidsinstructies niet opgevolgd worden, vervallen in ieder geval alle garanties en aansprakelijkheden van de fabrikant.

AFDELING 2. TOEPASSING

Mag alleen gebruikt worden om zwembadwater rond te stuwen.

AFDELING 3. ELEKTRISCHE VEREISTEN EN BEKABELING

De elektrische installatie moet in overeenstemming zijn met de lokale voorschriften betreffende de bekabeling, rekening houdend met het toegelaten vermogen. De pomp wordt geleverd met een kabel van 1,5 m (5 voet).

⚠ WARNING Een GFCI (Ground Fault Circuit Interrupter – circuitonderbreker met aardcontact) met een reststroom van maximum 30 mA is vereist bij de stroomvoorziening van de pomp. Daarnaast moet een elektricien, als er geen geschikt stopcontact beschikbaar is, een waterdicht stopcontact op een geschikte plek installeren. Het uitschakelen van de GFCI wijst op een elektrisch probleem. Als de GFCI uitgeschakeld wordt en niet teruggesteld kan worden, laat dan een gekwalificeerd elektricien het elektrische systeem nakijken en herstellen.

Gebruik geen verlengkabels omdat die in en rond het zwembad onveilig zijn.

Een onjuiste spanning kan brand veroorzaken of de pomp ernstig beschadigen. Tegelijk wordt de garantie daardoor nietig.

De spanning op de pomp mag niet meer dan 6% hoger of 10% lager zijn dan de spanningswaarde die op het identificatieplaatje van de pomp vermeld is. Anders kan de pomp oververhit raken, waardoor ze wegens overbelasting uitgeschakeld wordt en de levensduur van de onderdelen ingekort wordt.

Installatie van de kabels

Opmerking: Vooraleer dit product te installeren, dient u alle waarschuwingen en instructies te lezen en op te volgen.

⚠ WARNING Gevaar voor elektrische schok of elektrocutie.

De wisselstroomaansluiting van de pomp moet uitgevoerd worden door een onderhoudstechnicus, zoals beschreven in deze handleiding en in overeenstemming met alle lokale voorschriften die van kracht zijn. De installateur moet er ook zeker van zijn dat de pompmotor voldoende beschermd is. Alle vereiste kabels voor de pomp en de elektrische informatie (wisselstroom) is vermeld op het identificatieplaatje van de pompmotor.

**VOOR U ELEKTRISCHE KABELS OP DE POMP AANSLUIT, moet u de hoofdtoevoeding UITSCHAKELEN.
DE POMP AARDEN: ZORG ERVOOR DAT DE POMPMOTOR PERMANENT GEAARD IS.**

Zorg ervoor dat alle automatische uitschakelaars en schakelaars uitgeschakeld zijn alvorens de motor te bedraden.

Kies een kabelformaat uit de onderstaande tabel. Wanneer u twijfelt, neem dan een dikkere kabel (grotere diameter).

Met een dikkere kabel draait de motor bij een lagere temperatuur zodat hij efficiënter werkt. Vergewis u ervan dat alle elektrische aansluitingen schoon en waterdicht zijn. Snij de kabels op de juiste lengte af zodat ze elkaar niet overlappen of raken wanneer ze op de terminalplaat aangesloten zijn. Sluit de pomp permanent op een apart circuit aan. Vergewis u ervan dat er geen andere lichten of toestellen op dezelfde kring geschakeld zijn.

FORMAAT VOEDINGSKABEL (mm ²) (Formaat en lengte volgens vermogen.)				
Kw	HP	15 m (50 ft.)	30 m (100 ft.)	45 m (150 ft.)
0,25	1/3	2.5	2.5	4.0
0,37	1/2	2.5	4.0	6.0
0,55	3/4	4.0	4.0	6.0
0,75	1	4.0	6.0	10.0
1,10	1.5	6.0	6.0	10.0

AFDELING 4. DE POMP INSTALLEREN

- Installeer de pomp op minstens 1,5 m (5 voet) van de binnenwanden van het zwembad of het bubbelbad.
- Gebruik een zo recht en kort mogelijke zuigleiding met een constante helling, zo vermijdt u lange ontluchtingstijden.
- De pomp moet op een vlakke, stevige fundering gemonteerd worden die hoog genoeg is zodat de motor niet onder water kan komen te staan.
- Installeer de pomp in een beschutte, goed geventileerde plaats die goed toegankelijk is voor onderhoud.
- Monteer de elektrische bedieningselementen niet rechtstreeks op de pomp.
- Voorzie een goede afwatering van de vloer om schade aan toestel en eigendom te vermijden.
- Dimensioneer alle leidingen correct en beperk het aantal bochten tot een minimum.
- Ondersteun alle leidingen in de buurt van de zuig- en stuwzijde van de pomp om de belasting tot een minimum te beperken
- Het is belangrijk dat de zuigleiding vrij is van luchtlekken. De diameter van de zuigleiding moet altijd minstens even groot zijn als de zuigopening van de pomp.

AFDELING 5. START / BEDIENING

De pomp starten

- Draai het deksel van de voorfilter tegen de wijzers in tot het open gaat.
- Vul de voorfilter en het pomphuis met water, tot de inlaatpoort.
- Breng het deksel opnieuw op de voorfilter aan. Controleer of de O-ring goed geplaatst is. Breng het deksel van de voorfilter aan en draai het in wijzerzin tot de greep sluit. **Draai het alleen met de hand dicht!**
- Open de handbediende drukontlastklep boven op de filter. Als er geen handbediende drukontlastklep is, drukt u de hendel van de klep met meervoudige poorten in om de druk te laten ontsnappen.
- Blijf ver genoeg weg van het systeem en de filter. Start de motor.
- Ontlucht de filter tot er een constante waterstroom uit komt. Sluit de handbediende drukontlastklep.
- De vultijd is afhankelijk van de aanzuighoogte en de afstand tot het zwembad. Vijf minuten om de pomp te vullen, is normaal.

De pomp kan een maximaal hoogteverschil van 1,8 meter (6 voet) overwinnen. Als de pomp niet aanzuigt, raadpleeg dan het hoofdstuk "Problemen oplossen".

AFDELING 6. ONDERHOUD

⚠ WARNING Gevaar voor elektrische schok of elektrocutie.



Maak de zwembadpomp altijd spanningsloos d.m.v. de uitschakelaar alvorens ze te onderhouden. Als u dit niet doet, kan dit de dood of ernstige verwondingen van de monteur, zwembadgebruikers of anderen tot gevolg hebben wegens een elektrische schok. Lees alle onderhoudsinstructies vooraleer u aan de pomp gaat werken.

⚠ WARNING Open het deksel van de voorfilter NIET als de pomp niet aanzuigt of als de pomp gewerkt heeft zonder dat er water in de voorfilter zat.



Pompen die in deze omstandigheden draaien, kunnen stoomdruk opbouwen en kokend heet water bevatten. De pomp openen kan dan ernstige letsels tot gevolg hebben. Om lichamelijke letsels te vermijden, moet u er zich van vergewissen dat de aanzuig- en afvoerkleppen geopend zijn en de voorfilter koud aanvoelt. Als dat het geval is, kunt u uiterst voorzichtig de pomp openen.

De voorfilter bevindt zich voor de behuizing van de pomp. In de kamer is er een zeefmand die altijd vrij gehouden moet worden van bladeren en afval. Via het deksel met kijkgaatje controleert u de zeefmand op bladeren en afval.

⚠ CAUTION De zeefmand van de pomp

Ongeacht de tijdsduur tussen de reinigingsbeurten van de filter is het onontbeerlijk om de zeefmand minstens een keer per week visueel te controleren. Een vuile zeefmand vermindert het rendement van de pomp en betekent ook een ongewone belasting van de pompmotor wat tot een dure herstelling kan leiden.

1. Schakel de motor uit en laat de druk uit het systeem ontsnappen.
2. Draai het deksel van de voorfilter tegen de wijzers in tot het opengaat en neem dan het deksel weg.
3. Gooi het vuil uit de zeefmand in de afvalbak en spoel de mand uit. Als de zeefmand gebarsten is, moet u ze vervangen.
4. Vervang de zeefmand Controleer of de zeefmand goed in de behuizing van de voorfilter zit.
5. Vul de voorfilter en het pomphuis met water, tot de inlaatpoort.
6. Reinig het deksel van de voorfilter, de O-ring en het afdichtoppervlak van de behuizing van de voorfilter. Smeer de O-ring vervolgens met een smeermiddel op basis van silicone.
7. Breng het deksel opnieuw op de voorfilter aan. Controleer of de O-ring goed geplaatst is. Breng het deksel van de voorfilter aan en draai het in wijzerzin tot de greep sluit. **Draai het alleen met de hand dicht!**

8. Schakel met de stroomonderbreker de stroomvoeding in. Zet de zwembadklok juist.

DEZE POMP WERKT ONDER HOGE DRUK



WARNING Tijdens onderhoudswerkzaamheden aan een onderdeel van het circulatiesysteem (bijv. deksel voorfilter, pomp, filter, kleppen, enz.) is het mogelijk dat lucht wordt aangezogen en druk wordt opgebouwd. Lucht onder druk kan tot gevolg hebben dat het deksel los komt, wat dan tot letsels of de dood van de onderhoudstechnicus of tot schade kan leiden. Om dat gevaar te vermijden, volgt u deze instructies.

9. Open de handbediende drukontlastklep boven op de filter. Als er geen handbediende drukontlastklep is, drukt u de hendel van de klep met meervoudige poorten in om de druk te laten ontsnappen.
10. Blijf ver genoeg weg van het systeem en de filter.
11. Start de pomp.
12. Ontlucht de filter tot er een constante waterstroom uit komt. Sluit de handbediende drukontlastklep.

Overwinteren

Als de luchttemperatuur onder 2°C (35 °F) daalt, kan het water in de pomp bevroren en schade veroorzaken.

Voor vorstschade wordt geen garantie gegeven.

Om vorstschade te voorkomen, volgt u de onderstaande procedures:

- Maak de pomp spanningsloos via de stroomonderbreker op de behuizing.
- Laat het water uit de pomp weglopen door de twee afvoerpluggen (met de hand los te draaien) en de O-ring uit de pomp-behuizing weg te nemen. Neem ook de afvoerplug uit de behuizing van de voorfilter weg. Berg de pluggen en de O-ringen in de zeefmand op.
- Bedek de motor om hem tegen regen, sneeuw en ijs te beschermen.
- Wikkel de motor niet in kunststof. Dit leidt tot condensatie en roest op de binnenkant van de motor.

De elektrische motor onderhouden

Tegen warmte beschermen.

- Bescherm de motor tegen direct zonlicht.
- Alle behuizingen moeten goed geventileerd zijn om oververhitting te voorkomen.
- Zorg voor voldoende dwarse ventilatie.

Tegen vocht en andere elementen beschermen.

- Bescherm tegen vreemde stoffen of spatwater.
- Sla geen zwembadchemicaliën op (of mors er geen) in de buurt van de motor.
- Als een motor nat geworden is - laat hem dan drogen alvorens hem opnieuw in gebruik te nemen. Gebruik de motor niet nadat hij overstroomd geweest is.
- Een beschadiging van de motor door water doet de garantie vervallen.

AFDELING 7. PROBLEMEN OPLOSSEN

Gebruik de volgende informatie voor het opsporen van fouten om mogelijke problemen met uw FreeFlo™-pomp op te lossen.



WARNING Gevaar voor elektrische schok of elektrocutie – schakel de stroomvoeding van de eenheid uit voor u een onderhoud of herstelling uitvoert.

PROBLEEM	MAATREGELEN
Pomp zuigt niet aan – te veel lucht	Controleer de aanzuigleidingen en klepringen op de zuigkleppen. Bevestig het deksel op de voorfilter en vergewis u ervan dat de O-ring op zijn plaats zit. Controleer of de O-ring op de verbinding in orde is en op zijn plaats zit. Controleer of de O-ring op de verdeelneus in orde is en op zijn plaats zit. Controleer het waterpeil om u ervan te vergewissen dat de skimmer geen lucht aanzuigt.
Pomp wordt niet volledig met water gevuld - Onvoldoende water.	Controleer of de aanzuigleidingen, de voorfilter en het pomphuis met water gevuld zijn. Controleer of de klep op de zuigleiding werkt en open is (sommige leidingen hebben geen kleppen) Controleer het waterpeil om u ervan te vergewissen dat water via de skimmer aangevoerd kan worden.
Zeefmand verstopt	Reinig de zeefmand
O-ring van de zeefmand defect	Vervang de O-ring
VERMINDERDE CAPACITEIT EN/OF DRUK	
Luchtbellen of lekken in aanzuigleiding	Controleer de aanzuigleidingen en klepringen op de zuigkleppen.
Schoepenrad verstopt	Verwijder vuil van het schoepenrad

U vindt een geïllustreerde onderdelenlijst op: www.pentairpooleurope.com

EUROPE	Australie	Afrique du Sud
Pentair Water Belgium B.V.B.A	Pentair Water Australia	Pentair Water South Africa
Industriepark Wolfstee Toekomstlaan 30	1-21 Monash Drive Dandenong South	24 Vuurslag Street Spartan Ext7
B-2200 HERENTALS	VICTORIA 3175	GAUTENG 1619
Belgique	AUSTRALIE	AFRIQUE DU SUD
www.pentairpooleurope.com	www.pentairwater.com.au	www.kreepykrauly.co.za

Déclaration de conformité

Normes appliquées pour attester de la conformité avec les exigences essentielles de la directive 2006/42/CE.

- EN60335-1

- EN60335-2-41



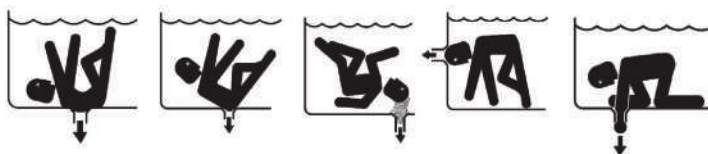
Le fabricant, Pentair, est en droit de modifier les produits sans avis préalable tant que leurs caractéristiques n'en sont pas réellement altérées.

© 2013 Pentair, Inc. Tous droits réservés. Ce document est sujet à révision sans préavis.

Marques de fabrique et avis de non-responsabilité : Tous les logos et marques déposées de Pentair sont la propriété de Pentair, Inc. FreeFlo™ et Cam and Ramp™ sont des marques déposées de Pentair Inc. et/ou de ses sociétés affiliées aux États-Unis et/ou dans d'autres pays. Sauf mention contraire, les noms et marques de tiers qui peuvent être utilisés dans ce document ne signifient aucune-ment une quelconque adhésion entre les propriétaires de ces noms et marques et Pentair Inc. Ces noms et marques peuvent être les marques de commerce ou marques déposées de ces tiers.

⚠ DANGER NE PAS SUIVRE TOUTES LES CONSIGNES ET TOUS LES AVERTISSEMENTS PEUT CAUSER DES BLESSURES CORPORELLES GRAVES, VOIRE LA MORT. SEUL UN PROFESSIONNEL D'ENTRETIEN QUALIFIÉ PEUT INSTALLER ET ENTREtenir CETTE POMPE. LES INSTALLATEURS, OPÉRATEURS ET PROPRIÉTAIRES DOIVENT LIRE CES AVERTISSEMENTS ET TOUTES LES CONSIGNES DU MANUEL DU PROPRIÉTAIRE AVANT D'UTILISER CETTE POMPE. CES AVERTISSEMENTS ET LE MANUEL DU PROPRIÉTAIRE DOIVENT ÊTRE LAISSÉS AU PROPRIÉTAIRE.

⚠ DANGER RISQUE DE PIÈGE PAR ASPIRATION : RESTEZ ÉLOIGNÉ(E) DE L'ÉVACUATION PRINCIPALE ET DE TOUTES LES SORTIES D'ASPIRATION !



CETTE POMPE PRODUIT DES NIVEAUX ÉLEVÉS D'ASPIRATION ET CRÉE UNE DÉPRESSION PUISSANTE AU NIVEAU DE L'ÉVACUATION PRINCIPALE AU FOND DE LA PISCINE ET DU SPA. CETTE ASPIRATION EST SI FORTE QU'ELLE PEUT PIÉGER DES ADULTES OU DES ENFANTS SOUS L'EAU S'ILS S'APPROCHENT TRÈS PRÈS DE L'ÉVACUATION DE LA PISCINE OU DU SPA OU D'UN COUVERCLE/D'UNE GRILLE D'ÉVACUATION CASSÉ(e) OU DESSERRÉ(e).

VEUILLEZ LIRE ET CONSERVER CES CONSIGNES POUR TOUTE RÉFÉRENCE ULTÉRIEURE

⚠ DANGER L'UTILISATION DE COUVERCLES NON AUTORISÉS OU LA PERMISSION D'UTILISER LA PISCINE OU LE SPA LORSQUE LES COUVERCLES SONT MANQUANTS, FISSURÉS OU CASSÉS PEUT PIÉGER LE CORPS OU UN de ses MEMBRES, ENTRAÎNER UN ENCHEVÊTREMENT DES CHEVEUX, UNE ÉVISCÉRATION ET/OU PROVOQUER LA MORT.

L'aspiration de l'évacuation ou la sortie de la piscine ou du spa peut :

Piéger un membre du corps : Si un membre est aspiré ou coincé dans une ouverture entraînant un piège mécanique ou un gonflement. Le risque est présent si un couvercle d'évacuation est manquant, cassé, desserré, fissuré ou sécurisé de manière incorrecte.

Entraîner un enchevêtrement des cheveux : Si les cheveux sont enchevêtrés ou coincés dans le couvercle d'évacuation, piégeant par conséquent le nageur sous l'eau. Ce risque est présent si le débit du couvercle est trop faible pour la ou les pompe(s).

Piéger le corps : Si une partie du corps est maintenue contre le couvercle d'évacuation piégeant par conséquent le nageur sous l'eau. Le risque est présent si le couvercle d'évacuation est manquant, cassé ou si le débit n'est pas assez élevé pour la ou les pompe(s).

Entraîner une éviscération / un éventrement : Quand une personne s'assoit sur une piscine ouverte (particulièrement les pataugoires pour enfant) ou sur la sortie du spa et si l'aspiration est appliquée directement sur les zones intestinales, causant des blessures graves. Le risque est présent si un couvercle d'évacuation est manquant, desserré, fissuré ou sécurisé de manière incorrecte.

Entraîner un piège mécanique : Quand des bijoux, un maillot de bain, des décorations pour cheveux, des doigts, des orteils ou des articulations sont pris dans l'ouverture d'une sortie ou d'un couvercle d'évacuation. Le risque est présent si un couvercle d'évacuation est manquant, cassé, desserré, fissuré ou sécurisé de manière incorrecte.

REMARQUE : TOUTES LES TUYAUTERIES D'ASPIRATION DOIVENT ÊTRE INSTALLÉES CONFORMÉMENT AUX DERNIÈRES NORMES NATIONALES ET LOCALES EN VIGUEUR POUR LES PISCINES, LES SPAS ET LES JACUZZIS.

⚠ WARNING POUR MINIMISER LES RISQUES DE BLESSURES PAR PIÈGE D'ASPIRATION :

- Les piscines et les spas devraient être équipés de deux évacuations minimum par pompe.
- Un couvercle d'aspiration anti-piège correctement installé et sécurisé doit être employé pour chaque évacuation.
- Les couvercles d'aspiration doivent être installés à au moins un mètre l'un de l'autre, du point le plus proche au point le plus proche.
- Inspectez régulièrement tous les couvercles pour vérifier la présence de fissures, de dommages ou d'effritements avancés.
- Si un couvercle est desserré, fissuré, endommagé, cassé ou manquant, fermez la piscine ou le spa immédiatement, arrêtez la pompe, posez un signal d'avertissement et maintenez la piscine ou le spa fermé jusqu'à l'installation et l'approbation d'un couvercle homologué.
- Remplacez les couvercles d'évacuation si nécessaire. Les couvercles d'évacuation se détériorent avec le temps en raison de l'exposition à la lumière du soleil, des produits chimiques de piscine et des conditions météorologiques.
- Ne mettez pas les cheveux, le corps ou un de ses membres à proximité immédiate d'un couvercle d'aspiration, de l'évacuation ou de la sortie d'une piscine.
- Utilisez un dispositif de sécurité contre l'effet de ventouse ("SVRS"), un système de limite d'aspiration ou un système d'arrêt automatique de la pompe.

⚠ WARNING Un commutateur de coupure d'urgence clairement étiqueté pour la pompe de la piscine et la pompe du jet du spa doit être placé dans un endroit évident, facilement accessible, à proximité de la piscine ou du spa. Assurez-vous que les baigneurs savent où il se trouve et comment l'utiliser en cas d'urgence.

- L'appareil n'est pas conçu pour être utilisé par des personnes (y compris des enfants) ayant des aptitudes physiques, sensorielles ou mentales réduites ou manquant d'expérience et de connaissance, sauf si elles sont supervisées ou ont reçu des instructions concernant l'utilisation de l'appareil par une personne responsable de leur sécurité.
- Les enfants doivent être sous surveillance afin de s'assurer qu'ils ne jouent pas avec l'appareil.
- Un moyen de déconnexion de l'alimentation secteur, avec une séparation de contact à tous les pôles, doit être inclus dans le câblage fixe conformément aux règles de câblage.
- La pompe doit être alimentée via un dispositif de courant résiduel (RCD) dont le courant de fonctionnement résiduel nominal n'excède pas 30 mA.
- Si le cordon d'alimentation est endommagé, il doit être remplacé par le fabricant, son agent de service ou des personnes qualifiées équivalentes en vue d'éviter tout risque.

⚠ DANGER **PRESSIION DANGEREUSE : RESTEZ ÉLOIGNÉ DE LA POMPE ET DU FILTRE PENDANT LE DÉMARRAGE.** Les systèmes de circulation pour piscine et spa fonctionnent sous haute pression. En cas d'entretien de n'importe quelle pièce du système de circulation (par exemple pompe, filtre, vannes, etc.), de l'air peut entrer dans le système et être pressurisé. L'air sous pression peut séparer violemment le boîtier de la pompe, le couvercle, le couvercle du filtre et les vannes, causant des blessures graves, voire la mort. Le couvercle de la bouteille du filtre et le couvercle du pré-filtre doivent être sécurisés pour empêcher toute séparation violente. Restez éloigné de tout l'équipement du système de circulation lors de la mise en marche ou du démarrage de la pompe.



Les commandes électriques comme les interrupteurs marche/arrêt, les timers et les systèmes de commande, devraient être installées pour permettre à la pompe ou au filtre de fonctionner (démarrage, arrêt ou entretien) sans devoir mettre une partie du corps sur ou à proximité du couvercle du pré-filtre de la pompe ou du couvercle du filtre. Une telle installation devrait permettre à l'utilisateur de rester éloigné du filtre et de la pompe pendant le démarrage, l'arrêt ou l'entretien du système.

⚠ CAUTION Avant l'entretien de l'équipement pour piscine et spa, notez la pression du filtre. Vérifiez que toutes commandes sont positionnées pour garantir que le système ne se mette pas par inadvertance en marche pendant l'entretien. Coupez le courant de la pompe.

IMPORTANT : Avant le démarrage du système, ouvrez entièrement la vanne de purge d'air manuelle et mettez toutes les vannes du système en position « ouverte » pour permettre à l'eau de circuler librement de la piscine au spa, et inversement. Restez éloigné de l'équipement pour piscine et spa et démarrez la pompe.

IMPORTANT : Ne fermez pas la vanne de purge d'air manuelle avant que toute la pression soit évacuée et qu'un flux constant d'eau apparaisse. Observez la jauge de pression du filtre et vérifiez qu'elle n'est pas supérieure aux conditions préalables à l'entretien.

SECTION 1. INFORMATIONS GÉNÉRALES

Vérifiez l'emballage de la pompe pour y détecter tout signe de dommages dus à une mauvaise manipulation pendant le transport. Si le carton ou des composants de la pompe sont endommagés, notifiez immédiatement le transporteur. Ne pas suivre les consignes de sécurité peut causer des effets néfastes sur la santé, ou même des blessures graves, voire la mort. Ne pas suivre les consignes de sécurité invalidera dans tous les cas les garanties et exonèrera le fabricant de toute responsabilité.

SECTION 2. APPLICATION

À utiliser uniquement pour faire circuler l'eau de piscine.

SECTION 3. Exigences électriques et câblage

L'installation électrique doit être conforme aux codes de câblage locaux et prendre en compte ses valeurs nominales. La pompe est alimentée par un cordon électrique de 1,5 m (5 pieds).

⚠ WARNING Un GFCI (disjoncteur - détecteur de fuites à la terre) avec un courant nominal résiduel maximal de 30 mA est nécessaire pour l'alimentation électrique de la pompe. En outre, si une prise de courant adéquate n'est pas disponible, une prise à l'épreuve des intempéries doit être installée par un électricien dans un endroit approprié. Le déclenchement du GFCI indique un problème électrique. Si le GFCI se déclenche et ne se réarme pas, faites inspecter et réparer le système électrique par un électricien qualifié.

N'utilisez pas de rallonges électriques, car celles-ci sont dangereuses dans et autour de la zone de la piscine.

Une tension incorrecte peut déclencher un incendie ou endommager gravement la pompe, ce qui annule la garantie.

La tension à la pompe ne doit pas être supérieure de 6 % ou inférieure de 10 % à la tension nominale indiquée sur la plaque signalétique du moteur ou la pompe risque de surchauffer, occasionnant un déclenchement en cas de surcharge et réduisant la durée de vie des composants.

Installation du câblage

Remarque : Avant de procéder à l'installation de ce produit, lisez et respectez toutes les mises en garde et consignes qui l'accompagnent.

⚠ WARNING Risque de décharge électrique ou d'électrocution.

La connexion CA de la pompe doit être réalisée par un professionnel du service, comme décrit dans le présent manuel et dans tous les règlements locaux actuels applicables. L'installateur de service professionnel doit aussi s'assurer que le moteur de la pompe est suffisamment protégé. Toutes les informations nécessaires sur le câblage de la pompe et le circuit électrique CA figurent sur la plaque signalétique du moteur de la pompe.

AVANT LE BRANCHEMENT DE CÂBLES ÉLECTRIQUES CA À LA POMPE, veillez à couper l'alimentation CA principale.

MISE À LA TERRE DE LA POMPE : VEILLEZ À RELIER EN PERMANENCE LE MOTEUR DE LA POMPE À LA TERRE.

Assurez-vous que tous les interrupteurs et disjoncteurs électriques sont coupés avant de raccorder le moteur.

Choisissez une taille de câble dans le tableau ci-dessous. En cas de doute, utiliser un fil de plus gros diamètre.

Un plus gros calibre permettra au moteur de tourner plus efficacement. Assurez-vous que toutes les connexions électriques sont propres et étanches. Coupez les fils à la longueur appropriée de sorte qu'ils ne se chevauchent ou ne se touchent pas quand ils sont connectés au bornier. Connectez en permanence la pompe à un circuit séparé. Veillez à ce qu'aucune lumière ni appareil ne soit sur le même circuit.

TAILLES DE CÂBLES D'ALIMENTATION (mm ²)				
(Taille et longueur par puissance.)				
Kw	HP	15 m (50 ft.)	30 m (100 ft.)	45 m (150 ft.)
0,25	1/3	2.5	2.5	4.0
0,37	1/2	2.5	4.0	6.0
0,55	3/4	4.0	4.0	6.0
0,75	1	4.0	6.0	10.0
1,10	1.5	6.0	6.0	10.0

SECTION 4. INSTALLATION DE LA POMPE

- N'installez pas la pompe à moins de 1,5 m (5 pieds) des murs intérieurs de la piscine ou du spa.
- Utilisez une conduite d'aspiration courte et directe en pente continue pour éviter d'augmenter le temps d'amorçage.
- La pompe devrait être placée sur une fondation solide et à niveau, et élevée de manière à éviter les déversements sur le moteur.
- Installez la pompe à un emplacement sous abri, en assurant une aération et un accès adéquat pour l'entretien.
- N'installez pas de commandes électriques directement sur la pompe.
- Assurez une évacuation adéquate au sol afin de ne pas endommager l'équipement et d'autres biens.
- Tous les tuyaux doivent être de longueur égale, et veillez à minimiser le nombre de coudes.
- Soutenez indépendamment la conduite à proximité de l'aspiration et de la décharge de la pompe pour réduire la tension.
- La conduite d'aspiration doit absolument être dépourvue de fuites d'air. La conduite d'aspiration devrait avoir la même taille que l'entrée d'aspiration de la pompe.

SECTION 5. Mise en marche / Fonctionnement

Mise en marche de la pompe

- Tournez le couvercle du panier de pré-filtre dans le sens antihoraire jusqu'à ce qu'il s'ouvre.
- Remplissez le panier de pré-filtre et la volute avec de l'eau jusqu'à l'orifice d'entrée.
- Réinstallez le couvercle du panier de pré-filtre en reposant le couvercle sur le panier de pré-filtre. Assurez-vous que le joint torique du couvercle est bien en place. Positionnez le couvercle du panier de pré-filtre correctement, puis tournez-le dans le sens horaire jusqu'à ce que la poignée soit bloquée. **Serrez uniquement à la main !**
- Ouvrez la vanne de décharge d'air manuelle au-dessus du filtre. En l'absence de vanne de décharge d'air manuelle, appuyez sur la poignée de la vanne multivoies pour relâcher la pression.
- Tenez-vous éloigné du système et du filtre. Mettez le moteur sous tension.
- Purgez l'air du filtre jusqu'à ce qu'un jet d'eau constant sorte. Fermez la vanne de décharge d'air manuelle.
- Le temps d'amorçage dépend de la hauteur d'aspiration et de la distance de la piscine. Cinq minutes constituent une durée raisonnable pour l'amorçage.

La pompe ne s'élèvera pas de plus de 1,8 m (6 pieds). Si la pompe ne s'amorce pas, reportez-vous au guide de dépannage.

SECTION 6. MAINTENANCE

WARNING Risque de décharge électrique ou d'électrocution.



Débranchez toujours le courant de la pompe de piscine au niveau du disjoncteur avant d'intervenir sur la pompe. Tout manquement à cette obligation est susceptible d'entraîner la mort ou d'occasionner des lésions corporelles graves aux utilisateurs de la piscine, aux installateurs ou à d'autres personnes en raison du risque d'électrocution. Lisez toutes les instructions d'entretien avant d'intervenir sur la pompe.

WARNING N'ouvrez PAS le couvercle du panier de pré-filtre si la pompe ne s'amorce pas ou si elle a fonctionné sans eau dans le panier de pré-filtre.



Les pompes actionnées dans ces circonstances peuvent connaître une accumulation de pression de vapeur et contenir de l'eau chaude. L'ouverture de la pompe peut provoquer de graves blessures. Afin d'éviter le risque de blessures, assurez-vous que les vannes d'aspiration et de décharge sont ouvertes et que la température du panier de pré-filtre est froide au toucher, puis ouvrez la pompe avec une extrême précaution.

L'unité du panier de pré-filtre de la pompe se trouve à l'avant du boîtier de la pompe. La chambre contient le panier qui doit rester propre et exempt de feuilles et de débris à tout moment. Pour vérifier s'il y a des feuilles et des débris, observez le panier par le couvercle transparent.

CAUTION Le panier de pré-filtre de la pompe

Quel que soit l'intervalle entre les nettoyages de filtre, il est très important d'inspecter visuellement le panier de pré-filtre au moins une fois par semaine. Un panier sale réduira l'efficacité de la pompe et sollicitera anormalement le moteur de la pompe, ce qui pourrait entraîner une facture de réparation élevée.

1. Mettez le moteur hors tension et purgez la pression dans le système.
2. Tournez le couvercle du panier de pré-filtre dans le sens antihoraire jusqu'à ce qu'il s'ouvre, puis retirez le couvercle du panier.
3. Jetez les débris du panier à la poubelle et rincez le panier. Si le panier de pré-filtre est fissuré, il doit être remplacé.
4. Remplacez le panier de pré-filtre. Assurez-vous que le panier est positionné correctement dans le panier de pré-filtre.
5. Remplissez le panier de pré-filtre et la volute avec de l'eau jusqu'à l'orifice d'entrée.
6. Nettoyez le couvercle du panier de pré-filtre, le joint torique et la surface d'étanchéité du panier de pré-filtre. Graissez ensuite le joint torique avec un lubrifiant à base de silicone.

7. Réinstallez le couvercle du panier de pré-filtre en reposant le couvercle sur le panier de pré-filtre. Assurez-vous que le joint torique du couvercle est bien en place. Positionnez le couvercle du panier de pré-filtre correctement, puis tournez-le dans le sens horaire jusqu'à ce que la poignée soit bloquée. **Serrez uniquement à la main !**
8. Mettez sous tension au disjoncteur du boîtier. Réinitialiser l'horloge de la piscine à l'heure correcte.

CETTE POMPE FONCTIONNE SOUS HAUTE PRESSION.

⚠ WARNING En cas d'entretien de n'importe quelle pièce du système de circulation (par exemple : couvercle du panier de pré-filtre, pompe, filtre, vannes, etc.), de l'air peut entrer dans le système et être pressurisé. De l'air sous pression peut entraîner une séparation du couvercle, ce qui peut engendrer des blessures graves, la mort ou des dommages matériels. Pour éviter ce risque potentiel, suivez ces instructions.

9. Ouvrez la vanne de décharge d'air manuelle au-dessus du filtre. En l'absence de vanne de décharge d'air manuelle, appuyez sur la poignée de la vanne multivoies pour relâcher la pression.
10. Tenez-vous éloigné du système et du filtre.
11. Démarrez la pompe.
12. Purgez l'air du filtre jusqu'à ce qu'un jet d'eau constant sorte. Fermez la vanne de décharge d'air manuelle.

Hivérisation

Si la température de l'air descend sous 2 °C, l'eau de la pompe peut geler et provoquer des dégâts.

Les dégâts causés par le gel ne sont pas couverts par la garantie.

Pour éviter des dégâts par le gel, suivez les procédures reprises ci-dessous :

- a. Coupez le courant de la pompe au niveau du disjoncteur du boîtier.
- b. Purgez l'eau de la pompe en déposant les deux bouchons de purge s'ouvrant avec le pouce, les joints toriques du boîtier de la pompe et le joint torique du panier de pré-filtre. Rangez les bouchons et les joints toriques dans le panier de la pompe.
- c. Recouvrez le moteur pour le protéger de la pluie, de la neige ou du gel.
- d. N'enveloppez pas le moteur dans du plastique. Cela risque de provoquer de la condensation et de la rouille à l'intérieur du moteur.

Entretien du moteur électrique

Protection contre la chaleur.

- a. Protégez le moteur contre les rayons directs du soleil.
- b. Tout local clos doit être bien ventilé pour éviter une surchauffe.
- c. Prévoyez une ventilation transversale suffisante.

Protégez contre l'humidité ou d'autres éléments.

- a. Protégez le moteur des corps étrangers ou des projections d'eau.
- b. Ne rangez (ou déversez) pas de produits chimiques de piscine près du moteur.
- c. Si un moteur est mouillé, laissez-le sécher avant de l'utiliser. Ne la faites pas fonctionner si elle a été noyée.
- d. Si un moteur a été endommagé par l'eau, la garantie sera annulée.

SECTION 7. DÉPANNAGE

Utiliser les informations de dépannage suivantes pour résoudre les problèmes éventuels de votre pompe de la série FreeFlo™.

⚠ WARNING Risque de décharge électrique ou d'électrocution - Coupez le courant de l'appareil avant de tenter un entretien ou une réparation.

PROBLÈME	ACTIONS CORRECTRICES
La pompe ne s'amorce pas - trop d'air	Vérifiez les tuyaux et les garniture d'étanchéité sur les vannes d'aspiration. Fixez le couvercle sur le panier de pré-filtre de la pompe et assurez-vous que le joint torique du couvercle est en place. Assurez-vous que le joint torique sur le raccord union est correct et en place. Assurez-vous que le joint torique sur le nez du diffuseur est correct et en place. Vérifiez le niveau d'eau pour s'assurer que le skimmer n'aspire pas d'air.
La pompe ne s'amorce pas - pas assez d'eau.	Assurez-vous que les conduites d'aspiration, le panier de pré-filtre de la pompe et la volute de pompe sont remplis d'eau. Assurez-vous que la vanne sur la ligne d'aspiration fonctionne et est ouverte (certaines n'ont pas de vanne). Vérifiez le niveau d'eau pour que de l'eau soit présente dans le skimmer.
Panier de pré-filtre de la pompe colmaté.	Nettoyez le panier de pré-filtre de la pompe.
Joint torique du panier de pré-filtre de la pompe défectueux.	Remplacez le joint torique.
CAPACITÉ ET/OU DÉBIT RÉDUIT	
Poches d'air ou fuite dans la conduite d'aspiration	Vérifiez les tuyaux et les garniture d'étanchéité sur les vannes d'aspiration.
Turbine obstruée	Retirez les saletés de la turbine.

Vous trouverez une liste illustrée des pièces de rechange sur : www.pentairpooleurope.com

EUROPA	AUSTRALIA	SUDÁFRICA
Pentair Water Belgium B.V.B.A	Pentair Water Australia	Pentair Water South Africa
Industriepark Wolfstee Toekomstlaan 30	1-21 Monash Drive Dandenong South	24 Vuurslag Street Spartan Ext7
B-2200 HERENTALS	VICTORIA 3175	GAUTENG 1619
BÉLGICA	AUSTRALIA	SUDÁFRICA
www.pentairpooleurope.com	www.pentairwater.com.au	www.kreepykrauly.co.za

Declaración de conformidad

Normas utilizadas para demostrar el cumplimiento con las disposiciones esenciales recogidas en la Directiva 2006/42/CE

- EN60335-1

- EN60335-2-41



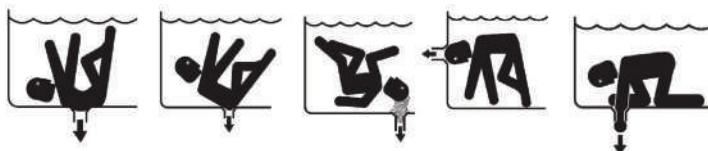
El fabricante, Pentair, tiene derecho a modificar los productos sin previo aviso mientras no modifique sus características.

© 2013 Pentair, Inc. Todos los derechos reservados. Este documento puede ser modificado sin previo aviso.

Marcas comerciales y limitaciones de responsabilidad: Todas las marcas comerciales y logotipos de Pentair son propiedad de Pentair, Inc. FreeFlo™ y Cam and Ramp™ son marcas comerciales de Pentair Inc. y/o de sus empresas filiales en los Estados Unidos y/u otros países. Salvo que se indique lo contrario, los nombres y marcas de terceros que figuran en este documento no se utilizan para indicar una afiliación o aprobación entre los propietarios de estos nombres y marcas y Pentair. Esos nombres y marcas pueden ser marcas comerciales o marcas registradas de esas terceras partes.

⚠ DANGER SI NO SE OBSERVAN TODAS LAS INSTRUCCIONES Y ADVERTENCIAS PODRÍAN PRODUCIRSE LESIONES CORPORALES GRAVES E INCLUSO LA MUERTE. ESTA BOMBA DEBE SER INSTALADA Y MANIPULADA ÚNICAMENTE POR UN PROFESIONAL DE SERVICIO CUALIFICADO. ANTES DE USAR ESTA BOMBA, LOS INSTALADORES, OPERADORES Y PROPIETARIOS DEBEN LEER ESTAS ADVERTENCIAS Y LAS INSTRUCCIONES DEL MANUAL DEL PROPIETARIO. ESTAS ADVERTENCIAS Y EL MANUAL DEL PROPIETARIO DEBEN PERMANECER SIEMPRE EN PODER DEL PROPIETARIO.

⚠ DANGER PELIGRO DE ATRAPAMIENTO POR SUCCIÓN: MANTÉNGASE ALEJADO DEL DESAGÜE PRINCIPAL Y DE TODAS LAS TOMAS DE SUCCIÓN.



ESTA BOMBA PRODUCE GRANDES NIVELES DE SUCCIÓN Y CREA UN FUERTE VACÍO EN EL DESAGÜE PRINCIPAL SITUADO EN EL FONDO DE LA PISCINA. DICHA SUCCIÓN ES TAN FUERTE QUE PUEDE ATRAPAR A ADULTOS O NIÑOS BAJO EL AGUA SI SE ACERCAN DEMASIADO AL DESAGÜE DE LA PISCINA O A UNA CUBIERTA O REJILLA ROTA O SUELTA.

LEA Y CONSERVE ESTAS INSTRUCCIONES PARA FUTURAS CONSULTAS.

⚠ DANGER UTILIZAR CUBIERTAS NO APROBADAS O PERMITIR EL USO DE LA PISCINA CUANDO LAS CUBIERTAS ESTÁN AGRIETADAS O ROTAS PUEDE PROVOCAR ATRAPAMIENTO DEL CUERPO, DE LAS EXTREMIDADES O DEL CABELLO, ASÍ COMO DESTRIPIAMIENTO Y/O MUERTE.

La succión del desagüe de una piscina puede provocar:

Atrapamiento de extremidades. Cuando una extremidad es succionada o introducida en una abertura dando como resultado el atrapamiento mecánico o la tumefacción. Esto puede suceder cuando la cubierta del desagüe no está presente o está rota, suelta, agrietada o mal asegurada.

Atrapamiento del cabello. Cuando el cabello se enreda en la cubierta de un desagüe, atrapando bajo el agua al bañista. Esto puede suceder cuando el caudal de la cubierta es demasiado pequeño para la bomba o bombas.

Atrapamiento del cuerpo. Cuando una parte del cuerpo queda sujeta contra la cubierta del desagüe atrapando bajo el agua al bañista. Esto puede suceder cuando la cubierta del desagüe no está presente o está rota, o si el caudal de la cubierta no es lo suficientemente grande para la bomba o bombas.

Destripamiento. Cuando una persona se coloca sobre el desagüe de una piscina (especialmente una piscina infantil) y la succión afecta directamente a los intestinos, provocando un daño intestinal grave. Esto puede suceder cuando la cubierta del desagüe no está presente o está suelta, agrietada o mal asegurada.

Atrapamiento mecánico. Cuando alguna joya, bañador, adornos del cabello, dedo de la mano o del pie o nudillo queda atrapado en la abertura de un desagüe o de una cubierta del desagüe. Esto puede suceder cuando la cubierta del desagüe no está presente o está suelta, agrietada o mal asegurada.

NOTA: TODOS LOS ELEMENTOS DE FONTANERÍA RELACIONADOS CON LA FUNCIÓN DE SUCCIÓN DEBEN INSTALARSE CONFORME A LAS NORMATIVAS NACIONALES O LOCALES VIGENTES RELATIVAS A PISCINAS, BALNEARIOS Y JACUZZIS.

⚠ WARNING PARA MINIMIZAR EL RIESGO DE LESIONES DEBIDO AL RIESGO DE ATRAPAMIENTO POR SUCCIÓN:

- Las piscinas y spas deben utilizar como mínimo dos desagües por bomba.
- En cada desagüe se debe montar y fijar una cubierta de succión anti-atrapamiento.
- Las cubiertas de succión deben instalarse dejando una distancia mínima de un metro entre ellas, midiendo desde el punto más cercano al punto más cercano.
- Inspeccione con regularidad todas las cubiertas por si tuvieran grietas, daños o desgaste avanzado.
- Si una cubierta se afloja, se agrieta, se daña, se rompe o se pierde, cierre la piscina inmediatamente, desconecte la bomba, coloque un aviso y mantenga la piscina cerrada hasta instalar correctamente otra cubierta homologada y aprobada.
- Sustituya las cubiertas del desagüe siempre que sea necesario. Las cubiertas del desagüe se deterioran con el tiempo debido a la exposición a la luz solar, los productos químicos utilizados en la piscina y el clima.
- Evite acercar el cabello, las extremidades o el cuerpo a una cubierta de succión o al desagüe de la piscina.
- Utilice un sistema de seguridad de liberación de vacío ("SVRS"), un sistema de limitación de la succión o un sistema de desconexión automática de bombas.

⚠ WARNING Se debe instalar un interruptor de parada de emergencia para la bomba del spa o piscina claramente etiquetado y en un lugar cercano y visible. Asegúrese de que los usuarios saben dónde se encuentra y cómo utilizarlo en caso de emergencia.

- El dispositivo no deberá ser utilizado por personas (incluidos niños) con discapacidad física, sensorial o mental, o falta de experiencia y conocimiento a menos que estén siendo supervisados o hayan recibido instrucciones relativas al uso del dispositivo por parte de una persona responsable de su seguridad.
- Los niños no deberán dejarse nunca sin supervisión para garantizar que no juegan con el dispositivo.
- Para la desconexión de la red eléctrica, deberá incluir una separación de contacto en todos los polos del cableado fijo, respetando estrictamente todas las normas de instalación y uso del cableado.
- La bomba debe alimentarse a través de un dispositivo de corriente residual (RCD) con una corriente operativa residual nominal no superior a 30 mA.
- Si el cable de alimentación está dañado, el fabricante, su personal de servicio o personas con cualificación similar deberán sustituirlo para evitar situaciones de peligro.

⚠ DANGER PRESIÓN PELIGROSA: MANTÉNGASE ALEJADO DE LA BOMBA Y DEL FILTRO DURANTE LA PUESTA EN MARCHA. Los sistemas de circulación de piscinas y spas funcionan a gran presión. Cuando se realiza el mantenimiento de una pieza del sistema circulante (es decir, bomba, filtro, válvulas, etc.) puede entrar aire en el sistema y convertirse en aire a alta presión. El aire presurizado puede provocar que la cubierta del alojamiento de la bomba, la tapa del filtro y las válvulas se separen violentamente provocando lesiones personales graves e incluso la muerte. La tapa del depósito del filtro y la cubierta del prefiltro deben asegurarse correctamente para impedir que se separen violentamente. Manténgase alejado de todos los equipos del sistema de distribución al encender o poner en marcha la bomba.



Los controles eléctricos como interruptores de encendido/apagado, temporizadores, sistemas de control, etc. deben instalarse correctamente para permitir la manipulación (puesta en marcha, desconexión o mantenimiento) de cualquier bomba o filtro sin necesidad de que el usuario tenga que situar alguna parte de su cuerpo sobre la tapa del prefiltro o la tapa del filtro de la bomba ni cerca de las mismas. Dicha instalación permitirá al usuario mantenerse alejado del filtro y de la bomba durante la puesta en marcha, la desconexión o el mantenimiento del sistema.

⚠ CAUTION Antes de realizar el mantenimiento de los equipos de piscina o spa, anote la presión del filtro. Compruebe que los controles se encuentren colocados de tal forma que el sistema no pueda ponerse en marcha de forma involuntaria durante el mantenimiento. Desconecte la alimentación de la bomba.

IMPORTANTE: Antes de poner el sistema en marcha, abra completamente la válvula manual de despresurización de aire y coloque todas las válvulas del sistema en la posición "abierta" para que el agua fluya libremente desde la piscina y spa hasta la piscina o spa. Manténgase alejado de todos los equipos de la piscina y ponga en marcha la bomba.

IMPORTANTE: No cierre la válvula manual de despresurización de aire del filtro hasta que no se haya descargado toda la presión de la válvula y aparezca un vapor de agua continuo. Observe el manómetro del filtro y compruebe que la presión no sea superior a la que tenía antes del mantenimiento.

SECCIÓN 1. INFORMACIÓN GENERAL

Compruebe la caja del embalaje por si hubiera evidencia de daños durante el transporte. Si la caja o algún componente de la bomba están dañados, notifíquesele inmediatamente al transportista.

El incumplimiento de las instrucciones de seguridad puede tener efectos negativos graves para la salud o provocar lesiones graves e incluso la muerte. El incumplimiento de las instrucciones de seguridad invalidará todas las garantías y la responsabilidad por parte del fabricante.

SECCIÓN 2. APLICACIÓN

Usar exclusivamente para distribuir agua de piscina.

SECCIÓN 3. CABLEADO Y REQUISITOS ELÉCTRICOS

La instalación eléctrica se realizará de acuerdo con la normativa legal local teniendo en cuenta sus limitaciones. La bomba se suministra con 1,5 m de cable de alimentación.

⚠ WARNING Es necesario un interruptor de circuito de pérdida a tierra (GFCI) con un índice de corriente residual máximo de 30 mA para la fuente de alimentación conectada a la bomba. Adicionalmente, si no dispone de una toma de corriente adecuada, un electricista cualificado deberá instalar una toma de corriente estanca en una ubicación adecuada. La activación del GFCI indica un problema eléctrico. Si el GFCI se activa y no se restablece tendrá que revisarlo un electricista cualificado y reparar el sistema eléctrico.

No utilice cables alargadores dentro o en las inmediaciones de la piscina ya que no son seguros.

Una tensión incorrecta puede provocar incendios y dañar gravemente la bomba, además de anular la garantía.

La tensión de la bomba no debe encontrarse a más del 6 % por encima o del 10 % por debajo de la tensión indicada en la placa identificativa del motor, ya que la bomba podría sobrecalentarse provocando una activación con sobrecarga y reduciendo la vida útil de los componentes.

Instalación del cableado

Nota: Antes de instalar este producto, lea y cumpla todas las instrucciones y notas de aviso.

⚠ WARNING Riesgo de descarga eléctrica o electrocución.

La conexión de la bomba de CA debe realizarla un profesional de servicio respetando todas las normativas legales aplicables y siguiendo las directrices especificadas en este manual. El profesional de servicio/instalador también deberá asegurarse de que el motor de la bomba cuente con la protección suficiente. Todo el cableado necesario de la bomba y la información eléctrica de CA aparece en la placa identificativa del motor de la bomba.

ANTES DE REALIZAR LA CONEXIÓN DE LOS CABLES DE CORRIENTE ALTERNA A LA BOMBA, asegúrese de DESACTIVAR el suministro de CA.

TOMA DE TIERRA DE LA BOMBA: ASEGÚRESE DE QUE EL MOTOR DE LA BOMBA CUENTE CON UNA TOMA DE TIERRA PERMANENTE.

Asegúrese de que todos los interruptores y conectores eléctricos estén desconectados antes de instalar los cables del motor.

Seleccione un tamaño de cable del siguiente gráfico. En caso de duda use un cable de diámetro mayor.

Un cable de mayor diámetro permitirá que el motor funcione más frío y con mayor eficacia. Asegúrese de que todas las conexiones eléctricas estén limpias y sean estancas. Corte los cables con la longitud adecuada para que no se superpongan o toquen cuando estén conectados a la placa de terminales. Conecte la bomba de forma permanente a un circuito independiente. Asegúrese de que no haya otras luces o aparatos conectados al mismo circuito.

TAMAÑOS DE LOS CABLES DE ALIMENTACIÓN (mm ²)				
(Tamaño y longitud por corriente.)				
Kw	HP	15 m (50 ft.)	30 m (100 ft.)	45 m (150 ft.)
0,25	1/3	2.5	2.5	4.0
0,37	1/2	2.5	4.0	6.0
0,55	3/4	4.0	4.0	6.0
0,75	1	4.0	6.0	10.0
1,10	1.5	6.0	6.0	10.0

SECCIÓN 4. INSTALACIÓN DE LA BOMBA

- Instale la bomba a una distancia de más de 1,5 m de las paredes internas de la piscina o spa.
- Utilice un conducto de succión directo y corto con una pendiente continua para evitar tiempos de cebado prolongados.
- La bomba debe colocarse sobre una base plana y sólida, lo suficientemente alta como para impedir la inundación del motor.
- Instale la bomba en un lugar protegido, garantizando la ventilación y un acceso adecuado para el personal de mantenimiento.
- No monte los controles eléctricos directamente sobre la bomba.
- Instale un desagüe en el suelo para evitar daños en el equipo y en la propiedad.
- Utilice tuberías del tamaño adecuado y reduzca al mínimo el número de codos.
- Sujete la tubería de forma independiente cerca del punto de succión y descarga de la bomba para reducir la tensión.
- Es esencial que el conducto de succión esté exento de fugas de aire. El conducto de succión siempre debe ser, como mínimo, del mismo tamaño que la toma de succión de la bomba.

SECCIÓN 5. PUESTA EN MARCHA / FUNCIONAMIENTO

Puesta en marcha de la bomba

- Gire la tapa de la cámara del prefiltro en sentido de las agujas del reloj hasta que se abra.
- Llene de agua la cámara del prefiltro y la voluta hasta el puerto de entrada.
- Vuelva a montar la tapa de la cámara del prefiltro colocando la tapa. Asegúrese de que la junta tórica de la tapa esté colocada correctamente. Coloque la tapa de la cámara del prefiltro y, seguidamente, gírela en sentido de las agujas del reloj hasta que se bloquee el asa. **¡Apriétela sólo con la mano!**
- Abra la válvula manual de evacuación de aire que hay encima del filtro. Si no dispone de una válvula manual de despresurización de aire, afloje el asa de la válvula multipuerto para liberar la presión.
- Manténgase alejado del sistema y del filtro. Active el motor.
- Purgue el aire del filtro hasta que salga un flujo de agua continuo. Cierre la válvula manual de evacuación de aire.
- El tiempo de cebado depende de la altura de succión y de la distancia hasta la piscina. Cinco minutos para el cebado es un tiempo razonable.

La bomba no elevará el agua a más de 1,8 metros. Si la bomba no se ceba, consulte la guía de localización y resolución de problemas.

SECCIÓN 6. MANTENIMIENTO

⚠ WARNING Riesgo de descarga eléctrica o electrocución.



Antes de acometer cualquier tarea de mantenimiento en la bomba, desconecte siempre la bomba de la piscina de la toma de corriente usando el disyuntor. De no hacerlo, podría acabar provocando la muerte o heridas graves al personal de mantenimiento, a los usuarios de la piscina o a otros por descarga eléctrica. Lea todas las instrucciones de mantenimiento antes de intervenir en la bomba.

⚠ WARNING NO abra la tapa de la cámara del prefiltro si la bomba no ceba, o si la bomba ha estado funcionando sin agua en la cámara del prefiltro.



Las bombas que han funcionado en estas condiciones pueden acumular presión de vapor y contener agua muy caliente. Abrir la bomba puede provocar lesiones graves. Para evitar el riesgo de daños personales, compruebe que las válvulas de succión y de despresurización estén abiertas y que la cámara del prefiltro no esté caliente al tacto, después ábralo con extremo cuidado.

El colador del prefiltro de la bomba se encuentra delante del alojamiento de la bomba. Dentro de la cámara está el colador que debe permanecer siempre libre de hojas y residuos. Puede ver el colador a través de la tapa transparente para ver si hay hojas o residuos.

⚠ CAUTION Colador del prefiltro de la bomba

Independientemente del tiempo transcurrido entre las limpiezas del filtro, es muy importante inspeccionar visualmente el colador de la cámara del prefiltro, como mínimo una vez a la semana. Un colador sucio reducirá la eficiencia de la bomba y también forzará el motor de la bomba, lo que podría causar una costosa reparación.

1. Desactive el motor y libere la presión del sistema.
2. Gire la tapa de la cámara del prefiltro en sentido de las agujas del reloj hasta que se abra y, a continuación, retire la tapa de la cámara del prefiltro.
3. Vierta los residuos del colador del prefiltro en la basura y enjuague bien el colador. Si el colador del prefiltro está agrietado deberá sustituirlo.
4. Sustituya el colador del prefiltro. Asegúrese de que el colador del prefiltro esté correctamente fijado a la cámara del prefiltro.
5. Llene de agua la cámara del prefiltro y la voluta hasta el puerto de entrada.
6. Limpie la tapa de la cámara del prefiltro, la junta tórica y la superficie sellante de la cámara del prefiltro. Seguidamente, engrase la junta tórica con lubricante a base de silicona.

7. Vuelva a montar la tapa de la cámara del prefiltro colocando la tapa. Asegúrese de que la junta tórica de la tapa esté colocada correctamente. Coloque la tapa de la cámara del prefiltro y, seguidamente, gírela en sentido de las agujas del reloj hasta que se bloquee el asa. **¡Apriétela sólo con la mano!**
8. Conecte la alimentación del circuito eléctrico de la casa. Restablezca la hora en el reloj de la piscina.

ESTA BOMBA FUNCIONA A ALTA PRESIÓN

⚠ WARNING Cuando se realiza el mantenimiento de una pieza del sistema circulante (es decir, tapa de la cámara del prefiltro, bomba, filtro, válvulas, etc.) puede entrar aire en el sistema y presurizarlo. El aire a presión puede proyectar la tapa de forma violenta, lo que puede causar daños en la propiedad, lesiones graves e incluso la muerte. Para evitar este peligro potencial, siga estas instrucciones.

9. Abra la válvula manual de evacuación de aire que se encuentra encima del filtro. Si no dispone de una válvula manual de despresurización de aire, afloje el asa de la válvula multipuerto para liberar la presión.
10. Manténgase alejado del sistema y el filtro.
11. Arranque la bomba.
12. Purgue el aire del filtro hasta que salga un flujo de agua continuo. Cierre la válvula manual de evacuación de aire.

Acondicionamiento para el invierno

Si la temperatura del aire baja de 2 °C, el agua en la bomba puede congelarse y provocar daños.

La garantía no cubre los daños por congelación.

Para evitar daños por congelación siga los pasos que se citan a continuación:

- a. Corte la alimentación eléctrica de la bomba, desde el disyuntor de la casa.
- b. Vacíe el agua de la bomba retirando los dos tapones de drenaje de rosca manual y las juntas tóricas del alojamiento de la bomba y de la cámara del prefiltro. Guarde los tapones y las juntas tóricas del colador de la bomba.
- c. Cubra el motor para protegerlo de lluvia, nieve y hielo intensos.
- d. No envuelva el motor con plástico. Provocaría condensación y óxido en el interior del motor.

Cuidados del motor eléctrico

Protéjalo del calor.

- a. Proteja el motor de la luz solar directa.
- b. Cualquier recinto cerrado debe estar bien ventilado, para evitar el sobrecalentamiento.
- c. Proporcione una amplia ventilación transversal.

Protéjalo de la humedad y otros elementos.

- a. Protéjalo de cualquier materia extraña o salpicaduras de agua.
- b. No almacene (o vierta) los productos químicos para la piscina cerca del motor.
- c. Si un motor se ha humedecido, espere a que esté seco antes de ponerlo en marcha. No lo ponga en marcha si se ha inundado.
- d. Si un motor ha sido dañado por el agua, se anula la garantía del motor.

SECCIÓN 7. SOLUCIÓN DE PROBLEMAS

Use la siguiente información para solucionar los posibles problemas de su bomba FreeFlo™.

⚠ WARNING Riesgo de descarga eléctrica o electrocución - Desconecte la unidad de la toma de corriente antes de iniciar los labores de servicio o reparación.

PROBLEMA	ACCIONES CORRECTIVAS
La bomba no se ceba - exceso de aire	Compruebe las tuberías de succión y espitas de válvula, en todas las válvulas de succión de compuerta. Ajuste bien la tapa de la cámara del prefiltro de la bomba y asegúrese de que la junta tórica de la tapa esté en su lugar. Asegúrese de que la junta tórica de la unión esté en buen estado y correctamente colocada. Asegúrese de que la junta tórica de la punta del difusor esté en buen estado y correctamente colocada. Compruebe el nivel del agua para asegurarse de que el desespumador no esté tomando aire.
La bomba no ceba - agua insuficiente	Asegúrese de que los conductos de succión, la bomba, el prefiltro y la voluta de la bomba estén llenos de agua. Asegúrese de que la válvula del conducto de succión esté en funcionamiento y abierta (algunas no tienen válvulas). Compruebe el nivel del agua para asegurarse de que pasa agua a través del desespumador.
Colador del prefiltro de la bomba atascado	Limpie el colador del prefiltro de la bomba.
Junta tórica del prefiltro de la bomba defectuosa	Cambie la junta tórica.
DISMINUCIÓN DE CAPACIDAD O CAUDAL	
Bolsas o fugas de aire en el conducto de succión	Compruebe las tuberías de succión y espitas de válvula en todas las válvulas de succión de compuerta.
Propulsor atascado	Limpie los residuos del propulsor.

Encontrará una lista ilustrada de piezas de repuesto en: www.pentairpooleurope.com

EUROPA	AUSTRALIA	SUDAFRICA
Pentair Water Belgium B.V.B.A	Pentair Water Australia	Pentair Water South Africa
Industriepark Wolfstee Toekomstlaan 30	1-21 Monash Drive Dandenong South	24 Vuurslag Street Spartan Ext7
B-2200 HERENTALS	VICTORIA 3175	GAUTENG 1619
BELGIO	AUSTRALIA	SUDAFRICA
www.pentairpooleurope.com	www.pentairwater.com.au	www.kreepykrauly.co.za

Dichiarazione di conformità

Standard utilizzati per dimostrare conformità ai requisiti essenziali della direttiva 2006/42/CE

- EN60335-1

- EN60335-2-41



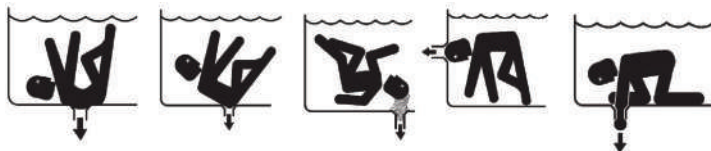
Il produttore, Pentair, ha il diritto di modificare i prodotti senza preavviso, nella misura in cui tali modifiche non alterino le caratteristiche essenziali degli stessi.

© 2013 Pentair, Inc. Tutti i diritti riservati. Il presente documento è soggetto a modifica senza preavviso.

Marchi di fabbrica ed esclusioni di responsabilità: Tutti i marchi e i loghi Pentair sono di proprietà di Pentair, Inc. FreeFlo™ e Cam and Ramp™ sono marchi depositati di Pentair Inc. e/o delle sue affiliate negli Stati Uniti e/o in altri paesi. Salvo esplicita indicazione, i nomi e i marchi di terzi eventualmente contenuti nel presente documento non sono utilizzati per indicare un'affiliazione o supporto fra i proprietari di tali nomi e marchi e Pentair Inc. Tali nomi e marchi possono essere marchi o marchi registrati dei terzi citati.

⚠ DANGER IL MANCATO RISPETTO DELLE ISTRUZIONI E DELLE AVVERTENZE PUÒ CAUSARE GRAVI LESIONI PERSONALI O CONSEGUENZE MORTALI. L'INSTALLAZIONE E LA MANUTENZIONE DELLA POMPA DEVONO ESSERE EFFETTUATE ESCLUSIVAMENTE DA PERSONALE QUALIFICATO. GLI INSTALLATORI, I TECNICI E I PROPRIETARI DEVONO LEGGERE LE PRESENTI AVVERTENZE E TUTTE LE ISTRUZIONI CONTENUTE NEL MANUALE D'USO PRIMA DI UTILIZZARE LA POMPA. LE PRESENTI AVVERTENZE E IL MANUALE D'USO DEVONO ESSERE LASCIATI AL PROPRIETARIO DELLA CASA.

⚠ DANGER RISCHIO DI INTRAPPOLAMENTO CAUSATO DALLA FORZA DI ASPIRAZIONE: ALLONTANARSI DAL COLLETTORE PRINCIPALE E DA TUTTE LE BOCCHETTE DI PRESA!



QUESTA POMPA PRODUCE LIVELLI DI ASPIRAZIONE ELEVATI E GENERA UNA FORTE ASPIRAZIONE IN CORRISPONDENZA DEL COLLETTORE PRINCIPALE SUL FONDO DELLA PISCINA E VASCA IDROMASSAGGIO. L'ASPIRAZIONE E' TALMENTE FORTE DA POTER INTRAPPOLARE ADULTI O BAMBINI SOTT'ACQUA SE SI AVVICINANO ALLO SCARICO DELLA PISCINA O DELLA VASCA IDROMASSAGGIO O AL COPERCHIO O GRATA DELLO SCARICO ALLENTATI O DANNEGGIATI.

LEGGERE E CONSERVARE QUESTE ISTRUZIONI PER FUTURO RIFERIMENTO

⚠ DANGER L'USO DI COPERCHI DELLO SCARICO DI TIPO NON APPROVATO O L'USO DI PISCINE E AMBIENTI ACQUATICI PRIVI DI COPERCHI O CON COPERCHI DANNEGGIATI O ROTTI PUÒ CAUSARE L'INTRAPPOLAMENTO DEGLI ARTI O DEL CORPO, DEI CAPELLI, L'EVISCEAZIONE E/O LA MORTE.

L'aspirazione allo scarico o alle bocchette della piscina o della vasca idromassaggio può provocare:

Intrappolamento degli arti: Quando si verifica l'aspirazione o inserimento di un arto in un'apertura con conseguente incastratura meccanica o edema. Questo pericolo è presente quando il coperchio dello scarico è mancante, rotto, allentato, fessurato o non adeguatamente fissato.

Intrappolamento di capelli: Quando avviene l'intrappolamento o annodamento dei capelli nel coperchio dello scarico, tale da intrappolare il nuotatore sott'acqua. Questo pericolo è presente quando la portata del coperchio è troppo bassa per la pompa o le pompe.

Intrappolamento del corpo: Quando una parte del corpo è bloccata contro il coperchio dello scarico intrappolando il nuotatore sott'acqua. Questo pericolo è presente quando il coperchio dello scarico è mancante, rotto o quando la portata del coperchio non è abbastanza elevata per la pompa o pompe.

Eviscerazione/sventramento: Quando una persona si siede su una bocchetta aperta di una piscina (in particolare di una piscina per bambini) o di una vasca idromassaggio e l'aspirazione viene applicata direttamente a livello del tratto intestinale, provocando gravi lesioni intestinali. Questo pericolo è presente quando il coperchio dello scarico è mancante, allentato, fessurato o non adeguatamente fissato.

Intrappolamento meccanico: Quando gioielli, costumi da bagno, accessori per capelli, dita delle mani, dita dei piedi o le articolazioni delle dita delle mani e dei piedi restano intrappolati in un'apertura di una bocchetta o nel coperchio dello scarico. Questo pericolo è presente quando il coperchio dello scarico è mancante, rotto, lento, fessurato o non adeguatamente fissato.

NOTA: LE BOCCHETTE DI ASPIRAZIONE DEVONO ESSERE INSTALLATE IN CONFORMITA' ALLE LEGGI NAZIONALI E ALLE NORMATIVE LOCALI VIGENTI CHE REGOLANO LE PISCINE, LE VASCHE TERMALI E IDROMASSAGGIO.

⚠ WARNING PER RIDURRE AL MINIMO IL RISCHIO DI LESIONI DOVUTE A PERICOLO DI INTRAPPOLAMENTO CAUSATO DALLA FORZA DI ASPIRAZIONE:

- Piscine e vasche idromassaggio devono utilizzare un minimo di due scarichi per pompa.
- Per ogni scarico deve essere presente un coperchio di aspirazione anti-intrappolamento correttamente installato e fissato.
- I coperchi di aspirazione devono essere installati ad almeno un metro di distanza, misurata dal punto più vicino al punto più vicino.
- Verificare regolarmente tutti i coperchi per escludere eventuali fessurazioni, danni e degrado a causa di intemperie.
- In caso di allentamento, fessurazione, danneggiamento, rottura o mancata installazione di un coperchio, chiudere immediatamente la piscina o la vasca idromassaggio, spegnere la pompa, affiggere un cartello e mantenere la piscina o la vasca idromassaggio chiusa fino a quando non venga correttamente installato e approvato un coperchio certificato.
- Sostituire i coperchi degli scarichi secondo necessità. I coperchi degli scarichi si deteriorano con il tempo a causa dell'esposizione a luce solare, sostanze chimiche della piscina e intemperie.
- Evitare di avvicinare capelli, arti o il corpo a coperture di aspirazione, scarico della piscina o bocchette.
- Utilizzare un sistema di sicurezza con valvola di rilascio del vuoto ("SVRS"), regolatore di aspirazione o sistema di arresto automatico della pompa.

⚠ WARNING Un interruttore di arresto chiaramente demarcato della pompa della piscina e della pompa dei getti dell'idromassaggio deve trovarsi in posizione intuitiva e facilmente accessibile vicino alla piscina o all'idromassaggio. Assicurarsi che gli utenti sappiano dove si trova e come usarlo in caso di emergenza.

- L'uso dell'apparecchiatura non è consentito a persone (inclusi i bambini) con capacità fisiche, sensoriali o mentali ridotte, o esperienza e conoscenze scarse, a meno che non abbiano ricevuto supervisione o formazione in merito all'uso dell'apparecchiatura stessa da parte di una persona responsabile della loro sicurezza.
- È necessario controllare i bambini, affinché non giochino con l'apparecchiatura.
- Deve essere incluso nel cablaggio fisso, in conformità alla normativa in materia, un metodo di disconnessione dalla rete elettrica, con separazione del contatto in tutti i poli.
- La pompa deve essere dotata di un interruttore differenziale avente corrente di dispersione massima nominale di 30 mA.
- Se il cavo di alimentazione è danneggiato, deve essere sostituito dal produttore, da un suo agente di manutenzione o da altra figura analoga qualificata per evitare pericoli.

⚠ DANGER **PRESSIONE PERICOLOSA: TENERSI A DISTANZA DA POMPA E FILTRO DURANTE L'AVVIO** Piscina e impianti di ricircolo della vasca idromassaggio funzionano ad alta pressione. Durante la manutenzione delle componenti dell'impianto di ricircolo (ad es. pompa, filtro, valvole, ecc.), l'aria può introdursi nell'impianto e pressurizzarsi. L'aria pressurizzata può far saltare il coperchio dell'alloggiamento della pompa, il coperchio del filtro e le valvole, causando gravi lesioni personali o conseguenze mortali. Il coperchio del serbatoio filtro e quello del filtro di aspirazione devono essere adeguatamente fissati per impedire che si stacchino violentemente. Tenersi a distanza da tutte le apparecchiature dell'impianto di ricircolo al momento dell'accensione o avvio della pompa.



I controlli elettrici quali interruttori on/off, timer e sistemi di controllo, ecc. devono essere adeguatamente installati per consentire il funzionamento (avvio, arresto o manutenzione) della pompa o filtro senza richiedere all'utente di posizionare una parte del corpo sopra o in prossimità del coperchio di filtro di aspirazione o del filtro della pompa. L'installazione deve consentire all'utente di stare lontano dal filtro e dalla pompa durante l'avvio, arresto o manutenzione dell'impianto.

⚠ CAUTION Prima di provvedere alla manutenzione dell'impianto di piscina e vasca idromassaggio, annotare la pressione del filtro. Assicurarsi di impostare tutti i controlli per impedire l'avvio accidentale dell'impianto durante la manutenzione. Scollegare l'alimentazione della pompa.

IMPORTANTE: Prima di avviare l'impianto, aprire completamente la valvola di sfiato aria manuale e posizionare tutte le valvole dell'impianto nella posizione "aperta" per consentire il ricircolo dell'acqua dalla piscina alla vasca idromassaggio e nuovamente nella piscina o vasca idromassaggio. Tenersi a distanza da tutte le apparecchiature della piscina e della vasca idromassaggio e avviare la pompa.

IMPORTANTE: Non chiudere la valvola di sfiato aria manuale del filtro fino allo sfiato di tutta la pressione dalla valvola e finché non si vede fuoriuscire un flusso d'acqua continuo. Osservare il manometro del filtro e assicurarsi che non sia superiore rispetto allo stato di pre-manutenzione

SEZIONE 1. INFORMAZIONI GENERALI

Controllare l'imballaggio di cartone per escludere qualsiasi segno di danneggiamento dovuto alla brusca movimentazione durante la spedizione. In caso di danneggiamento della scatola di cartone o di componenti della pompa, darne immediatamente notifica al trasportatore.

Il mancato rispetto delle istruzioni di sicurezza può comportare conseguenze gravi per la salute o addirittura infortuni gravi o mortali. Il mancato rispetto delle istruzioni di sicurezza in qualsiasi caso rende nulle le garanzie e responsabilità da parte del produttore.

SEZIONE 2. APPLICAZIONE

Da utilizzare esclusivamente per il ricircolo dell'acqua di piscina.

SEZIONE 3. REQUISITI ELETTRICI E CABLAGGIO

L'installazione elettrica deve essere conforme ai codici di cablaggio locali, prendendo in considerazione i relativi dati elettrici. La pompa è dotata di un cavo di 1,5 metri (5 piedi).

⚠ WARNING È necessario un interruttore automatico differenziale con una corrente nominale residua massima di 30 mA per l'alimentazione della pompa. In aggiunta, qualora non sia disponibile una presa adatta, è necessario che un elettricista installi una presa resistente agli elementi in un punto adatto. Lo scatto dell'interruttore automatico differenziale indica un problema elettrico. Se l'interruttore automatico differenziale scatta e non si riavvia, interpellare un elettricista qualificato affinché ispezioni e ripari l'impianto elettrico.

Evitare di utilizzare prolunghe, dal momento che non sono sicure nei pressi della piscina.

Una tensione errata può causare incendi o danneggiare gravemente la pompa; inoltre, annulla la garanzia.

La tensione alla pompa non deve essere oltre il 6% in più o il 10% in meno di quella nominale riportata sulla targa, pena il possibile surriscaldamento della pompa, con scatto da sovraccarico e riduzione della vita utile dei componenti.

Installazione del cablaggio

Nota: Prima di installare il prodotto, leggere attentamente e rispettare tutte le istruzioni e le avvertenze.

⚠ WARNING Rischio di folgorazione.

Il collegamento CA della pompa deve essere effettuato da un professionista specializzato, come da descrizione del presente manuale, e rispettare tutte le normative locali in vigore in materia. L'installatore specializzato deve inoltre accertarsi che il motore della pompa abbia una protezione sufficiente. Tutti i dati necessari sul cablaggio della pompa e sul collegamento elettrico CA sono riportati sulla targa del motore della pompa.

PRIMA DI COLLEGARE I FILI DI ALIMENTAZIONE CA ALLA POMPA, assicurarsi di aver disattivato l'alimentazione CA.

MESSA A TERRA DELLA POMPA: ASSICURARSI DI EFFETTUARE LA MESSA A TERRA PERMANENTE DEL MOTORE DELLA POMPA.

Assicurarsi che tutti gli interruttori elettrici siano spenti prima di cablare il motore.

Scegliere la dimensione del filo dalla tabella sottostante. In caso di dubbio, utilizzare fili di diametro più grande.

I fili di maggior diametro migliorano il raffreddamento e l'efficienza del motore. Verificare che tutti i collegamenti elettrici siano puliti e impermeabili. Tagliare i fili alla lunghezza giusta per evitare sovrapposizioni o contatti una volta collegati alla basetta. Collegare permanentemente la pompa a un circuito separato. Non collegare luci o altre apparecchiature allo stesso circuito.

DIMENSIONI FILI DI ALIMENTAZIONE (mm ²)				
(Dimensioni e lunghezza per potenza.)				
Kw	HP	15 m (50 ft.)	30 m (100 ft.)	45 m (150 ft.)
0,25	1/3	2.5	2.5	4.0
0,37	1/2	2.5	4.0	6.0
0,55	3/4	4.0	4.0	6.0
0,75	1	4.0	6.0	10.0
1,10	1.5	6.0	6.0	10.0

SEZIONE 4. INSTALLAZIONE DELLA POMPA

- Installare la pompa a una distanza non inferiore a 1,5 m (5 piedi) dalle pareti interne della piscina o vasca idromassaggio.
- Utilizzare un tubo di aspirazione dritto e corto, disponendolo su un'inclinazione costante in modo da evitare tempi di adescamento prolungati.
- La pompa deve essere montata su un basamento piatto e robusto, abbastanza alto per evitare che il motore si trovi immerso nell'acqua.
- Installare la pompa in un luogo protetto e ben ventilato, di facile accessibilità per i lavori di manutenzione.
- Non installare comandi elettrici direttamente sulla pompa.
- Garantire un corretto drenaggio del pavimento, per evitare danni all'apparecchiatura e alle cose.
- Determinare l'esatta misura di tutte le tubazioni e ridurre al minimo il numero di gomiti.
- Sostenere le tubazioni di aspirazione e di mandata della pompa per ridurre al minimo il carico sulla stessa.
- È importante che il tubo di aspirazione non presenti perdite d'aria. Il diametro del tubo di aspirazione deve essere almeno uguale all'apertura della pompa.

SEZIONE 5. AVVIO / UTILIZZO

Avvio della pompa

- Girare il coperchio del portafiltro in senso antiorario finché non si apre.
- Riempire d'acqua il portafiltro e la coclea fino al foro d'entrata.
- Reinstallare il coperchio del portafiltro posizionandolo sopra. Accertarsi che l'O-ring del coperchio sia posizionato correttamente. Posizionare il coperchio del portafiltro e girarlo in senso orario finché la maniglia non si blocca. **Serrare esclusivamente a mano!**
- Aprire la valvola manuale di sfogo dell'aria sopra il filtro. Qualora tale valvola non sia presente, premere la maniglia della valvola multiporta per allentare la pressione.
- Tenersi a distanza dall'impianto e dal filtro. Alimentare il motore.
- Lasciar fuoriuscire l'aria dal filtro fino ad avere un flusso d'acqua regolare. Chiudere la valvola manuale di sfogo dell'aria.
- Il tempo di adescamento dipende dall'altezza di aspirazione e dalla distanza dalla piscina. Un tempo di adescamento di cinque minuti è normale.

La pompa è in grado di superare un dislivello massimo di 1,8 metri (6 piedi). Se la pompa non esegue l'adescamento, consultare il manuale di risoluzione dei problemi.

SEZIONE 6. MANUTENZIONE

WARNING Rischio di folgorazione.



Scollare sempre la pompa dal circuito di alimentazione mediante l'interruttore principale, prima di iniziare qualsiasi intervento di riparazione sulla pompa. Il mancato rispetto di questa avvertenza può causare gravi lesioni o morte per folgorazione a carico di tecnici, utenti della piscina e terzi. Leggere tutte le istruzioni relative alla riparazione prima di intervenire sulla pompa.

WARNING NON aprire il coperchio del portafiltro se la pompa non ha portato a termine l'adescamento o se la pompa è stata in funzione senza acqua nel portafiltro.



In questi casi infatti è possibile che si verifichi un aumento di pressione dovuto al vapore con conseguente presenza di acqua rovente all'interno della pompa. L'apertura della pompa in questo momento potrebbe provocare gravi lesioni personali. Per scongiurare questo rischio, aprire le valvole di aspirazione e di mandata, e attendere che il portafiltro sia freddo, quindi aprire il filtro con estrema cautela.

Il cestello del filtro della pompa si trova di fronte all'alloggiamento della stessa. All'interno della camera si trova un cestello che deve essere tenuto sempre pulito da foglie e detriti. Osservando il cestello dallo spioncino è possibile controllare la presenza di foglie e detriti.

CAUTION Cestello del filtro della pompa

Indipendentemente dall'intervallo di pulizia del filtro, è molto importante controllare il cestello del portafiltro almeno una volta a settimana. Se il cestello è sporco, l'efficienza della pompa si riduce e il motore è sottoposto a uno sforzo anomalo, che potrebbe rendere necessarie costose riparazioni.

1. Spegner il motore e allentare la pressione all'interno dell'impianto.
2. Girare il coperchio del portafiltro in senso antiorario finché non si apre e poi rimuoverlo.
3. Gettare i detriti contenuti nel cestello nella spazzatura e sciacquarlo. Se il cestello del filtro è fessurato, deve essere sostituito.
4. Sostituire il cestello del filtro. Assicurarsi che il cestello del filtro sia correttamente alloggiato nel portafiltro.
5. Riempire d'acqua il portafiltro e la coclea fino al foro d'entrata.
6. Pulire il coperchio, l'O-ring e la superficie di tenuta del portafiltro. Dopodiché, applicare un lubrificante a base di silicone sull'O-ring

7. Reinstallare il coperchio del portafiltro posizionandolo sopra. Accertarsi che l'O-ring del coperchio sia posizionato correttamente. Posizionare il coperchio del portafiltro e girarlo in senso orario finché la maniglia non si blocca. **Serrare esclusivamente a mano!**
8. Attivare l'alimentazione mediante l'interruttore domestico principale. Regolare l'orologio della piscina sull'ora esatta.

QUESTA POMPA FUNZIONA IN PRESENZA DI ALTA PRESSIONE

⚠ WARNING Durante la manutenzione di qualsiasi componente dell'impianto di circolazione (ad es. coperchio del portafiltro, pompa, filtro, valvole, ecc.), l'aria può introdursi nell'impianto e pressurizzarsi. L'aria pressurizzata può far saltare il coperchio, con conseguenti gravi infortuni, decessi o danni alle cose. Per evitare tale rischio potenziale, attenersi alle seguenti istruzioni.

9. Aprire la valvola manuale di sfogo dell'aria sopra il filtro. Qualora tale valvola non sia presente, premere la maniglia della valvola multiporta per allentare la pressione.
10. Tenersi a distanza dall'impianto e dal filtro.
11. Avviare la pompa.
12. Lasciar fuoriuscire l'aria dal filtro fino ad avere un flusso d'acqua regolare. Chiudere la valvola manuale di sfogo dell'aria.

Rimessaggio invernale

Se la temperatura esterna scende al di sotto di 2 °C (35 °F), l'acqua nella pompa può congelare, danneggiando l'apparecchio.

La garanzia non copre i danni provocati dal gelo.

Per evitare danni provocati dal gelo, procedere nel modo seguente:

- a. Scollegare la pompa dal circuito di alimentazione mediante l'interruttore domestico principale.
- b. Eliminare l'acqua all'interno della pompa rimuovendo i due tappi di scarico a serraggio manuale e gli O-ring dall'alloggiamento della pompa e uno di quelli del portafiltro. Conservare tappi e O-ring nel cestello della pompa.
- c. Coprire il motore per proteggerlo da pioggia intensa, neve e ghiaccio.
- d. Non avvolgere il motore nella plastica. Questa azione provocherebbe condensa e ruggine all'interno del motore.

Cura del motore elettrico

Protezione dal calore.

- a. Tenere il motore al riparo dalla luce solare diretta.
- b. Qualsiasi ambiente chiuso deve essere ben ventilato per prevenirne il surriscaldamento.
- c. Garantire una buona ventilazione trasversale.

Proteggere il motore dall'umidità o da altri elementi.

- a. Proteggere da materiali esterni o schizzi d'acqua.
- b. Non conservare (o versare) i prodotti chimici per piscina in prossimità del motore.
- c. Se il motore si è bagnato, lasciarlo asciugare prima di metterlo in funzione. Evitare di mettere in funzione il motore se è stato immerso in acqua.
- d. I danni al motore causati dall'acqua annullano la garanzia del motore.

SEZIONE 7. RICERCA GUASTI

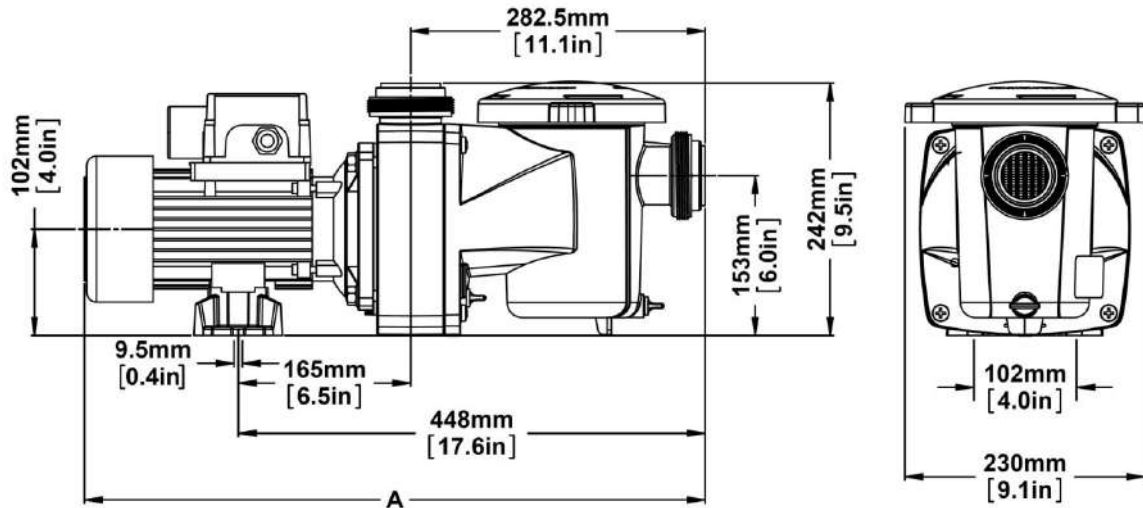
Utilizzare le informazioni contenute nella seguente tabella per individuare e risolvere i problemi di funzionamento della pompa FreeFlo™.

⚠ WARNING Rischio di folgorazione – Staccare l'alimentazione dell'unità prima di effettuare riparazioni o attività di manutenzione.

PROBLEMA	AZIONI CORRETTIVE
La pompa non adessa — troppa aria	Controllare tubi di aspirazione e premistoppa delle valvole di aspirazione a saracinesca. Fissare bene il coperchio sul portafiltro della pompa e verificare che sia presente il relativo O-ring Assicurarsi che l'O-ring sul raccordo sia in buone condizioni e ben posizionato Assicurarsi che l'O-ring sul tubo del diffusore sia in buone condizioni e ben posizionato Controllare il livello dell'acqua per accertarsi che lo skimmer non immetta aria.
La pompa non adessa - acqua insufficiente	Verificare che condotti di aspirazione, filtro di aspirazione e coclea della pompa siano pieni d'acqua Assicurarsi che la valvola sul condotto di aspirazione sia funzionante e aperta (alcuni sono privi di valvola) Controllare il livello dell'acqua per accertarsi che l'acqua sia presente nello skimmer.
Cestello del filtro della pompa intasato	Pulire il cestello del filtro della pompa
O-ring del filtro della pompa difettoso	Sostituire l'O-ring
PORTATA E/O PREVALENZA RIDOTTE	
Sacche d'aria o infiltrazioni nei condotti di aspirazione	Controllare tubi di aspirazione e premistoppa delle valvole su eventuali valvole di aspirazione a saracinesca
Girante ostruita	Rimuovere i detriti dalla girante

L'elenco illustrato delle parti di ricambio è disponibile sul sito: www.pentairpooleurope.com

TECHNICAL DATA



<p>Max Working Pressure Max. Betriebsdruck Max. bedrijfsdruk Pression d'utilisation max. Presión máxima de trabajo Massima pressione operativa</p>	<p>2,6Bar (37PSI)</p>
<p>Water Temp. Range Wassertemp.-bereich Watertemperatuur Bereik Température de l'eau Temperatura del agua Intervalo Temperatura acqua Capacità</p>	<p>5°C-35°C (41°F-95°F)</p>
<p>Max Ambient Temperature Max. Umgebungstemperatur Max. omgevingstemperatuur Température ambiante max. Temperatura ambiente máxima Temperatura ambiente massima</p>	<p>50°C (122°F)</p>
<p>IP Rating IP-Schutzklasse IP-waarde Classe IP Clasificación IP Classificazione IP</p>	<p>IPX5</p>
<p>Electrical Rating Die elektrischen Nenngrößen Elektrische voeding Spécifications électriques Alimentación eléctrica Dati elettrici</p>	<p>220-240V, 50Hz, Single Phase</p>
<p>Motor</p>	<p>Built in auto reset thermal overload protection Eingebauter thermischer Überlastschutz mit automatischer Rückstellung Ingebouwde thermische bescherming tegen overbelasting met automatische reset Intégré dans la protection de surcharge thermique à RAZ automatique Protección de sobrecarga térmica con restablecimiento automático integrado Protezione da sovraccarico termico con ripristino automatico integrata</p>
	<p>1,5m. (5feet) flexible power supply cord 1,5 m (5 ft.) flexiblen Anschlusskabel 1,5 m (5 voet) soepele voedingskabel 1,5 m (5 pieds) Cordon d'alimentation secteur flexible Cable de alimentación flexible de 1,5 m. 1,5 m. (5 piedi) cavo di alimentazione flessibile</p>

SAVE THESE INSTRUCTIONS !



PENTAIR AQUATIC SYSTEMS

INDUSTRIEPARK WOLFSTEE, TOEKOMSTLAAN 30, 2200 HERENTALS - BELGIUM, WWW.PENTAIRPOOLEUROPE.COM

Copyright – Limited License: except as specifically permitted herein, no portion of the content on this document may be reproduced in any form or by any mean without the prior written permission of Pentair International SRL.

Copyright – Eingeschränkte Lizenz: soweit hierin nicht ausdrücklich zugelassen, dürfen die Inhalte dieses Dokuments ohne vorausgehende schriftliche Genehmigung der Pentair International SRL weder ganz noch auszugsweise und in gleich welcher Form und mit welchen Mitteln vervielfältigt werden.

Copyright – Beperkte licentie: behalve zoals hierin specifiek toegestaan, mag geen enkel deel van de inhoud van dit document op om het even welke manier of hoe dan ook gereproduceerd worden zonder de voorafgaande schriftelijke toestemming van Pentair International SRL.

Copyright – Licence limitée: sauf expressément autorisé ci-après, aucune partie du contenu de ce document ne peut être reproduite sous toute forme ou par tout moyen sans la permission écrite préalable de Pentair International SRL.

Copyright – Licencia limitada: salvo en lo expresamente permitido en el presente documento, se prohíbe la reproducción total o parcial del mismo por cualquier medio sin la previa autorización por escrito de Pentair International SRL.

Copyright – Licenza limitata: se non indicato specificatamente di seguito, nessuna porzione del contenuto di questo documento può essere riprodotta in qualsiasi forma o con qualsiasi mezzo senza preventiva autorizzazione scritta di Pentair International SRL.