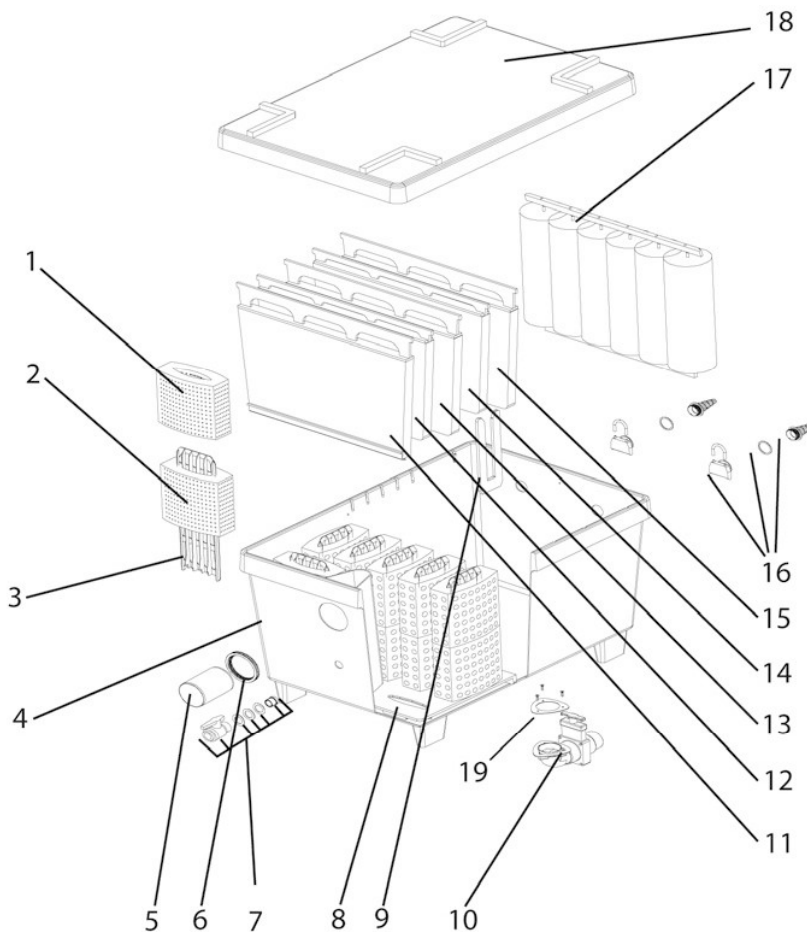


**Item no.**      **Product**  
55421            BioTec 30



Pos.	Item no. Product	Product	Item no. Spare part	Spare part	Number
1	55421	BioTec 30 [INT]	54031	Replacement foam blue BioTec 5 / 10 / 30	10
2	55421	BioTec 30 [INT]	54030	Replacement foam red BioTec 5 / 10 / 30	4
3	55421	BioTec 30 [INT]	34081	Foam holder BioTec 30	7
4	55421	BioTec 30 [INT]	24305	Filter box BioTec 30	1
5	55421	BioTec 30 [INT]	23852	Drainage pipe DN 100 BioTec 30	1
6	55421	BioTec 30 [INT]	34285	Gasket 100 BioTec 30 / 36	1
7	55421	BioTec 30 [INT]	10297	ASM BioTec-valve, drain 1"	1
8	55421	BioTec 30 [INT]	23863	Intermediate base BioTec 30	1
9	55421	BioTec 30 [INT]	24406	Distance piece BioTec 30	1
10	55421	BioTec 30 [INT]	24972	Drain outlet BioTec 30	1
11	55421	BioTec 30 [INT]	25097	Filter mat with sealing BioTec 30	1
12	55421	BioTec 30 [INT]	24312	Filter mat high BioTec 30 green	1
13	55421	BioTec 30 [INT]	24311	Filter mat low BioTec 30 green	1
14	55421	BioTec 30 [INT]	24315	Filter mat high BioTec 30 black	1
15	55421	BioTec 30 [INT]	24314	Filter mat low BioTec 30 black	1
16	55421	BioTec 30 [INT]	23862	Additional pack inlet set BioTec 30	1
17	55421	BioTec 30 [INT]	23854	Frame with 6 brushes BioTec 30	1
18	55421	BioTec 30 [INT]	23855	Cover BioTec 30	1
19	55421	BioTec 30 [INT]	34284	Additional pack bottom drain BioTec 30	1