



**WHIRLPOOL  
BATHTUB HEATER  
OPERATING INSTRUCTIONS**

**IMPORTANT NOTICE PLEASE READ  
THIS INSTRUCTION BEFORE  
INSTALLING AND USING THIS  
ELECTRICAL EQUIPMENT.**



Do not dispose of electrical appliances as unsorted municipal waste, use separate collection facilities. Contact your local government for information regarding the collection systems available. If electrical appliances are disposed of in landfills or dumps, hazardous substances can leak into the groundwater and get into the food chain, damaging your health and well-being.

**1.General**

- This kind of HEATER is especially to be used in Whirlpool Bathtub. The heater will begin to work when the tub is filled in the water and keep the water within a certain temperature as regulated.
- It is very convenience and simple to install and use the heater, but the basic safety precautions should always be followed.

**2.Installation**

- The bathtub heater should be connected with pipeline of bathtub circle system, also can be connected with inlet or outlet of bathtub pump, making sure the flow direction of water comply with the indication on bathtub heater.
- 2.1 The heater must be installed horizontally. Dimensions and position of the heater for supporting and fixing refer to Fig.1.
- 2.2 The heater can be installed with inlet or outlet of bathtub pump (Fig.2). (Note:It can't be fixed by binding..)
- 2.3 PVC pipe : (Fig.3)  
Cutting a specific length of the PVC pipe from the pump outlet and connect to the nozzle. Note:The pipe connector size should be consistent with the bathtub pipe.
- 2.4 Pipe connector:(Fig.4)  
Clean the PVC pipe kerf, then use gumwater to joint the PVC tube the connector together. Pay attention to the installation distance between the heater and the pump.
- 2.5 Heater installation:(Fig.5)  
Separate the connection nut, and joint the PVC pipe to the heater (pay attention to the "O" sealing ring). Make sure the connections are tightly enough. (Note: The connection nut is

- made by plastic material, overexertion would cause damage.)
- 2.6 The ration Label must be visible after installation.
- 2.7 Parts containing live parts, except parts supplied with safety extra low voltage <12V, must be inaccessible to a person in the bath.
- 2.8 Class I appliances must be permanently connected to fixed wiring. Part including electrical components except remote control devices must be located or fixed so that they cannot enter bath.

**3. Electrical connection**

- 3.1 The electrical installation should have an all-poles disconnection system with contacts opening at least 3mm.
- 3.2 For continued protection against possible electric shock this unit is to be mounted to the base in accordance with the installation instructions.
- 3.3 The protection of the system should be based on a residual current device (RCD) with a rated tripping current not exceeding 30mA. The supply cable should comply with EMC standards.
- 3.4 The electric connection must be carried out by qualified staff following strictly the "N60335-2-60" standards.
- 3.5 Be sure that the earth cable connection is correctly made.
- 3.6 Wires serving as equipotential bonding conductors shall have a cross sectional area between 2.5mm<sup>2</sup> and 6mm<sup>2</sup> and shall be equipped with the terminal suitable receptacle.
- 3.7 After finish the electrical connection, turn on the power, press the reset bottom of the GFCI, the GFCI works and cut the power, then press the reset bottom, the GFCI connect to the power. If the above operations failed, check the GFCI connections, cut the power supply till problem solved and the "reset" appears correct that could use the bathtub.
- 3.8 If the supply cord is damaged, it must be replaced by the manufacturer, its service agent or similar qualified persons in order to avoid a hazard.
- 3.9 **CAUTION:** In order to avoid a hazard due to inadvertent resetting of the thermal cutout, this appliance must not be supplied through an external switching device, such as a timer, or connected to a circuit that is regularly switched on and off by the utility.

WARNING



1. **DANGER: RISK OF ELECTRIC SHOCK,** Connect only to a circuit protected by a Ground Fault Circuit Interrupter(GFCI).
2. Grounding is required. The unit should be installed by a qualified service representative.
3. This product should be installed by a professional service technician, who is qualified in hydrotherapy bath installation.
4. It's prohibited to cover the instrument while operating.
5. When using at the first time, be sure there is water in heater pipe before starting.
6. This appliance can be used by children aged from 3 years and above and persons with reduced physical, sensory or mental capabilities or lack of experience and knowledge if they have been given supervision or instruction concerning use of the appliance in a safe way and understand the hazards involved.
7. Children shall not play with the appliance
8. Cleaning and user maintenance shall not be made by children without supervision
9. If a spray head is used, it must be descaled regularly.
10. Do not switch on if there is a possibility that water in the heater is frozen.
11. The outlet must not be connected to any tap or fitting other than those specified.
12. The appliance must be permanently connected to fixed wiring.
13. Type y attachment damaged supply cords to be replaced by the manufacturer, service agent or similarly qualified person to avoid hazard.
14. FOR INDOOR USE ONLY.
15. SAVE THESE INSTRUCTIONS.

#### 4. Controls and Operations

- 4.1 The Minimum working pressure 0.035MPa.
- 4.2 After finish the electrical connection, turn on the power, press the TEST bottom of the GFCI, the GFCI works and cut the power, then press the reset bottom, the GFCI connect to the power. If the above operations failed, check the GFCI connections, cut the power supply till problem solved and the “EST” appears correct that could use the bathtub.
- 4.3 If temperature exceed 60°C, reset button will flick out and cut off the power, the thermostat only return to work after trouble-shooting and unscrew the manual reset button cover and push the reset button to its original position.

#### 5. CONTROLS PRIOR TO INITIAL START-UP !

- 5.1 Check that the mains voltage and frequency are according to the name plate.
- 5.2 After installing bathtub heater is finished, it is necessary to check if water leakage happens from pipeline or connection: Fill water into bathtub, and have the pump operation for 30 minutes, making sure water leakage should not happen from circling water system.
- 5.3 If the heater does not start up, try to locate the problem in the table of most common faults and their possible solutions that is provided further on.

#### 6. START-UP

- 6.1 Start electrically the pump and heater only when the suction and discharge pipes are connected to the corresponding inlets and outlets.
- 6.2 Apply voltage to the motor and suitably adjust the jets to obtain the desired flow.

#### 7. MAINTENANCE AND CLEAN !

- 7.1 Our heater for hydromassage facilities do not require any special maintenance or programming. If the bathtub will be idle for a long period of time, it is recommended to disassemble, clean and store

it in a dry, well ventilated place. If the supply cord is damaged, it must be replaced by the manufacturer or its service agent or a similarly qualified person to a hazard.

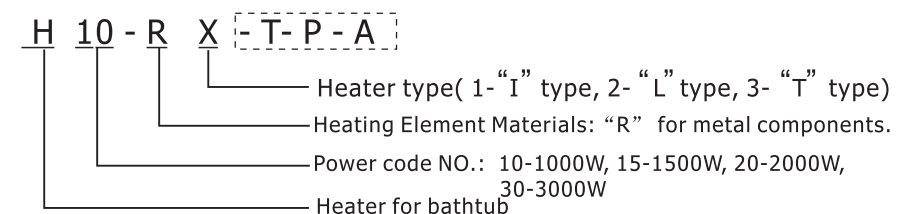
- 7.2 Under current installation, the water in the pipe will be drained automatically.
- 7.3 Filling with the water up to the position of the bathtub’s nozzle, then operation 2-3 minutes, at last exhausting the water from bathtub.

#### 8. Technical Data

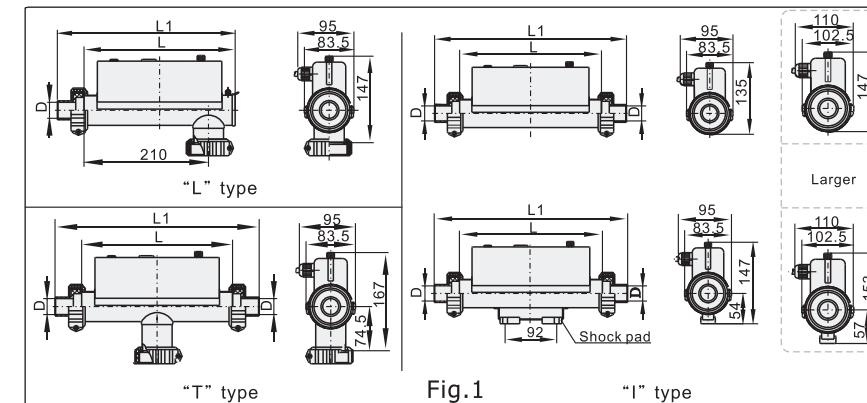
##### 8.1 Technical Parameter:

| Model                      | Power (W) | Current (A) | Calibre | Nozzle | Remarks                      |
|----------------------------|-----------|-------------|---------|--------|------------------------------|
|                            |           | 220-240V    |         |        |                              |
| H10-RX<br>H10-RX<br>H10-RX | 1000      | 4.5         | 1.5 "   | 4-6    | Standard Single tub          |
| H15-RX<br>H15-RX<br>H15-RX | 1500      | 6.8         |         | 4-8    | Single big tub               |
| H20-RX<br>H20-RX<br>H20-RX | 2000      | 9.0         |         | 4-12   | Standard double tub          |
| H30-RX<br>H30-RX<br>H30-RX | 3000      | 13.6        | 2.0 "   | 4-18   | Three people of standard urn |
| H30-RX                     | 3000      | 13.6        |         | 4-18   | Spa                          |
| H40-RX                     | 4000      | 17.0        |         | 10-20  | Spa                          |
| H50-RX                     | 5000      | 21.7        |         | 20-30  | Spa                          |

##### 8.2 Technical Parameter:



#### 9. Heater Dimension



| Model  | L   | Connector Size(D) |       |         |         |                             |         | Model | L   | Connector Size(D) |       |         |         |       |         |
|--------|-----|-------------------|-------|---------|---------|-----------------------------|---------|-------|-----|-------------------|-------|---------|---------|-------|---------|
|        |     | 27 L1             | 32 L1 | 33.5 L1 | 48.5 L1 | 50 L1                       | 60.5 L1 |       |     | 27 L1             | 32 L1 | 33.5 L1 | 48.5 L1 | 50 L1 | 60.5 L1 |
| H10-R1 | 255 | 320               | 320   | 320     | 310     | 310                         | 255     | 320   | 320 | 320               | 310   | 310     | -       |       |         |
| H10-R3 |     | 270               | 270   | 270     | 265     | 265                         |         |       | 270 | 270               | 270   | 265     |         | 265   |         |
| H10-R2 |     | 320               | 320   | 320     | 310     | 310                         |         |       | 320 | 320               | 320   | 310     |         | 310   |         |
| H15-R1 |     | 270               | 270   | 270     | 265     | 265                         |         |       | 270 | 270               | 270   | 265     |         | 265   |         |
| H15-R3 |     | 320               | 320   | 320     | 310     | 310                         |         |       | 320 | 320               | 320   | 310     |         | 310   |         |
| H15-R2 |     | 270               | 270   | 270     | 265     | 265                         |         |       | 270 | 270               | 270   | 265     |         | 265   |         |
| H20-R1 | 320 | 320               | 320   | 310     | 310     | H20/30/40-R1 larger, H50-R1 | 330     | -     | -   | -                 | -     | 440     | 440     |       |         |

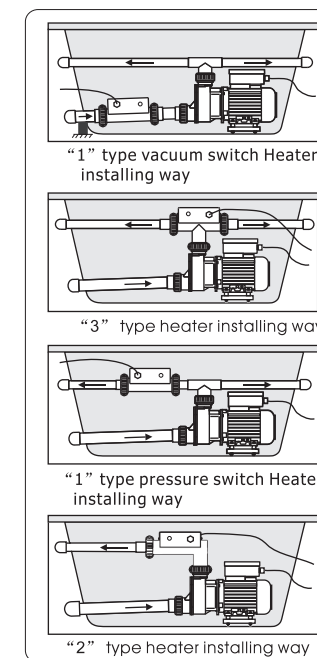


Fig.2

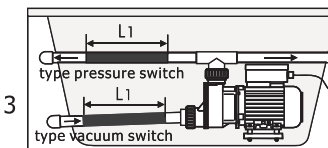


Fig.3

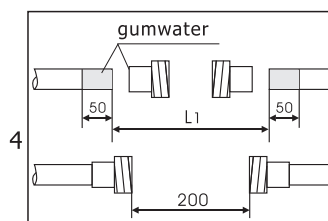


Fig.4

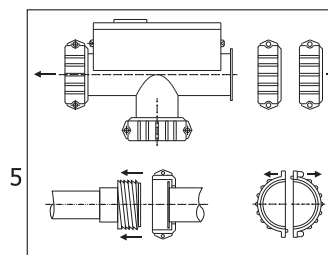


Fig.5