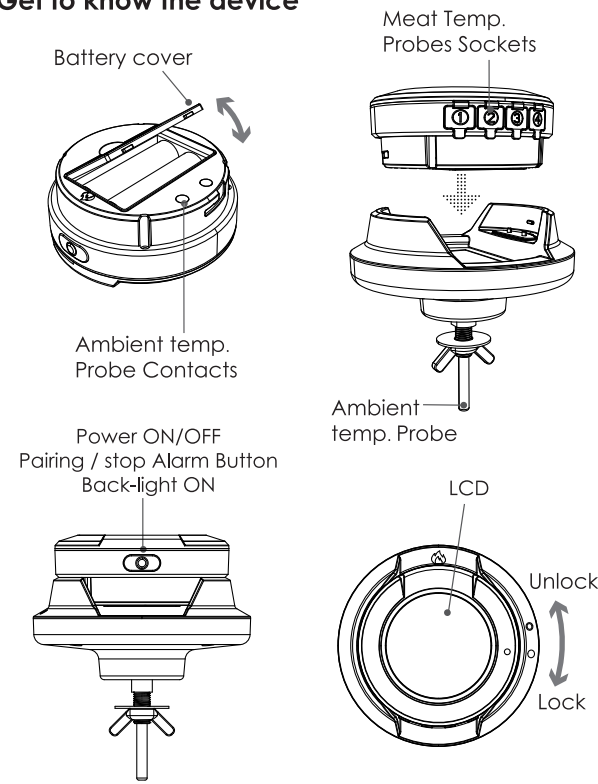


- 4 Meat Channels
- 1 Ambient Channel

iPhone & Android phone Supported
Search 'ToGrill' in App Store or Google play

Get to know the device



The device provides 4 sockets for probes, which enable you monitor 4 items at once.
Wireless frequency range : 2400MHz-2483.5MHz
Average current : 3V/1.2mA
Max wireless transmission power : 2.5 dbm

Put in the Battery

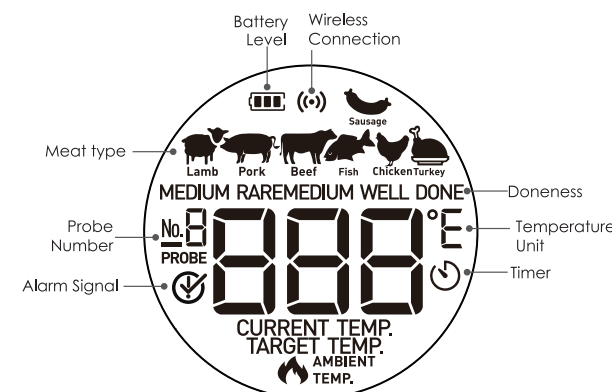
2 AA size batteries are needed for this device. Make sure they are put in the right direction by following the icons on the unit.

- 1 Slide the battery cover to open.
- 2 Put in batteries, noticing the icons which show directions.
- 3 Slide back the battery cover.

Install the probes

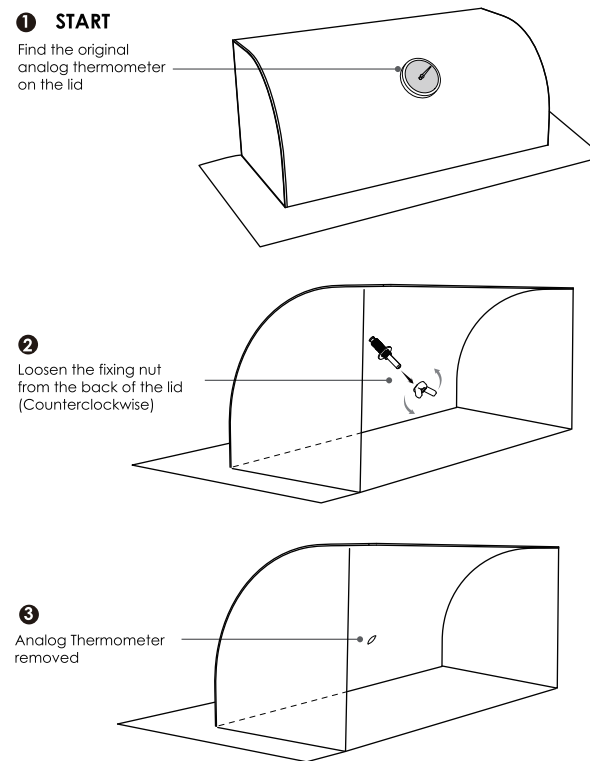
The device will keep scanning the sockets when its power is switched on, the Probe icons on LCD will display one by one from 1 to 4 where probes are plugged in. Then insert the probes into the food, make sure the front tip of the probe is in the center of the food to get accurate temperature.

Screen introduction

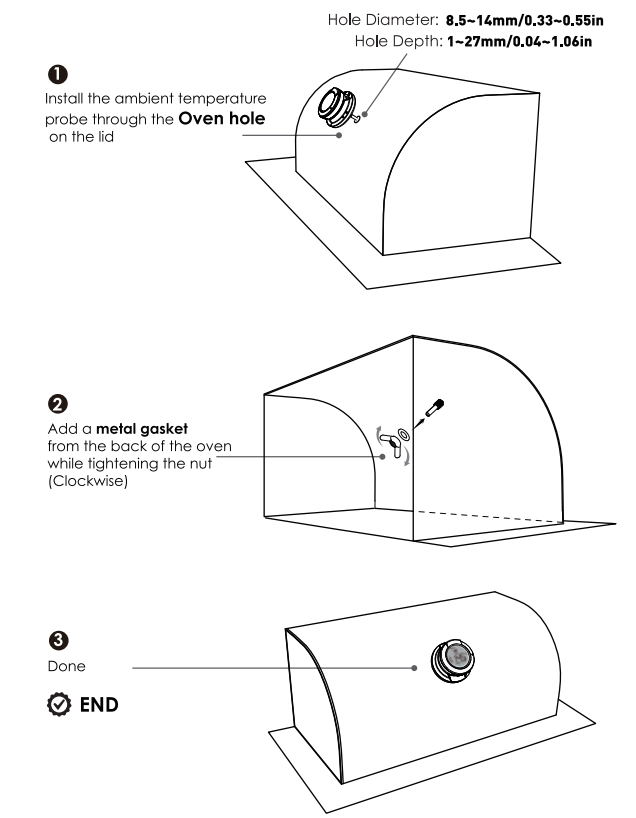


How to install

STEP 1: Remove The Original Analog thermometer



STEP 2: Install the New Smart Wireless thermometer on the lid



Download the APP

Search the keyword 'ToGrill' in Appstore or Google Play, or scan the following QR code with your phone. Download and install it for free.

Make sure your phone meets the requirements:
iOS devices running version 11.0 or later

Android devices running version 5.0 or later

with blue-tooth 4.0 module.



APP DOWNLOAD

Power ON/OFF

- Press and hold the button for more than 3 seconds when it is in OFF mode, it will be powered on. And the LCD display will show 'ON'.
- If you do the same when it is in ON mode, it will be powered off.
- When there is no probe inserted in the device, it will be powered off automatically.

Activate device and pair with your phone

- 1 Switch on your device and keep the blue-tooth switch of your phone on.

- 2 **Activate device:**
 - Launch the 'ToGrill' app.
 - Enable mobile phone permissions.
 - Follow the instructions in the app to activate the device.

Use ToGrill APP to Scan
Scan the QR Code on the device or right



DEVICE ACTIVATION

- 3 **Pairing:** i: Choose the product you have on app
ii: Press the Pairing/Stop Alarm Button (on the top of the device)

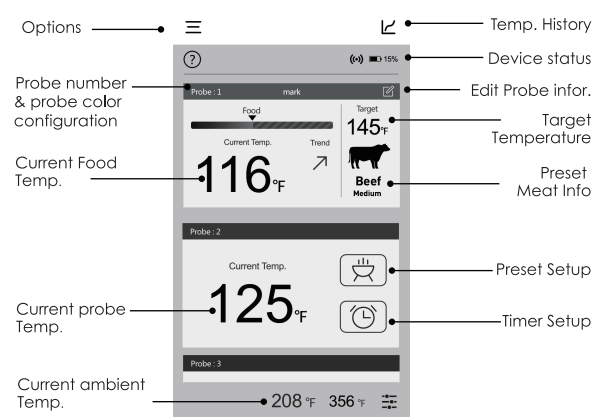
- 4 Connected successfully.

Once device is paired with your phone, you don't need to do it again, unless you change to other phones.

Enjoy your barbecue time

Choose food type and preference for the food where each probe is inserted, the app and the device will display its current and target temperature.

When the food is ready, the app and the device will alarm you.



The user interface of the app may be changed when upgraded. Please follow the instructions in the app.

Probe color configuration

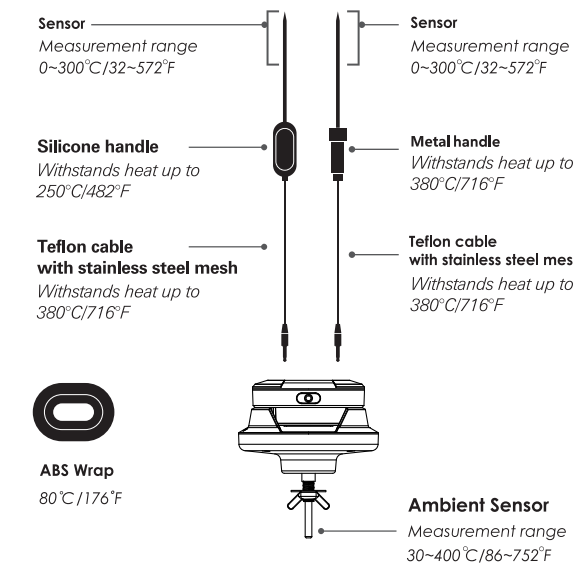
It's difficult for you to distinguish different probes when you have several probes in using at the same time.

The app provides 6 colors for each channel, which enables users set them to be identical to the color of the probes. The probes come in 6 colors as well.



WARNING

The heat resistance varies in different components of the probe. DO NOT put the probes directly in fire flame. DO NOT put the wrap into oven, or it will melt! And probes are NOT dishwasher safe.



Attention: Temp Probes above for reference only, subject to the actual probes.

App Store is a service mark of Apple Inc.
Google Play is a service mark of Google Inc.



FCC Caution.

This device complies with part 15 of the FCC Rules. Operation is subject to the following two conditions: (1) This device may not cause harmful interference, and (2) this device must accept any interference received, including interference that may cause undesired operation.

15.21 Information to user.

Any Changes or modifications not expressly approved by the party responsible for compliance could void the user's authority to operate the equipment.

15.105 Information to the user.

Note: This equipment has been tested and found to comply with the limits for a Class B digital device, pursuant to part 15 of the FCC Rules. These limits are designed to provide reasonable protection against harmful interference in a residential installation. This equipment generates uses and can radiate radio frequency energy and, if not installed and used in accordance with the instructions, may cause harmful interference to radio communications. However, there is no guarantee that interference will not occur in a particular installation. If this equipment does cause harmful interference to radio or television reception, which can be determined by turning the equipment off and on, the user is encouraged to try to correct the interference by one or more of the following measures:

- Reorient or relocate the receiving antenna.
- Increase the separation between the equipment and receiver.
- Connect the equipment into an outlet on a circuit different from that to which the receiver is connected.
- Consult the dealer or an experienced radio/TV technician for help.

This equipment complies with FCC radiation exposure limits set forth for an uncontrolled environment. This equipment should be installed and operated with minimum distance 20cm between the radiator & your body.