



Soccer Goal

EXIT Scala 300x200



 **WARNING**
CHOKING HAZARD
small parts
Adult assembly required
retain for future reference



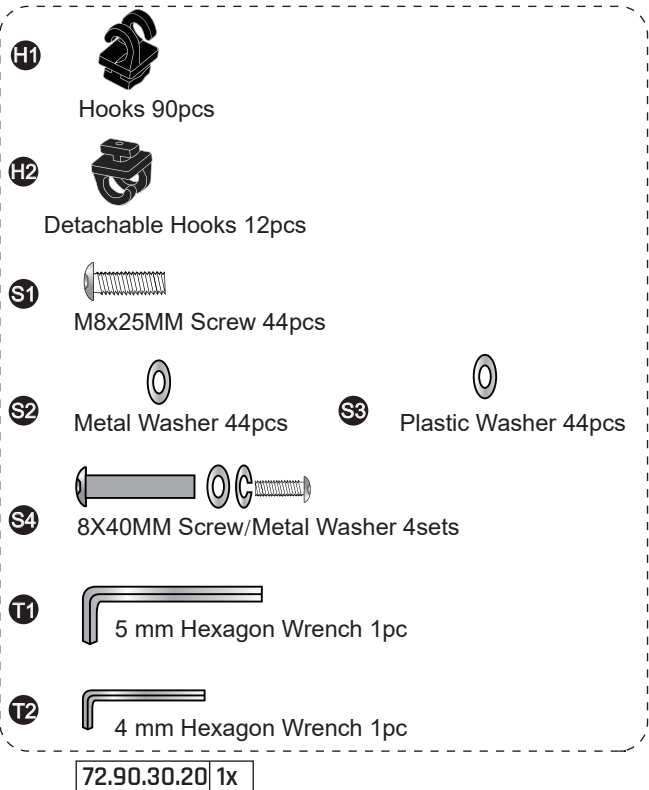
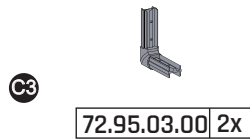
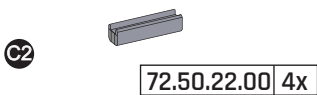
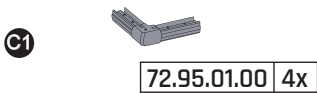
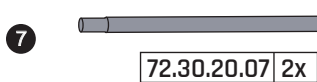
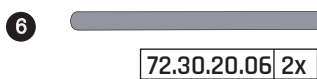
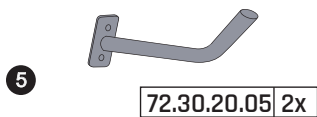
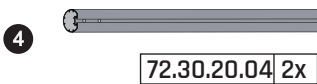
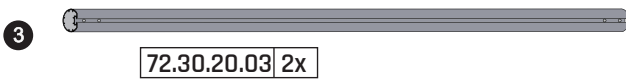
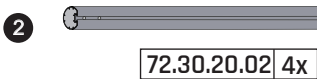
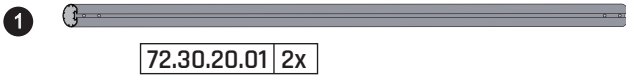


EXIT Scala 300x200

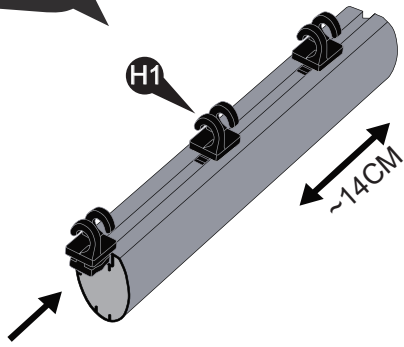





Soccer Goal

EXIT Scala 300x200

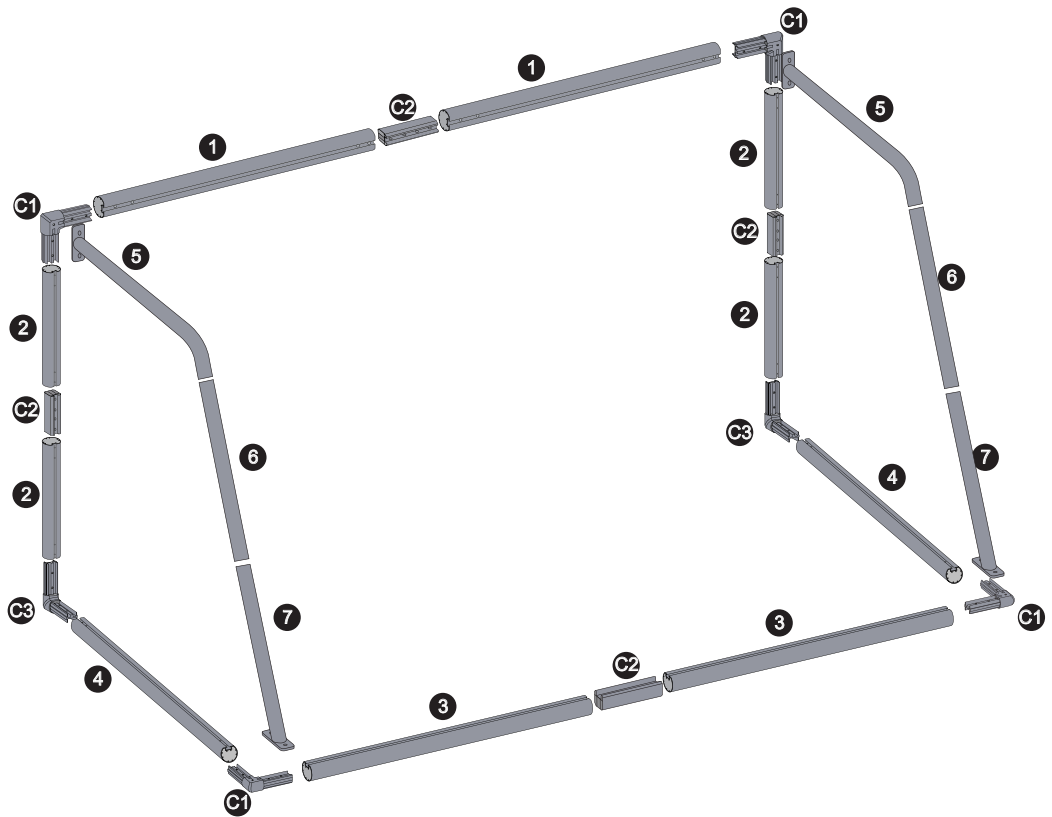


1



- 1  11 x  H1
- 2  7 x  H1
- 3  11 x  H1
- 4  9 x  H1

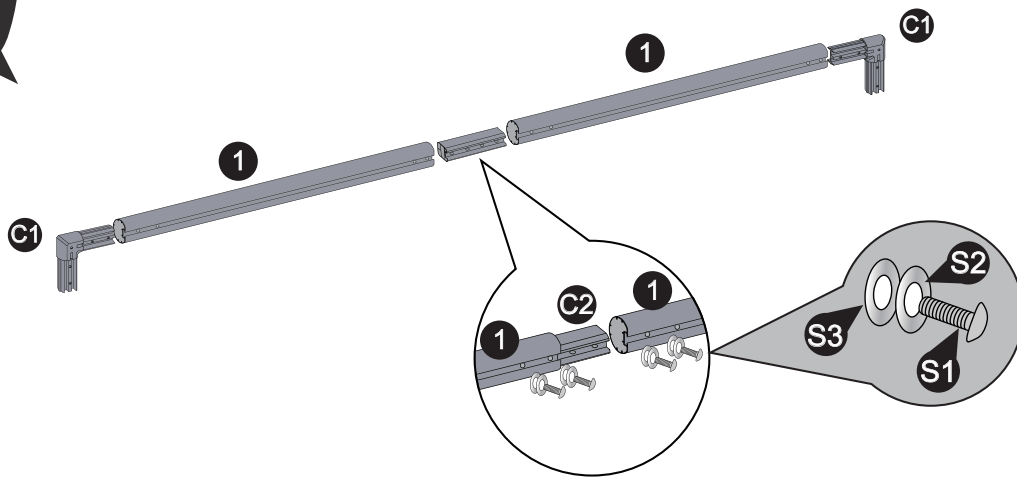
2



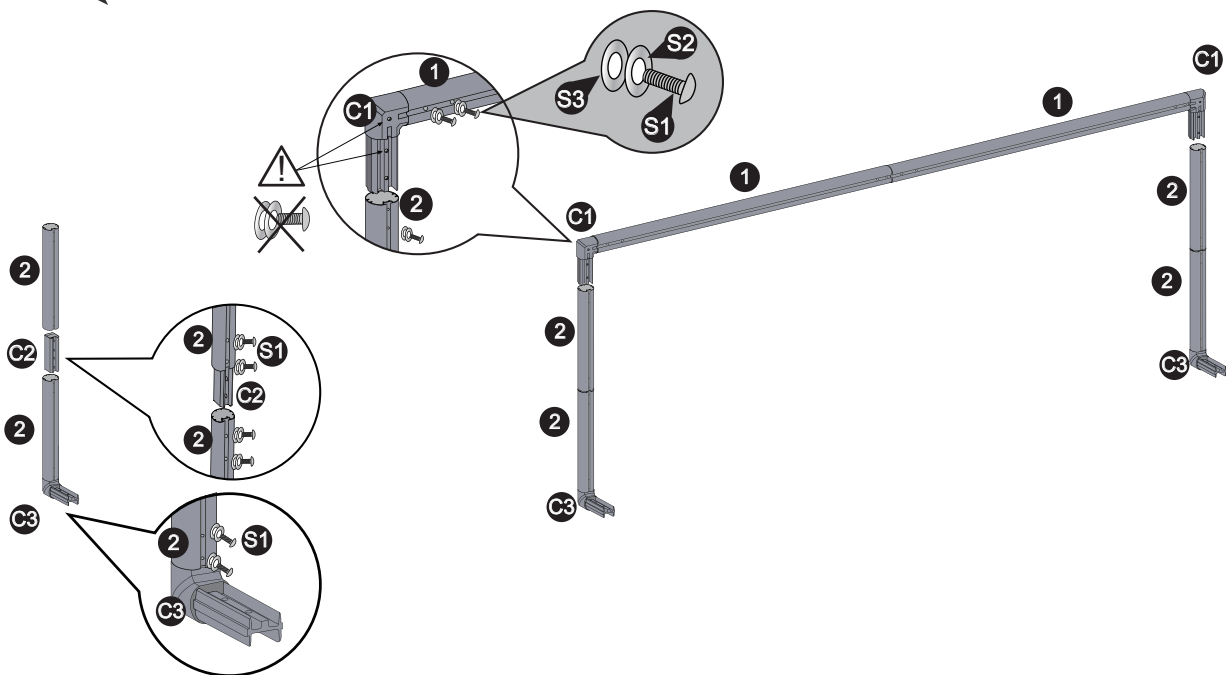
Soccer Goal

EXIT Scala 300x200

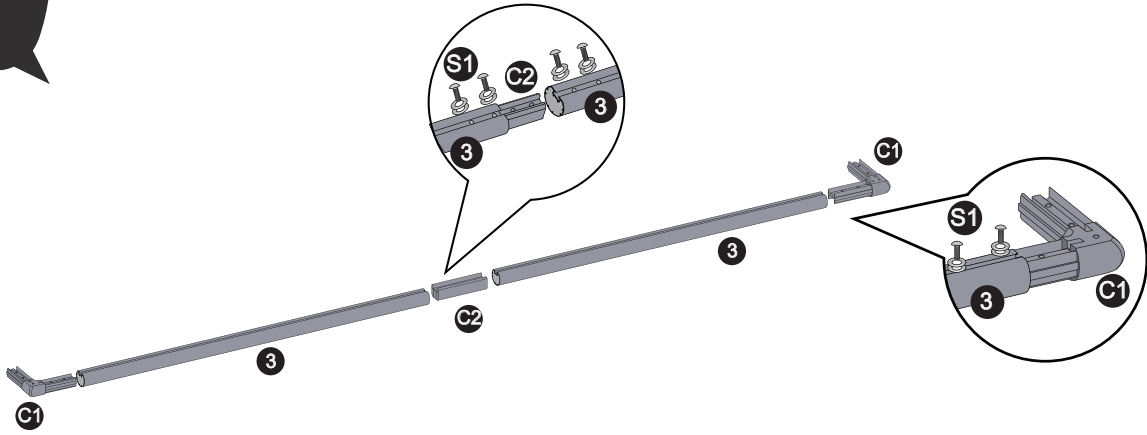
3



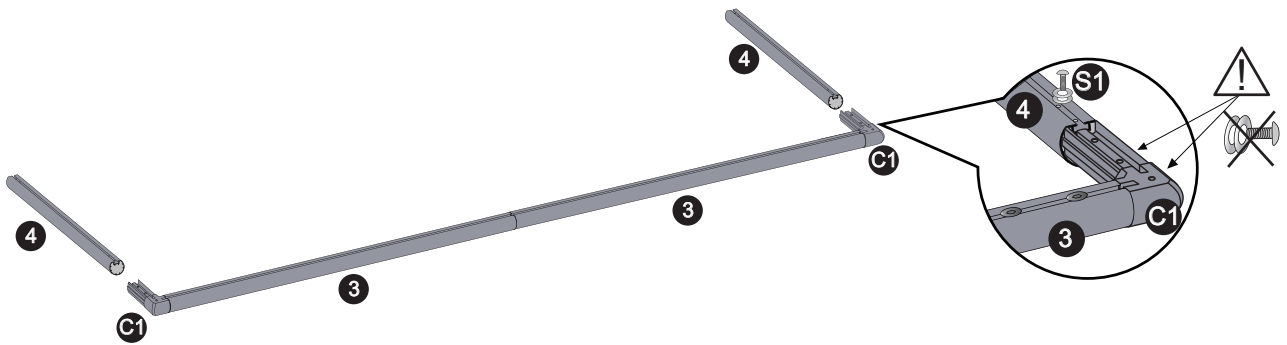
4



5

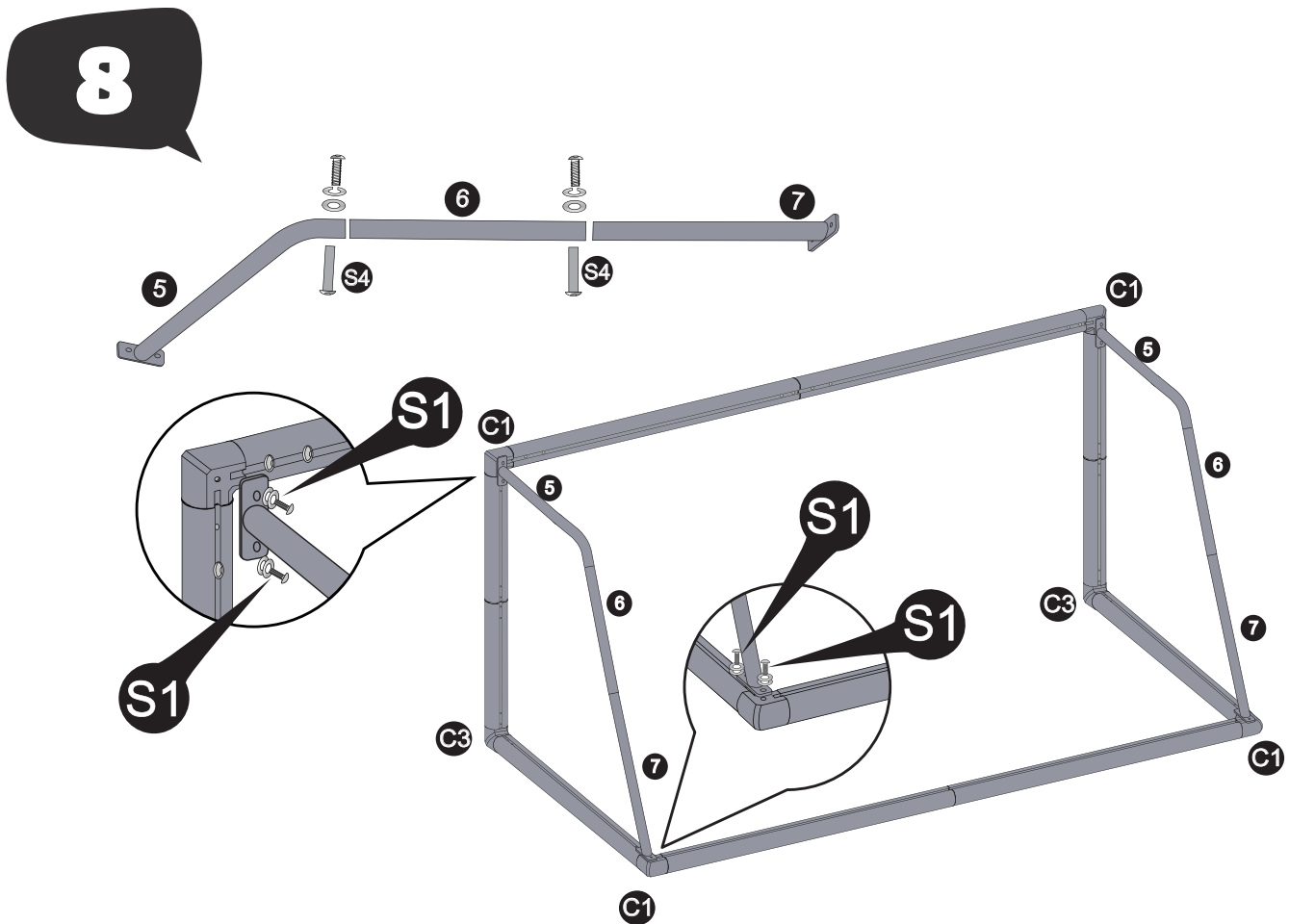
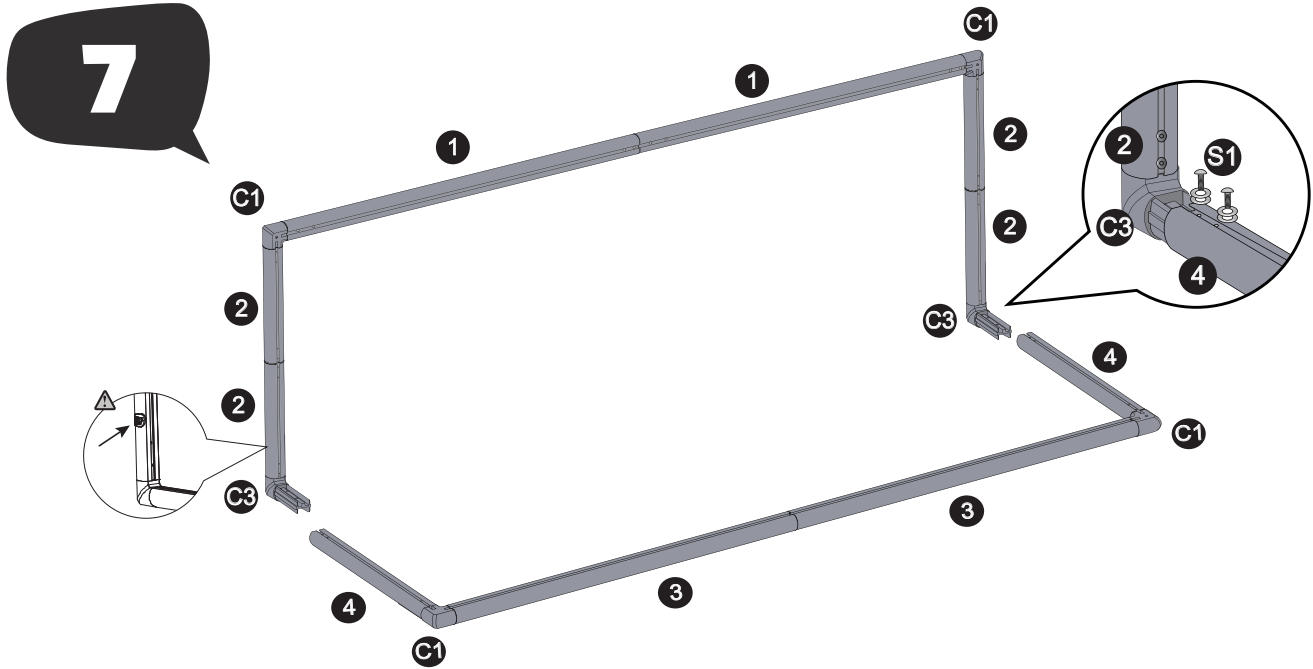


6

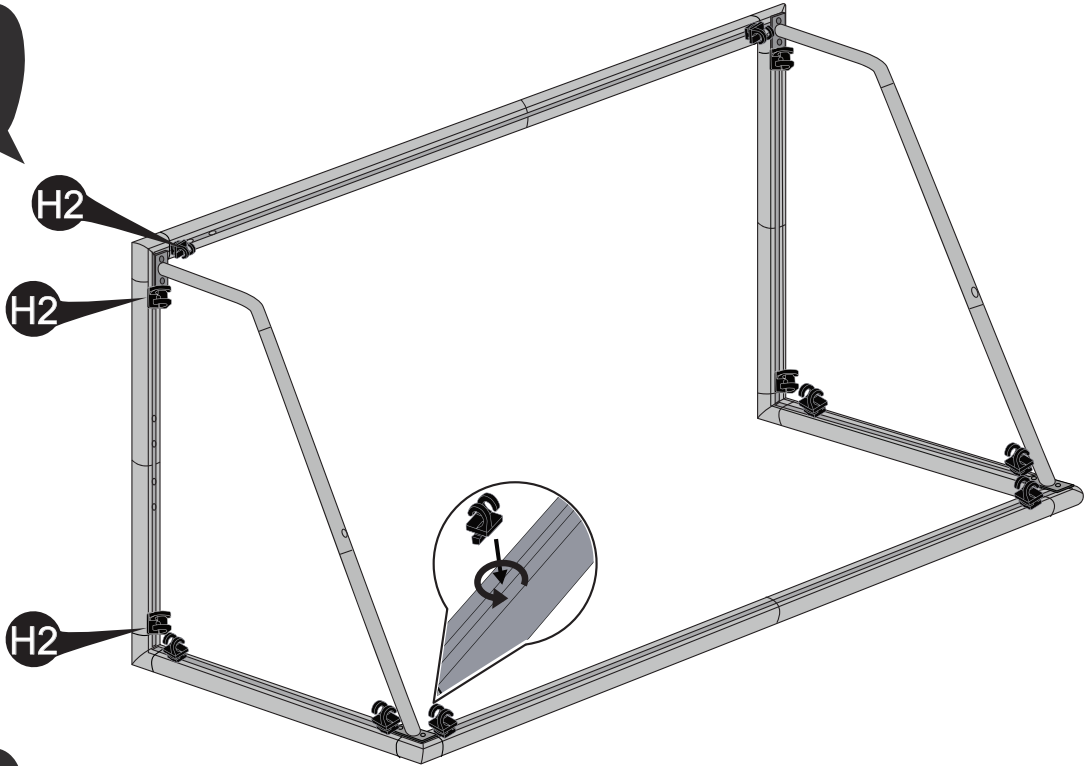


Soccer Goal

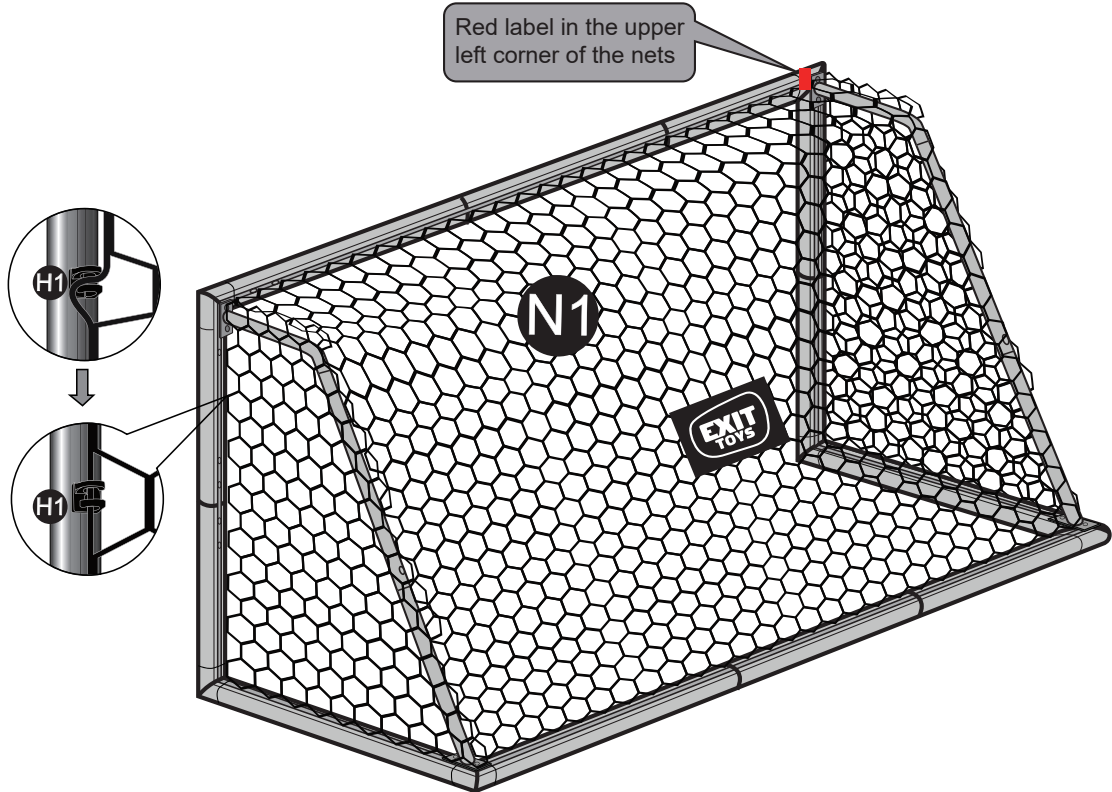
EXIT Scala 300x200



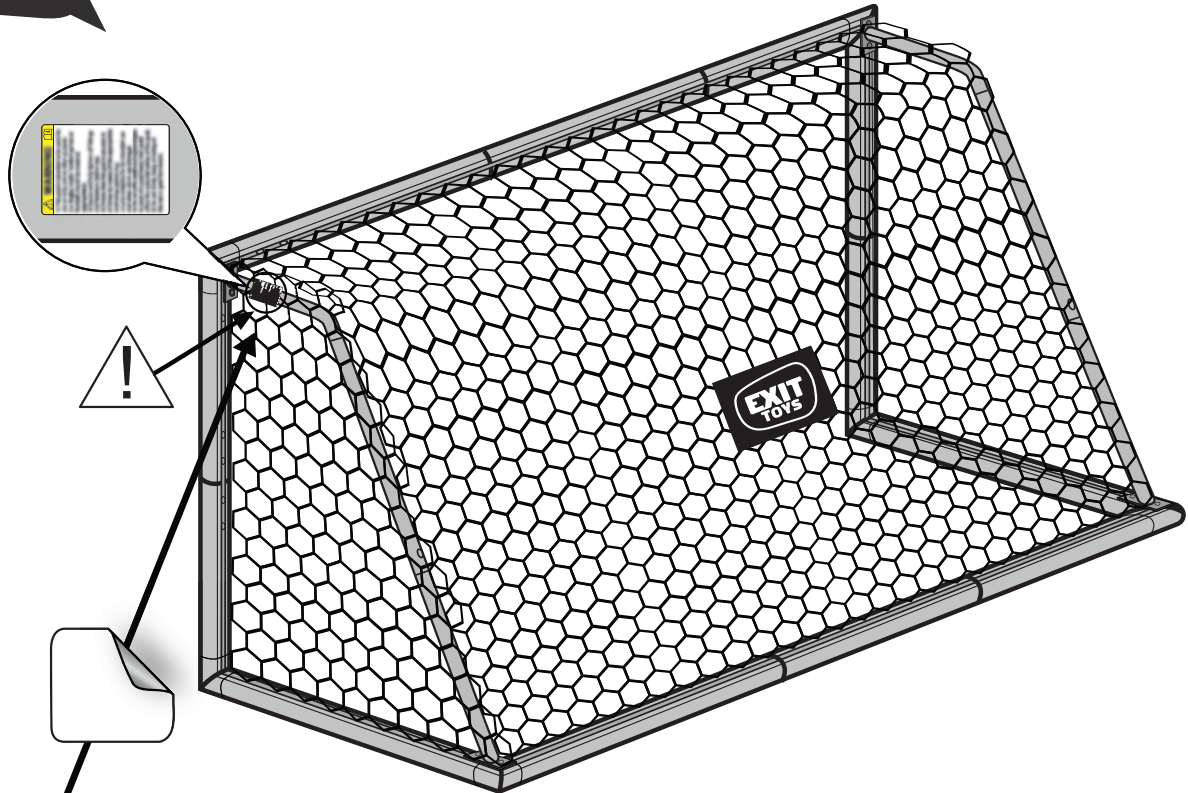
9



10



11



- EN
- DE
- NL
- FR
- DA

WARNING ⓘ

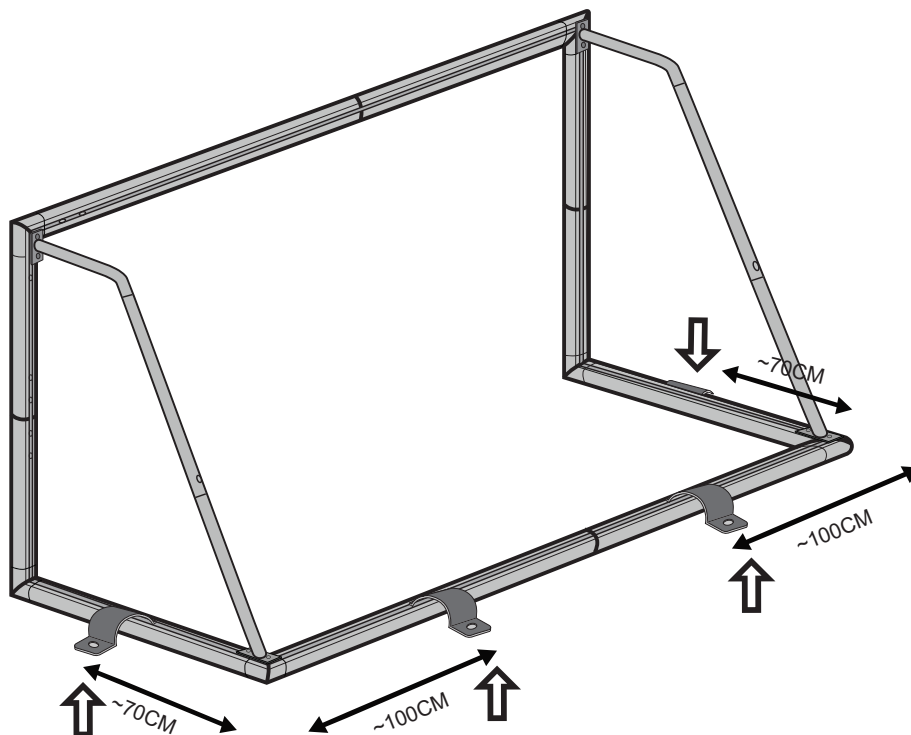
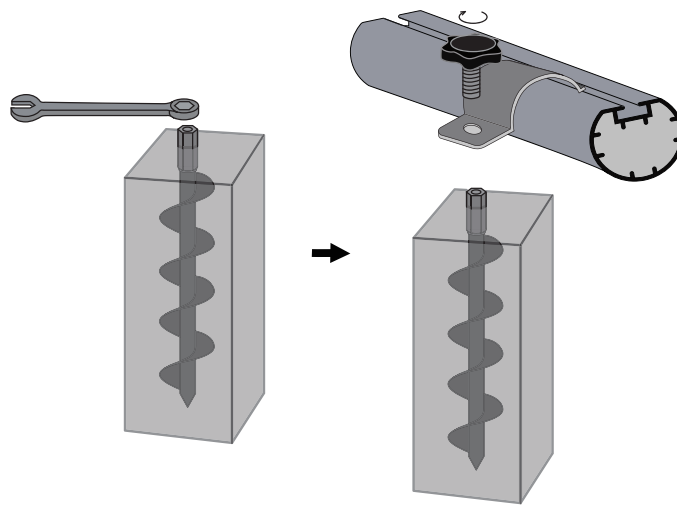
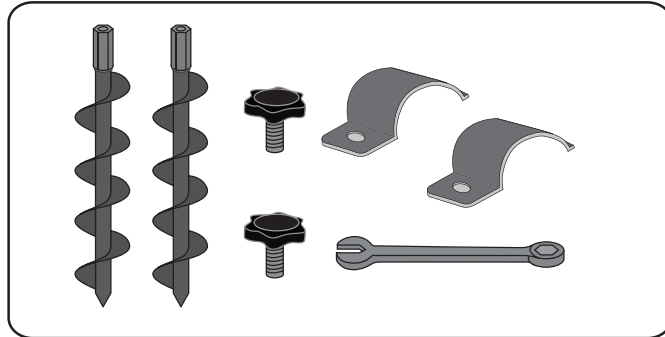
The goal is intended for outdoor use only. It is not suitable for use in areas with high humidity or high salt content. The goal should be stored in a dry, well-ventilated area.

The goal is not suitable for use in areas with high humidity or high salt content. The goal should be stored in a dry, well-ventilated area.

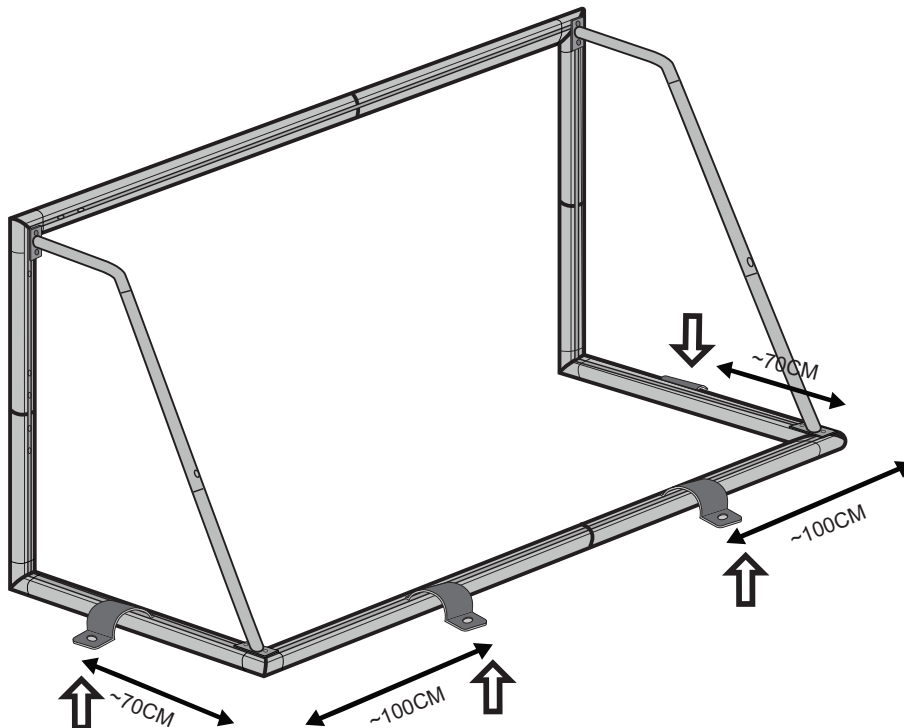
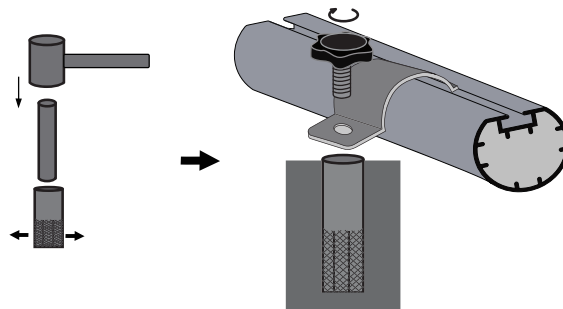
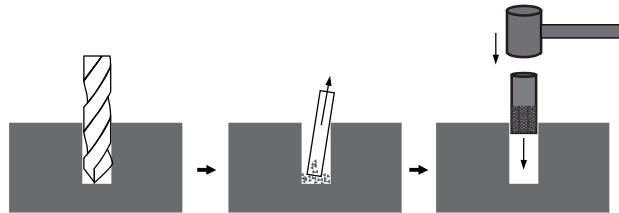
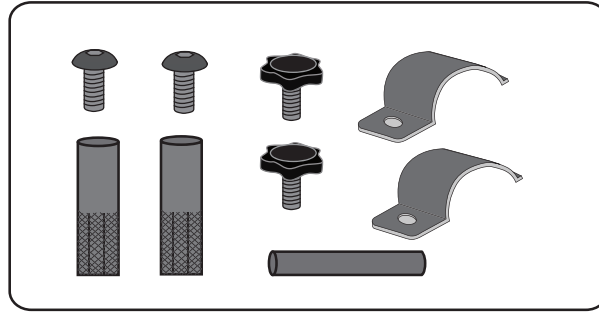
The goal is not suitable for use in areas with high humidity or high salt content. The goal should be stored in a dry, well-ventilated area.

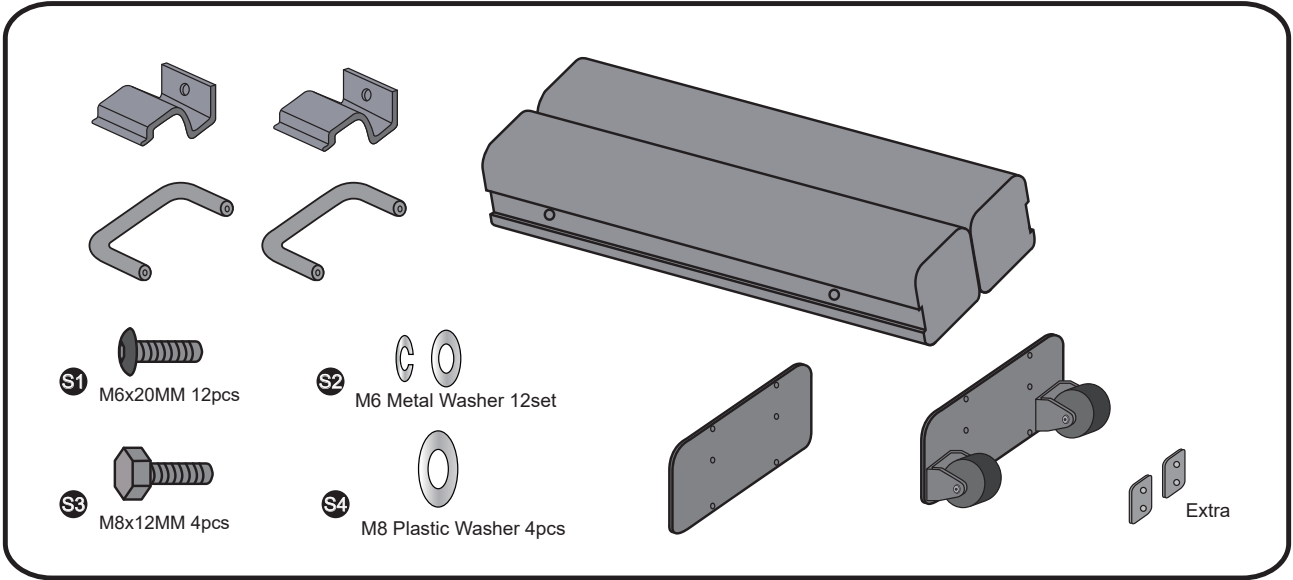
The goal is not suitable for use in areas with high humidity or high salt content. The goal should be stored in a dry, well-ventilated area.

12

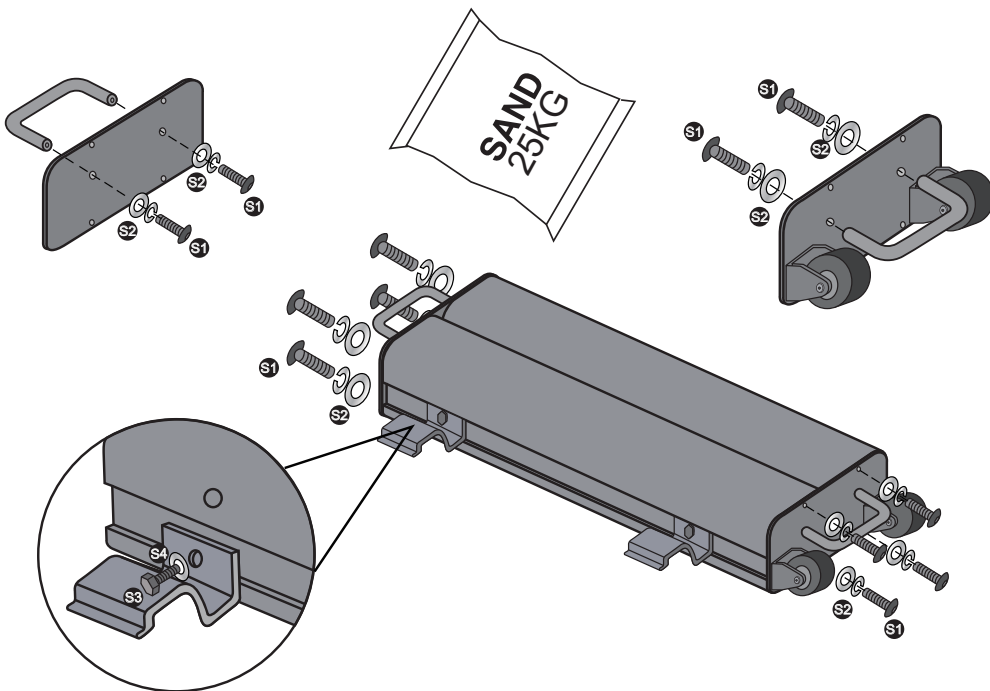


13

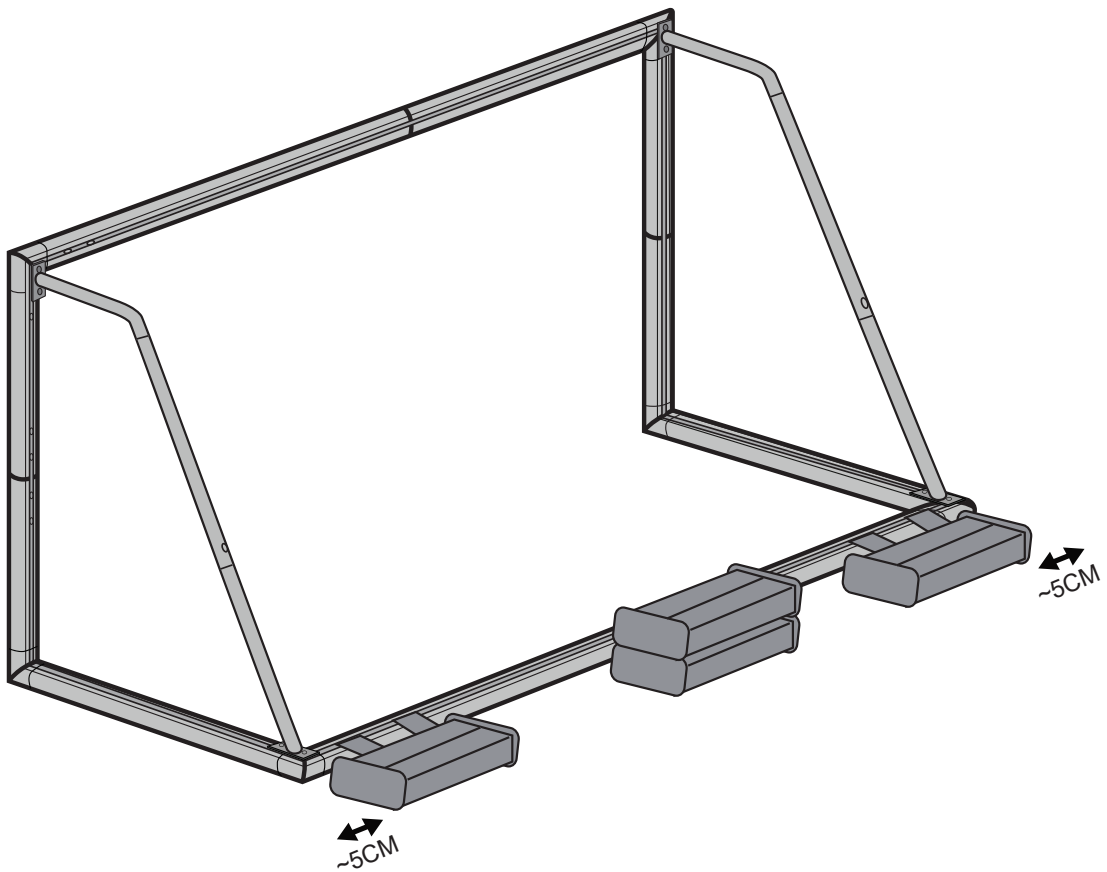
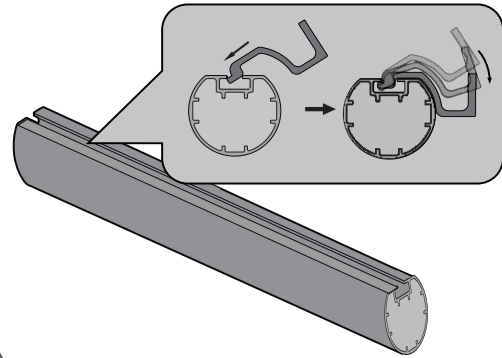
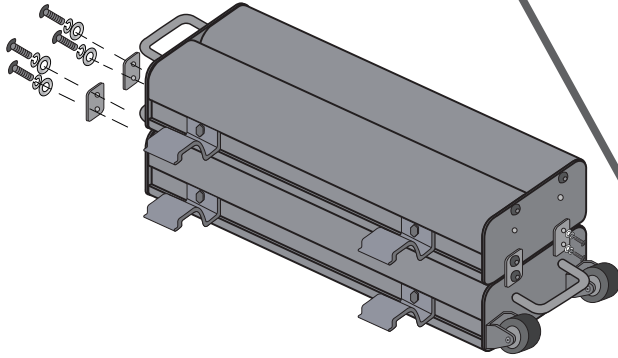




14



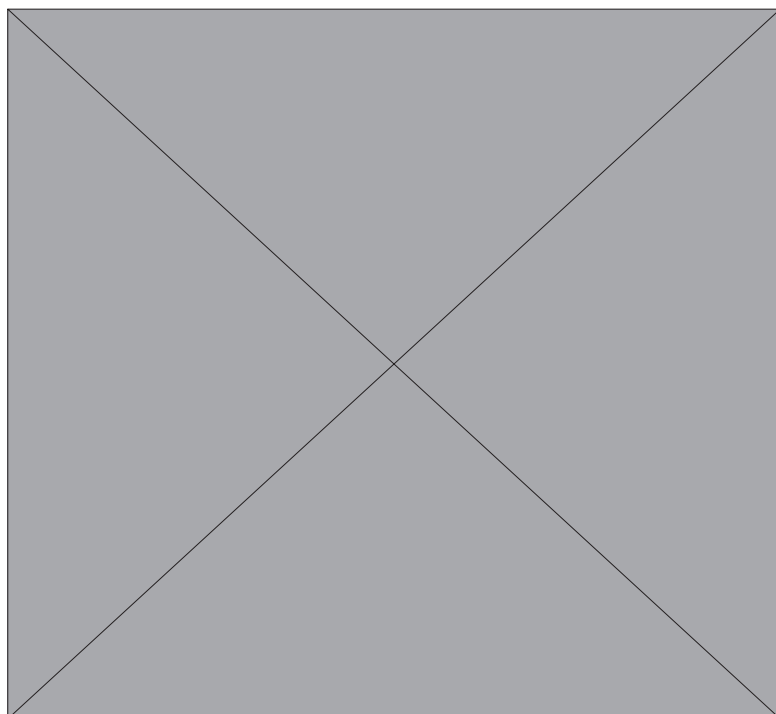
15





Soccer Goal

EXIT Scala 300x200



Contact Information:

Dutch Toys Group B.V.
Edisonstraat 83
7006 RB Doetinchem, The Netherlands

info@exittoys.com
www.exittoys.com

EXIT Toys is part of:

SIMBA · DICKIE · GROUP

EXIT Toys is a registered trade mark of Dutch Toys Group