



LIVE THE BRAAI LIFE

CITI CHEF 50

MODEL No: 20162

28/37/50 mbar



USER INSTRUCTIONS

GB DE DK ES FR IT NL NO PL SE SI

CAUTION
For Outdoor use only!

This appliance may not be used in an exterior enclosed balcony, porch or entertainment area!

IMPORTANT

Read these instructions for use carefully so as to familiarize yourself with the appliance before connecting it to its gas container. Keep these instructions for future reference.

1. Introduction

- This appliance has been designed to be used for outdoor cooking, specifically on a patio.
- Various food types can be prepared on this appliance. The Citi Chef 50 is designed to utilize various cooking surfaces.
- Gas is supplied to the unit via a hose and regulator. The hose and regulator can be connected to a gas cylinder (Not supplied with the appliance).
- The unit is easy to switch on, and to operate (Described below in section 6) and the user can control the heat input with an adjustable valve.

2. General information

- This appliance complies with EN 498:2012, EN 484:2019 and SANS 1539:2017.
- This appliance may only be used with an approved hose and regulator (A 2.8kPa hose and regulator supplied with this unit in South Africa)
- **Warning:** Accessible parts may be very hot. Keep young children away.
- Gas appliances require ventilation for efficient performance and to ensure the safety of users and other persons in close proximity, therefore do not use the appliance in an unventilated area. It is intended for use outdoors only.
- Only to be used with a gas cylinder that does not exceed 500mm in height and 350mm in width (including the regulator).
- Read the instructions before using the appliance.
- **Use outdoors only!**

Country of Use	BE, CH, CY, CZ, ES, FR, GB, GR, IE, IT, LT, LU, LV, PT, SK & SI	PL	BE, CY, DK, EE, FR, FI, HU, IT, LT, NL, NO, SE, SI, SK, RO, HR, TR, BG, IS, LU, MT, & ZA	AT, CH, DE & SK
Appliance Categories	I ₃₊ (28-30/37)		I _{3B/P} (37)	I _{3B/P} (30)
Allowable gasses	Butane-G30	Propane-G31	Butane-G30, Propane-G31 or their mixture	
Gas Pressure	28-30 mBar	37 mbar	37 mbar	28-30 mbar (2.8 kPa for South Africa) 50 mbar
Jet Number (mm)	0.95		0.91	0.95
Nominal Usage	270 g/h			
Gross nom. heat input	3.7 kW			

Gas Supply Sources	An approved hose and regulator connected to a refillable gas container not exceeding 9kg and complying with local regulation in force
---------------------------	---

Country Name and Abbreviations				
AE = United Arab Emirates	AL = Albania	AT = Austria	BE = Belgium	CH = Switzerland
CZ = Czech Republic	DE = Germany	DK = Denmark	ES = Spain	FI = Finland
FR = France	GB = United Kingdom	GR = Greece	HR = Croatia	IT = Italy
JP = Japan	KR = Korea	NL = Netherlands	NO = Norway	PL = Poland
PT = Portugal	RO = Romania	RU = Russia	RS = Serbia	SI = Slovenia
SK = Slovakia	SE = Sweden	TR = Turkey	ZA = South Africa	

3. Safety Information

Hose

- **This appliance may only be used outdoors.**
- A hose and regulator is supplied with this appliance (South Africa Only)
- The hose must be checked for wear or damage before every use and before connecting to the gas container.
- Do not use the appliance if it has a damaged or worn hose. Replace the hose.
- Do not use the appliance if it is leaking, damaged or which does not operate properly.

Gas Container

- Only use a cylinder that is approved by your countries regulations.
- Ensure that the gas container is fitted or changed in a well-ventilated location, preferably outdoors, away from any sources of ignition such as naked flames, pilots, electric fires and away from other people.
- Keep gas containers away from heat and flame. Do not place on a stove or any other hot surface.
- Gas cartridges/refillable cylinders are to be used only in the upright position so as to ensure proper fuel withdrawal. Failure to adhere to this may cause liquid discharge from the gas container resulting in a dangerous operating condition.
- Do not try to remove the cylinder whilst the unit is in operation.
- The gas cylinder must be disconnected from the appliance after use or when in storage.

Assembly and use

- Use only on a firm level surface.
- Do not move the appliance during use.
- Should the Heat Shield, Fat Pan or Burner Pan become damaged in such a way that permanent contact between the Heat Shield and the Fat Pan occurs during use, do not use the appliance. Return it to your Cadac stockist for repair.
- Ensure the appliance is used away from flammable materials. Minimum safe distances are: Above the appliance 1.2m. At the rear and sides 600mm. (See Fig. 2)
- **Caution:** When using the appliance, we recommend the use of protective gloves when removing and applying the dome, as the dome handle may become hot.
- **Caution:** Accessible parts may become very hot, the use of protective gloves is recommended.
- Keep young children away from the appliance.
- **Use Outdoors Only**
- **NOTE!** If the appliance is used in windy conditions, the dome must be used as a wind shield, and placed in position as shown in Fig. 4.
- Do not modify the appliance. Modifying the appliance may be dangerous.
- Warning: Any cylinder not connected for use should not be stored within the appliance at any time.
- Turn off the gas supply at the gas cylinder after use.

Light back

- In the event of light back (where the flame burns back and ignites inside the burner or venturi housing), immediately turn off the gas supply by firstly closing the control valve on the gas container and then the appliance valve. After the flame is extinguished, remove the regulator and check the condition of the seal; replace the seal if in doubt. Re-light the appliance as described in Section 6 below. Should the flame persistently light back, return the product to your authorised CADAC repair agent.

Leaks

- If there is a leak on your appliance (smell of gas), immediately close the control knob on the gas cylinder. If you wish to check for leaks on your appliance, do it outside. Do not try to detect leaks using a flame; use soapy water.
- The correct way is to smear the joints with soapy water. If a bubble or bubbles form then there is a gas leak. Immediately turn off the gas supply firstly by closing the control valve on the gas container and then the appliance valve. Check that all the connections are properly fitted. Re-check with soapy water. If a gas leak persists, return the product to your CADAC dealer for inspection / repair.
- Check for leaks on the tailpiece by the valve and on the cylinder regulator fitting with gas open on cylinder but not open or switched on by the appliance control knob.



Fig. 1

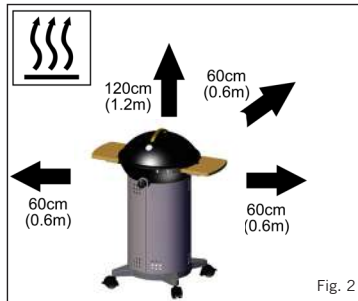


Fig. 2

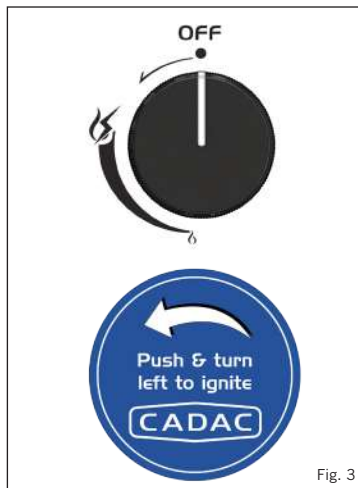
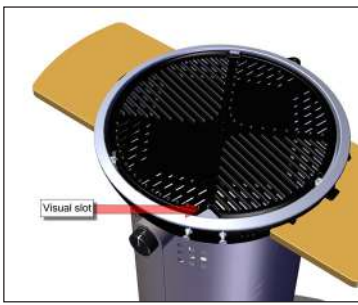


Fig. 3



Fig. 4



Flame visibility check

- It is important to check that the flame is still burning once you have lit your appliance.
- To check for flame visibility, there is a visual slot on the BBQ grid. Flame visibility can also be viewed through the grid slots.
- For easy visibility, place the visual slot at the front (as shown).

4. Combos

Citi Chef 50 BBQ Combo (Product Code: 20162-20)

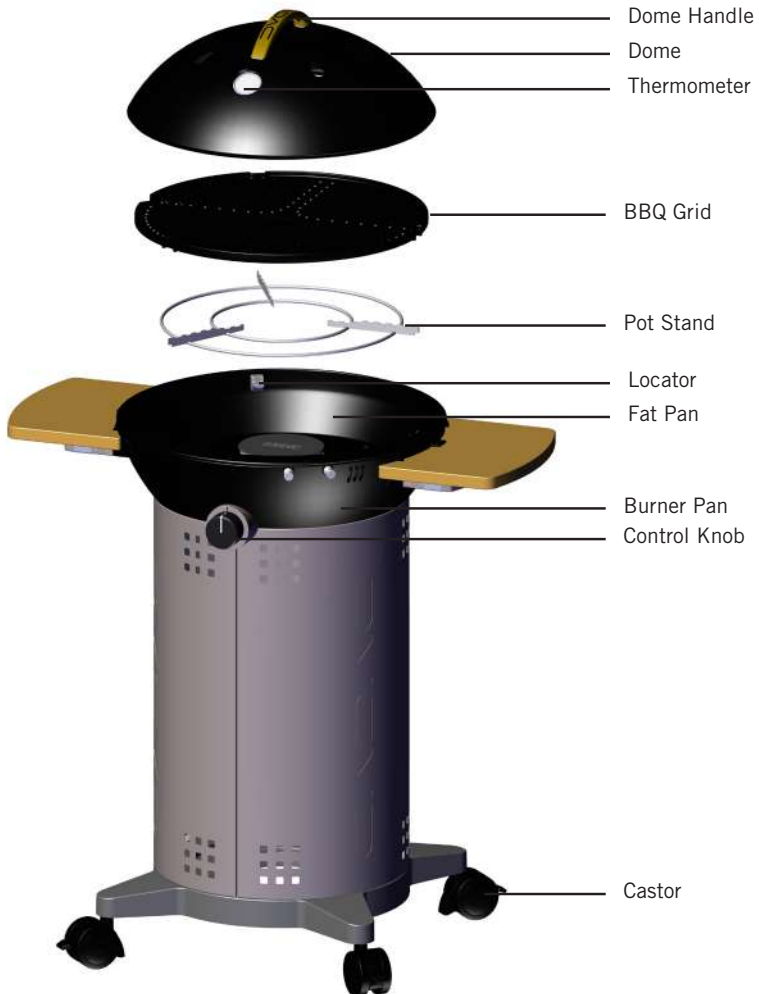


Fig. 6a

5. Fitting and Changing the Hose and Gas Cylinder

- **NOTE!** When installing the tailpiece, ensure it is held straight while tightening the tailpiece nut, in order to prevent a possible gas leak. Tighten with a suitable spanner. (Fig. 10)
- I 3B/P (30), I 3B/P (37) and I 3+ (28-30/37) Appliance categories: Fit the valve tailpiece onto the valve by screwing it on in an anti-clockwise direction. Push an approved hose onto the valve tailpiece until it is properly seated. On the other end, attach a suitable low pressure regulator (I3B/P (30) : 30 mbar G30/G31 configurations regulator; I3+(28-30/37): 28–30 mbar G30 regulator or 37 mbar G31 regulator); I3B/P(37): 37 mbar G30/G31 configurations regulators). Again making sure that the hose is well seated. The type of hose used shall comply with the relevant EN standard and local requirement. In South Africa the regulator used must comply with SANS 1537.
- I 3B/P (50) Appliance category: Screw a Hose with the correct threaded fittings on each end, onto the left hand ¼" BSP thread of the Valve. Attach a suitable 50 mbar G30/G31 low-pressure regulator on the other end of the hose. The hose used must comply with DIN 4815 part 2 or equivalent.
- The hose length should be no less than 800mm and shall not exceed 1.5m. Check the manufacture date on the hose and replace when necessary or when national regulations require it.
- Do not twist or pinch hose. Ensure the hose does not come into contact with any surfaces that would become hot during use.
- Before fitting the regulator to a gas container, ensure that the seal on the regulator is in position and in good condition. This should be done with every connection and before every use.
- Before fitting your gas cylinder, ensure that the valves are all in the "OFF" position by turning the control knob clockwise to its stop.
- Ensure that the gas container is fitted or changed in a well-ventilated location, preferably outdoors, away from any source of ignition such as naked flames or electric fires and away from other people.
- Making sure that the gas container is kept upright, screw the regulator onto the container until it is fully engaged. Hand-tighten only.
- If there is a leak on your appliance (smell of gas), close the cylinder valve immediately and follow the procedure to detect and stop a leak under Section 3. If you wish to check for leaks on your appliance, do it outside using soapy water only, which is applied to the joints. A formation of bubbles will indicate the gas leak.
- Check that all the connections are securely fitted and re-check with soapy water. If you cannot rectify the gas leak, do not use the appliance. Contact your local CADAC stockist for assistance.
- When changing a gas container, firstly close the container valve (if fitted) and then turn the control knob clockwise to its stop position.
- Ensuring that the flame is extinguished, unscrew the regulator. Refit a full container following the same precautions as described above.

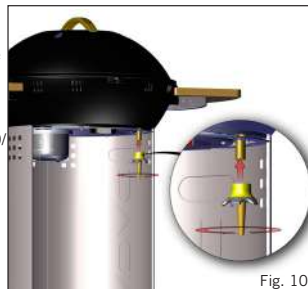


Fig. 10

6. Lighting the appliance

Precautions to observe before lighting.

- After prolonged storage, inspect the air holes in the valve cover for insects, which may affect gas flow. Inspect the inlet of the venturi for insects. After checking, refit all components into the prescribed position.

- **Use this appliance only on a firm level surface.**

Using the control knob

The control knob is fitted with two positive stop positions, one at low, and one at Ignite / High. This limits the adjustment of the flame to between these two points.

Lighting up using the Piezo Igniter

- To light up the appliance using the piezo igniter, push in and turn the control knob in an anti-clockwise direction until you hear a click. If the gas does not ignite on the first spark, push in, and turn the control knob fully clockwise. Try again, by pushing in and turning the control knob anti-clockwise until you hear a click. If the gas has not ignited in the first two to three seconds you should close the control valve by pushing in the control knob, and turning it fully clockwise. Wait approximately thirty seconds to let any accumulated gas within the burner pan assembly escape. Repeat the above process if necessary until the flame ignites. The flame should normally light up within the first one or two seconds.

Lighting up using a BBQ lighter

- When starting cold, the appliance may be lit from the top prior to fitting the desired cooking surface onto the fat pan. When lighting up a hot appliance however, it is recommended that this be done by sticking barbecue lighter through one of the Vent Holes underneath the Burner, until it is in line with the burner (DO NOT place the BBQ lighter through the large hole directly underneath the burner). Ignite the BBQ lighter. Whilst the BBQ lighter is lit, push in and turn the control knob anti-clockwise to light the burner.

General

- Once the appliance is lit, the flame intensity may be adjusted by turning the valve knob anti-clockwise to reduce the flame, or clockwise to increase the flame.
- The fully closed position is at the furthest clockwise position. To rotate the valve from the fully closed position it is necessary to first depress the knob just enough to move out of the lock mechanism. While holding the knob in, turn it in an anti-clockwise direction. Once the spindle has moved out of the lock position it is no longer necessary to keep the control knob depressed and it can be rotated freely to the desired flame setting.
- When cooking food with a high fat content, flaring may occur if the selected heat setting is too high. Should this happen, turn the heat down until the flaring ceases.

- Do not move the appliance when in use as, apart from being an unsafe practice, to move the appliance whilst lit, may cause flaring.
- After use, first close the valve on the gas container (where applicable). When the flame has extinguished, close the valve on the appliance by pushing in and turning the control knob fully clockwise.

7. Using the Appliance and its cooking surfaces

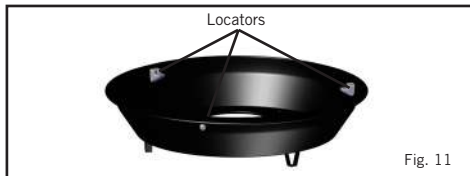
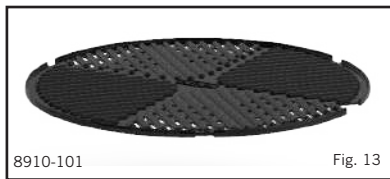


Fig. 11



8910-101

Fig. 13

BBQ Grid (Fig. 13)

- The BBQ grid locates on three die-cast locators in the fat pan (Fig. 11).
- Available as an additional accessory and spare
- Ceramic non-Stick coated cooking surface
- Do not use metal cooking utensils as this will cause damage to the ceramic non-stick coating.
- Ideal for grilling meat, fish, chicken and vegetables
- A convenient carry bag is included with this cooking surface.
- **WARNING:** We recommend the use of gloves when handling the BBQ Grid.

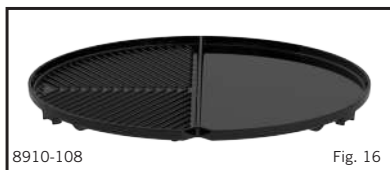


8910-102

Fig. 15

Chef Pan (Fig. 15)

- The Chef Pan locates on three die-cast locators in the fat pan (Fig. 11).
- Available as an additional accessory and spare (not included)
- Ceramic non-Stick coated cooking surface.
- Do not use metal cooking utensils as this will cause damage to the ceramic non-stick coating.
- **WARNING:** When pre-heating, do not use the Chef Pan on a high flame setting with the dome for more than 15 minutes as this can damage the non-stick coating and the Pan .
- **WARNING:** We recommend the use of gloves when handling the Chef Pan.



8910-108

Fig. 16

BBQ @ Plancha (Fig. 16)

- The BBQ Plancha gives maximum versatility with open grill BBQ on one side and flat grill pan on the other.
- Available as an additional accessory and spare (not included)
- The ceramic coated top is easy to use and clean.
- A convenient carry bag is included.
- **WARNING:** We recommend the use of gloves when handling the BBQ Plancha.



8910-105

Fig. 17

Enamel Roast Pan (Fig. 17)

- Available as an additional accessory and spare (not included)
- Porcelain enamel-coated cooking surface
- Ideal for preparing roast chicken, lamb, vegetables, etc.
- Porcelain enamel-coated cooking surface
- **WARNING:** We recommend the use of gloves when handling the Roast Pan.

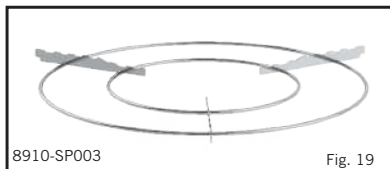


8910-110

Fig. 18

Pizza Stone (Fig. 18)

- Available as an additional accessory and spare (not included)
- 10mm thick baking stone that can withstand temperatures of up to 500°C
- Includes nickel-plated wire holder.
- **WARNING:** We recommend the use of gloves when handling the baking Stone. Please read pizza stone manual carefully before use.

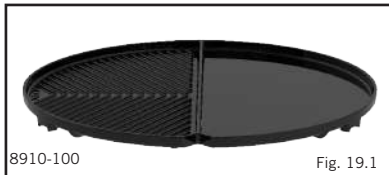


8910-SP003

Fig. 19

Pot Stand (Fig. 19)

- Nickel-plated pot stand, to support most standard size pots.
- Available as an additional accessory and spare.
- **WARNING:** We recommend the use of gloves when handling the Pot Stand.



8910-100

Fig. 19.1

Grill2Braai (Fig. 19.1)

- Available as an additional accessory and spare (not included).
- The Grill2Braai locates on three die-cast locators in the fat pan (Fig. 11).
- Ceramic non-Stick coated cooking surface.
- Do not use metal cooking utensils as this will cause damage to the ceramic non-stick coating.
- The flat half is ideal for cooking fish, breakfasts, and pancakes, whilst the ribbed half is ideal for grilling meat, fish, chicken, and vegetables.
- A convenient carry bag is included with this cooking surface.
- **WARNING:** We recommend the use of gloves when handling the Grill2Braai.

IMPORTANT! To ensure validity of your warranty, use only dedicated CADAC cooking surfaces
NOTE! Always use the wind shield if you use the appliance in windy conditions

8. General Maintenance

- The onus of maintaining this appliance solely rests on the consumer from date of purchase. This appliance does not require scheduled maintenance.
- Replacing a Blocked Jet:
- Your Citi Chef is fitted with a specific size jet to regulate the correct amount of gas.
- Should the hole in the jet become blocked, this may result in a small flame or no flame at all. Do not attempt to clean the jet with a pin or other such device as this may damage the orifice, which could make the appliance unsafe.
- **To replace the jet:** Pull the back panel out using the handle (Fig 20) Remove the dome, BBQ grid, pot stand and any other loose items from the appliance. Now unscrew the 3 screws from underneath the appliance as shown in Fig 21, this will loosen the burner. Now remove the burner gently by lifting it out (Fig22), NOTE that it is attached to the piezo ignition wire. DO NOT yank the burner out otherwise you risk snapping the piezo ignition wire from your appliance. Gently lay the burner to the side, this will reveal the jet (Fig 23). The jet can now be removed using a suitable spanner. Do not use pliers on the jet as this may damage the jet, making it unusable or impossible to remove. Screw the new jet into the valve. Do not over tighten as this may damage the jet.
- Reverse the above procedure to re-assemble the unit.
- Replacing the Hose:
- The fitting of a hose is described in Section 4 - Fitting and replacing the hose and gas cylinder.



Fig. 20

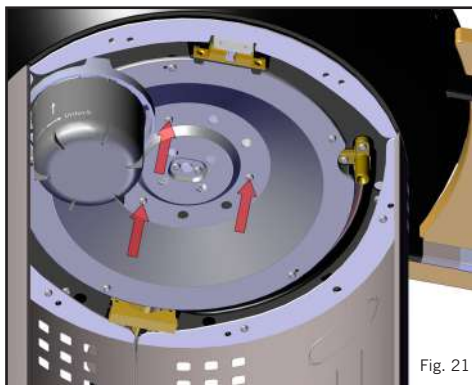


Fig. 21

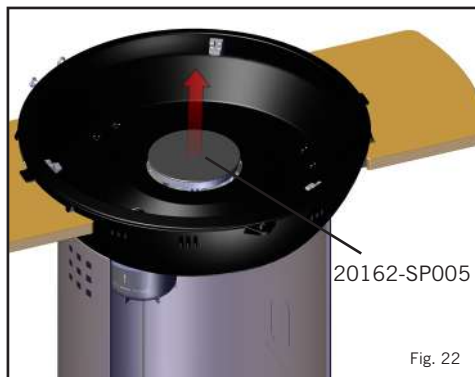


Fig. 22

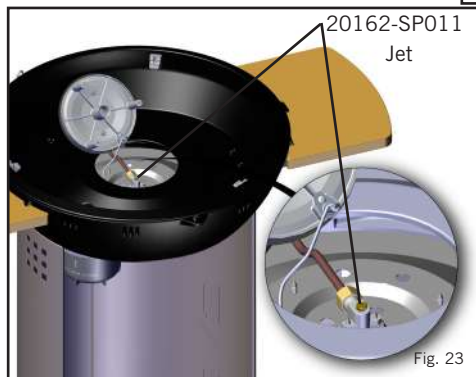


Fig. 23

9. Cleaning

- **Note:** For Parts Reference (See Section 7)
- **BBQ:** Remove the fat from the moat at the bottom of the Fat Pan. Wash the grid in warm water with non-abrasive detergent after wiping off any excess fat left after cooking.
- **BBQ Lid:** Wash the BBQ Lid in warm water using a suitable non-abrasive detergent. Do not use sharp metal objects or abrasive detergents, as this will damage the surface coating.
- **Note:** For stubborn stains, oven cleaner may be used.
- Care of Ceramic non-Stick Cooking surfaces:
- The ceramic non-stick cooking surfaces are coated with a ceramic non-stick coating that has been used with great success on some of the best cookware in the world. Nevertheless, taking care of it can help you to enjoy extra years of healthy, easy, ceramic non-stick cooking.
- Use only low or medium heat settings to help retain the valuable nutrients in the food and maintain the ceramic non-stick cooking surface.
- The ceramic non-stick coating can easily be damaged by the use of metal cooking utensils.
- **Important! It is recommended that only plastic or wooden utensils be used when cooking.**
- Do not overheat the ceramic non-stick cooking surfaces and always add a little cooking oil to the surface before use.
- **Always allow the ceramic non-stick surfaces to cool before immersing it in water.**
- The ceramic non-stick coating is perfectly safe in the dishwasher, but the ceramic non-stick surface is so easy to clean that a quick hand-wash does the trick. **The use of abrasive detergents is not recommended, as this will permanently damage the ceramic non-stick surface.**
- After cleaning recondition the surface with a light wipe of vegetable oil.
- After every use, remove the fat from the fat pan and clean as described for the BBQ above.

10. Storing and Carrying

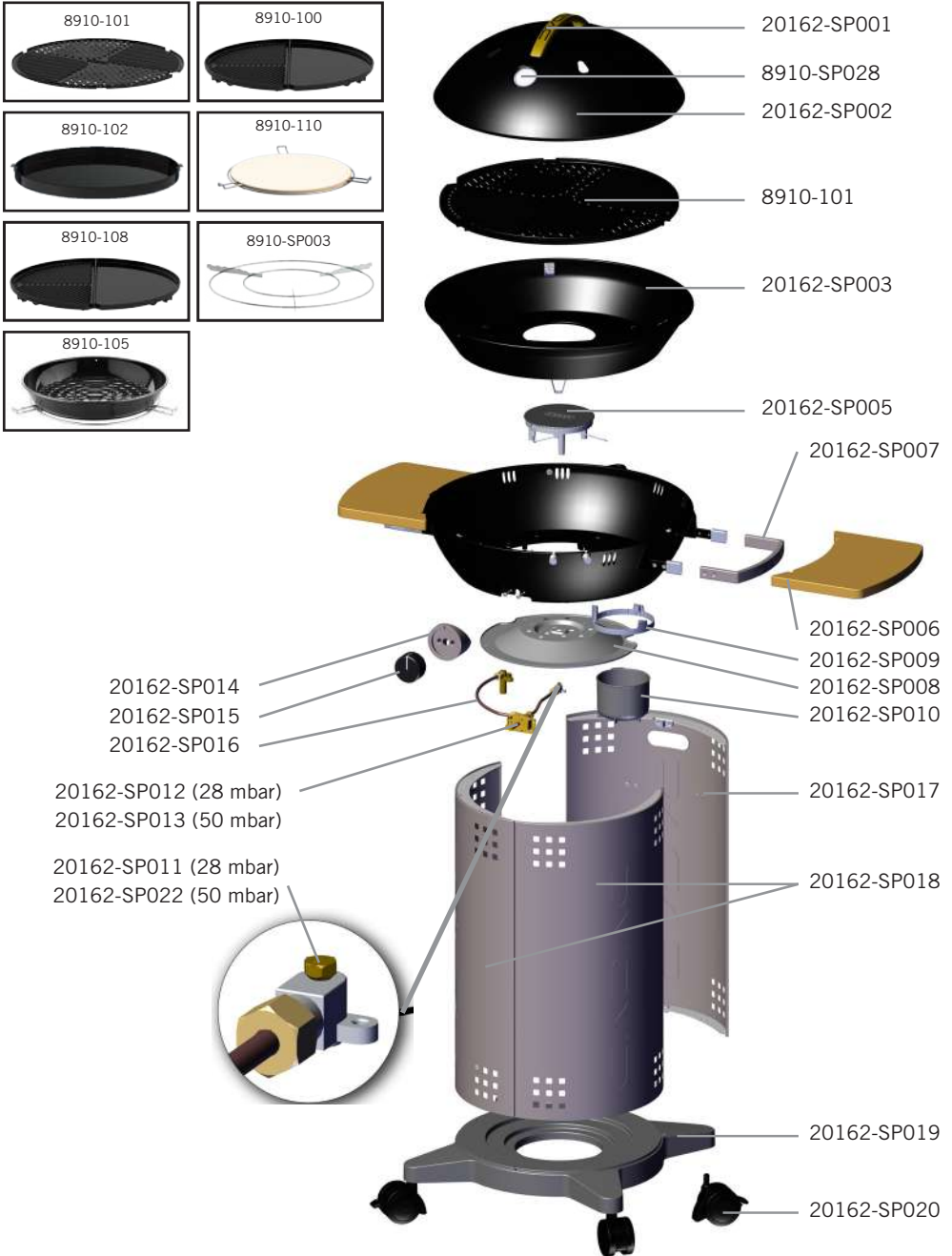
- BBQ Lid fits on the rear of the bag with the support straps that are provided.
- Should the appliance operate abnormally after storage and all checks referred to in Sections 5 & 8 have not isolated any problem, the Venturi may be blocked. A blocked Venturi would be indicated by a weaker yellowish flame or no flame at all in extreme cases. Under these circumstances it will be necessary to remove the burner as described under Section 8 - general maintenance, and to check and thoroughly clean out any foreign matter which may have gathered in the venturi.

11. Returning the appliance for repair or service.

- Do not modify the appliance, as this could be dangerous.
- If you cannot rectify a fault by following these instructions, contact your local CADAC distributor for details on how to return the product for attention.
- Your CADAC Citi Chef is guaranteed by CADAC for a period of 5 years against factory fault.

12. Spares and Accessories

- Always use genuine CADAC spares as they have been designed to give optimum performance.



VORSICHT

Nur im Außenbereich verwenden! Dieses Gerät darf nicht in umschlossenen Räumen (wie z. B. Balkon, Veranda oder Bewirtungsbereich) verwendet werden!

WICHTIG

Lesen Sie diese Gebrauchsanweisung sorgfältig und machen Sie sich mit dem Gerät vertraut, bevor Sie den Gasbehälter anschließen. Bewahren Sie diese Anleitung zum späteren Nachschlagen auf.

1. Einführung

- Dieses Gerät wurde für den Außenbereich, speziell für die Terrasse, entwickelt.
- Verschiedene Lebensmittel können auf diesem Gerät zubereitet werden. Der Citi Chef 50 kann mit verschiedenen Grilloberflächen genutzt werden.
- Schlauch und Druckminderer (nicht im Lieferumfang enthalten) werden an die Gasflasche angeschlossen, und Gas wird so mit dem Gerät verbunden.
- Das Gerät ist einfach einzuschalten und zu betreiben (dies wird unten in Abschnitt 6 beschrieben), und der Benutzer kann die Wärmezufuhr mit einem Regler kontrollieren.

2. Allgemeine Informationen

- Dieses Gerät entspricht den Normen EN498:2012, EN484:1997 und SANS 1539:2012. BS EN 498:2012,
- Dieses Gerät darf nur mit einem zugelassenen Schlauch und Regler verwendet werden.
- **Warnung:** Zugängliche Teile können sehr heiß werden. Kleine Kinder vom Gerät fernhalten.
- Darf nur mit einer Gasflasche verwendet werden, die nicht höher ist als 500 mm in der Höhe und 350mm in der Breite (einschließlich des Reglers).
- Gasgeräte benötigen für effiziente Leistung ausreichend Belüftung, um die Sicherheit der Benutzer und anderer Personen in unmittelbarer Nähe zu gewährleisten. Deshalb darf das Gerät nicht in unbelüfteten Bereichen betrieben werden. Es ist nur zur Verwendung im Freien vorgesehen.
- Lesen Sie diese Anleitung sorgfältig, bevor Sie das Gerät in Betrieb nehmen.
- **Nur im Außenbereich verwenden!**

Verwendungsland	BE, CH, CY, CZ, ES, FR, GB, GR, IE, IT, LT, LU, LV, PT, SK & SI	PL	BE, CY, DK, EE, FR, FI, HU, IT, LT, NL, NO, SE, SI, SK, RO, HR, TR, BG, IS, LU, MT, & ZA	AT, CH, DE & SK	
Geräteklassen	I _{3+(28-30/37)}		I _{3B/P (37)}	I _{3B/P (30)}	I _{3B/P (50)}
Zulässige Gase	Butan-G30	Propan-G31	Butan-G30, Propan-G31 oder deren Gemisch		
Betriebsdrücke	28–30 mbar	37 mbar	37 mbar	28–30 mbar (Südafrika 2.8 kPa)	50 mbar
Anzahl Düsen (mm)	0.95		0.91	0.95	0.85
Nenn-Verbrauch	270 g/h				
Nominale Bruttowärmezufuhr	3.7 kW				
Gasversorgungsquellen	zugelassener Schlauch und Regler, an einen nachfüllbaren Gasbehälter angeschlossen (nicht mehr als 9 kg); unter Einhaltung der örtlichen Vorschriften.				

Landesnamen und Abkürzungen:

AE = United Arab Emirates	AL = Albania	AT = Austria	BE = Belgium	CH = Switzerland
CZ = Czech Republic	DE = Germany	DK = Denmark	ES = Spain	FI = Finland
FR = France	GB = United Kingdom	GR = Greece	HR = Croatia	IT = Italy
JP = Japan	KR = Korea	NL = Netherlands	NO = Norway	PL = Poland
PT = Portugal	RO = Romania	RU = Russia	RS = Serbia	SI = Slovenia
SK = Slovakia	SE = Sweden	TR = Turkey	ZA = South Africa	

3. Sicherheitsinformationen

Schlauch

- **Dieses Gerät darf nur im Außenbereich verwendet werden.**
- Vor jeder Verwendung und vor dem Anschließen an den Gasbehälter muss der Schlauch auf Verschleißspuren oder Beschädigungen überprüft werden.
- Verwenden Sie das Gerät nicht, wenn der Schlauch beschädigt oder verschlissen ist. Tauschen Sie den Schlauch aus.
- Verwenden Sie das Gerät nicht, wenn es Undichtigkeiten oder Beschädigungen aufweist oder nicht ordnungsgemäß funktioniert.

Gasbehälter

- Verwenden Sie nur Gasflaschen, die in Ihrem Land zugelassen sind.
- Stellen Sie sicher, dass der Gasbehälter an einem gut belüfteten Ort angeschlossen oder ausgewechselt wird, vorzugsweise im Außenbereich, fern von Entzündungsquellen wie zum Beispiel offenen Flammen, Kontrollflammen, elektrischen Heizgeräten sowie von anderen Personen.
- Gasbehälter von Hitze und Flammen fernhalten. Nicht auf einem Herd oder anderen heißen Oberflächen abstellen.
- Gaspatronen/nachfüllbare Flaschen dürfen nur in aufrechter Position verwendet werden, damit eine ordnungsgemäße Brennstoffentnahme gewährleistet ist. Nichteinhaltung kann zum Austreten von Flüssigkeit aus dem Gasbehälter führen, was gefährliche Betriebsbedingungen zur Folge haben kann.
- Versuchen Sie nicht, die Gasflasche zu entfernen, während das Gerät in Betrieb ist.
- Die Gasflasche muss nach dem Gebrauch und bei der Lagerung vom Gerät getrennt werden.

Aufbau und Verwendung

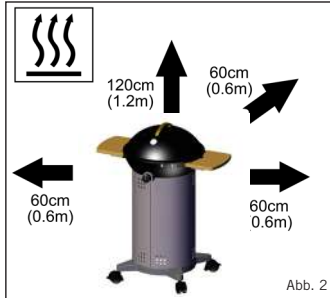
- Nur auf festem, ebenem Untergrund betreiben.
- Während des Betriebs darf das Gerät nicht bewegt werden.
- Wenn Hitzeschild, Fettpfanne oder Brennerpfanne derart beschädigt werden, dass beim Betrieb permanenter Kontakt zwischen dem Hitzeschild und der Fettpfanne entsteht, darf das Gerät nicht verwendet werden. Bringen Sie es zur Reparatur zu Ihrem CADAC-Vertriebshändler.
- Vergewissern Sie sich, dass das Gerät nicht in der Nähe von entzündlichen Materialien betrieben wird. Mindestsicherheitsabstände: über dem Gerät 1,2 m. Hinten und an den Seiten 600 mm. (Siehe Abb. 2)
- **Vorsicht:** Wenn das Gerät in Betrieb ist, empfehlen wir die Verwendung von Schutzhandschuhen beim Abnehmen und Aufsetzen des Deckels. Der Handgriff des Deckels kann heiß werden.
- **Vorsicht:** Zugängliche Teile können sehr heiß werden. Es wird empfohlen, Schutzhandschuhe zu verwenden.
- Halten Sie kleine Kinder vom Gerät fern.
- **Nur im Außenbereich verwenden**
- **HINWEIS!** Wenn das Gerät bei windigem Wetter verwendet wird, muss der Deckel als Windschutz genutzt und in eine Position wie in Abb. 4 dargestellt gebracht werden.

Flammenrückschlag

- Im Falle eines Flammenrückschlags (wenn die Flamme zurückschlägt und sich das Gas im Brenner oder Venturigehäuse entzündet), müssen Sie sofort das Gas abdrehen, indem Sie zuerst das Regelventil am Gasbehälter und anschließend das Ventil am Gerät schließen. Wenn die Flamme erloschen ist, den Regler entfernen und den Zustand der Dichtung prüfen. Im Zweifelsfall die Dichtung erneuern. Entzünden Sie das Gerät wieder, wie untenstehend in Abschnitt 6 beschrieben. Falls die Flamme nach wie vor zurückschlägt, ist das Gerät zu einem autorisierten CADAC-Reparaturdienst zu bringen.

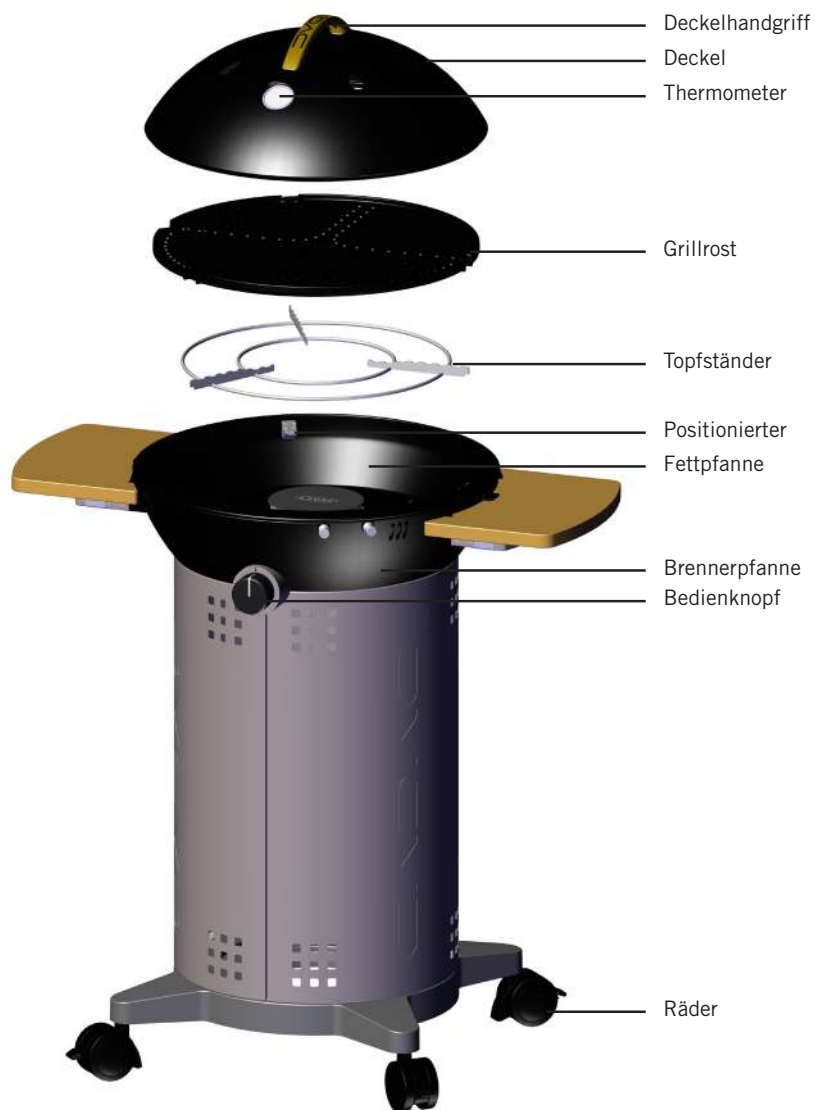
Lecks

- Im Falle eines Lecks an Ihrem Gerät (Gasgeruch) sofort den Drehknopf an der Gasflasche schließen. Wenn Sie Ihr Gerät auf Lecks prüfen wollen, machen Sie dies bitte im Freien. Versuchen Sie nicht, Lecks mit Hilfe einer Flamme ausfindig zu machen. Verwenden Sie dazu Seifenwasser.
- Bestreichen Sie die Verbindungsstellen mit Seifenwasser. Wenn sich Blasen bilden, deutet dies auf ein Gasleck hin. Drehen Sie die Gasversorgung sofort ab, indem Sie zuerst das Regelventil am Gasbehälter und anschließend das Ventil am Gerät schließen. Überprüfen Sie alle Verbindungen auf ordnungsgemäßen Zustand. Prüfen Sie erneut mit Seifenwasser. Wenn weiterhin ein Gasleck auftritt, bringen Sie das Gerät zur Inspektion/Reparatur zu Ihrem autorisierten CADAC-Fachhändler.
- Überprüfen Sie die Anlage auf Lecks am Schlauchstutzen beim Ventil und am Regler der Gasflasche. Dabei ist der Gashahn an der Flasche geöffnet, der Regler am Gerät jedoch geschlossen.



4. Kombinationen

Citi Chef 50 BBQ Grill (Produktcode: 20162-20)



5. Anbringen und Auswechseln des Schlauchs und der Gasflasche

- Geräteklasse I 3B/P (50): Schrauben Sie einen Schlauch mit korrekten Gewindeanschlüssen an beiden Enden auf das viertelzöllige BSP Linksgewinde am Ventil. Bringen Sie am anderen Ende des Schlauchs einen geeigneten 50 mbar Niederdruck-Regler an. Die Schlauchleitung verwendet werden, müssen mit DIN 4815 Teil 2 oder gleichwertig erfüllen.
- Die Schlauchlänge soll nicht weniger als 800 mm betragen und 1,5 m nicht übersteigen. Prüfen Sie das Verfallsdatum am Schlauch und ersetzen Sie ihn falls erforderlich bzw. wenn nationale Vorschriften dies vorschreiben.
- Den Schlauch nicht verdrehen oder quetschen. Stellen Sie sicher, dass der Schlauch nicht in Kontakt mit Oberflächen kommt, die beim Betrieb heiß werden.
- Bevor Sie den Regler an einen Gasbehälter anschließen, müssen Sie sicherstellen, dass die Dichtung am Regler guten Sitz hat und in gutem Zustand ist. Dies muss bei jedem Anschließen und vor jeder Verwendung geschehen.
- Bevor Sie die Gasflasche anschließen, stellen Sie sicher, dass alle Ventile geschlossen sind. Drehen Sie dazu den Bedienknopf im Uhrzeigersinn bis zum Anschlag.
- Stellen Sie sicher, dass der Gasbehälter an einem gut belüfteten Ort angeschlossen oder ausgewechselt wird, vorzugsweise im Außenbereich, fern von Entzündungsquellen wie zum Beispiel offenen Flammen, Kontrollflammen, elektrischen Heizgeräten sowie von anderen Personen.
- Achten Sie darauf, dass der Gasbehälter in aufrechter Position ist, und schrauben Sie den Regler auf den Behälter, bis er vollständig anbefestigt ist. Nur handfest anziehen.
- Im Falle eines Lecks an Ihrem Gerät (Gasgeruch) sofort den Drehknopf am Gasbehälter schließen und das in Abschnitt 3 beschriebenen Verfahren zum Aufspüren und Schließen von Lecks ausführen. Wenn Sie Ihr Gerät auf Lecks überprüfen wollen, müssen Sie dies im Freien mit Seifenwasser tun, welches auf die Verbindungen aufgebracht wird. Bilden sich Blasen, so deutet dies auf ein Gasleck hin.
- Überprüfen Sie, ob alle Anschlüsse fest angezogen sind, und wiederholen Sie die Prüfung mit der Seifenlauge. Falls Sie das Gasleck nicht ausfindig machen können, darf das Gerät nicht verwendet werden. Wenden Sie sich in diesem Fall an Ihren CADAC-Vertriebshändler.
- Wenn Sie einen Gasbehälter auswechseln, schließen Sie zunächst das Ventil am Behälter (falls montiert), und drehen Sie dann den Bedienknopf im Uhrzeigersinn bis zum Anschlag.
- Vergewissern Sie sich, dass die Flamme erloschen ist, und schrauben Sie den Regler ab. Schließen Sie einen vollen Behälter an. Beachten Sie dabei die oben beschriebenen Vorsichtsmaßnahmen.

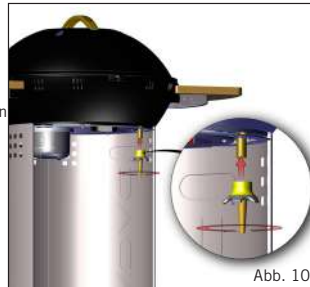


Abb. 10

6. Entzünden des Geräts

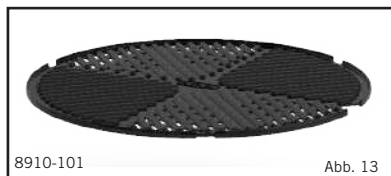
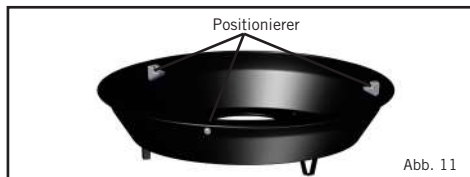
Vor dem Entzünden zu beachtende Vorsichtsmaßnahmen

- Nach längerer Lagerung müssen die Luftlöcher im Ventildeckel daraufhin überprüft werden, ob der Gasstrom durch Insekten beeinträchtigt wird. Überprüfen Sie den Einlass des Venturis auf Insekten. Bringen Sie nach diesen Überprüfungen alle Komponenten wieder in ihre vorgeschriebene Position.
- **Das Gerät darf nur auf einem stabilen, ebenen Untergrund verwendet werden.**
Verwendung des Bedienknopfes
Der Bedienknopf hat zwei positive Endpositionen: Kleine Flamme und Anzünden / große Flamme. Dadurch wird die Einstellung der Flamme auf den Bereich zwischen diesen beiden Punkten eingeschränkt.
Entzünden mit dem Piezo-Anzünder
- Um das Gerät mit dem Piezo-Anzünder zu entzünden, drücken Sie den Bedienknopf ein und drehen ihn entgegen dem Uhrzeigersinn, bis Sie ein Klick-Geräusch hören. Wenn sich das Gas nicht mit dem ersten Funken entzündet, drücken Sie den Bedienknopf ein und drehen ihn im Uhrzeigersinn bis zum Anschlag. Versuchen Sie es erneut, indem Sie den Bedienknopf eindrücken und entgegen dem Uhrzeigersinn drehen, bis Sie ein Klick-Geräusch hören. Wenn sich das Gas nicht innerhalb der ersten zwei bis drei Sekunden entzündet hat, müssen Sie das Regelventil schließen, indem Sie den Bedienknopf eindrücken und im Uhrzeigersinn bis zum Anschlag drehen. Warten Sie ca. dreißig Sekunden, damit Gas, das sich ggf. in der Brennerpfanne angesammelt hat, entweichen kann. Wiederholen Sie erforderlichenfalls den oben beschriebenen Vorgang, bis sich die Flamme entzündet. Die Flamme sollte sich normalerweise innerhalb der ersten ein bis zwei Sekunden entzünden.
Entzünden mit einem Grillanzünder
- Wenn das Gerät kalt ist, kann es von oben entzündet werden, bevor die gewünschte Kochoberfläche auf die Fettpfanne montiert wird. Beim Entzünden des Geräts im heißen Zustand wird jedoch empfohlen dies zu tun, indem ein Grillanzünder so weit durch eine der Belüftungsöffnungen unterhalb des Brenners gesteckt wird, bis er mit dem Brenner auf gleicher Höhe ist. (Stecken Sie den Grillanzünder NICHT durch die große Öffnung direkt unterhalb des Brenners.) Zünden Sie den Grillanzünder. Drücken Sie, während der Grillanzünder brennt, den Bedienknopf hinein und drehen Sie ihn entgegen dem Uhrzeigersinn, um den Brenner zu entzünden.

Allgemeines

- Wenn die Flamme entzündet ist, kann die Intensität der Flamme durch Drehen des Bedienknopfes eingestellt werden: gegen den Uhrzeigersinn zum Reduzieren der Flamme, bzw. mit dem Uhrzeigersinn zum Hochregeln der Flamme.
- Am Anschlag im Uhrzeigersinn ist das Ventil vollständig geschlossen. Um das Ventil aus der vollständig geschlossenen Position zu drehen, muss der Knopf zuerst so weit eingedrückt werden, dass sich die Verriegelung löst. Drehen Sie den eingedrückt Knopf entgegen dem Uhrzeigersinn. Sobald die Verriegelung gelöst ist, ist es nicht mehr nötig, den Knopf gedrückt zu halten. Er kann jetzt frei bis zur gewünschten Flammeneinstellung gedreht werden.
- Beim Zubereiten von Speisen mit hohem Fettgehalt kann es zum Aufklackern kommen, wenn die Hitze zu hoch eingestellt ist. Regeln Sie in diesem Fall die Hitze herunter, bis das Flackern aufhört.
- Während des Betriebs darf das Gerät nicht bewegt werden. Abgesehen davon, dass dies gefährlich ist, kann das Bewegen des Geräts während des Betriebs zum Aufklackern führen.
- Nach der Verwendung schließen Sie zuerst das Ventil am Gasbehälter (falls zutreffend). Wenn die Flamme erloschen ist, schließen Sie das Ventil am Gerät, indem Sie den Bedienknopf eindrücken und im Uhrzeigersinn bis zum Anschlag drehen.

7. Verwenden des Geräts und seiner Kochoberflächen



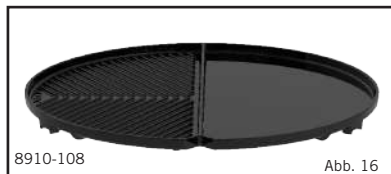
Grillrost (Abb. 13)

- Der Grillrost ruht auf drei Druckguss-Positionierern in der Fettpfanne (Abb. 11).
- Verfügbar als zusätzliches Zubehör und Ersatzteil
- GreenGrill-Keramikbeschichtete Kochoberfläche
- Verwenden Sie keine Kochutensilien aus Metall, da diese die GreenGrill-Keramikbeschichtete beschädigen würden.
- Ideal zum Grillen von Fleisch, Fisch, Hähnchen und Gemüse
- **WARNUNG:** Wir empfehlen die Verwendung von Schutzhandschuhen bei der Handhabung des BBQ-Grills.



Kochpfanne (Abb. 15)

- Die Kochpfanne ruht auf drei Druckguss-Positionierern in der Fettpfanne (Abb. 11).
- Verfügbar als zusätzliches Zubehör und Ersatzteil (nicht im Lieferumfang)
- Antihaftbeschichtete Kochoberfläche
- Verwenden Sie keine Kochutensilien aus Metall, da diese die Antihaftbeschichtung beschädigen würden.
- **WARNUNG:** Benutzen Sie die Kochpfanne beim Vorheizen nicht länger als 15 Minuten mit der Haube, da dies die Antihaftbeschichtung und die Pfanne beschädigen kann.
- **WARNUNG:** Wir empfehlen die Verwendung von Schutzhandschuhen bei der Handhabung der Kochpfanne.



BBQ@Plancha (Abb. 16)

- Der Grill Plancha sorgt für maximale Vielseitigkeit mit offenem Grill BBQ auf der einen Seite und flachen Grillpfanne auf der anderen.
- Verfügbar als zusätzliches Zubehör und Ersatzteil (nicht im Lieferumfang)
- Die keramisch beschichtete Spitze ist leicht zu bedienen und zu reinigen.
- Ein praktischer Tragetasche ist im Lieferumfang enthalten.
- **WARNUNG:** Wir empfehlen die Verwendung von Schutzhandschuhen bei der Handhabung des Grill Plancha.



Röstpfanne (Abb. 17)

- Verfügbar als zusätzliches Zubehör und Ersatzteil (nicht im Lieferumfang)
- Porzellanemaillierte Kochoberfläche
- Ideal zum Zubereiten von Brathähnchen, Lamm, Gemüse usw.
- **WARNUNG:** Wir empfehlen die Verwendung von Schutzhandschuhen bei der Handhabung der Bratpfanne.

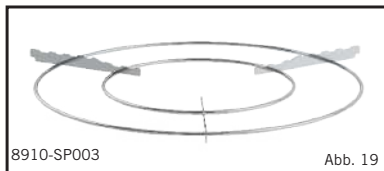


8910-110

Abb. 18

Pizzastein (Abb. 18)

- Verfügbar als zusätzliches Zubehör und Ersatzteil (nicht im Lieferumfang)
- 10 mm dicker Backstein, der Temperaturen von bis zu 500°C standhält
- Mit einem Handgriff aus vernickeltem Draht
- **WARNUNG:** Wir empfehlen die Verwendung von Schutzhandschuhen bei der Handhabung des Backsteins.

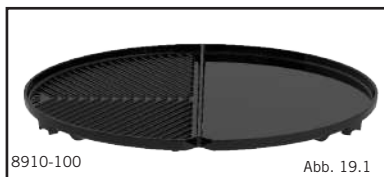


8910-SP003

Abb. 19

Topfständer (Abb. 19)

- Vernickelter Topfständer für die meisten Standard-Topfgrößen
- Verfügbar als zusätzliches Zubehör und Ersatzteil.
- **WARNUNG:** Wir empfehlen die Verwendung von Schutzhandschuhen bei der Handhabung des Topf-Untersetzers.



8910-100

Abb. 19.1

Grill @Braai (Abb. 19.1)

- Verfügbar als zusätzliches Zubehör und Ersatzteil (nicht im Lieferumfang)
- Der Grill 2 Braai ruht auf drei Druckguss-Positionierern in der Fettpfanne (Abb. 11).
- GreenGrill-Keramikbeschichtung Kochoberfläche
- Verwenden Sie keine Kochutensilien aus Metall, da diese die Antihafbeschichtung beschädigen würden.
- Die flache Hälfte ist ideal zum Zubereiten von Fisch, Frühstück und Pfannkuchen geeignet, während die gerippte Hälfte ideal zum Grillen von Fleisch, Fisch, Hähnchen und Gemüse geeignet ist.
- Diese Kochoberfläche wird mit einer praktischen Tragetasche geliefert.
- **WARNUNG:** Wir empfehlen die Verwendung von Schutzhandschuhen bei der Handhabung des Grill @Braai.

- **WICHTIG!** Benutzen Sie nur die vorgesehenen CADAC-Kochoberflächen, um die Gültigkeit der Garantie nicht zu gefährden.
- **HINWEIS!** Verwenden Sie immer den Windschutz, wenn Sie das Gerät bei windigen Wetter benutzen.

8. Allgemeine Wartung

- Die Last der Wartung dieses Geräts liegt ab dem Tag des Kaufs einzig beim Verbraucher. Dieses Gerät bedarf keiner planmäßigen Wartung.
Austausch einer verstopften Düse:
- Ihr Citi Chef ist mit einer Düse in spezieller Größe ausgestattet, um die korrekte Gasmenge zu regulieren.
- Verstopft die Bohrung in der Düse, kann dies dazu führen, dass sich nur eine kleine oder gar keine Flamme bildet. Versuchen Sie nicht, die Düse mit einer Nadel o. Ä. zu reinigen, da dies die Bohrung beschädigen und den sicheren Betrieb des Geräts gefährden könnte.
- Um die Düse zu tauschen ziehen Sie die Rückwand mit dem Griff heraus (abb. 20). Entfernen Sie den Deckel, das Grillrost, den Topfständer sowie die anderen losen Gegenstände aus dem Gerät. Schrauben Sie nun die 3 Schrauben unterhalb des Gerätes ab, wie in Abb. 21 gezeigt, dadurch wird der Brenner gelöst. Entfernen Sie den Brenner vorsichtig, indem Sie ihn herausnehmen (Abb. 22). **HINWEIS,** der Piezodraht ist am Brenner befestigt, bitte vorsichtig herausnehmen, ohne den Piezodraht zu beschädigen. Legen Sie den Brenner vorsichtig zur Seite (Abb. 23). Die Düse kann nun mit einem geeigneten Schraubenschlüssel entfernt werden. Verwenden Sie keine Zange, um die Düse nicht zu beschädigen. Schrauben Sie die neue Düse ein. Achtung, nicht zu fest drehen, um die Düse nicht zu beschädigen.
- Beim Wiedereinbau in umgekehrter Reihenfolge vorgehen.
Austausch des Schlauchs
- Das Anbringen eines Schlauchs wird in Abschnitt 5 - Anbringen und Auswechseln des Schlauchs und der Gasflasche - beschrieben.



Abb. 20

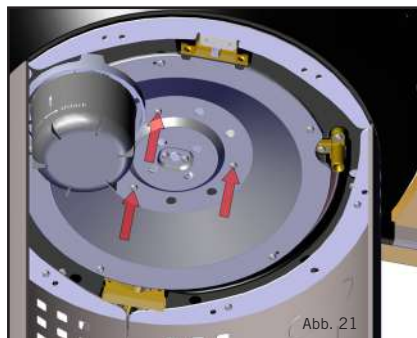
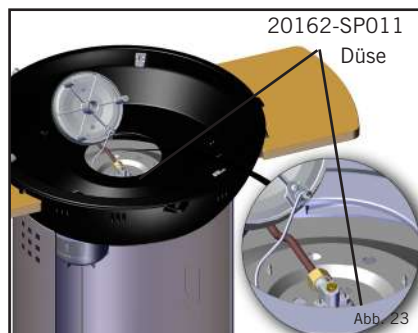
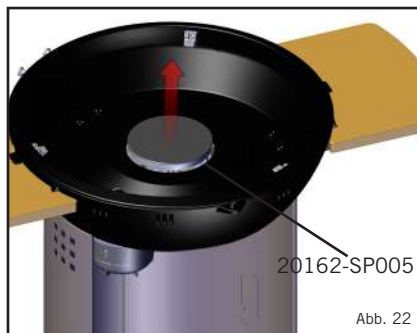


Abb. 21



9. Reinigung

- **Hinweis:** Zu den Komponenten und ihrer Bezeichnung (siehe Abschnitt 7)
- **Grillrost:** Entfernen Sie das Fett aus der Rinne im Boden der Fettpfanne. Wischen Sie nach dem Kochen verbliebenes überschüssiges Fett ab mit einem nicht scheuernden Reinigungsmittel in warmem Wasser.
- **Deckel:** Waschen Sie den BBQ-Deckel mit einem geeigneten nicht scheuernden Reinigungsmittel in warmem Wasser. Verwenden Sie keine scharfen Metall-Gegenstände oder Scheuermittel, denn diese würde die Oberflächenbeschichtung beschädigen.
- **Hinweis:** Für hartnäckige Flecken kann Ofenreiniger verwendet werden.
Pflege der keramikbeschichteten Kochoberflächen:
- Die Kochoberflächen sind mit einer speziellen Keramikbeschichtung beschichtet, der mit großem Erfolg bei einigen der weltbesten Kochgeräte verwendet wird. Dennoch kann sorgfältige Behandlung Ihnen zusätzliche Jahre gesunden, problemlosen, anbreunfreien Kochens schenken.
- Verwenden Sie nur niedrige oder mittlere Hitzeeinstellungen, um die wertvollen Nährstoffe in den Nahrungsmitteln zu erhalten und die antihafbeschichteten Kochoberflächen instand zu halten.
- Die Keramikbeschichtung kann durch die Verwendung metallener Kochutensilien leicht beschädigt werden.
- **HINWEIS! Es wird empfohlen, zum Kochen nur Utensilien aus Kunststoff oder Holz zu verwenden.**
- Überhitzen Sie die antihafbeschichteten Kochoberflächen nicht, und tragen Sie vor der Verwendung immer ein wenig Speiseöl auf die Oberfläche auf.
- **Lassen Sie die keramikbeschichteten Oberflächen immer abkühlen, bevor Sie sie in Wasser tauchen.**
- Die Keramikbeschichtung ist absolut Geschirrspülfest, aber die keramikbeschichtete Oberfläche ist so einfach zu reinigen, dass eine schnelle Handwäsche es auch tut. **Die Verwendung scheuernder Reinigungsmittel wird nicht empfohlen, weil dadurch die Keramikbeschichtung dauerhaft beschädigt wird.**
- Nach dem Reinigen die Oberfläche durch Bestreichen mit etwas Pflanzenöl auffrischen.
- Nach jeder Verwendung das Fett aus der Fettpfanne entfernen und diese, wie oben für das BBQ beschrieben, reinigen.

10. Aufbewahrung und Transport

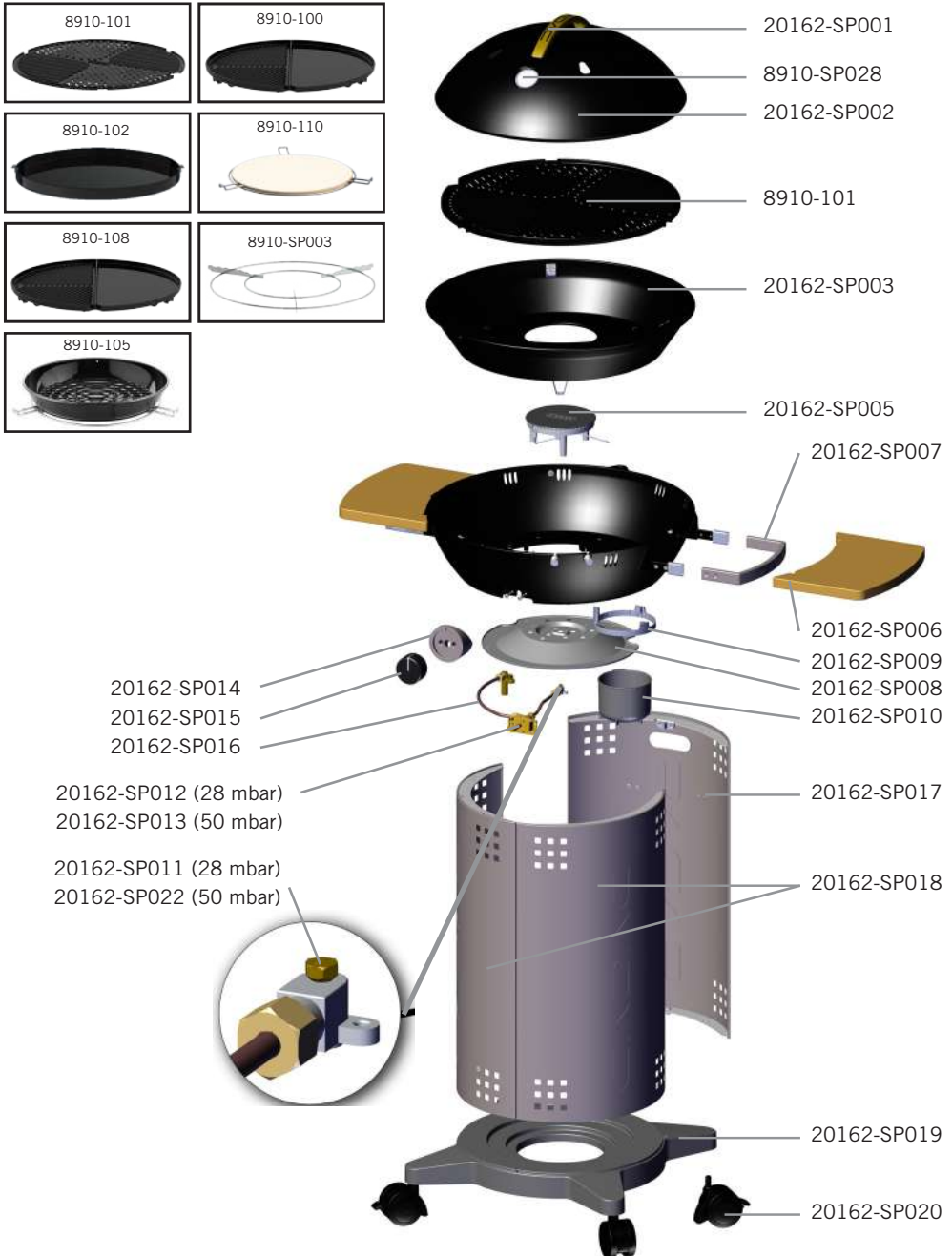
- Sollte das Gerät nach der Aufbewahrung unnormal arbeiten und alle in den Abschnitten 5 und 8 aufgeführten Prüfungen nicht die Ursache des Problems aufgezeigt haben, kann das Venturi blockiert sein. Ein blockiertes Venturi würde sich in einer schwächeren gelblichen Flamme oder in extremen Fällen darin äußern, dass überhaupt keine Flamme brennt. Unter diesen Umständen wird es erforderlich sein, den Brenner wie in Abschnitt 8 - Allgemeine Wartung - beschrieben, auszubauen und eventuelle Verschmutzungen, die sich im Venturi angesammelt haben, gründlich zu beseitigen.

11. Das Gerät zur Reparatur oder zur Inspektion einliefern

- Modifizieren Sie das Gerät nicht, denn das könnte gefährlich sein.
- Wenn es nicht gelingt, einen Fehler anhand dieser Anleitung zu beheben, erkundigen Sie sich bei Ihrem örtlichen CADAC-Vertriebshändler danach, wie das Produkt zur Reparatur eingeliefert werden kann.
- Ihr CADAC Carri Chef wird von CADAC mit einer Garantie von 5 Jahren gegen werksseitige Fehler geliefert.

12. Ersatzteile und Zubehör

- Verwenden Sie immer Originalersatzteile von CADAC, denn diese sind für optimale Funktion ausgelegt.



WAARSCHUWING

NL**Alleen voor gebruik buitenshuis!****Dit apparaat mag niet worden gebruikt op een afgesloten balkon, veranda of terras!**

BELANGRIJK

Lees deze gebruiksinstructies zorgvuldig door om vertrouwd te raken met het apparaat voordat u het aansluit op de gasfles. Bewaar deze instructies voor toekomstig gebruik.

1. Inleiding

- Deze barbecue is ontworpen voor buiten koken, speciaal voor op een veranda, balkon of in de tuin.
- Dit apparaat kan worden gebruikt voor de bereiding van verschillende soorten gerechten. De Citi Chef 50 kan gebruikt worden met veel verschillende (optionele) kookoppervlakken.
- Het gas wordt aangesloten middels een gas slang en drukregelaar, welke worden aangesloten op een gasfles (niet meegeleverd).
- Het apparaat is eenvoudig in te schakelen en te bedienen (zie de beschrijving hieronder in sectie 6). De hittetoevoer kan door de gebruiker worden afgesteld met een regelbaar ventiel.

2. Algemene informatie

- Dit apparaat voldoet aan EN498:2012, EN484:1997 en SANS 1539:2012
- Dit apparaat mag alleen worden gebruikt met een goedgekeurde slang en drukregelaar (in Zuid-Afrika zijn de slang en drukregelaar meegeleverd met het apparaat).
- **Waarschuwing:** aanraakbare onderdelen kunnen erg heet zijn. Houd kleine kinderen uit de buurt van het apparaat.
- Alleen te gebruiken met een gasfles die niet hoger is dan 500 mm in hoogte en 350mm in breedte (inclusief de regelaar).
- Gasapparaten hebben ventilatie nodig voor een efficiënte werking en om de veiligheid van gebruikers en andere personen in de buurt te garanderen. Gebruik het apparaat daarom niet in een ongeventileerde ruimte. Het apparaat is uitsluitend bedoeld voor gebruik buitenshuis.
- Lees deze instructies zorgvuldig door voordat u het apparaat gebruikt.
- **Alleen buitenshuis gebruiken!**

Land van gebruik	BE, CH, CY, CZ, ES, FR, GB, GR, IE, IT, LT, LU, LV, PT, SK & SI	PL	BE, CY, DK, EE, FR, FI, HU, IT, LT, NL, NO, SE, SI, SK, RO, HR, TR, BG, IS, LU, MT, & ZA	AT, CH, DE & SK	
Apparaatcategorieën	I ₃₊ (28-30/37)		I _{3B/P} (37)	I _{3B/P} (30)	I _{3B/P} (50)
Toegestane gassen	Butaan-G30	Propaan-G31	Butaan-G30, Propaan-G31 of hun mengsels		
Bedrijfsdruk	28-30 mbar	37 mbar	37 mbar	28-30 mbar (Zuid-Afrika 2.8 kPa)	50 mbar
Nummer straalpijp (mm)	0.95		0.91	0.95	0.85
Nominaal verbruik	270 g/h				
Bruto nominaal vermogen	3.7 kW				
Gasbronnen	Een goedgekeurde slang en drukregelaar aangesloten op een hervulbare gasfles die niet zwaarder is dan 9 kg en die voldoet aan de lokale voorschriften.				

Landnamen en afkortingen

AE = United Arab Emirates	AL = Albania	AT = Austria	BE = Belgium	CH = Switzerland
CZ = Czech Republic	DE = Germany	DK = Denmark	ES = Spain	FI = Finland
FR = France	GB = United Kingdom	GR = Greece	HR = Croatia	IT = Italy
JP = Japan	KR = Korea	NL = Netherlands	NO = Norway	PL = Poland
PT = Portugal	RO = Romania	RU = Russia	RS = Serbia	SI = Slovenia
SK = Slovakia	SE = Sweden	TR = Turkey	ZA = South Africa	

3. Veiligheidsinformatie

Slang

- **Dit apparaat mag alleen buitenshuis worden gebruikt.**
- Een slang en drukregelaar zijn meegeleverd met dit apparaat (alleen ZA)
- Controleer de slang voor ieder gebruik en voordat u die aansluit op de gasfles op slijtage en beschadigingen.
- Gebruik het apparaat niet als de slang beschadigd of versleten is. Vervang de slang.
- Gebruik het apparaat niet als het lekt, beschadigd is of niet naar behoren werkt.

Gasfles

- Gebruik alleen flessen die zijn goedgekeurd overeenkomstig de wetgeving in uw land.
- Plaats of vervang de gasfles altijd in een goed eventilerde ruimte, bij voorkeur buiten, uit de buurt van mogelijke ontstekingsbronnen, zoals open vuur, waakvlammen en radiatoren, en niet in de buurt van andere mensen.
- Houd gasflessen uit de buurt van hitte en open vuur. Niet op een fornuis of ander heet oppervlak plaatsen.
- Gascartridges/hervulbare gasflessen dienen alleen in rechtopstaande positie te worden gebruikt, zodat de brandstof op correcte wijze wordt onttrokken. Het niet naleven van deze instructie kan leiden tot het weglekken van vloeistof uit de gasfles. Hierdoor kunnen gevaarlijke gebruiksomstandigheden ontstaan.
- Probeer de gasfles niet te verwijderen wanneer het apparaat in gebruik is.
- Na gebruik of wanneer het apparaat wordt opgeborgen, moet de gasfles worden losgekoppeld.

Montage en gebruik

- Gebruik het apparaat alleen op een stevige, vlakke ondergrond.
- Verplaats het apparaat niet wanneer het in gebruik is.
- Als het hittedeksel, de vetvangbak of branderbak dermate beschadigd raken dat het hittedeksel en de vetvangbak elkaar raken tijdens het gebruik, kunt u het apparaat niet gebruiken. Breng het apparaat ter reparatie naar uw CADAC-leverancier.
- Gebruik het apparaat niet in de buurt van brandbare materialen. De minimale veilige afstanden zijn: Boven het apparaat 1,2 m. Aan de achterkant en zijanten 600 mm (Zie afbeelding 2.)

- **Waarschuwing:** wij raden u aan bij het verwijderen en plaatsen van de deksel tijdens gebruik van het apparaat ovenwanten te dragen. Het handvat kan erg heet zijn.
- **Waarschuwing:** aanraakbare onderdelen kunnen erg heet worden. Het gebruik van ovenwanten is raadzaam.
- Houd kleine kinderen uit de buurt van het apparaat.
- Alleen buitenshuis gebruiken
- **LET OP!** Als het apparaat wordt gebruikt bij winderig weer, moet het deksel worden gebruikt als windscherm in de positie zoals getoond op afbeelding 4.

Terugslag (vlam).

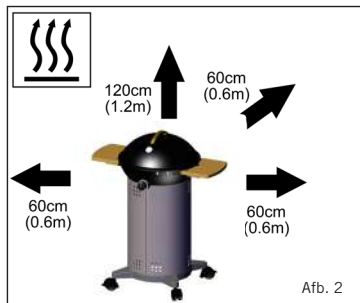
- In het geval van terugslag (waarbij de vlam terugslaait en in de brander of de Venturi-behuizing ontbrandt), dient u de gastoevoer onmiddellijk af te sluiten door eerst het regelventiel op de gasfles dicht te draaien en daarna het ventiel op het apparaat. Nadat de vlam is gedoofd, verwijdert u de drukregelaar en controleert u de conditie van de pakking. Vervang de pakking als u niet zeker weet of die nog goed is. Steek het apparaat opnieuw aan zoals beschreven in sectie 6 hieronder. Als de vlam blijft terugslaan, brengt u het apparaat naar een bevoegde CADAC-reparateur.

Lekkage

- Als het apparaat gas lekt (gaslucht), draait u onmiddellijk de regelknop op de gasfles dicht. Als u het apparaat wilt controleren op lekkage, doet u dit buiten. Probeer lekkages niet op te sporen met behulp van vuur, maar gebruik zeepwater.
- De juiste manier om dit te doen, is zeepwater aan te brengen op de aansluitingen. Als zich belletjes vormen, is er sprake van een gaslek. Sluit de gastoevoer onmiddellijk af door eerst het regelventiel op de gasfles dicht te draaien en daarna het ventiel op het apparaat. Controleer of alle aansluitingen goed vastzitten en controleer opnieuw met zeepwater. Als u het gaslek niet kunt verhelpen, brengt u het product ter inspectie/reparatie naar een CADAC-leverancier.
- Controleer op lekkage aan het sluitstuk van het ventiel en bij de drukregelaaraansluiting van de gasfles met de gastoevoer van de gasfles geopend, maar met de regelknop van het apparaat gesloten.



Afb. 1



Afb. 2



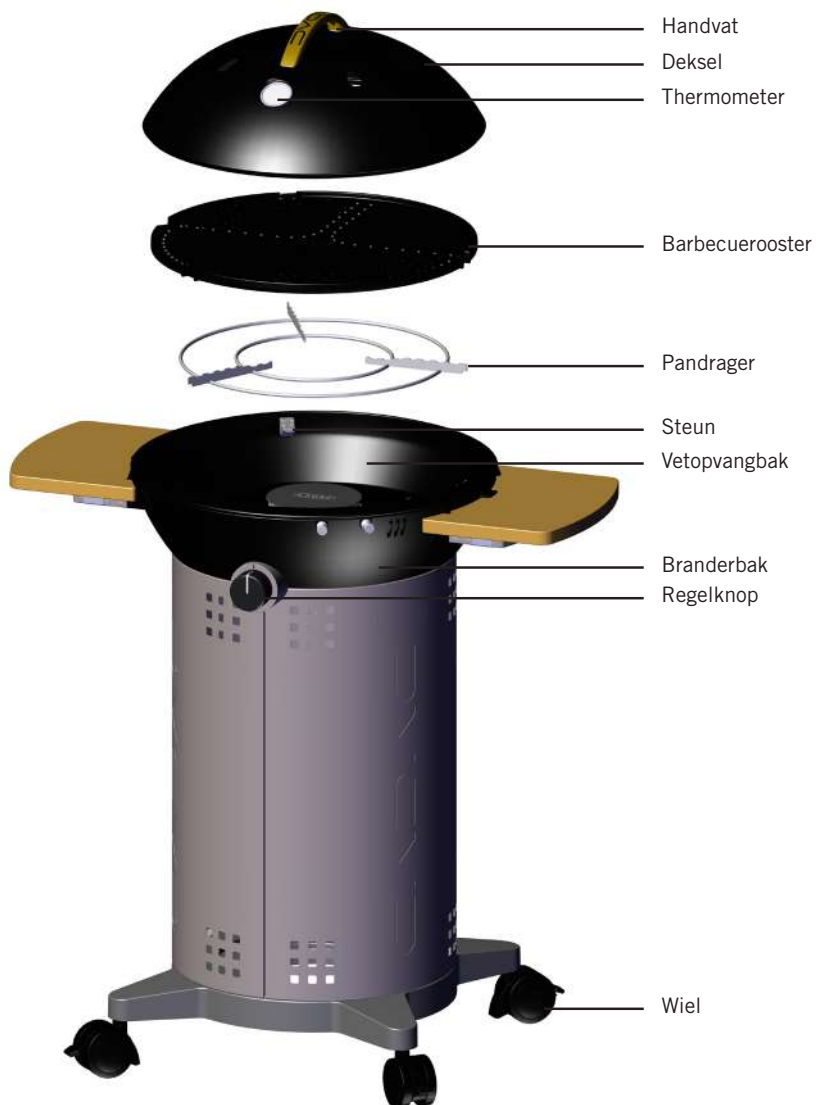
Afb. 3



Afb. 4

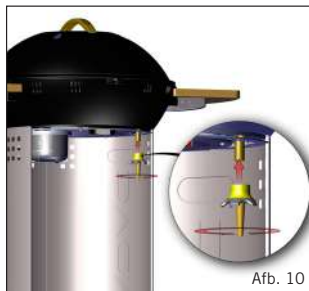
4. Combinaties

Citi Chef 50 BBQ Combo (productcode: 20162-20)



5. De slang en gasfles plaatsen en vervangen

- **LET OP!** Houd bij het aandraaien van de sluitstukmoer het sluitstuk recht om gaslekken te voorkomen. Draai de moer aan met een passende moersleutel (afbeelding 10).
- Apparaatcategorieën I 3B/P (30), I 3B/P (37) en I 3+ (28-30/37): bevestig het ventielsluitstuk door het linksom op het ventiel te schroeven. Schuif een goedgekeurde slang over het sluitstuk totdat de slang goed vastzit. Aan de andere kant, bevestig een geschikte lage drukregelaar (I3B / P (30): 30mbar Butaan / Propana configuraties regelgever; I3 + (28-30/37): 30mbar Butaan regelaar of 37 mbar propana regulator); I3B / P (37) : 37 mbar butaan / propana configuraties toezichhouders). Controleer opnieuw of de slang goed vastzit. Het type slang wordt gebruikt moet voldoen aan de relevante EN-norm en zoek eis. In Zuid-Afrika dient de gebruikte drukregelaar te voldoen aan SANS 1537.
- Apparaatcategorie I 3B/P (50): schroef een slang, met de correcte draadfittingen aan elk uiteinde, op de linker 1/4" BSP-fitting van het ventiel. Bevestig een geschikte 50 mbar lage drukregelaar aan het andere uiteinde van de slang. De gebruikte slang moet voldoen aan de DIN 4815 deel 2 of gelijkwaardig.
- De slang mag niet korter zijn dan 800 mm en niet langer dan 1,5 m. Controleer de vervaldatum op de slang en vervang indien nodig of wanneer dat overeenkomstig nationale wetgeving is vereist.
- Draai de slang niet en zorg dat deze niet beklemd raakt. Voorkom dat de slang in aanraking komt met onderdelen die tijdens gebruik van het apparaat heet worden.
- Controleer voordat u de drukregelaar aansluit op een gasfles of de rubberen pakking van de drukregelaar goed geplaatst is en in goede staat verkeert. Doe dit telkens wanneer u de drukregelaar aansluit en voor elk gebruik.
- Voordat u de gasfles aansluit, dient u ervoor te zorgen dat alle ventielen in de "UIT"-stand staan door de regelknop tot de stop naar rechts te draaien.
- Plaats of vervang de gasfles altijd in een goed geventileerde ruimte, bij voorkeur buiten, uit de buurt van mogelijke ontstekingsbronnen, zoals open vuur en radiatoren, en niet in de buurt van andere mensen.
- Zorg dat de gasfles rechtop staat en draai de drukregelaar goed vast op de gasfles. Draai de drukregelaar alleen met de hand vast.
- Als het apparaat gas lekt (gaslucht), draait u onmiddellijk het ventiel op de gasfles dicht en volgt u de procedure voor het vaststellen en stoppen van een lek in sectie 3. Als u het apparaat wilt controleren op lekkage, doet u dit buiten met behulp van zeepwater dat u aanbrengt op de aansluitingen. De vorming van belletjes duidt op een gaslek.
- Zorg ervoor dat alle aansluitingen goed vastzitten en controleer dit opnieuw met zeepwater. Gebruik het apparaat niet als u het gaslek niet kunt herstellen. Neem contact op met uw lokale CADAC-leverancier voor hulp.
- Wanneer u de gasfles wilt verwisselen, draait u eerst het ventiel op de fles dicht (indien aanwezig). Draai vervolgens de regelknop naar rechts tot de stoppositie.
- Controleer of de vlam uit is en schroef dan de drukregelaar los. Plaats een volle gasfles. Neem daarbij de hierboven beschreven voorzorgsmaatregelen in acht.



Afb. 10

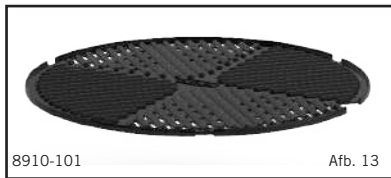
6. Het apparaat aansteken

Voorzorgsmaatregelen bij het aansteken.

- Als het apparaat langere tijd niet is gebruikt, controleert u de luchttoevoeropeningen van het ventiel op insecten die de gastoevoer kunnen belemmeren. Controleer ook de inlaat van de Venturi op insecten. Monteer na controle alle onderdelen weer in de voorgeschreven positie.
- **Gebruik het apparaat alleen op een stevige, vlakke ondergrond.**
Gebruik van de regelknop
De regelknop is uitgerust met twee positieve stopposities, één bij Laag en één bij Aansteken/Hoog. De vlam kan tussen deze twee punten worden afgesteld.
Aansteken met behulp van de piëzo-ontsteking
- Als u het apparaat wilt aansteken met de piëzo-ontsteking, drukt u de regelknop in en draait u die linksom totdat u een klik hoort. Als het gas niet bij de eerste vonk ontbrandt, drukt u de regelknop in en draait u deze volledig naar rechts. Probeer het opnieuw door de regelknop in te drukken en deze naar links te draaien totdat u een klik hoort. Als het gas niet binnen twee of drie seconden ontbrandt, sluit u de regelklep door de regelknop in te drukken en deze volledig naar rechts te draaien. Wacht ongeveer dertig seconden om het gas dat zich in de branderbak heeft verzameld, te laten ontsnappen. Herhaal zo nodig de bovenstaande procedure totdat de vlam ontbrandt. De vlam moet binnen een of twee seconden ontbranden.
Aansteken met behulp van een barbecueaansteker
- Bij koud starten kan het apparaat aan de bovenzijde worden aangestoken voordat de gewenste kookplaat wordt bevestigd aan de vlotvangbak. Als het apparaat heet is wanneer u het aansteekt, is het beter de barbecueaansteker door een van de ventilatiegaten aan de onderkant van de brander te steken tot naast de brander (steek de barbecueaansteker NIET door de grote opening direct onder de brander). Doe de barbecueaansteker aan. Druk, terwijl de aansteker aan is, de regelknop in en draai deze naar rechts om de brander aan te steken.
Algemeen
- Nadat het apparaat is aangestoken, kan de vlamintensiteit worden aangepast. Draai de regelknop naar links voor een lagere vlam of naar rechts voor een hogere vlam.
- De volledig gesloten positie bevindt zich uiterst rechts. Als u het ventiel uit de volledig gesloten positie wilt draaien, moet u de knop eerst ver genoeg indrukken om de vergrendeling op te heffen. Houd de knop ingedrukt en draai die naar links. Wanneer de vergrendeling eenmaal is opgeheven, hoeft u de regelknop niet meer ingedrukt te houden en kunt u die naar de gewenste vlaminstelling draaien.

- Bij het bereiden van voedsel met een hoog vetgehalte kan de vlam oplaaien als de geselecteerde hitte-instelling te hoog is. Als dit gebeurt, draait u de vlam lager totdat die niet meer oplaait.
- Verplaatst het apparaat niet wanneer het in gebruik is. Dit is niet alleen gevaarlijk, maar kan ook het oplaaien van de vlam veroorzaken.
- Draai na gebruik eerst het ventiel op de gasflus dicht (indien van toepassing). Wanneer de vlam gedoofd is, sluit u het ventiel van het apparaat door de regelknop in te drukken en deze helemaal naar rechts te draaien.

7. Gebruik van het apparaat en de kookplaten



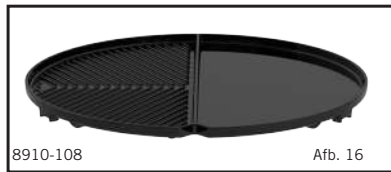
Barbecuerooster (Afb. 13)

- Het barbecuerooster rust op drie gietaluminium steunen in de vetopvangbak (afb.11).
- Verkrijgbaar als extra accessoire en reserveonderdeel.
- Kookplaat met keramische coating.
- Gebruik geen metalen keukengerei omdat u daarmee de coating permanent beschadigt.
- Ideaal voor het grillen van vlees, vis, kip en groenten.
- Een handige draagtas wordt meegeleverd met deze kookplaat.
- **WAARSCHUWING:** De plaat kan erg heet zijn. Gebruik daarom een ovenwant.



Chef Pan (Afb. 15)

- De Chef Pan rust op drie gietaluminium steunen in de vetopvangbak (afb.11).
- Verkrijgbaar als extra accessoire en reserveonderdeel (niet meegeleverd).
- Kookplaat met keramische coating.
- Gebruik geen metalen keukengerei omdat u daarmee de antiaanbaklaag permanent beschadigt.
- **WAARSCHUWING:** laat bij voorverwarmen de Chef Pan niet langer dan 15 minuten met gesloten deksel op een hoge vlam staan, omdat u hiermee de antiaanbaklaag en de plaat kunt beschadigen.
- **WAARSCHUWING:** De pan kan erg heet zijn. Gebruik daarom een ovenwant.



BBQ @ Plancha (Afb. 16)

- Ideaal voor het bereiden van 2 verschillende gerechten dankzij half BBQ rooster en halve plancha.
- Verkrijgbaar als extra accessoire en reserveonderdeel (niet meegeleverd).
- De keramische gecoate top is gemakkelijk te gebruiken en schoon te maken.
- Een handige draagtas is inbegrepen.
- **WAARSCHUWING:** De plaat kan erg heet zijn. Gebruik daarom een ovenwant.



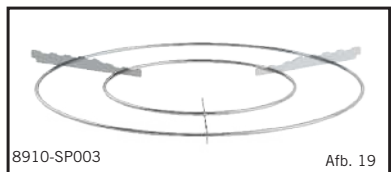
Braadpan (Afb. 17)

- Verkrijgbaar als extra accessoire en reserveonderdeel (niet meegeleverd).
- Met porselein geëmailleerde coating.
- Ideaal voor het bereiden van gebraden kip, lamsvlees, groenten, enzovoort.
- **WAARSCHUWING:** De pan kan erg heet zijn. Gebruik daarom een ovenwant.



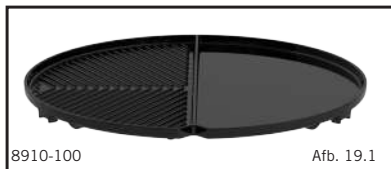
Pizzasteen (Afb. 18)

- Verkrijgbaar als extra accessoire en reserveonderdeel (niet meegeleverd).
- 10 mm dikke stenen bakplaat, bestand tegen temperaturen tot 500°C
- Inclusief vernikkelde houder.
- **WAARSCHUWING:** De steen kan erg heet zijn. Gebruik daarom een ovenwant.



Pandrager (Afb. 19)

- Vernikkelde pandrager geschikt voor de meeste standaard panmaten.
- Verkrijgbaar als extra accessoire en reserveonderdeel.
- **WAARSCHUWING:** De pandrager kan erg heet zijn. Gebruik daarom een ovenwant.



8910-100

Afb. 19.1

Grill2Braai (Afb. 19.1)

- Verkrijgbaar als extra accessoire en reserveonderdeel (niet meegeleverd).
- De Grill2Braai rust op drie gietaluminium steunen in de vetvangbak (afb.11)
- Kookplaat met keramische coating.
- Gebruik geen metalen keukengerei omdat u daarmee de coating permanent beschadigt.
- Het vlakke deel van de plaat is ideaal voor het bereiden van vis, gebakken eitjes met spek en pannenkoeken; het geribbelde deel is uitstekend geschikt voor het grillen van vlees, vis, kip en groenten.
- Een handige draagtas wordt meegeleverd met deze kookplaat.
- **WAARSCHUWING:** De plaat kan erg heet zijn. Gebruik daarom een ovenwant.

- **BELANGRIJK!** Gebruik uitsluitend de daarvoor bedoelde CADAC-kookplaten om uw garantie te behouden.
- **LET OP!** Gebruik altijd de deksel als windscherm als u het apparaat gebruikt bij minderig weer.

8. Algemeen onderhoud

- De verantwoordelijkheid voor het onderhoud van dit apparaat berust vanaf de aankoopdatum uitsluitend bij de consument. Dit apparaat behoeft geen gepland onderhoud.
Een verstopte straalpijp vervangen
- De Citi Chef is uitgerust met een specifieke straalpijp voor het reguleren van de gastoevoer.
- Wanneer de opening in de straalpijp verstopt raakt, kan dit resulteren in een kleine vlam of helemaal geen vlam. Probeer de straalpijp niet met een pin of soortgelijk instrument te reinigen. Dit kan de opening beschadigen waardoor het apparaat onveilig kan worden.
- **De inspuiter kan als volgt worden vervangen:** Gebruik de hendel om het achterpaneel te verwijderen (Fig 20). Verwijder de deksel, het BBQ rooster, de pandrager en alle andere losse onderdelen van het apparaat. Schroef nu de 3 schroeven los aan de onderkant van het apparaat (Fig 21), hierdoor komt de brander los. Verwijder de brander door hem voorzichtig op te tillen (Fig 22). **LET OP:** de brander zit vast middels de piezodraad. Trek de brander er niet zomaar uit, dan zal de piezodraad losraken van het apparaat. Leg de brander voorzichtig aan de kant, zodat de inspuiter zichtbaar wordt (Fig 23). De inspuiter kan nu worden verwijderd met een passende moersleutel. Gebruik geen tang om de inspuiter te verwijderen, hierdoor kan er schade ontstaan waardoor de inspuiter onbruikbaar wordt of zelfs niet meer te verwijderen is. Schroef de nieuwe inspuiter op de gaskraan. Draai deze niet te vast aan om beschadiging te voorkomen.
- Voer de procedure in omgekeerde volgorde uit om het apparaat weer in elkaar te zetten.
De slang vervangen
- Het aanbrengen van de slang is beschreven in sectie 5 - De slang en gasfles plaatsen en vervangen.



Fig. 20

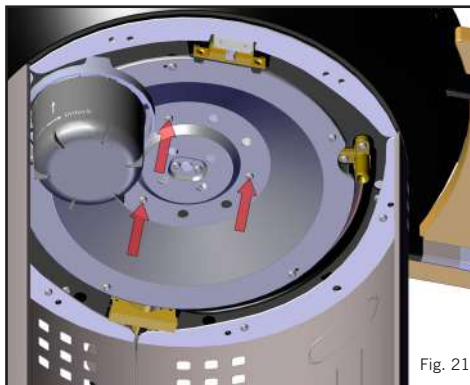


Fig. 21

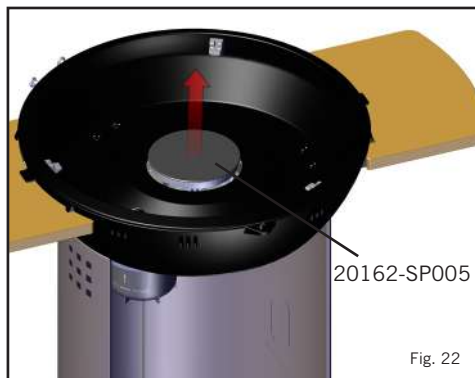


Fig. 22

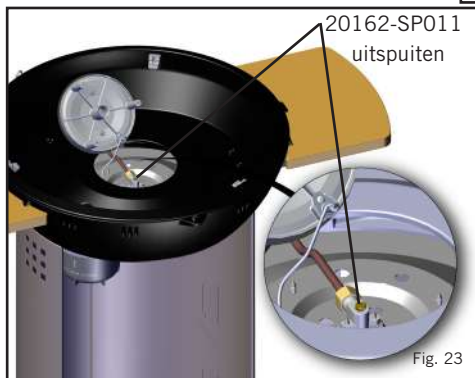


Fig. 23

9. Reinigen

- **Let op:** zie sectie 7 voor onderdelen
- **Barbecue:** verwijder het vet uit de sleuf onderaan de vetopvangbak en reinig zoals beschreven voor de Skottel BBQ. Reinig het rooster en de deflectorplaat in warm water met een niet schurend schoonmaakmiddel nadat u achtergebleven vetresten heeft weggeveegd.
- **Barbecuedeksel:** reinig de barbecuedeksel in warm water met een geschikt, niet schurend schoonmaakmiddel. Gebruik geen scherpe metalen voorwerpen of schuurmiddelen, omdat u hiermee de beschermlaag beschadigt.
- **Let op:** hardnekkige vlekken kunt u verwijderen met ovenreiniger.
- Onderhoud kookplaten met een keramische coating
- De kookplaten zijn voorzien van CADAC GreenGrill keramische coating. Keramische coating wordt gebruikt op het beste kookgerei ter wereld. Goed onderhoud draagt bij aan verlenging van de levensduur van de coating, zodat u jarenlang gezond en gemakkelijk blijft koken zonder aanbakken.
- Kook alleen op laag of middelhoog vuur om de waardevolle voedingsstoffen van uw gerechten te behouden en de coating te beschermen.
- De coating kan gemakkelijk beschadigd raken door het gebruik van metalen kookmaterialen.
- **LET OP! Het is raadzaam bij het koken uitsluitend gebruik te maken van kunststof of houten kookmaterialen.**
- Voorkom oververhitting van de coating en vet de kookplaat voor gebruik altijd in met wat olie.
- **Laat de kookplaat altijd afkoelen voordat u deze onderdompelt in water.**
- De kookplaat met keramische coating is geschikt voor de vaatwasser, maar is niet zo makkelijk schoon te maken met wat afwasmiddel en een zachte spons. **Het gebruik van schuurmiddelen wordt afgeraden, omdat u daarmee de coating permanent beschadigt.**
- Vet de kookplaat na het schoonmaken lichtjes in met plantaardige olie.
- Verwijder na elk gebruik het vet uit de vetopvangbak en reinig zoals hierboven beschreven.

10. Opbergen en transport

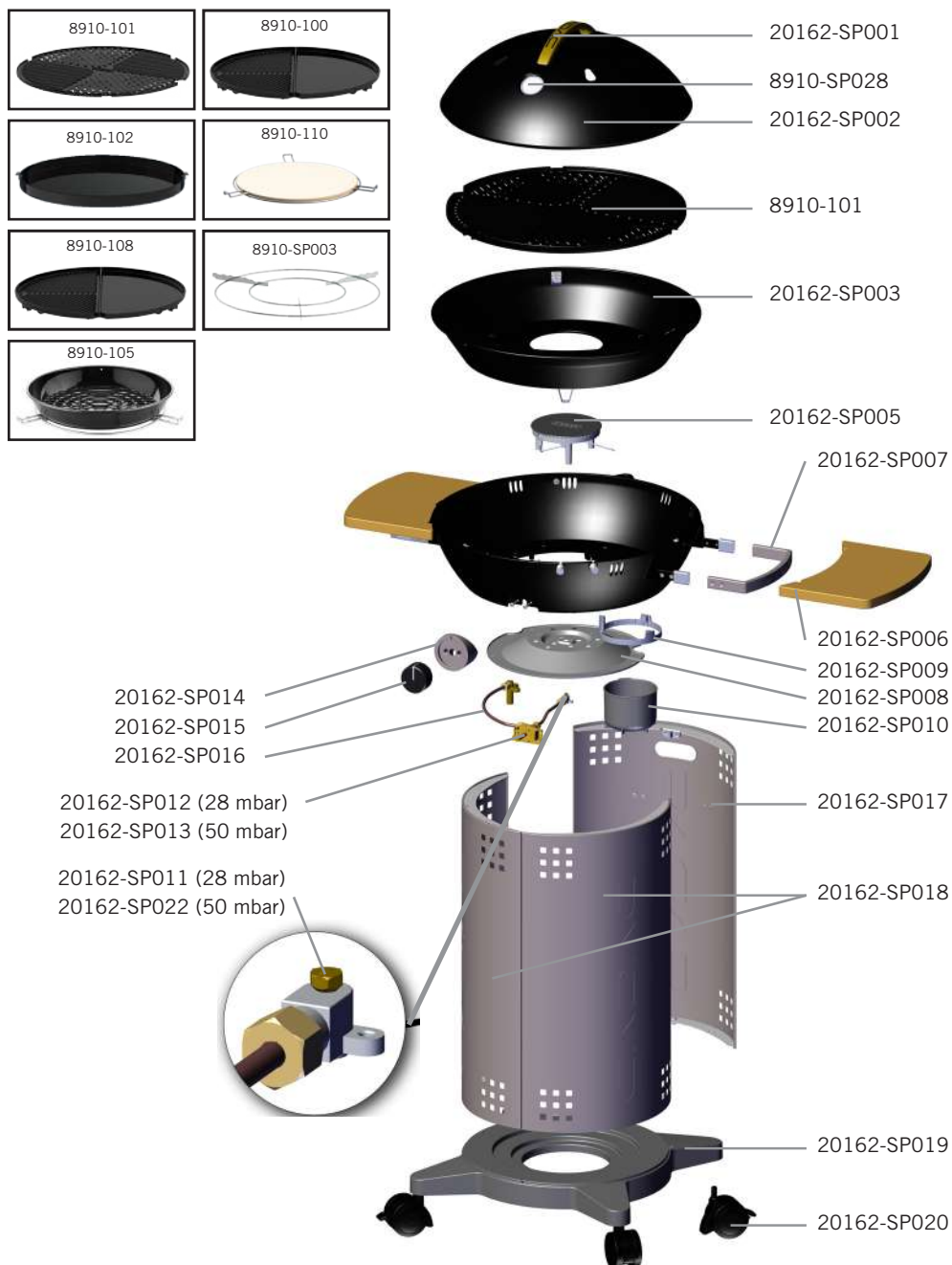
- Als het apparaat na te zijn opgeslagen een afwijkende werking vertoont, voert u de controles in secties 5 & 8 uit. Als u het probleem daarmee niet kunt verhelpen, is mogelijk de Venturi verstopt. Een verstopte Venturi wordt gekenmerkt door een zwakke, gelige vlam of, in uitzonderlijke gevallen, door het uitblijven van een vlam. Onder deze omstandigheden is het noodzakelijk dat u de brander verwijdt zoals beschreven in sectie 8 - Algemeen onderhoud. Controleer en verwijder zorgvuldig eventuele stof of insecten uit de venturi.

11. Het apparaat terugsturen voor reparatie of service.

- Breng zelf geen wijzigingen aan in het toestel. Dit kan gevaarlijk zijn.
- Als het niet lukt de problemen volgens de instructies op te lossen, neemt u contact op met uw plaatselijke CADAC-leverancier voor informatie over het terugsturen van het product.
- Voor uw CADAC Citi Chef geldt een CADAC-fabrieksgarantie van 5 jaar.

12. Reserveonderdelen en accessoires

- Gebruik altijd originele CADAC-reserveonderdelen omdat deze gemaakt zijn om het apparaat optimaal te laten functioneren.



AVERTISSEMENT

Cet appareil ne doit être utilisé qu'à l'extérieur.

Cet appareil ne peut pas être utilisé sur un balcon extérieur clos, sous un porche ou dans un espace de loisirs.



IMPORTANT

Lire attentivement les présentes instructions d'utilisation afin de vous familiariser avec l'appareil avant de le raccorder à sa bouteille de gaz. Conserver ces instructions pour référence ultérieure.

1. Introduction

- Cet appareil a été conçu pour la cuisine en extérieur, en particulier sur une terrasse.
- De nombreux aliments peuvent être cuisinés grâce à cet appareil. Le Citi Chef 50 peut accueillir différentes surfaces de cuisson.
- Le barbecue est alimenté en gaz via un tuyau et un détendeur (non fournis avec l'appareil). Ceux-ci sont ensuite raccordés à une bouteille de gaz (non fournie avec l'appareil).
- L'appareil est facile à allumer et à utiliser (voir la section 6) et l'utilisateur peut régler la chaleur produite grâce à une valve réglable.

2. Informations générales

- Cet appareil est conforme aux normes EN498:2012, EN484:1997 et SANS 1539:2012.
- Cet appareil ne doit être utilisé qu'avec un tuyau et un détendeur homologués (fournis avec l'appareil en Afrique du Sud).
- Attention : les parties accessibles peuvent être extrêmement chaudes. Tenir les jeunes enfants à l'écart.
- L'appareil doit uniquement être utilisé avec une bouteille de gaz ne dépassant pas 50cm de haut et 350cm de large.
- Pour des performances optimales et pour la sécurité des utilisateurs et des autres personnes à proximité immédiate, les appareils à gaz nécessitent une ventilation. Pour cette raison, ne pas utiliser l'appareil dans un endroit non ventilé. Cet appareil doit être utilisé uniquement à l'extérieur.
- Lire attentivement les présentes instructions afin de vous familiariser avec l'appareil.
- Utiliser à l'extérieur uniquement.

Pays d'utilisation	BE, CH, CY, CZ, ES, FR, GB, GR, IE, IT, LT, LU, LV, PT, SK & SI	PL	BE, CY, DK, EE, FI, HU, IT, LT, NL, NO, SE, SI, SK, RO, HR, TR, BG, IS, LU, MT, & ZA	AT, CH, DE & SK	
Catégories d'appareils	I ₃₊ (28-30/37)		I _{3B/P} (37)	I _{3B/P} (30)	I _{3B/P} (50)
Gaz admissibles	Butane-G30	Propane-G31	Butane-G30, Propane-G31 ou leurs mélanges		
Pression de service	28-30 mbar	37 mbar	37 mbar	28-30 mbar (Afrique du Sud 2.8 kPa)	50 mbar
Calibre d'injecteur	0.95		0.91	0.95	0.85
Consommation nominale	270 g/h				
Apport nominal brut de chaleur	3.7 kW				

Sources d'alimentation en gaz	Un tuyau et un détendeur homologués et raccordés à une bouteille de gaz rechargeable d'un poids maximal de 9 kg et conforme à la réglementation locale en vigueur
-------------------------------	---

Nom de pays et abréviations				
AE = Émirats arabes unis	AL = Albanie	AT = Autriche	BE = Belgique	CH = Suisse
CZ = République tchèque	DE = Allemagne	DK = Danemark	ES = Espagne	FI = Finlande
FR = France	GB = Royaume-Uni	GR = Grèce	HR = Croatie	IT = Italie
JP = Japon	KR = Corée	NL = Pays-Bas	NON = Norvège	PL = Pologne
PT = Portugal	RO = Roumanie	RU = Russie	RS = Serbie	SI = Slovénie
SK = Slovaquie	SE = Suède	TR = Turquie	ZA = Afrique du Sud	

3. Informations relatives à la sécurité

Tuyau

- **Cet appareil doit être utilisé à l'extérieur uniquement.**
- Un tuyau et un détendeur sont fournis avec l'appareil (pour l'Afrique du Sud uniquement)
- L'état d'usure et de détérioration du tuyau doit être vérifié avant chaque utilisation et avant de raccorder la bouteille de gaz.
- Ne pas utiliser l'appareil si le tuyau est endommagé ou usé. Remplacer le tuyau.
- Ne pas utiliser l'appareil s'il est endommagé, s'il fuit ou s'il ne fonctionne pas correctement.

Bouteille de gaz

- N'utiliser qu'une bouteille approuvée par la réglementation de votre pays.
- Veiller à installer ou à remplacer la bouteille de gaz dans un espace bien ventilé, de préférence à l'extérieur et à l'écart d'autres personnes, loin de toutes sources inflammables telles que des flammes nues, des veilleuses, des cheminées électriques.
- Maintenir les bouteilles de gaz à l'abri de la chaleur et des flammes. Ne pas les placer sur un fourneau ou toute autre surface chaude.
- Les cartouches ou les bouteilles de gaz doivent être utilisées en position debout uniquement pour garantir la bonne circulation du gaz. En cas contraire, du gaz sous forme liquide peut s'échapper de la bouteille et entraîner un fonctionnement dangereux.
- Ne pas essayer de retirer la bouteille de gaz alors que l'appareil fonctionne.
- La bouteille de gaz doit être déconnectée de l'appareil après utilisation ou pour le stockage.

Montage et utilisation

- Utiliser cet appareil uniquement sur une surface plane et stable.
- Ne pas déplacer l'appareil alors qu'il fonctionne.
- Si l'écran thermique, le collecteur de graisse ou la cuve du brûleur sont endommagés de telle sorte qu'en cours d'utilisation il y a un contact permanent entre l'écran thermique et le collecteur de graisse, ne pas utiliser l'appareil. Le retourner à votre distributeur Cadac pour réparation.
- Veiller à utiliser l'appareil loin de tout matériau inflammable. Les distances minimales de sécurité sont de 1,2 m au-dessus de l'appareil et de 60 cm à l'arrière et sur les côtés de l'appareil (voir Fig. 2).
- **Avertissement:** lors de l'utilisation de l'appareil, nous recommandons d'utiliser des gants de protection pour retirer et mettre en place le dôme, qui peut devenir chaud.
- **Avertissement:** des pièces accessibles peuvent devenir très chaudes, nous recommandons d'utiliser des gants de protection.
- Tenir les jeunes enfants à l'écart de l'appareil.
- Utiliser à l'extérieur uniquement.
- **ATTENTION!** Si l'appareil est utilisé alors qu'il y a du vent, le dôme doit être utilisé comme pare-vent et positionné tel qu'indiqué sur la Fig. 4.

Retour de flamme

- Si un retour de flamme se produit (la flamme remonte dans le brûleur ou le logement du diffuseur), couper immédiatement l'alimentation en gaz en fermant d'abord le robinet de régulation de la bouteille de gaz, puis le robinet de l'appareil. Une fois la flamme éteinte, retirer le détendeur et vérifier l'état du joint ; en cas de doute, remplacer le joint. Rallumer l'appareil tel qu'indiqué au chapitre 6 ci-dessous. Si le retour de flamme se reproduit, renvoyer le produit à votre centre de réparation CADAC agréé.

Fuites

- Si l'appareil présente une fuite (odeur de gaz), fermer immédiatement le robinet de la bouteille de gaz. Tout contrôle de la présence de fuites sur l'appareil doit s'effectuer à l'extérieur. Ne pas essayer de détecter la présence de fuites à l'aide d'une flamme, utiliser de l'eau savonneuse.
- La bonne méthode consiste à enduire les joints d'eau savonneuse. Si une ou plusieurs bulles se forment, il y a une fuite de gaz. Couper immédiatement l'alimentation en gaz en fermant le robinet de régulation de la bouteille de gaz puis le robinet de l'appareil. Vérifier que tous les raccordements sont correctement établis. Vérifier à nouveau à l'aide d'eau savonneuse. S'il y a toujours une fuite de gaz, retourner le produit à votre distributeur CADAC pour inspection / réparation.
- Vérifier s'il y a des fuites au niveau de l'about à côté de la valve de l'appareil et au niveau du détendeur de la bouteille de gaz, avec le gaz ouvert sur la bouteille mais fermé sur l'appareil.



Fig. 1

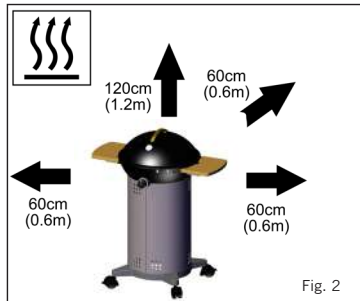


Fig. 2

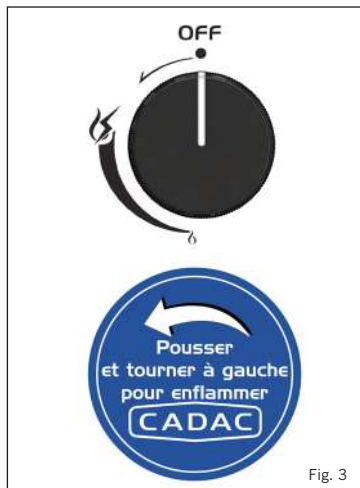


Fig. 3

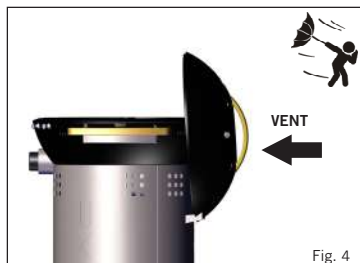


Fig. 4

4. Combinaisons

Citi Chef 50 barbecue (code produit : 20162-20)

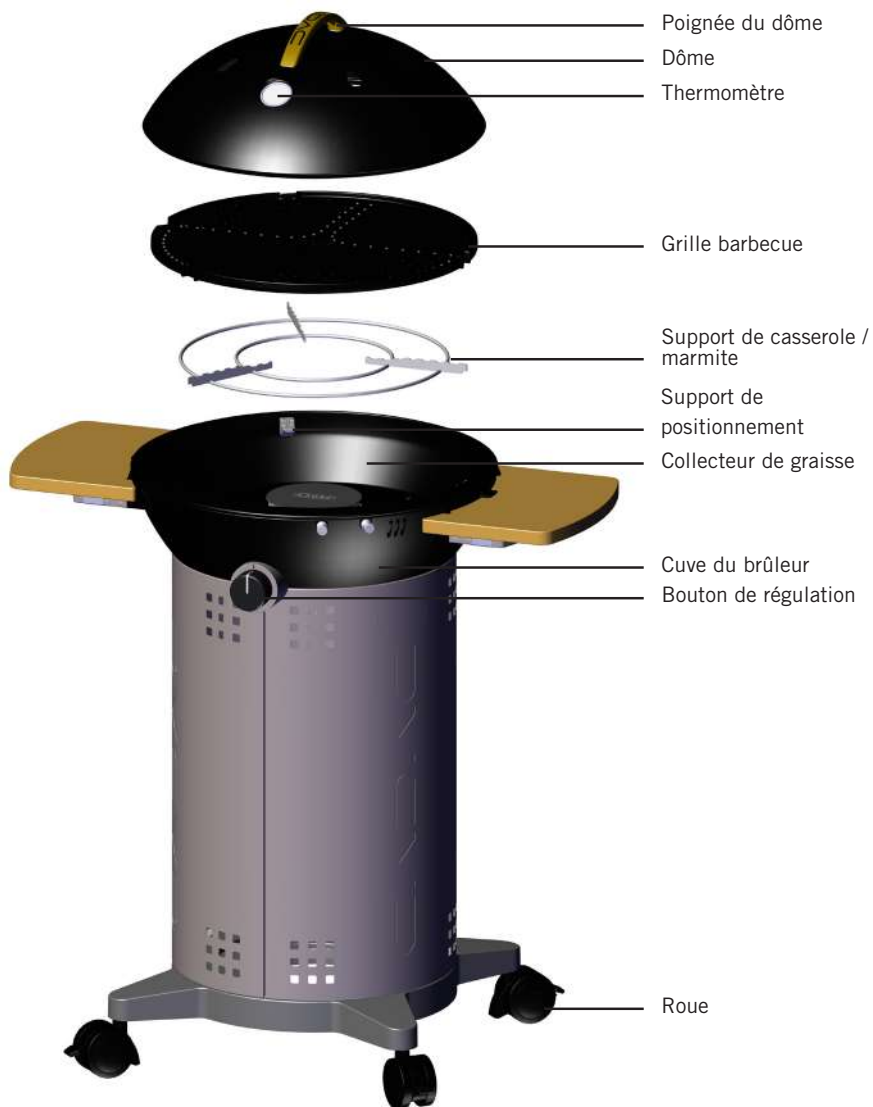


Fig. 6a

5. Installation et remplacement du tuyau et de la bouteille de gaz

- **ATTENTION !** Lors de l'installation de l'about, veiller à ce qu'il soit bien droit lors du serrage de son écrou, afin d'éviter toute fuite de gaz. Serrer à l'aide d'une clé adaptée. (Fig. 10)
- Catégories d'appareils I 3B/P (30), I 3B/P (37) et I 3+ (28-30/37) : placer l'about de valve sur la valve en le vissant dans le sens antihoraire. Enfoncer un tuyau homologué sur l'about de valve jusqu'à ce qu'il soit bien en place. À l'autre extrémité, fixez un régulateur de pression approprié basse (I3B / P (30): 30 mbar Butane / Propane régulateur de configurations; I3 + (28-30/37): Butane 30mbar régulateur ou régulateur de propane 37mbar); I3B / P (37) : Butane 37mbar / configurations propane régulateurs), en veillant toujours à enfoncer le tuyau bien en place. Le type de tuyau utilisé doit être conforme à la norme EN et localiser exigence. En Afrique du Sud, le détendeur utilisé doit être conforme à SANS 1537.
- Catégorie d'appareils I 3B/P (50) : visser un tuyau doté des bons raccords filetés à chaque extrémité sur le filetage inversé ¼" BSP de la valve. Raccorder un détendeur basse pression 50 mbar adapté à l'autre extrémité du tuyau. Le tuyau utilisé doit être conforme à la norme DIN 4815 partie 2 ou équivalent.
- La longueur du tuyau doit être comprise entre 80 cm et 1,50 m. Vérifier la date d'expiration du tuyau et le remplacer au besoin ou lorsque les réglementations nationales le nécessitent.
- Ne pas tordre ni pincer le tuyau. Veiller à ce que le tuyau ne rentre pas en contact avec une surface qui chauffe lors de l'utilisation.
- Avant de raccorder l'appareil à une bouteille de gaz, vérifier que le joint du détendeur est bien positionné et en bon état. Cette vérification doit être effectuée à chaque raccordement et avant chaque utilisation.
- Avant de raccorder la bouteille de gaz, s'assurer que tous les robinets sont en position « OFF » (Arrêt), en tournant le bouton de régulation dans le sens horaire jusqu'en butée.
- Veiller à installer ou à remplacer la bouteille de gaz dans un espace bien ventilé, de préférence à l'extérieur et à l'écart d'autres personnes, loin de toute source d'inflammation comme des flammes nues ou des cheminées électriques.
- S'assurer que la bouteille de gaz est bien debout et visser à fond – à la main – le détendeur sur la bouteille.
- Si votre appareil présente une fuite (odeur de gaz), fermer immédiatement le robinet de la bouteille de gaz et suivre la procédure de détection et de réparation d'une fuite décrite à la section 3. Tout contrôle de la présence de fuites sur l'appareil doit s'effectuer à l'extérieur à l'aide d'eau savonneuse appliquée sur les joints. Une formation de bulles indique une fuite de gaz.
- Vérifier que tous les raccordements sont convenablement établis et contrôler à nouveau avec de l'eau savonneuse. Si la fuite de gaz ne peut être éliminée, ne pas utiliser l'appareil. Contacter votre distributeur CADAC local.
- Lors du changement de la bouteille de gaz, commencer par fermer le robinet de la bouteille (le cas échéant), puis tourner le bouton de régulation dans le sens horaire jusqu'en butée.
- Vérifier que la flamme est bien éteinte, puis dévisser le détendeur. Installer une bouteille pleine en suivant les mêmes précautions que décrites précédemment.

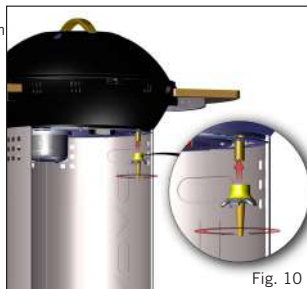
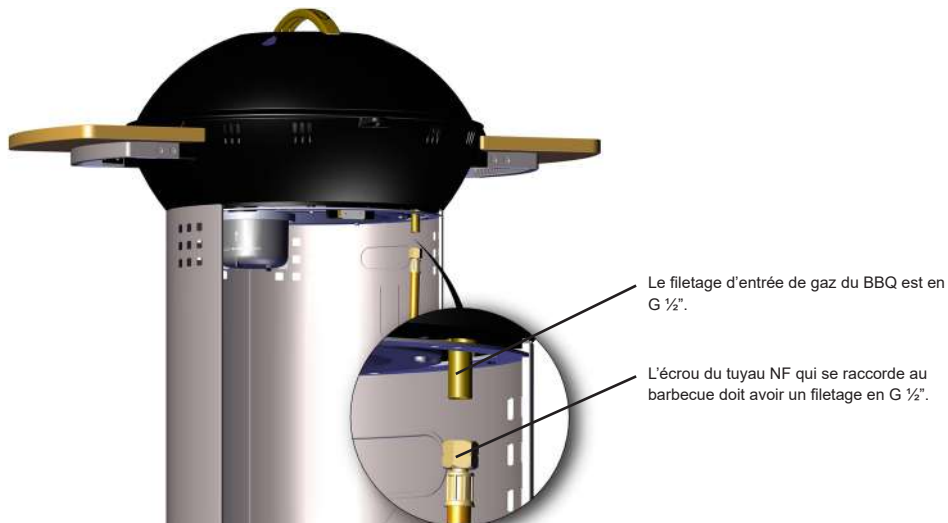


Fig. 10

FR système

- Les BBQ dont les codes se terminent par l'abréviation FR sont équipés d'un raccord de gaz ½".
- Pour utiliser un de ces barbecues, il suffit de raccorder un tuyau de gaz NF en G ½" (non fourni – disponible dans la plupart des commerces) directement au raccord de gaz de l'appareil.
- **Important:** avant chaque utilisation, assurez-vous que la connexion (BBQ - tuyau) soit exempte de fuites de gaz en effectuant un test de fuite de gaz.

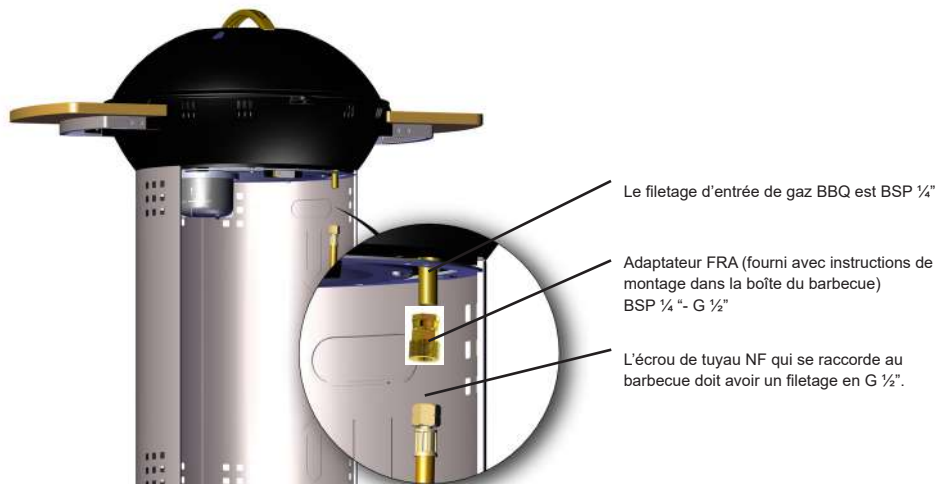


Le filetage d'entrée de gaz du BBQ est en G ½".

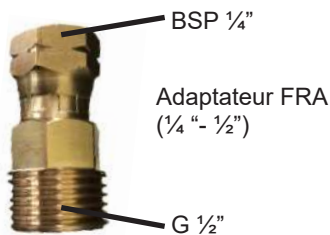
L'écrou du tuyau NF qui se raccorde au barbecue doit avoir un filetage en G ½".

FRA système

- Les BBQ dont les codes se terminent par l'abréviation FRA sont équipés d'un raccord de gaz 1/4".
- Pour utiliser un de ces barbecues, il suffit d'installer l'adaptateur fourni avec instructions de montage au raccord de gaz de l'appareil afin de pouvoir y raccorder ensuite directement un tuyau de gaz NF en G 1/2" (non fourni – disponible dans la plupart des commerces).
- **Important:** avant chaque utilisation, assurez-vous que les connexions (BBQ – adaptateur et BBQ - tuyau) soient exemptes de fuites de gaz en effectuant un test de fuite de gaz.



357-FRA



6. Allumage de l'appareil

Précautions à observer avant l'allumage.

- Après un stockage prolongé, inspecter les orifices d'admission d'air du boîtier de valve, pour voir s'il y a des insectes qui affectent le débit de gaz. Inspecter l'entrée du diffuseur à la recherche d'insectes. Après inspection, remplacer tous les composants dans leur position prescrite.
- Utiliser cet appareil uniquement sur une surface plane et stable.**

Utilisation du bouton de régulation

Le bouton de régulation est doté de deux positions de butée : l'une à feu bas, l'autre en position d'allumage / feu fort. L'ajustement de la flamme est limité entre ces deux positions.

Allumage à l'aide de l'allumeur piézo-électrique

- Pour allumer l'appareil à l'aide de l'allumeur piézo-électrique, enfoncer et tourner le bouton de régulation dans le sens antihoraire jusqu'à entendre un clic. Si le gaz ne s'enflamme pas dès la première étincelle, enfoncer à nouveau le bouton et le tourner à fond dans le sens horaire. Réessayer, en enfonçant et en tournant le bouton de régulation dans le sens antihoraire jusqu'à entendre un clic. Si le gaz ne s'est pas enflammé dans les deux ou trois premières secondes, fermer la valve en enfonçant le bouton de régulation et en le tournant à fond dans le sens horaire. Attendre environ trente secondes pour laisser s'échapper le gaz qui s'est accumulé dans la cuve du brûleur. Répéter le processus décrit précédemment, si nécessaire, jusqu'à ce que le gaz s'enflamme. La flamme doit normalement apparaître dans les deux premières secondes.

Allumage à l'aide d'un allume-barbecue

- Pour un allumage à froid, l'appareil peut être allumé par le dessus avant installation de la surface de cuisson désirée sur le collecteur de graisse. Pour allumer l'appareil déjà chaud, il est recommandé d'insérer un allume-barbecue dans l'un des trous de ventilation situés sous le brûleur, et de l'aligner avec le brûleur (NE PAS passer l'allume-barbecue par le grand trou situé directement sous le brûleur). Allumer l'allume-barbecue. L'allume-barbecue étant allumé, enfoncer et tourner le bouton de régulation dans le sens antihoraire pour allumer le brûleur.

Généralités

- Une fois l'appareil allumé, l'intensité de la flamme peut être ajustée en tournant le bouton de régulation dans le sens antihoraire pour réduire la flamme, ou dans le sens horaire pour augmenter la flamme.
- Pour éteindre complètement, tourner à fond dans le sens horaire. Pour pouvoir tourner le bouton à partir de la position « valve complètement fermée », il faut d'abord enfoncer le bouton afin de libérer le mécanisme de verrouillage. Tout en maintenant le bouton enfoncé, tourner dans le sens antihoraire. Une fois le mécanisme de verrouillage libéré, il n'est plus nécessaire de maintenir enfoncé le bouton de régulation, celui-ci peut être tourné librement et placé dans la position correspondant au réglage de flamme souhaité.
- Lors de la cuisson d'aliments très gras, des montées de flammes peuvent se produire si le réglage de température est trop élevé. Dans ce cas, réduire la température jusqu'à ce qu'il n'y ait plus de montées de flammes.
- Ne pas déplacer l'appareil allumé, car en plus d'être dangereux, des montées de flammes peuvent se produire.
- Après utilisation, fermer en premier le robinet de la bouteille de gaz. Une fois la flamme éteinte, fermer la valve de l'appareil en enfonçant et en tournant le bouton de régulation à fond dans le sens horaire.

7. Utilisation de l'appareil et de ses surfaces de cuisson



Fig. 11



8910-101

Fig. 13

Grille barbecue (Fig. 13)

- La grille barbecue se place sur les trois supports de positionnement moulés du collecteur de graisse (Fig. 11).
- Disponible comme accessoire supplémentaire et comme pièce de rechange.
- Surface de cuisson avec revêtement antiadhérent.
- Ne pas utiliser d'ustensiles de cuisine en métal, qui endommageraient le revêtement antiadhérent.
- Idéale pour griller la viande, le poisson, le poulet et les légumes.
- Un sac de transport pratique est inclus avec cette surface de cuisson.
- ATTENTION** : nous recommandons d'utiliser des gants lors de la manipulation de la grille barbecue.

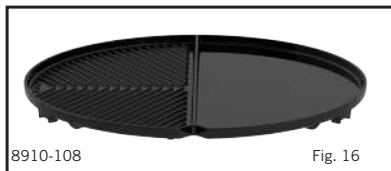


8910-102

Fig. 15

Plat "Chef" (non inclus) (Fig. 15)

- Le plat "Chef" se place sur les trois supports de positionnement moulés du collecteur de graisse (Fig. 11).
- Disponible comme accessoire supplémentaire et comme pièce de rechange.
- Surface de cuisson avec revêtement antiadhérent.
- Ne pas utiliser d'ustensiles de cuisine en métal, qui endommageraient le revêtement antiadhérent.
- ATTENTION** : lors du préchauffage, ne pas utiliser le plat "Chef" sur une grande flamme avec le dôme pendant plus de 15 minutes, car cela pourrait endommager le revêtement antiadhérent et le plat.
- ATTENTION** : nous recommandons d'utiliser des gants lors de la manipulation du plat "Chef".



8910-108

Fig. 16

BBQ2 Plancha (non incluse) (Fig. 16)

- Plaque de cuisson BBQ2Plancha donne une polyvalence maximale la grille BBQ d'un côté et la plancha lisse de l'autre.
- Disponible comme accessoire supplémentaire et comme pièce de rechange.
- Le revêtement antiadhésif en céramique facile à utiliser et à nettoyer.
- Un sac de transport pratique est inclus.
- **ATTENTION** : nous recommandons d'utiliser des gants lors de la manipulation de la plaque de cuisson BBQ2Plancha.



8910-105

Fig. 17

Rôtissoire (non incluse) (Fig. 17)

- Disponible comme accessoire supplémentaire et comme pièce de rechange.
- Surface de cuisson en émail.
- Idéale pour rôti du poulet, de l'agneau, des légumes, etc.
- **ATTENTION** : nous recommandons d'utiliser des gants lors de la manipulation de la rôtissoire.

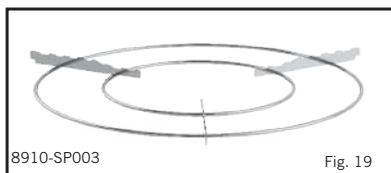


8910-110

Fig. 18

Pierre à pizza (non incluse) (Fig. 18)

- Disponible comme accessoire supplémentaire et comme pièce de rechange.
- Pierre de cuisson de 10 mm d'épaisseur résistant à une température de 500 °C maximum.
- Fournie avec un support en fil nickelé.
- **ATTENTION** : nous recommandons d'utiliser des gants lors de la manipulation de la pierre de cuisson.

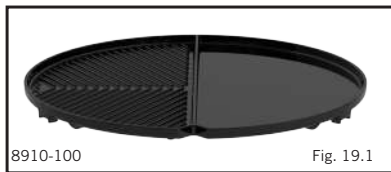


8910-SP003

Fig. 19

Support de casserole (Fig. 19)

- Support de casserole adapté à la plupart des casseroles.
- Disponible comme accessoire supplémentaire et comme pièce de rechange.
- **ATTENTION** : nous recommandons d'utiliser des gants lors de la manipulation du support de casserole.



8910-100

Fig. 19.1

Plaque de cuisson Grill2Braai(Fig. 19)

- Disponible comme accessoire supplémentaire et comme pièce de rechange.
- La plaque de cuisson "Grill 2 Braai" se place sur les trois supports de positionnement moulés du collecteur de graisse (Fig. 11).
- Surface de cuisson avec revêtement antiadhésif.
- Ne pas utiliser d'ustensiles de cuisine en métal, qui endommageraient le revêtement antiadhésif.
- La moitié plate est idéale pour cuire le poisson, les breakfasts et les pancakes, et la moitié striée est parfaite pour griller la viande, le poisson, le poulet et les légumes.
- Un sac de transport pratique est inclus avec cette surface de cuisson.
- **ATTENTION** : nous recommandons d'utiliser des gants lors de la manipulation de la plaque de cuisson **Grill2Braai**.

- **IMPORTANT** ! Pour que la garantie soit valide, n'utiliser que les surfaces de cuisson CADAC.
- **ATTENTION** ! Toujours utiliser le dôme comme pare-vent lors d'une utilisation de l'appareil en cas vent.

8. Entretien général

- À partir de la date d'achat, la responsabilité d'entretenir l'appareil n'incombe qu'au consommateur. Cet appareil ne requiert pas de maintenance programmée.
Remplacement d'un injecteur obstrué :
- Votre appareil Citi Chef est équipé d'un injecteur de taille spécifique qui régule correctement le débit de gaz.
- Si l'orifice de l'injecteur est obstrué, cela peut avoir pour conséquence une petite flamme, voire pas de flamme du tout. Ne pas essayer de nettoyer l'injecteur avec une épingle ou autre objet similaire, car cela pourrait endommager l'orifice, rendant l'appareil dangereux.
- Pour remplacer l'injecteur : Retirer le panneau arrière en utilisant la poignée (Fig. 20). Retirer le couvercle, la grille, le support de casserole ou tout autre élément optionnel du barbecue. Dévisser ensuite les 3 vis situées sous l'appareil comme indiqué sur la Fig. 2 afin de desserrer le brûleur. Retirez doucement le brûleur en le soulevant (Fig. 22). ATTENTION : le brûleur est toujours connecté au fil d'allumage piézo électrique. Ne pas tirer sur le brûleur car vous risqueriez de casser ce fil. Poser délicatement le brûleur sur le côté, ce qui révélera l'injecteur (Fig. 23). L'injecteur peut maintenant être enlevé à l'aide d'une clé appropriée. Ne pas utiliser de pinces, cela pourrait endommager l'injecteur, le rendre inutilisable ou impossible à enlever. Visser le nouvel injecteur dans la valve. Éviter de trop serrer pour ne pas l'endommager.
- Pour le remontage, suivre en sens inverse la procédure ci-dessus.
Remplacement du tuyau :
- L'installation d'un tuyau est décrite en section 5 « Installation et remplacement du tuyau et de la bouteille de gaz ».



Fig. 20

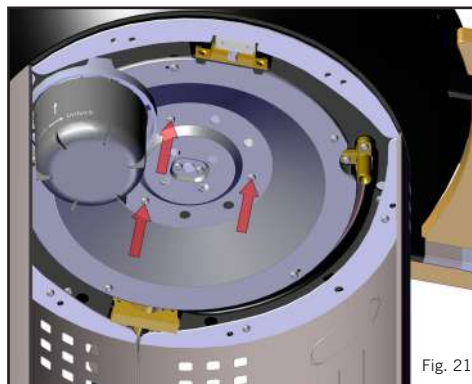


Fig. 21

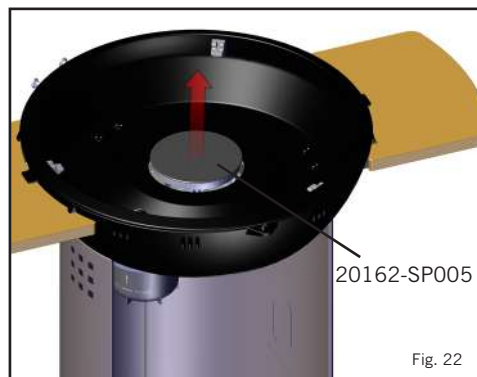


Fig. 22

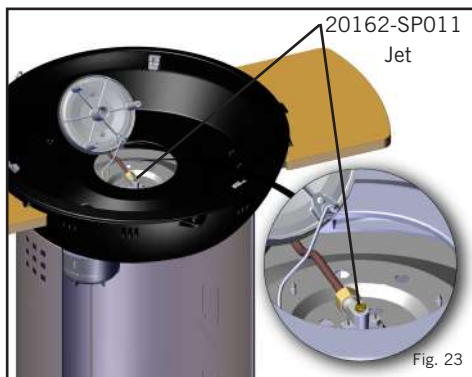


Fig. 23

9. Nettoyage

- **Remarque :** pour la référence des pièces, voir la section 7.
- **Grille barbecue :** retirer la graisse du fond du collecteur de graisse et nettoyer selon les indications pour la plaque de cuisson. Laver la grille à l'eau tiède avec un détergent non abrasif après avoir enlevé l'excédent de graisse issu de la cuisson.
- **Couvercle du barbecue :** laver le couvercle du barbecue à l'eau tiède avec un détergent non abrasif. Ne pas utiliser d'objets pointus en métal ni de détergents abrasifs, qui abîmeraient le revêtement.
- **Remarque :** pour les tâches résistantes, il est possible d'utiliser un nettoyeur pour four.

Précautions relatives aux surfaces de cuisson antiadhérentes :

- Les surfaces de cuisson possèdent un revêtement antiadhérent en céramique qui a été utilisé avec un grand succès dans la fabrication de certains des meilleurs ustensiles de cuisine du monde. Cependant, certaines précautions permettront d'apprécier des années supplémentaires de cuisson saine, facile et antiadhérente.
- N'utiliser que des réglages bas ou moyens de la température pour conserver les précieux nutriments de la nourriture et préserver la surface de cuisson antiadhérente.
- Le revêtement antiadhérent peut facilement être endommagé par l'utilisation d'ustensiles en métal.
- **Attention ! Il est recommandé de n'utiliser que des ustensiles en plastique ou en bois pour cuisiner.**
- Ne pas surchauffer les surfaces de cuisson antiadhérentes et toujours ajouter un peu d'huile de cuisine sur la surface avant utilisation.
- **Toujours laisser refroidir les surfaces antiadhérentes avant de les immerger dans l'eau.**
- Il est parfaitement sûr de passer le revêtement antiadhérent au lave-vaisselle, mais cette surface est si facile à nettoyer qu'un lavage rapide à la main suffit. **L'utilisation de détergents abrasifs est déconseillée, car elle pourrait endommager définitivement la surface antiadhérente.**
- Une fois nettoyée, reconditionner la surface en y passant un peu d'huile végétale.
- Après chaque utilisation, retirer la graisse du collecteur de graisse et nettoyer selon les indications ci-dessus relatives au barbecue.

10. Stockage et transport

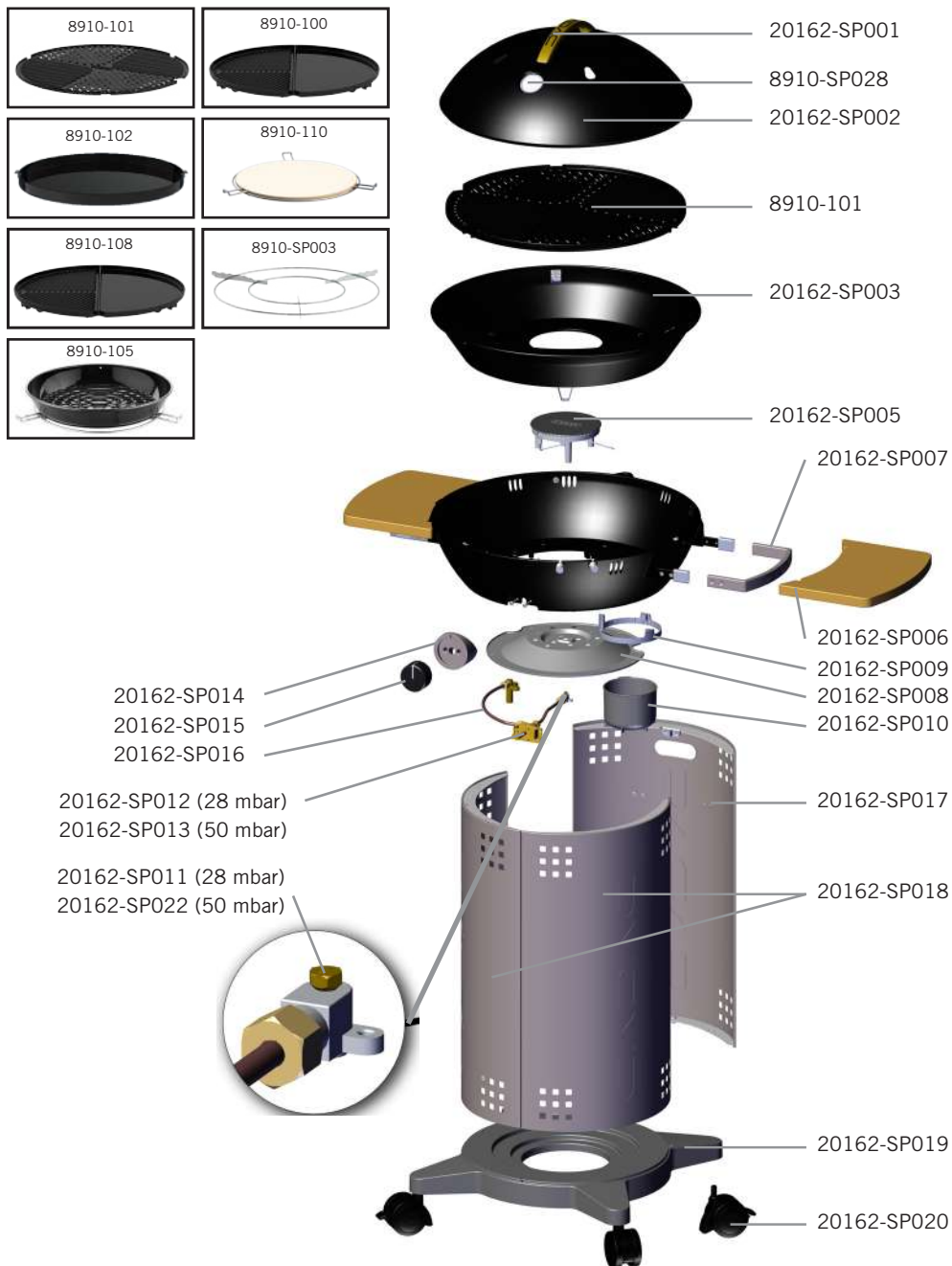
- Le couvercle du barbecue est fixé à l'arrière du sac avec les sangles fournies.
- Si l'appareil fonctionne anormalement après une période de stockage, et que toutes les vérifications recommandées dans les sections 5 et 8 n'ont pas isolé le problème, il se peut que le diffuseur soit obstrué. Le signe d'un diffuseur obstrué est une flamme faible et jaunâtre, ou pas de flamme du tout dans le pire des cas. Dans ces circonstances, il est nécessaire de retirer le brûleur selon les explications de la section 8 « Entretien général », de rechercher et nettoyer consciencieusement tout corps étranger qui pourrait se trouver dans le diffuseur.

11. Retour de l'appareil pour réparation ou entretien

- Ne pas modifier l'appareil, ceci peut être dangereux.
- S'il s'avère impossible de corriger un problème en suivant les présentes instructions, contacter votre distributeur CADAC local pour connaître la procédure détaillée de retour du produit.
- Votre CADAC Citi Chef est garanti par CADAC pendant 5 ans contre tout défaut d'usine.

12. Pièces détachées et accessoires

- N'utiliser que des pièces détachées authentiques CADAC. Celles-ci ont été conçues pour des performances optimales.



ADVARSEL

Kun til udendørs brug!

Dette apparat må ikke anvendes på en udendørs lukket altan, veranda eller et legeområde!

VIGTIGT

Læs denne brugervejledning omhyggeligt og gør dig bekendt med apparatet inden du tilslutter det til gasflasken.
Opbevar denne vejledning til fremtidigt brug.

1. Indledning

- Grillen er beregnet til brug udendørs på en terrasse.
- Der kan tilberedes forskellige slags fødevarer på grillen. Citi Chef 50 er designet, så der kan bruges forskellige grilloverflader.
- Gassen tilføres via slange og regulator. Slange og regulator kan sluttes til en gasflaske (medfølger ikke).
- Apparatet er nemt at tænde og bruge (Omtalt nedenfor i afsnit 6) og brugeren kan regulere varmen med en justerbar ventil.

2. Generel information

- Apparatet er i overensstemmelse med EN498:2012, EN484:1997 og SANS 1539:2012.
- Dette apparat må kun anvendes med en godkendt slange og reguleringsanordning (slange og reguleringsanordning med apparat i SA).
- **Advarsel:** Dele på apparatet kan blive meget varme. Hold børn på afstand af apparatet.
- Må kun anvendes med en gasbeholder der ikke er over 500 mm i højden og 350mm i bredde (Herunder regulatoren).
- Gasapparater kræver ventilation til effektiv betjening og for at beskytte brugeren og andre personer der opholder sig i nærheden og man skal derfor undgå at benytte apparatet på et sted med ringe ventilation. Det er udelukkende beregnet til udendørs brug.
- Læs denne vejledning omhyggeligt før apparatet tages i brug.
- **Kun til udendørs brug!**

Land	BE, CH, CY, CZ, ES, FR, GB, GR, IE, IT, LT, LU, LV, PT, SK & SI	PL	BE, CY, DK, EE, FR, FI, HU, IT, LT, NL, NO, SE, SI, SK, RO, HR, TR, BG, IS, LU, MT, & ZA	AT, CH, DE & SK
Apparatkategorier	I ₃₊ (28-30/37)		I _{3B/P} (37)	I _{3B/P} (30)
Godkendte gasser	Butan-G30	Propan-G31	Butan-G30, propan-G31 eller deres blanding	
Driftstryk	28-30 mbar	37 mbar	37 mbar	28-30 mbar (Sydafrika 2.8 kPa)
Blusnummer (mm)	0.95		0.91	0.95
Nominelt brug	270 g/h			
Brutto nom. varmeinput	3.7 kW			

Gastilførselskilder	En godkendt slange og reguleringsanordning der er tilsluttet en genopfyldelig gasflaske der ikke overstiger 9 kg og som opfylder de lokale gældende vedtægter
----------------------------	---

Navn på land og forkortelser:

AE = United Arab Emirates	AL = Albania	AT = Austria	BE = Belgium	CH = Switzerland
CZ = Czech Republic	DE = Germany	DK = Denmark	ES = Spain	FI = Finland
FR = France	GB = United Kingdom	GR = Greece	HR = Croatia	IT = Italy
JP = Japan	KR = Korea	NL = Netherlands	NO = Norway	PL = Poland
PT = Portugal	RO = Romania	RU = Russia	RS = Serbia	SI = Slovenia
SK = Slovakia	SE = Sweden	TR = Turkey	ZA = South Africa	

3. Sikkerhedsinformation

Slange

- **Dette apparat må kun bruges udendørs.**
- Der medfølger en slange og en reguleringsanordning med dette apparat (kun SA).
- Slangen skal kontrolleres for slid og skader hver gang inden ibrugtagning og før tilslutning af gasflasken.
- Undlad at bruge apparatet hvis slangen er beskadiget eller slidt. Udskift slangen.
- Undlad at bruge apparatet hvis det er utæt, beskadiget eller ikke fungerer korrekt.

Gasflaske

- Brug kun en flaske der er godkendt ifølge dit lands vedtægter.
 - Sørg for at gasflasken påsættes eller udskiftes på et sted med god ventilation helst udendørs og væk fra eventuelle antændelseskilder såsom flammer, vågeblus, elektrisk ild og ikke i nærheden af mennesker.
 - Opbevar gasflasker på behørig afstand fra varmekilder og åben ild. Undlad at anbringe på et komfur eller en anden varm overflade.
 - Gaspatroner/genopfyldelige beholdere må kun anvendes i stående position for at sikre ordentlig brændstoftilførsel. Manglende overholdelse af dette kan medføre udledning af væske fra gasflasken der kunne resultere i en farlig situation.
 - Undlad at forsøge at flytte beholderen mens apparatet er i brug.
 - Gasflasken skal frakobles apparatet når det ikke er i brug eller når det stilles til opbevaring.
- #### Samling og brug
- Brug udelukkende på en stabil og jævn overflade.
 - Undlad at flytte apparatet mens det er i brug.
 - Såfremt varmeafskærmningen, fedtstofpanden eller brænderpanden er blevet beskadiget på en måde der betyder at der er kontakt mellem varmeafskærmningen og fedtpanden under brug, skal du undlade at benytte apparatet. Returner apparatet til din Cadac forhandler med henblik på reparation.
 - Sørg for at apparatet anvendes på behørig afstand af brandbare materialer. Minimumsafstanden er: Ovenover apparatet 1,2 m På bagsiden og siderne 600 mm (Se fig. 2).

- **Advarsel:** Når du benytter apparatet anbefaler vi at du bruger beskyttelseshandsker hvis du skal fjerne låget eftersom håndtagene på låget kan blive meget varme.
- **Advarsel:** Dele på tilbehøret kan blive meget varme, så brugen af beskyttelseshandsker anbefales.
- Hold små børn på afstand af apparatet.
- **Kun til udendørs brug**
- **BEMÆRK!** Hvis du bruger apparatet på steder hvor det blæser meget, skal låget anvendes som afskærmning og anbringes i positionen der er vist på fig. 4.

Flammetilbageslag

- I tilfælde af flammetilbageslag (hvor flammen brænder bagud og antænder den indvendige brænder eller venturihuset), skal du omgående slukke for gassen ved at afbryde for tilførslen på gasflasken og derefter på apparatets ventil. Efter flammen er slukket, fjernes reguleringsanordningen og pakningen kontrolleres. Hvis du er i tvivl skal du udskifte pakningen. Tænd apparatet igen som beskrevet i afsnit 6 nedenfor. Hvis flammetilbageslag forekommer gentagne gange, bedes du returnere produktet til en autoriseret CADAC forhandler.

Utætheder

- Hvis der forekommer utætheder på dit apparat (lugt af gas), bedes du omgående lukke for kontrolhåndtaget på gasflasken. Hvis du ønsker at kontrollere for utætheder på dit apparat, skal det foregå udendørs. Undlad at benytte en flamme til at kontrollere for utætheder men brug istedet sæbevand.
- Den korrekte procedure er at påføre sæbevand på samlingerne. Hvis der forekommer bobler findes der en utæthed. Afbryd omgående gasførslen ved at lukke kontrolhåndtaget på gasflasken og derefter ventilen på apparatet. Kontroller at alle tilslutningerne er ordentligt strammede. Kontroller igen med sæbevand. Hvis der fortsat er en utæthed, bedes du returnere apparatet til din CADAC forhandler med henblik på inspektion/reparation.
- Kontroller om der findes utætheder på slangeforskrutningen ved ventilen og på reguleringsanordningen på flasken med gasførslen åben på flasken men ikke slået til på apparatets kontrolhåndtag.



Fig. 1

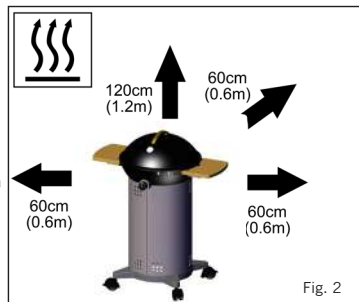


Fig. 2

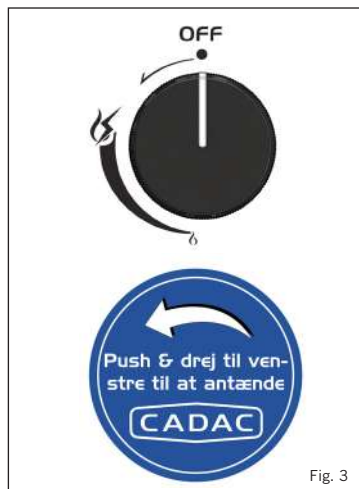


Fig. 3



Fig. 4

4. Kombination

Citi Chef 50 BBQ (Produktkode: 20162-20)

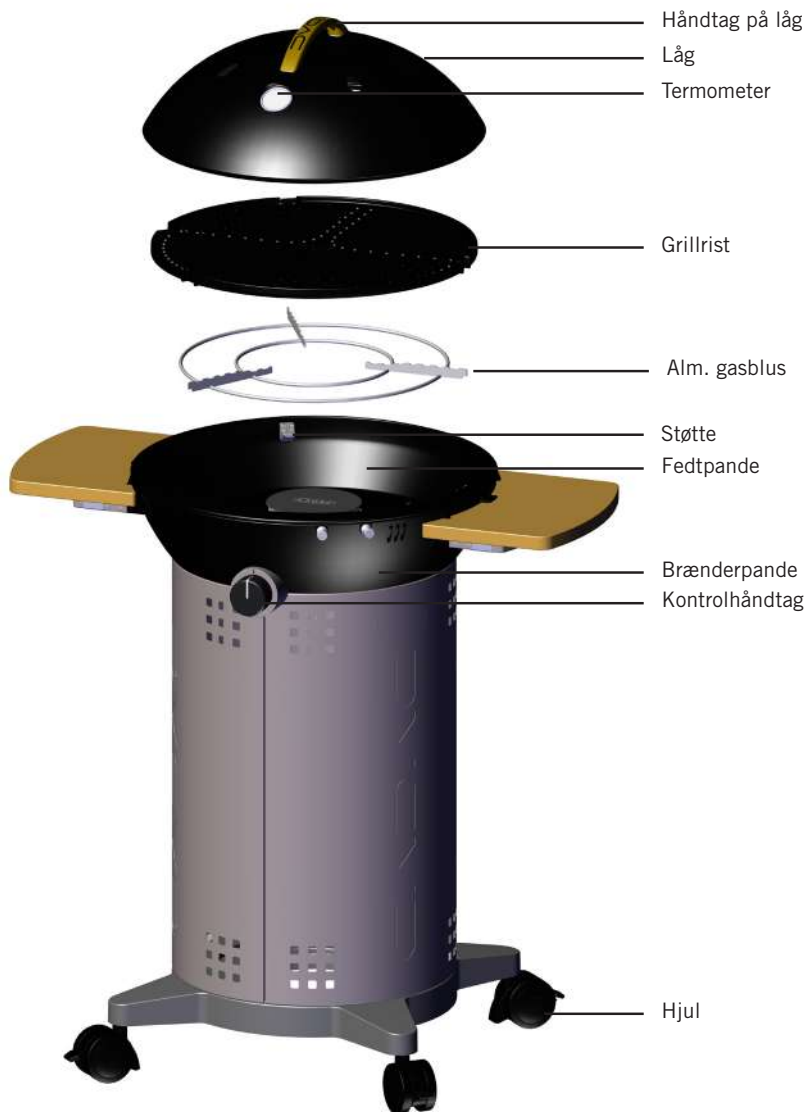


Fig. 6a

5. Montering og udskiftning af slangen og gasflasken

- **BEMÆRK!** Når du monterer slangeforskrningen, skal du sørge for at du holder den lige mens du strammer møtrikken for at undgå utætheder. Stram med en passende skruenøgle. (Fig. 10)
- I 3B/P (30), I 3B/P (37) og I 3+ (28-30/37) apparatkategorier: Monter ventilen på slangeforskrningen på ventilen ved at skruer den på modsat urets retning. Tryk en slange af passende størrelse fast på ventilen på slangeforskrningen indtil den sidder ordentligt fast. På den anden ende, vedhæfte et passende lavt trykregulator (I3B / P (30): 30mbar butan / propan konfigurationer regulator, I3 + (28-30/37): 30mbar Butan regulator eller 37mbar Propan regulator), I3B / P (37) : 37mbar butan / propan konfigurationer tilsynsmyndigheder). Idet du igen sikrer dig at slangen sidder ordentligt fast. Den type slange anvendes, i overensstemmelse med den relevante EN-standard og find krav. I Sydafrika skal reguleringsanordningen være i overensstemmelse med SANS 1537.
- I 3B/P (50) apparatkategori: Skru en slange med de korrekte gevindskårne fittings på hver ende fast på det venstre ¼ tomme BSP gevind på ventilen. Monter en passende 50 mbar lavtryksreguleringsanordning på den modsatte ende af slangen. Slangen anvendte samling skal overholde DIN 4815 del 2 eller tilsvarende.
- Længden på slangen skal være mellem 0,8 m og 1,5 m. Kontroller slangens udløbsdato og udskift den om nødvendigt eller når de nationale vedtægter kræver det.
- Undgå at sno eller klemme slangen. Sørg for at slangen ikke kommer i kontakt med nogen overflader der kunne blive varme under betjening.
- Inden du fastgør reguleringsanordningen på gasflasken, bedes du sikre at pakningen på reguleringsanordningen sidder rigtigt og er i ordentlig stand. Dette skal man sikre sig med alle tilslutninger og før brug hver gang.
- Inden du monterer din gasflaske, bedes du sørge for at alle ventiler befinder sig i "FRA" position ved at dreje kontrolhåndtaget med uret indtil det stopper.
- Sørg for at gasflasken påsættes eller udskiftes på et sted med god ventilation helst udendørs og væk fra eventuelle antændelseskilder såsom flammer, vågeblus, elektrisk ild og ikke i nærheden af mennesker.
- Samtidig med at du sørger for at gasflasken holdes i stående position, påskrues reguleringsanordningen på flasken indtil den ikke kan komme længere. Stram udelukkende med håndkraft.
- Hvis der findes en utæthed på apparatet (lugt af gas), lukkes flaskeventilen omgående og følg proceduren for at finde og stoppe en utæthed under afsnit 3. Når du ønsker at kontrollere utætheder på dit apparat, skal du gøre det udendørs ved hjælp af sæbevand der påføres forbindelserne. Der opstår bobbeldannelse hvis der er en utæthed.
- Kontroller alle forbindelserne er ordentligt strammede og kontroller igen med sæbevand. Hvis du ikke formår at udbedre utætheder, skal du ikke bruge apparatet. Kontakt din lokale CADAC for assistance.
- Når du skal udskifte en gasflaske, skal du først lukke flaskeventilen (om muligt) og derefter dreje kontrolhåndtaget med uret indtil det ikke kan komme længere.
- Idet du sikrer dig at flammen er slukket, skrues reguleringsanordningen af. Erstat med en fuld flaske og følg de samme sikkerhedsforanstaltninger som beskrevet ovenover.

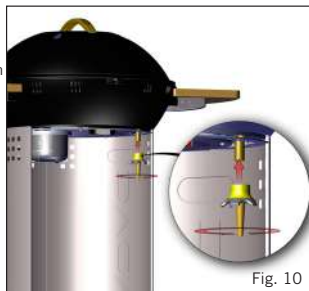


Fig. 10

6. Tænding af apparatet

Sikkerhedsforanstaltninger der skal overholdes inden tænding

- Efter længere tids opbevaring, skal lufthullerne på ventildækslet kontrolleres, hvilket kan påvirke gasflowet. Kontroller Venturi-indtaget for insekter Efter kontrol placeres alle komponenter på de foreskrevne placeringer.
- **Brug dette apparat udelukkende på en stabil og jævn overflade.**
Brug af kontrolhåndtaget
Kontrolhåndtaget er udstyret med to positive positioner, den ene er lav og den anden er tænding / høj. Dette begrænser justeringen af flammen til et sted imellem disse to punkter.
Tænding ved hjælp af Piezo-tændsats
- For at tænde apparatet ved hjælp af Piezo-tændsatsen, trykkes kontrolhåndtaget ind og drejes mod uret indtil der høres et klik. Hvis gassen ikke antændes ved første gnist, så tryk ind og drej kontrolhåndtaget en hel omdrejning med uret. Forsøg igen ved at trykke ind og dreje kontrolhåndtaget mod uret indtil der høres et klik. Hvis gassen ikke er blevet antændt i løbet af de første 2-3 sekunder, bør du lukke kontrolventilen ved at trykke ind på kontrolhåndtaget og dreje det en hel omdrejning med uret. Vent i ca. 30 sekunder indtil evt. resterende gas inden i brænderen er sevet ud. Gentag ovenstående procedure om nødvendigt indtil flammen antændes. Flammen antændes under normale omstændigheder inden for de første par sekunder.
Tænding ved hjælp af en grillighter
- Når du starter et koldt apparat, kan det forekomme at det tændes fra toppen inden du anbringer den ønskede kogeplade på fedtpanden. Når du tænder et varmt apparat anbefales det imidlertid at dette gøres ved at stikke en grillighter igennem det ene af ventilationshullerne neden under brænderen indtil den flugter med brænderen (UNDLAD at komme grillighteren gennem det store hul direkte under brænderen). Tænd grillighteren Mens grillighteren er tændt, trykkes kontrolhåndtaget ind og drejes mod uret for at tænde brænderen.
Generelt
- Når først apparatet er blevet tændt, kan man justere flammen ved at dreje ventilen mod uret for at mindske flammen eller med uret for at øge flammen.
- Når kontrolhåndtaget befinder sig i den yderste position med uret er apparatet helt slukket. For at dreje ventilen fra den helt lukkede position er det nødvendigt først at trykke håndtaget ned, således at det kan flyttes væk fra låsemekanismen. Samtidig med at du trykker håndtaget ind, drejes det mod uret. Når først spindelen har bevæget sig bort fra låsepositionen, er det ikke længere nødvendigt at holde kontrolhåndtaget trykket ned og det kan frit drejes til den ønskede flammeindstilling.
- Når du tilbereder fødevarer med en høj fedtprocent, kan opblussen forekomme hvis den valgte varmeindstilling er for høj. Hvis dette skulle ske skal du mindske varmen indtil opblussen ophører.
- Undlad at flytte apparatet under brug da det både er farligt og der let kan forekomme opblussen.
- Efter endt brug, luk først ventilen på gasflasken (når det er relevant). Når flammen er slukket lukkes ventilen på apparatet ved at trykke ind på kontrolhåndtaget og dreje det helt med uret.

7. Betjening af apparatet og kogeplader

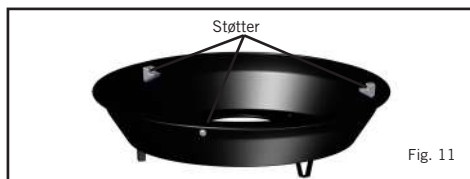


Fig. 11

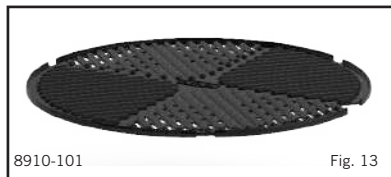


Fig. 13

Grillrist (Fig. 13)

- Grillristen findes på de tre sprøjttestøbte støtter på fedtpanden (Fig. 11).
- Findes som ekstraudstyr og reservedele.
- Slip-let overtrukken kogeplade.
- Undlad at benytte metal køkkenredskaber eftersom disse kan beskadige belægningen.
- Ideel til grillstegning af kød, fisk, kylling og grøntsager.
- Der følger en praktisk bærepose med kogepladen.
- **ADVARSEL:** Vi anbefaler at bruge handsker når man håndterer grillristen.



Fig. 15

Slip-let stegepande (Fig. 15)

- Stegepanden er udstyret med tre sprøjttestøbte støtter på fedtpanden (Fig. 11).
- Findes som ekstraudstyr og reservedele (Medfølger ikke).
- Slip-let overtrukken kogeplade.
- Undlad at benytte metal køkkenredskaber eftersom disse kan beskadige belægningen.
- **ADVARSEL:** Når du forvarmer bedes du undgå at bruge stegepanden på en høj flammeindstilling med låget på i over 15 min. idet dette kan beskadige slip-let belægningen på panden.
- **ADVARSEL:** Vi anbefaler at bruge handsker når man håndterer stegepanden.

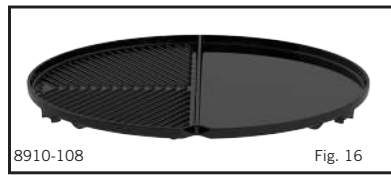


Fig. 16

BBQ @ Plancha (Fig. 16)

- BBQ Plancha giver maksimal alsidighed med åben grill BBQ på den ene side og flad grillpande på den anden.
- Findes som ekstraudstyr og reservedele (Medfølger ikke).
- Den keramiske belægning toppen er let at bruge og ren.
- En bekvem bærepose er inkluderet.
- **ADVARSEL:** Vi anbefaler at bruge handsker når man håndterer BBQ Plancha.



Fig. 17

Stegepande (Fig. 17)

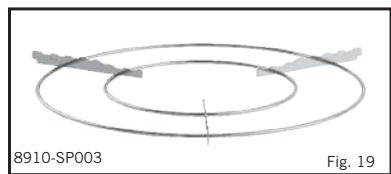
- Findes som ekstraudstyr og reservedele (Medfølger ikke).
- Porcelænsemaljeret kogeplade.
- Ideel til forberedelse af stegt kylling, lam, grøntsager m.m.
- Porcelænsemaljeret kogeplade.
- **ADVARSEL:** Vi anbefaler at bruge handsker når man håndterer stegepanden.



Fig. 18

Pizzasten (Fig. 18)

- Findes som ekstraudstyr og reservedele (Medfølger ikke).
- 10 mm tyk bagesten der kan modstå temperaturer på op til 500° C.
- Indeholder nikkelbelædt wireholder.
- **ADVARSEL:** Vi anbefaler at bruge handsker når man håndterer bagestenen.



8910-SP003

Fig. 19

Alm. gasblus (Fig. 19)

- Nikkelbelagt gasblus der passer til de fleste grydestørrelser.
- Findes som ekstraudstyr og reservedele.
- **ADVARSEL:** Vi anbefaler at bruge handsker når man håndterer alm. gasblus.



Fig. 19.1

Grill@Braai (Fig. 19.1)

- Findes som ekstraudstyr og reservedele (Medfølger ikke).
- Grill 2 Braai er udstyret med tre sprøjtestøbte støtter på fedtpanden (Fig. 11).
- Slip-let overtrukken kogeplade.
- Undlad at benytte metalkøkkenredskaber eftersom disse kan beskadige belægningen.
- Den falde halvdel er ideel til tilberedning af fisk, morgenmåltider og pandekager, mens den riflede stegeflade er særdeles velegnet til grillstegning af kød, fisk, kylling og grøntsager.
- Der følger en praktisk bæreposse med kogepladen.
- **ADVARSEL:** Vi anbefaler at bruge handsker når man håndterer Grill@Braai.

- **VIGTIGT!** For at bevare garantien, skal du udelukkende benytte CADAC køkkenredskaber.
- **BEMÆRK!** Anvend altid vindafskærmningen hvis du bruger apparatet under forhold med stærk vind.

8. Generel vedligeholdelse

- Det er udelukkende brugerens eget ansvar at vedligeholde dette apparat fra købstidspunktet. Dette apparat kræver ikke rutinemæssig vedligeholdelse.
Udskiftning af et blokeret blus
- Din Citi Chef er udstyret med en bestemt størrelse blus til regulering af den korrekte mængde gas.
- Såfremt hullet i blusset bliver blokeret, kunne dette resultere i en lille flamme eller slet ingen flamme overhovedet. Undlad at rengøre blusset med en stift eller anden genstand da dette kunne beskadige åbningen og bevirke at apparatet bliver farligt at benytte.
- Udskiftning af dysen: Træk bagpanelet ud ved hjælp af håndtaget (fig. 20). Fjern låget, grillristen, grydeholderen og andre løse dele fra grillen. Afmonter de 3 skruer på grillens underside (fig. 21), så brænderen frigøres. Løft forsigtigt brænderen ud (fig. 22). Vær opmærksom på, at brænderen er forbundet med ledningen til piezotændingen. Træk IKKE brænderen hårdt ud, da du så risikerer at ledningen til piezotændingen rives over. Læg forsigtigt brænderen, så dysen kommer til syne (fig. 23). Du kan nu afmontere dysen med en egnet skruenøgle. Brug ikke en tang, da den kan beskadige dysen, så den bliver ustabil eller umulig at afmontere. Skru den nye dyse ind i ventilen. Overspænd ikke dysen, da den så kan blive beskadiget.
- Udfør ovenstående procedure i omvendt rækkefølge for at samle apparatet.
Udskiftning af slange:
- Montering af en slange er beskrevet i afsnit 5 - Montering og udskiftning af slangen og gasflasken.



Fig. 20

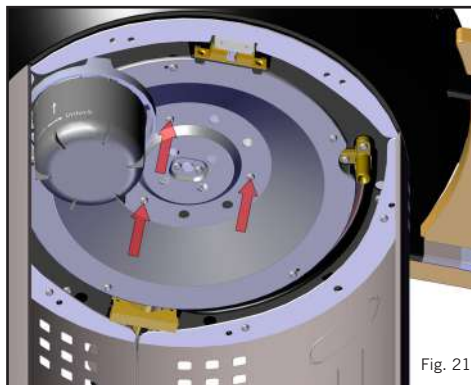


Fig. 21

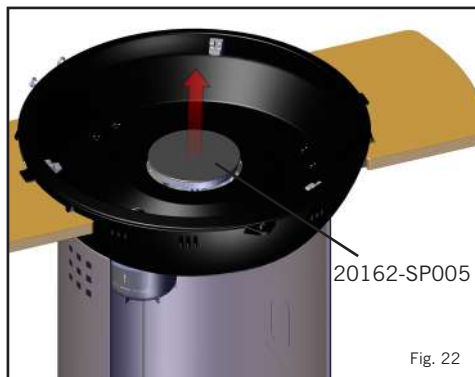


Fig. 22

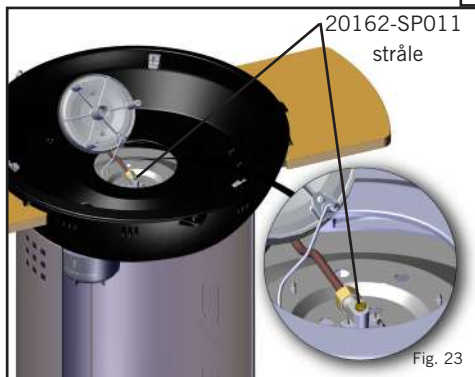


Fig. 23

9. Rengøring

- **Bemærk:** Reservedele (se afsnit 7)
- **Grill:** Fjern fedtet fra bunden af fedtpanden. Vask risten og varmeskjoldet i varmt vand med et ikke skurende opvaskemiddel efter du har fjernet al overskydende fedt efter tilberedningen.
- **Grill-låg:** Vask grill-låget i varmt vand med et egnet ikke skurende opvaskemiddel. Undlad at bruge skarpe metalredskaber eller skuremidler eftersom det vil ødelægge belægningen.
- **Bemærk:** Til vanskelige pletter kan man bruge ovnrens.
Vedligeholdelse af slip-let belægninger:
- Slip-let kogeplader er overtrukket med en PTFE slip-let belægning der er blevet anvendt med stor succes på nogle af de bedste kogegejer i verden. Ikke desto mindre hjælper det hvis man tager hensyn, så kan man nyde glæde af slip-let kogegejerne i mange år.
- Brug kun lav eller medium varmeindstillinger til at hjælpe med at beholde de vigtige næringsstoffer i fødevarerne og bevare slip-let kogepladen.
- Slip-let belægningen kan nemt blive beskadiget hvis man anvender køkkenredskaber af metal.
- **Bemærk! Det anbefales at man udelukkende bruger plastik- eller træredskaber til madlavning.**
- Undlad at overhede slip-let kogeplader og brug altid en smule olie inden madlavningen påbegyndes.
- **Lad slip-let kogepladen afkøle inden du nedsænker den i vand.**
- Slip-let belægningen kan uden problemer vaskes i opvaskemaskine men slip-let belægningen er så nem at rengøre at en hurtig håndafvaskning er tilstrækkelig. **Brugen af skuremidler anbefales ikke eftersom det vil permanent beskadige slip-let belægningen.**
- Efter rengøring skal overfladen smøres med en smule vegetabilsk olie.
- Efter hver brug skal man fjerne fedtet fra fedtpanden og rengøre som beskrevet ovenfor for grill.

10. Opbevaring og transport

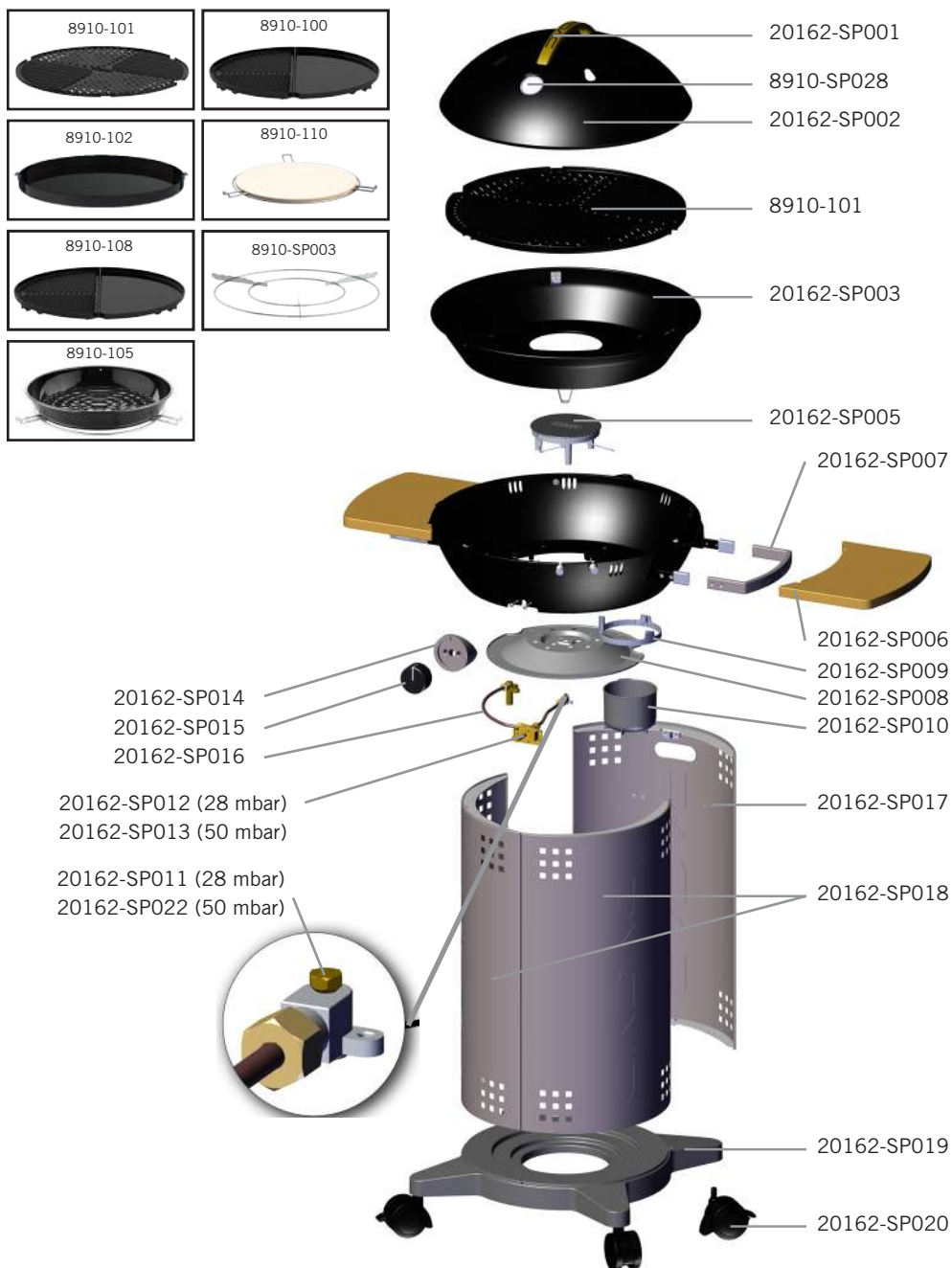
- Grill-låget passer på bagsiden af posen med de medfølgende støttetroppe.
- Hvis apparatet ikke fungerer normalt efter opbevaring og du har udført alle kontroller der er omtalt i afsnittene 5 og 8, så er det muligt at Venturien er blokeret. En blokeret Venturi opdages pga. en svag gullig flamme eller slet ingen flamme i ekstreme tilfælde. Under disse omstændigheder er det nødvendigt at fjerne brænderen som beskrevet under afsnit 8 - Generel vedligeholdelse og for at kontrollere og omhyggeligt rengøre Venturien for eventuelle urenheder der har hobet sig op.

11. Returnering af apparatet til reparation eller service

- Undlad at ændre på apparatet idet dette kunne udgøre en fare.
- Hvis du ikke er i stand til at udbedre en fejl ved at følge disse instruktioner, bedes du kontakte din lokale forhandler for oplysninger om hvordan man returnerer produktet.
- Din CADAC Citi Chef er omfattet af garanti der er gældende i 5 år og dækker fabriktionsfejl.

12. Reservedele og tilbehør

- Brug altid originale CADAC reservedele da de er blevet fremstillet til at give den bedste ydeevne.



Dette produktet kan ikke brukes i en utvendig balkong, veranda eller underholdningsområde!

VIKTIG

Les denne bruksanvisningen nøye for å gjøre deg kjent med produktet før du kobler det til gassbeholderen.
Ta vare på disse instruksjonene for fremtidig referanse.

1. Innledning

- Grillen er beregnet til bruk utendørs på en terrasse.
- Det kan tilberedes ulike typer mat på grillen. Citi Chef 50 er konstruert slik at det kan brukes forskjellige grilloverflater.
- Gassen tilføres ved hjelp av en slange og en regulator. Slangen og regulatoren kan kobles til en gassflaske (ikke inkludert).
- Enheten er enkel å slå på, og bruke (beskrevet nedenfor i punkt 6) og brukeren kan styre varmetilførselen med en justerbar ventil.

2. Generell informasjon

- Dette apparatet er i samsvar med EN498:2012, EN484:1997 og SANS 1539:2012.
- Dette apparatet må kun brukes med godkjent slange og regulator (slange og regulator følger med enheten i SA).
- **Advarsel:** Tilgjengelige deler kan bli svært varme. Hold små barn unna.
- Kun til bruk med en gassylinder som ikke overstiger 500 mm i høyden og 350mm i bredde (Inkludert regulatoren).
- Gassapparater krever ventilasjon for effektiv ytelse og for å ivareta sikkerheten for brukere og andre personer i umiddelbar nærhet. Bruk derfor ikke apparatet i et uventilert område. Den er beregnet for utendørs bruk.
- Les disse instruksjonene nøye før bruk.
- **Bruk bare ute!**

Bruksland	BE, CH, CY, CZ, ES, FR, GB, GR, IE, IT, LT, LU, LV, PT, SK & SI	PL	BE, CY, DK, EE, FR, FI, HU, IT, LT, NL, NO, SE, SI, SK, RO, HR, TR, BG, IS, LU, MT, & ZA	AT, CH, DE & SK	
Produktkategorier	I _{3+(28-30/37)}		I _{3B/P (37)}	I _{3B/P (30)}	I _{3B/P (50)}
Tillatte gasser	Butane-G30	Propane-G31	Butan-G30, propan-G31 eller deres blanding		
Driftstrykk	28–30 mbar	37 mbar	37 mbar	28–30 mbar (2.8 kPa for South Africa)	50 mbar
Jet-nummer (mm)	0.95		0.91	0.95	0.85
Nominell bruk	270 g/h				
Brutto nom. varmetilførsel	3.7 kW				
Gassforsyningskilder	En godkjent slange og regulator koblet til en gjenfyllbar gassbeholder som ikke overstiger 9 kg og overholder lokale bestemmelser.				

Landets navn og forkortelser:

AE = United Arab Emirates	AL = Albania	AT = Austria	BE = Belgium	CH = Switzerland
CZ = Czech Republic	DE = Germany	DK = Denmark	ES = Spain	FI = Finland
FR = France	GB = United Kingdom	GR = Greece	HR = Croatia	IT = Italy
JP = Japan	KR = Korea	NL = Netherlands	NO = Norway	PL = Poland
PT = Portugal	RO = Romania	RU = Russia	RS = Serbia	SI = Slovenia
SK = Slovakia	SE = Sweden	TR = Turkey	ZA = South Africa	

3. Sikkerhetsinformasjon

Slange

- Dette apparatet kan bare brukes utendørs.
- En slange og regulator leveres med dette apparatet (bare SA).
- Slangen må kontrolleres for slitasje eller skader før hver bruk og før du kobler til gassbeholderen.
- Ikke bruk apparatet hvis det har en skadet eller slitt slange. Bytt ut slangen.
- Ikke bruk apparatet hvis det lekker, er skadet eller ikke fungerer som det skal.

Gassbeholder

- Bruk bare en sylinder som er godkjent av landets forskrifter.
- Sørg for at gassbeholderen er montert eller byttes på et godt ventilert rom, helst utendørs, vekk fra alle antennelseskilder som for eksempel åpen ild, piloter, elektriske branner og bort fra andre mennesker.
- Hold gassbeholdere unna varme og flamme. Ikke sett det på en komfyр eller andre varme overflater.
- Gasspatroner/gjenfyllbare sylindere skal bare brukes i oppreist stilling for å sikre riktig tilbaketrekkning av drivstoff. Unnlattelse av å følge dette kan føre til væskeutslipp fra gassbeholderen som resulterer i en farlig driftstilstand.
- Ikke prøv å fjerne sylinderen mens enheten er i bruk.
- Gassflasken må kobles fra apparatet etter bruk eller når den er i lagring.

Montering og bruk

- Bruk den bare på et fast underlag.
- Ikke prøv å flytt apparatet mens enheten er i bruk.
- Dersom varmeskjoldet, fettpannen eller brennerpannen blir skadet på en slik måte at permanent kontakt mellom varmeskjoldet og fettpannen oppstår under bruk, må du ikke bruke apparatet. Returnere den til din Cadac forhandler for reparasjon.
- Sørg for at apparatet ikke brukes i nærheten av brennbare materialer. Minstekrav til trygg avstand er: Over apparatet 1,2 m. På baksiden og sidene 600 mm. (Se fig. 2)
- **Forsiktig:** Når du bruker apparatet, anbefaler vi bruk av vernehansker ved fjerning og bruk av kuppelen, siden kuppelens håndtak kan bli varmt.
- **Forsiktig:** Tilgjengelige deler kan bli svært varme, bruk av vernehansker anbefales.
- Hold små barn borte fra apparatet.
- Bruk bare ute
- **MERK!** Hvis apparatet brukes i vind, må kuppelen brukes som vindskjerm, og settes på plass som vist i fig. 4.

Tilbakeløys

- I tilfelle tilbakeløys (der flammen brenner tilbake og tenner inne i brenneren eller venturi), slå umiddelbart av gasstilførselen ved å først lukke reguleringsventilen på gassbeholderen og deretter apparatets ventil. Etter at flammen er slukket, fjern regulatoren og sjekk tilstanden til tetningen. Skift tetningen hvis du er i tvil. Tenn apparatet på nytt som beskrevet i punkt 6 nedenfor. Hvis flammen lyser tilbake igjen, returnere produktet til en autorisert CADAC serviceverksted.

Lekkasje

- Hvis det er en lekkasje på apparatet (lukten av gass), umiddelbart lukk bryteren på gassflasken. Hvis du ønsker å sjekke for lekkasjer på apparatet, gjør det utenfor. Ikke prøv å oppdage lekkasjer ved hjelp av en flamme, bruk såpevann.
- Den korrekte måten er å smøre leddene med såpevann. Hvis en boble eller bobler dannes så er det en gasslekkasje. Slå av gasstilførselen umiddelbart først ved å lukke reguleringsventilen på gassbeholderen og deretter apparatets ventil. Kontroller at alle tilkoblinger er riktig montert. Kontroller med såpevann igjen. Hvis en gasslekkasje vedvarer, kan du returnere produktet til din CADAC forhandler for inspeksjon/reparasjon.
- Kontroller for lekkasjer på halen av ventilen og på sylindereens regulatormontering med gassen åpen på sylindere, men ikke åpen eller slått på med apparatets kontrollbryter.



Fig. 1

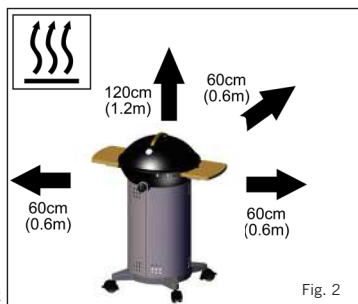


Fig. 2



Fig. 3



Fig. 4

4. Kombo

Citi Chef 50 BBQ Combo (Produktkode: 20162-20)

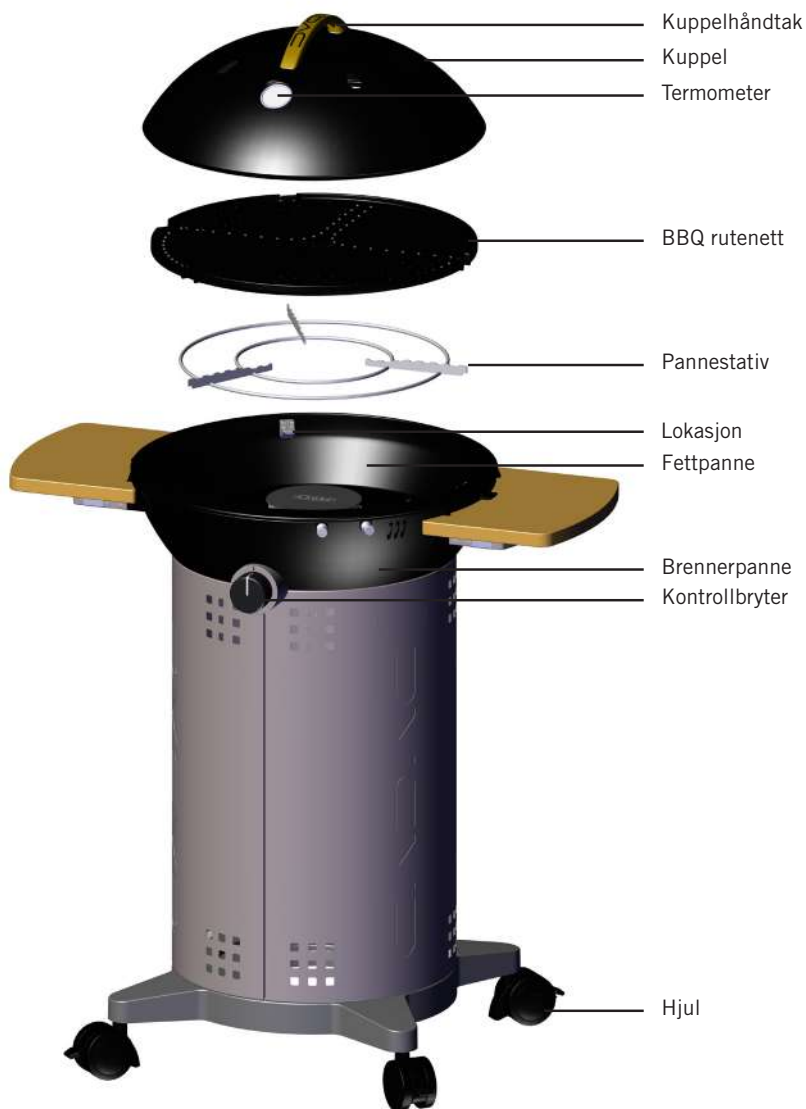


Fig. 6a

5. Montering og endring av slange og gassflaske

- **MERK!** Når du installerer halen, sørg for at den holdes rett mens du strammer halens mutter, for å hindre en mulig gasslekkasje. Skru fast med passende fastnøkkel. (Fig. 10)
- I 3B/P (30), I 3B/P (37) og I 3+ (28-30/37) Apparatets kategorier: Monter ventilens haleled på ventilen ved å skru den på mot klokken. Skyv en godkjent slange på ventilens haleled til den er på plass. På den andre enden, feste en passende lav trykkregulator (I3B / P (30): 30mbar Butan / Propan konfigurasjoner regulator; I3 + (28-30/37): 30mbar Butan regulator eller 37mbar Propan regulator), I3B / P (37) : 37mbar Butan / Propan konfigurasjoner regulatorer). Den type slange som brukes skal være i samsvar med relevante EN-standard og finne kravet. I Sør-Afrika må regulatoren brukes være i samsvar med SANS 1537.
- I 3B/P (50) Apparatets kategori: Skru en slange med de riktige beslagene på hver ende, på venstre hånd ¼" BSP gjenge i ventilen. Fest en egnet 50 mbar lavtrykkregulator på den andre enden av slangen. Slangemonteringen brukes må være i samsvar med DIN 4815 del 2 eller tilsvarende.
- Slangens lengde bør ikke være mindre enn 800 mm, og skal ikke overstige 1,5. Sjøkk utløpsdatoen på slangen og bytt den når det er nødvendig eller når nasjonale regelverk krever det.
- Ikke vri eller klemme slangen. Pass på at slangen ikke kommer i kontakt med noen overflater som ville bli varm under bruk.
- Før montering av regulatoren til en gassbeholder, sørg for at forseglingen på regulatoren er i posisjon og i god stand. Dette bør gjøres med hver tilkobling og før hver bruk.
- Før du monterer gassflasken, sikre at alle ventilene er i "OFF"-posisjon ved å vri kontrollen med urviseren til stopp.
- Sørg for at gassbeholderen er montert eller byttes på et godt ventilert rom, helst utendørs, vekk fra alle antennelseskilder som for eksempel åpen ild eller elektriske branner og bort fra andre mennesker.
- Sørg for at gassbeholderen holdes oppreist, skru regulatoren på beholderen til den er festet helt. Stram til med hånden.
- Hvis det er en lekkasje på apparatet (luften av gass), steng flaskeventilen umiddelbart og følg prosedyren for å oppdage og stoppe en lekkasje under pkt. 3. Hvis du ønsker å se etter lekkasjer på apparatet, gjør det utenfor med bare såpevann, som er brukt i leddene. En dannelse av bobler indikerer gasslekkasje.
- Kontroller at alle tilkoblinger er godt festet og sjekk på nytt med såpevann. Hvis du ikke kan rette på gasslekkasjen, ikke bruk apparatet. Kontakt din lokale CADAC-forhandler for å få hjelp.
- Når du bytter en gassbeholder, først lukk beholderens ventil (hvis den er montert) og deretter vri kontrollbryteren med klokken til stopp.
- Sikre at flammen er slukket, skru av regulatoren. Monter en full beholder og følg samme forholdsregler som er beskrevet ovenfor.

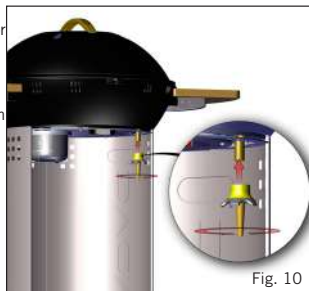


Fig. 10

6. Tenne apparatet

Forholdsregler som skal observeres før tenning.

- Etter langvarig lagring, inspisere luftehullene i ventildekset for insekter, som kan påvirke gassstrømmen. Inspisere innløpet Venturi for insekter. Etter kontroll, montere alle komponentene i den foreskrevne posisjonen.
- **Bruk apparatet kun på et fast underlag.**
[Ved hjelp av kontrollbryteren](#)
- Kontrollbryteren er utstyrt med to positive stopposisjoner, ett lavt og ett på tenning/høy. Dette begrenser justeringen av flammer til mellom disse to punktene.
[Tenne ved hjelp av Piezo tenneren](#)
- For å tenne apparatet ved hjelp av piezo tenneren, trykk inn og vri kontrollbryteren mot klokken til du hører et klikk. Hvis gassen ikke tenner på første gnist, trykk inn og vri bryteren med klokken. Prøv igjen, ved å trykke inn og vri bryteren mot klokken til du hører et klikk. Hvis gassen ikke er antent i de første to til tre sekundene, bør du lukke ventilen ved å trykke inn bryteren, og vri den helt med klokken. Vent omtrent tretti sekunder for å la eventuell akkumulert gass i brennerpannen strømme ut. Gjenta prosessen ovenfor om nødvendig til flammen tennes. Flammen skal normalt tennes i løpet av de første ett eller to sekundene.
[Tennes ved hjelp av en BBQ tenner](#)
- Når du starter den kaldt, kan apparatet bli tent fra toppen før du monterer den ønskede kokeflaten på fettpannen. Når du tenner opp et varmt apparat er det imidlertid anbefalt at dette gjøres ved å stikke grilltenneren gjennom en av luftkanalene under brenneren, før den er i tråd med brenneren (IKKE plasser grilltenneren gjennom det store hullet rett under brenneren). Tenn grilltenneren. Mens grilltenneren lyser, trykk inn og vri bryteren mot klokken for å tenne brenneren.
[Generelt](#)
- Når apparatet er tent, kan flammeintensiteten justeres ved å vri ventilen mot klokken for å redusere flammen, eller med klokken for å øke flammen.
- Flammen kan observeres gjennom inspeksjonshull tilgjengelig for dette formålet på siden av fettpannen.
- Når du tilbereder mat med høyt fettinnhold, kan faking forekomme hvis den valgte varmeinnstillingen er for høy. Skru varmen ned til faking opphører hvis dette oppstår.
- Ikke flytt på apparatet når det er i bruk da, bortsett fra å være en usikker praksis, å flytte apparatet mens det er tent, kan forårsake faking.
- Lukk ventilen på gassbeholderen etter bruk (der det er aktuelt). Når flammen har slukket, steng ventilen på apparatet ved å trykke inn og vri kontrollbryteren helt med klokken.

7. Bruke apparatet og dets varmekilde



Fig. 11

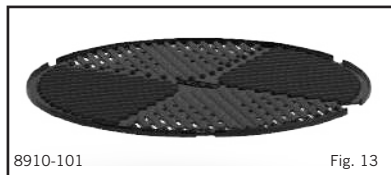


Fig. 13



Fig. 15

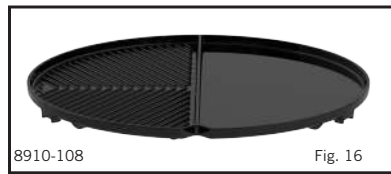


Fig. 16



Fig. 17



Fig. 18

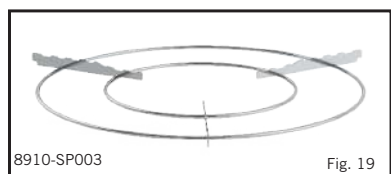


Fig. 19

Grill-rutenett (Fig. 13)

- Grill-rutenettet finnes på tre steder i fettpannen (fig. 11).
- Tilgjengelig som et ekstra tilbehør og reservedeler.
- Belegg.
- Ikke bruk kjøkkenutstyr i metall, da dette vil føre til skader på belegget.
- Ideell for grilling av kjøtt, fisk, kylling og grønnsaker.
- En praktisk bæreseske følger med denne platetoppen.
- **ADVARSEL:** Vi anbefaler bruk av hansker ved håndtering av grill-rutenett.

Panne (Fig. 15)

- Pannen med belegg finnes på tre steder i fettpannen (fig. 11).
- Tilgjengelig som et ekstra tilbehør og reservedeler (ikke inkludert).
- Belagte overflater.
- Ikke bruk kjøkkenutstyr i metall, da dette vil føre til skader på belegget.
- **ADVARSEL:** Under forvarming, ikke bruk pannen med belegg på en høy flammestilling med kuppelen i mer enn 15 minutter, da dette kan skade belegget og pannen.
- **ADVARSEL:** Vi anbefaler bruk av hansker ved håndtering av pannen.

BBQ® Plancha (Fig. 16)

- Grillen Plancha gir maksimal fleksibilitet med åpen grill grill på den ene siden og flat grillpanne på den andre.
- Tilgjengelig som et ekstra tilbehør og reservedeler (ikke inkludert).
- Det keramiske belagte toppen er enkel å bruke og rengjøre.
- En praktisk bæreseske er inkludert.
- **ADVARSEL:** Vi anbefaler bruk av hansker ved håndtering av BBQ Plancha.

Langpanne (Fig. 17)

- Tilgjengelig som et ekstra tilbehør og reservedeler (ikke inkludert).
- Porselen emaljebelagt overflate.
- Ideell for å utarbeide stekt kylling, lam, grønnsaker, osv.
- Porselen emaljebelagt overflate.
- **ADVARSEL:** Vi anbefaler bruk av hansker ved håndtering av langpannen.

Pizzastein (Fig. 18)

- Tilgjengelig som et ekstra tilbehør og reservedeler (ikke inkludert).
- 10 mm tykk bakestein som kan tåle temperaturer på opptil 500°C.
- Inkluderer nikkelbelagt ledningsholder.
- **ADVARSEL:** Vi anbefaler bruk av hansker ved håndtering av bakesteinen.

Pannestativ (Fig. 19)

- Nikkelbelagt pannestativ, for å støtte de fleste panner i standard størrelse.
- Tilgjengelig som et ekstra tilbehør og reservedeler.
- **ADVARSEL:** Vi anbefaler bruk av hansker ved håndtering av pannestativet.

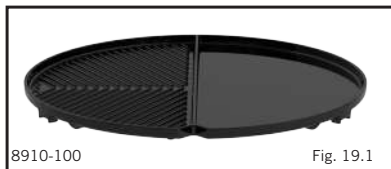


Fig. 19.1

Grill2Braai (Fig. 19.1)

- Tilgjengelig som et ekstra tilbehør og reservedeler (ikke inkludert).
- Grill2Braai finnes på tre steder i fettpannen (fig. 11).
- Belagte overflater.
- Ikke bruk kjøkkenutstyr i metall, da dette vil føre til skader på belegget.
- Den flate halvdel er ideell for steking av fisk, frokost og pannekaker, mens den ribbede halvdel er ideell for grilling av kjøtt, fisk, kylling og grønnsaker.
- En praktisk bæreseske følger med denne platetoppen.
- **ADVARSEL:** Vi anbefaler bruk av hansker når du håndterer Grill2Braai.

- **VIKTIG!** For å sikre gyldigheten av garantien, må du bare bruke dedikert CADAC overflater.
- **MERK!** Alltid bruk vindsjerm hvis du bruker apparatet i vindfulle forhold.

8. Generelt vedlikehold

- Vedlikehold av dette apparatet hviler utelukkende på forbrukeren fra kjøpsdato. Dette apparatet krever ikke planlagt vedlikehold.
Erstatte en blokkert jet:
- Din Citi Chef er utstyrt med en jet i en bestemt størrelse for å regulere riktig mengde gass.
- Dersom hullet i jeten blir blokkert, kan dette resultere i en liten flamme eller ingen flamme i det hele tatt. Ikke forsøk å rengjøre jeten med en nål eller annen slik enhet da dette kan skade åpningen, noe som kan gjøre apparatet usikkert.
- **Skifte ut dysen:** Trekk ut bakplaten med håndtaket (fig. 20). Fjern lokket, grillristen, gryteholderen og eventuelle andre løse deler fra grillen. Skru løs de 3 skruene fra undersiden av grillen (fig. 21) slik at brenneren løsner. Løft brenneren forsiktig ut (fig. 22). Vær oppmerksom på at brenneren er festet til ledningen til piezotenneren. IKKE rykk brenneren hardt ut, da risikerer du at ledningen til piezotenningen rives over. Legg brenneren forsiktig til side slik at dysen (fig. 23) blir tilgjengelig. Dysen kan nå fjernes med en egnet skrunøkkel. Ikke bruk tang, for dette kan skade dysen slik at den blir ubrukelig eller ikke lar seg fjerne. Skru den nye dysen inn i ventilen. Ikke stram for hardt, for dette kan ødelegge dysen.
- Bruk omvendt fremgangsmåte for å re-montere apparatet.
Bytte ut slangen:
- Montering av en slange er beskrevet i kapittel 5 - Montering og bytte ut slangen og gassflasken.



Fig. 20

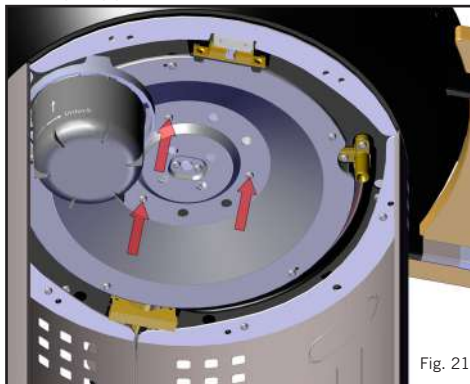


Fig. 21

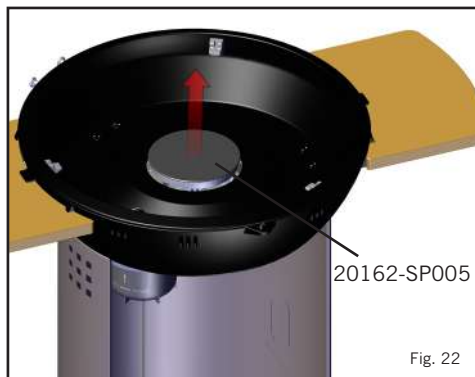


Fig. 22

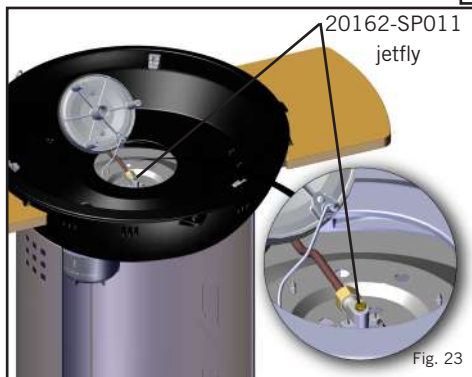


Fig. 23

9. Rengjøring

- **Merk:** For delereferanse (se kapittel 7)
- **BBQ:** Fjern fett fra bunnen av fettpannen. Vask rutenettet i varmt vann med ikke-slipende vaskemiddel etter du har tørket av overflødig fett igjen etter koking.
- **Grill-lokk:** Vask grill-lokket i varmt vann med et egnet ikke-slipende vaskemiddel. Ikke bruk skarpe metallgjenstander eller skuremidler, da dette vil skade overflatebelegget.
- **Merk:** Ovnsrens kan brukes ved vanskelige flekker.
- Stell av belagte overflater:
- Belagte overflater er belagt med et PTFE-belegg som har vært brukt med stor suksess på noen av de beste kokekarene i verden. Tar du vare på det kan det hjelpe deg å nyte ekstra år med sunn, enkel mat laget på slippbelegg.
- Bruk bare lave eller middels varmeinnstillinger for å beholde de verdifulle næringsstoffene i maten og opprettholde overflaten.
- Belegget kan lett bli skadet ved bruk av kjøkkenutstyr i metall.
- **NB! Det anbefales at bare kasseroller i plast eller tre brukes under matlaging.**
- Ikke overopphet overflatene og alltid legg litt matolje til overflaten før bruk.
- **La alltid overflatene kjøle seg ned før de senkes ned i vann.**
- Belegget er helt trygt i oppvaskmaskin, men overflaten er så lett å rengjøre at en rask håndvask holder. **Bruken av sterke rengjøringsmidler anbefales ikke, da dette vil føre til permanent skade på overflaten.**
- Etter rengjøring bør overflaten fuktes med litt vegetabilsk olje.
- Etter hver bruk, fjern fett fra fettpannen og rengjør som beskrevet for grillen ovenfor.

10. Lagring og transport

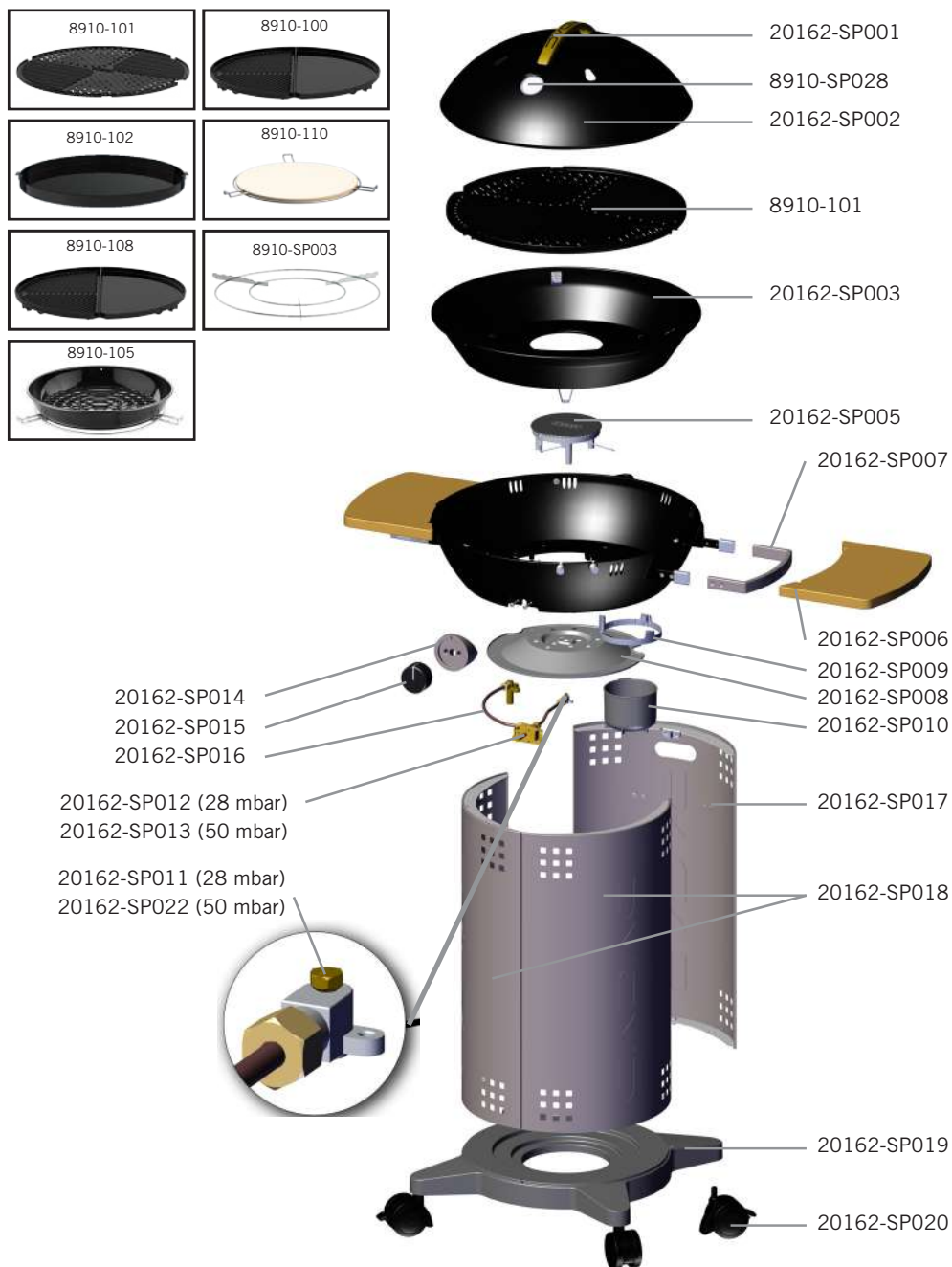
- Grill-lokket passer på baksiden av posen med tildelte bærestropper.
- Dersom apparatet fungerer unormalt etter lagring og alle kontrollene nevnt i pkt. 5 og 8 ikke har isolert noe problem, kan Venturi være blokkert. En blokkert Venturi ville vært angitt av en svakere gulaktig flamme eller ingen flamme i det hele tatt i ekstreme tilfeller. Under disse forholdene vil det være nødvendig å fjerne brenneren, som beskrevet under punkt 8 - Generelt vedlikehold, og for å kontrollere og rengjøre fremmedlegemer som kan ha blitt oppsamlet i Venturi.

11. Returnere apparatet for reparasjon eller service

- Ikke endre apparatet, da dette kan være farlig.
- Hvis du ikke kan rette opp en feil ved å følge disse instruksene, kontakt din lokale CADAC-distributør for informasjon om hvordan du returnerer produktet for service.
- Din CADAC Citi Chef er garantert av CADAC for en periode på 5 år mot fabrikkfeil.

12. Reservedeler og tilbehør

- Bruk alltid originale CADAC-reservedeler siden de har blitt designet for å gi optimal ytelse.



ATTENZIONE

IT

Esclusivamente per l'uso all'aperto! Questo apparecchio non può essere utilizzato in un'area di intrattenimento, una veranda o un balcone esterni chiusi!

IMPORTANTE

Leggere attentamente le presenti istruzioni d'uso per familiarizzare con l'apparecchio prima di collegarlo al contenitore del gas. Conservare queste istruzioni per futuro riferimento.

1. Introduzione

- Questo apparecchio è stato progettato per essere utilizzato per cucinare all'aperto, in particolare su terrazzi.
- Vari tipi di cibo possono essere preparati con questo apparecchio. L'Urban Chef 50 è progettato per utilizzare diversi piani di cottura.
- Il gas viene fornito all'apparecchio tramite un tubo ed un regolatore. Il tubo ed il regolatore possono essere collegati ad una bombola di gas (non fornita con l'apparecchio).
- Accendere e fare funzionare l'unità è semplice (vedere descrizione nella Sezione 6) e l'utente può controllare l'alimentazione di calore utilizzando una valvola regolabile.

2. Informazioni generali

- Questo apparecchio è conforme alle norme EN498:2012, EN484:1997 e SANS 1539:2012
- Questo apparecchio può essere utilizzato esclusivamente con un tubo e un regolatore omologati (tubo e regolatore forniti insieme all'unità in SA)
- **Avvertenza:** I componenti accessibili possono essere molto caldi. Tenere lontani i bambini.
- Utilizzare esclusivamente con una bombola del gas che non supera i 500 mm di altezza e 350mm in larghezza (Compreso il regolatore)
- Gli apparecchi a gas necessitano di ventilazione per dare prestazioni efficienti e assicurare la sicurezza degli utilizzatori e di altre persone che si trovino nelle immediate vicinanze; di conseguenza, non utilizzate l'apparecchio in aree non ventilate. Esclusivamente per uso all'aria aperta.
- Leggere attentamente le presenti istruzioni prima di utilizzare l'apparecchio.
- **Utilizzare esclusivamente all'esterno!**

Paese di utilizzo	BE, CH, CY, CZ, ES, FR, GB, GR, IE, IT, LT, LU, LV, PT, SK & SI	PL	BE, CY, DK, EE, FR, FI, HU, IT, LT, NL, NO, SE, SI, SK, RO, HR, TR, BG, IS, LU, MT, & ZA	AT, CH, DE & SK	
Categorie apparecchio	I _{3+(28-30/37)}		I _{3B/P (37)}	I _{3B/P (30)}	I _{3B/P (50)}
Gas ammessi	Butano-G30	Propano-G31	Butano-G30, propano-G31 o loro miscele		
Pressione di funzionamento	28-30 mbar	37 mbar	37 mbar	28-30 mbar (Sudafrica 2.8 kPa)	50 mbar
Numero getti	0.95		0.91	0.95	0.85
Utilizzo nominale:	270 g/h				
Ingresso calore nom. lordo	3.7 kW				

Fonti di alimentazione del gas	Un tubo e un regolatore omologati collegati a un contenitore del gas ricaricabile che non superi i 9 kg e sia conforme alle norme locali in vigore
---------------------------------------	--

Nome paese e abbreviazioni:				
AE = United Arab Emirates	AL = Albania	AT = Austria	BE = Belgium	CH = Switzerland
CZ = Czech Republic	DE = Germany	DK = Denmark	ES = Spain	FI = Finland
FR = France	GB = United Kingdom	GR = Greece	HR = Croatia	IT = Italy
JP = Japan	KR = Korea	NL = Netherlands	NO = Norway	PL = Poland
PT = Portugal	RO = Romania	RU = Russia	RS = Serbia	SI = Slovenia
SK = Slovakia	SE = Sweden	TR = Turkey	ZA = South Africa	

3. Norme di sicurezza

Tube

- Questo apparecchio può essere utilizzato esclusivamente all'aria aperta.
- Questo apparecchio viene fornito con un tubo e un regolatore (solo SA).
- Prima di ogni utilizzo e prima di collegarlo al contenitore del gas verificare che il tubo non sia usurato o danneggiato.
- Non utilizzare l'apparecchio se il tubo è usurato o danneggiato. Sostituire il tubo.
- Non utilizzare l'apparecchio se presenta perdite, è danneggiato o non funziona correttamente.

Contenitore del gas

- Utilizzare esclusivamente una bombola omologata in conformità con le normative in vigore nel vostro paese.
- Assicurarsi che la bombola del gas sia installata e sostituita in un luogo ben ventilato, preferibilmente all'aria aperta, lontano da qualsiasi sorgente di accensione, quali fiamme libere, piloti e fuochi elettrici, nonché lontano da altre persone.
- Tenere i contenitori del gas lontani dal calore e dalle fiamme. Non posizionare su un fornello o qualsiasi altra superficie calda.
- Le cartucce a gas/bombole ricaricabili devono essere utilizzate soltanto in posizione verticale in modo da assicurare un adeguato prelievo del combustibile. Il mancato rispetto di questa avvertenza può causare il riversamento di liquido dal contenitore del gas, determinando una condizione di funzionamento pericolosa.
- Non tentare di rimuovere la bombola mentre l'unità è in funzione.
- La bombola del gas deve essere scollegata dall'apparecchio dopo ogni utilizzo oppure quando l'apparecchio viene riposto.

Montaggio e utilizzo

- Utilizzare soltanto su una superficie piana stabile.
- Non spostare l'apparecchio mentre l'unità è in funzione.
- Qualora la schermatura anticalore, la bacinella per il grasso o la vaschetta copribriucatori si danneggino in modo tale che la schermatura anticalore e la bacinella per il grasso siano costantemente in contatto durante l'uso, non utilizzare l'apparecchio. Restituire l'apparecchio al fornitore Cadac per la riparazione.
- Assicurarsi che l'apparecchio venga utilizzato lontano da materiali infiammabili. Le distanze minime di sicurezza sono: Sopra all'apparecchio - 1,2 m. Sul resto e sui lati dell'apparecchio: 600 mm. (Vedere Fig. 2).
- **Attenzione:** Quando si utilizza l'apparecchio raccomandiamo l'impiego di guanti di protezione quando si rimuove e si posiziona il coperchio a cupola, dato che la maniglia dello stesso potrebbe scaldarsi.
- **Attenzione:** Le parti accessibili possono diventare molto calde, si raccomanda l'uso di guanti di protezione.
- Tenere i bambini lontani dall'apparecchio.
- **Utilizzare esclusivamente all'esterno**
- **NOTA!** Se l'apparecchio viene utilizzato in presenza di vento, usare il coperchio a cupola come protezione antivento posizionandolo come illustrato nella Fig. 4.

Ritorno di fiamma

- In caso di ritorno di fiamma (caso in cui la fiamma torna indietro e si accende all'interno del bruciatore o dell'alloggiamento del tubo Venturi), spegnere immediatamente l'alimentazione del gas chiudendo prima di tutto la valvola di controllo sul contenitore del gas e poi la valvola dell'apparecchio. Dopo aver spento la fiamma, rimuovere il regolatore e verificare lo stato della guarnizione; sostituire la guarnizione in caso di dubbio. Riaccendere l'apparecchio come descritto nella Sezione 6 qui di seguito. Se la fiamma dovesse continuare a presentare un ritorno di fiamma, restituire il prodotto al proprio agente di riparazione CADAC autorizzato.

Perdite

- Qualora l'apparecchio presenti una perdita (odore di gas), chiudere immediatamente la manopola di controllo presente sulla bombola del gas. Se si intende verificare la presenza di perdite sull'apparecchio, effettuare questa operazione all'aria aperta. Non cercare di individuare perdite utilizzando una fiamma; utilizzare acqua saponata.
- Il modo corretto consiste nell'applicare dell'acqua saponata sui punti di giuntura. Se si formano delle bolle, significa che c'è una perdita di gas. Spegnere immediatamente l'alimentazione del gas innanzitutto chiudendo la valvola di controllo presente sul contenitore del gas e poi chiudendo la valvola dell'apparecchio. Verificare che tutti i collegamenti siano realizzati in modo corretto. Verificare nuovamente con acqua saponata. Qualora la perdita di gas persista, restituire il prodotto al proprio rivenditore CADAC per una verifica/riparazione.
- Verificare la presenza di perdite sul raccordo vicino alla valvola e sul raccordo del regolatore della bombola con alimentazione del gas aperta sulla bombola ma non non aperta o accesa sulla manopola di controllo dell'apparecchio.



Fig. 1

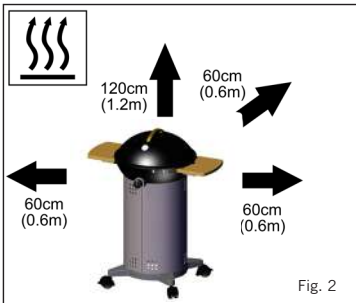


Fig. 2



Fig. 3



Fig. 4

4. Versioni Combo

Citi Chef 50 Combo Barbecue (Codice prodotto: 20162-20)



Fig. 6a

5. Installazione e sostituzione del tubo e della bombola del gas

- **NOTA!** Quando si installa il raccordo, assicurarsi di tenerlo dritto quando si stringe il dado del raccordo in modo da evitare possibili perdite di gas. Stringere con una chiave adatta. (Fig. 10)
- I 3B/P (30), I 3B/P (37) e I 3+ (28-30/37) Categorie apparecchio: Installare il raccordo valvola sulla valvola avvitandolo in senso antiorario. Premere un tubo omologato sul raccordo valvola fino a quando non è opportunamente inserito. All'altra estremità, collegare un regolatore adatto a bassa pressione (I3B / P (30): 30mbar Butano / Propano regolatore configurazioni; I3 + (28-30/37): regolatore 30mbar butano o regolatore propano 37 mbar); I3B / P (37) : butano 37 mbar / propano configurazioni regolatori). Ancora una volta, assicurarsi che il tubo sia ben inserito. Il tipo di tubo utilizzato deve essere conforme alla relativa norma EN e individuare il requisito. In Sudafrica, il regolatore deve essere conforme alla norma SANS 1537.
- I 3B/P (50) Categoria apparecchio: Avvitare i corretti raccordi filettati ad ogni estremità di un tubo, sul lato sinistro nel filetto da ¼" BSP della valvola. Collegare un adeguato regolatore per bassa pressione da 50 mbar all'altra estremità del tubo. Il gruppo del tubo flessibile utilizzato deve essere conforme alla norma DIN 4815 parte 2 o equivalente.
- La lunghezza del tubo non deve essere inferiore a 800 mm e non deve superare i 1,5 m. Verificare la data di scadenza sul tubo e sostituirlo se necessario o quando le normative nazionali lo impongono.
- Non attorcigliare o pizzicare il tubo. Assicurarsi che il tubo non entri in contatto con alcuna superficie che si scalda durante l'utilizzo.
- Prima di collegare l'apparecchio a un contenitore del gas, assicurarsi che la guarnizione sul regolatore sia in posizione e in buono stato. Questa operazione va effettuata a ogni collegamento e prima di ogni utilizzo.
- Prima di installare la bombola del gas, assicurarsi che le valvole siano tutte posizionate su "OFF", ruotando la manopola di controllo in senso orario fino alla posizione di arresto.
- Assicurarsi che la bombola del gas sia installata e sostituita in un luogo ben ventilato, preferibilmente all'aria aperta, lontano da qualsiasi sorgente di accensione, quali fiamme libere o fuochi elettrici, nonché lontano da altre persone.
- Assicurandosi che il contenitore del gas venga mantenuto in posizione verticale, avvitare il regolatore sul contenitore fino a quando non sarà completamente innestato. Serrare esclusivamente a mano.
- Se si rileva una perdita sull'apparecchio (odore di gas), chiudere immediatamente la valvola della bombola e seguire la procedura per rilevare e risolvere eventuali perdite descritta nella Sezione 3. Se si desidera verificare la presenza di perdite sull'apparecchio, farlo all'aria aperta utilizzando acqua saponata, applicandola sui punti di giuntura. Se si formano delle bolle significa che c'è una perdita di gas.
- Verificare che tutti i collegamenti siano innestati in modo sicuro e verificare nuovamente con acqua saponata. Se non si riesce a risolvere la perdita di gas, non utilizzare l'apparecchio. Contattare il proprio fornitore locale CADAC per assistenza.
- Quando si sostituisce un contenitore del gas, chiudere innanzitutto la valvola del contenitore (se installata) e poi ruotare la manopola di controllo in senso orario fino alla sua posizione di arresto.
- Dopo aver verificato che la fiamma sia spenta, svitare il regolatore. Reinstallare un contenitore pieno osservando le stesse precauzioni descritte in precedenza.

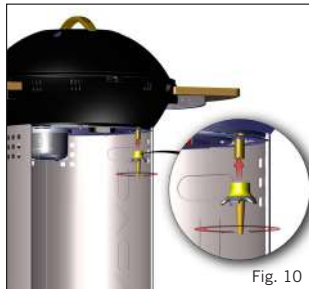


Fig. 10

6. Accensione dell'apparecchio

Precauzioni da adottare prima dell'accensione.

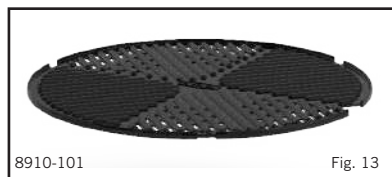
- Se l'apparecchio è stato riposto per lungo tempo, ispezionare i fori di ventilazione nel coperchio della valvola per individuare la presenza di eventuali insetti che potrebbe influenzare il flusso di gas. Verificare che non vi siano insetti nell'ingresso del tubo Venturi. Dopo questa verifica, reinstallare tutti i componenti nella posizione prevista.
- **Utilizzare l'apparecchio soltanto su una superficie piana stabile.**
Utilizzo della manopola di controllo
La manopola di controllo è dotata di due posizioni di arresto positive, una su Basso e una su Accendi/Alto. Questo limita la regolazione della fiamma tra questi due punti.
Accensione utilizzando un dispositivo di accensione piezoelettrico
- Per accendere l'apparecchio utilizzando il dispositivo di accensione piezoelettrico, premere e ruotare la manopola di controllo in senso antiorario fino a che non si sente un click. Se il gas non si accende alla prima scintilla, premere e ruotare la manopola di controllo completamente in senso orario. Provare nuovamente premendo e ruotando la manopola di controllo in senso antiorario fino a quando non si sente un click. Se il gas non si accende nei primi due o tre secondi, chiudere la valvola di controllo premendo la manopola di controllo e ruotarla completamente in senso orario. Attendere circa trenta secondi per fare sì che il gas accumulato nel gruppo vaschetta copribruciatore fuoriesca. Se necessario, ripetere il processo descritto in precedenza fino a quando la fiamma non si accende. Solitamente la fiamma si deve accendere entro uno-due secondi.
Accensione utilizzando un accendino per barbecue
- Quando si avvia da freddo, l'apparecchio può essere acceso da sopra prima di posizionare la superficie di cottura desiderata sopra alla bacinella per il grasso. Tuttavia, quando si accende l'apparecchio caldo, si raccomanda di farlo inserendo l'accendino per barbecue attraverso uno dei fori di ventilazione presenti sotto al bruciatore, fino a quando non sarà allineato al bruciatore (NON posizionare l'accendino per barbecue attraverso il foro largo direttamente sotto al bruciatore). Accendere l'accendino per barbecue. Mentre l'accendino per barbecue è acceso, premere e ruotare la manopola di controllo in senso antiorario in modo da accendere il bruciatore.
Generalità
- Dopo aver acceso l'apparecchio, è possibile regolare l'intensità della fiamma ruotando la manopola della valvola in senso antiorario per ridurre la fiamma o in senso orario per aumentarla.

- La posizione completamente chiusa si ha nella massima posizione ruotando la manopola in senso orario. Per ruotare la valvola a partire dalla posizione completamente chiusa è necessario innanzitutto premere la manopola quel tanto che basta per spostarla dal meccanismo di bloccaggio. Tenendo la manopola premuta, ruotarla in senso antiorario. Quando l'alberino è uscito dalla posizione di bloccaggio, non è più necessario tenere la manopola di controllo premuta e la si può ruotare liberamente fino a ottenere la regolazione della fiamma desiderata.
- Quando si cucinano cibi ad alto contenuto di grassi, possono divampare delle fiamme se l'impostazione del calore è troppo elevata. Qualora questo dovesse accadere, abbassare la regolazione del calore fino a quando le fiamme non smettono di divampare.
- Non spostare l'apparecchio mentre è in uso: oltre a essere un'operazione pericolosa, spostare l'apparecchio mentre è acceso può fare divampare fiamme.
- Dopo l'uso, chiudere innanzitutto la valvola sul contenitore del gas (ove applicabile). Quando la fiamma si è spenta, chiudere la valvola sull'apparecchio premendo e ruotando la manopola di controllo completamente in senso orario.

7. Utilizzo dell'apparecchio e delle sue superfici di cottura



Fig. 11



8910-101

Fig. 13

Griglia barbecue (Abb. 13)

- La griglia barbecue si posiziona su tre posizionatori pressofusi presenti nella bacinella per il grasso (Fig. 11).
- Disponibile anche come accessorio aggiuntivo e ricambio
- Superficie di cottura rivestita in materiale antiaderente
- Non utilizzare utensili per la cottura in metallo, poiché questo danneggerà il rivestimento antiaderente.
- Ideale per grigliate di carni, pesce, pollo e verdure
- Questa superficie di cottura è corredata di una pratica sacca per il trasporto.
- **AVVERTENZA:** Si raccomanda l'uso di guanti quando si maneggia la griglia barbecue.

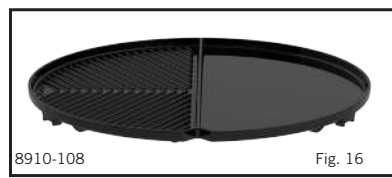


8910-102

Fig. 15

Padella chef (Abb. 15)

- La padella chef si posiziona su tre posizionatori pressofusi presenti nella bacinella per il grasso (Fig. 11).
- Disponibile anche come accessorio aggiuntivo e ricambio (non incluso)
- Superficie di cottura rivestita in materiale antiaderente.
- Non utilizzare utensili per la cottura in metallo, poiché questo danneggerà il rivestimento antiaderente.
- **AVVERTENZA:** In fase di pre-riscaldamento, non utilizzare la padella chef su una regolazione di fiamma alta con coperchio a cupola per più di 15 minuti, poiché questo potrebbe danneggiare il rivestimento antiaderente e la padella.
- **AVVERTENZA:** Si raccomanda l'uso di guanti quando si maneggia la padella chef.



8910-108

Fig. 16

BBQ @ Plancha (Fig. 16)

- Il barbecue Plancha offre la massima versatilità con barbecue grill aperta su un lato e piastra bistecchiera sull'altro.
- Disponibile anche come accessorio aggiuntivo e ricambio (non incluso)
- La parte superiore rivestita in ceramica è facile da usare e da pulire.
- Una comoda borsa per il trasporto è inclusa.
- **AVVERTENZA:** Si raccomanda l'uso di guanti quando si maneggia il BBQ Plancha.



8910-105

Fig. 17

Bratpfanne (Abb. 17)

- Disponibile anche come accessorio aggiuntivo e ricambio (non incluso)
- Superficie di cottura rivestita con smalto porcellanato
- Ideale per arrostiti pollo, agnello, verdure, ecc.
- Superficie di cottura rivestita con smalto porcellanato
- **AVVERTENZA:** Si raccomanda l'uso di guanti quando si maneggia il tegame per arrosto.

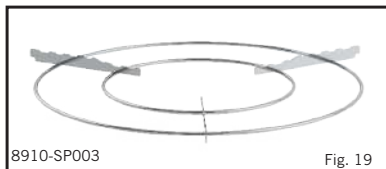


8910-110

Fig. 18

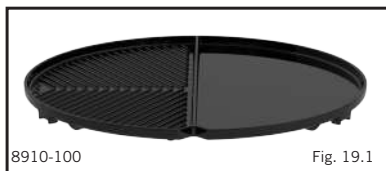
Pietra per Pizza (Abb. 18)

- Disponibile anche come accessorio aggiuntivo e ricambio (non incluso)
- Pietra ollare spessa 10 mm che resiste a temperature fino a 500 °C
- Include un supporto a filo nichelato.
- **AVVERTENZA:** Si raccomanda l'uso di guanti quando si maneggia la pietra ollare.



8910-SP003

Fig. 19



8910-100

Fig. 19.1

Supporto pentole (Abb. 19)

- Supporto pentole nichelato per sostenere pentole delle principali dimensioni standard.
- Disponibile anche come accessorio aggiuntivo e ricambio.
- **AVVERTENZA:** Si raccomanda l'uso di guanti quando si maneggia il supporto pentole.

Grill 2Braai (Abb. 19.1)

- Disponibile anche come accessorio aggiuntivo e ricambio (non incluso)
- Il Grill2Braai si posiziona su tre posizionatori pressofusi presenti nella bacinella per il grasso (Fig. 11).
- Superficie di cottura rivestita in materiale antiaderente.
- Non utilizzare utensili per la cottura in metallo, poiché questo danneggerà il rivestimento antiaderente.
- La metà liscia è ideale per cucinare pesce, colazioni e frittelle; mentre quella ondulata è ideale per grigliare carne, pesce, pollo e verdure.
- Questa superficie di cottura è corredata di una pratica sacca per il trasporto.
- **AVVERTENZA:** Si raccomanda l'uso di guanti quando si maneggia il Grill 2Braai.

- **IMPORTANTE!** Per assicurare la validità della garanzia, utilizzare esclusivamente soltanto CADAC dedicate.
- **NOTA!** Utilizzare sempre la protezione antivento, quando si usa l'apparecchio in presenza di vento.

8. Manutenzione generale

- L'onere di effettuare la manutenzione di questo apparecchio spetta esclusivamente al consumatore a partire dalla data di acquisto. Questo apparecchio non richiede alcuna manutenzione programmata.
- Sostituire un getto bloccato
- Il Citi Chef è dotato di un getto di dimensione specifica per regolare la corretta quantità di gas.
- Se il foro sul getto si bloccasse, si potrebbe avere una fiamma ridotta o addirittura nessuna fiamma. Non cercare di pulire il getto con uno spillo o simili, poiché questo potrebbe danneggiare l'orifizio e questo renderebbe l'apparecchio non sicuro.
- Per sostituire l'ugello: Estrarre il pannello posteriore utilizzando la maniglia (fig. 20) rimuovere il coperchio, la griglia barbecue, il supporto portapentole e gli altri elementi non fissi dall'apparecchio. Ora svitare le 3 viti poste sotto l'apparecchio come mostrato nella figura 21, allentando il bruciatore. Ora rimuovere il bruciatore delicatamente sollevandolo (figura 22), si noti che è attaccato al filo di accensione piezo. **NON** estrarre il bruciatore altrimenti si rischia di rompere il cavo di accensione piezoelettrica dell'apparecchio. Appoggiare delicatamente il bruciatore su un lato, rendendo in tal modo visibile l'ugello (fig. 23). Il getto può essere rimosso utilizzando una chiave adatta. Non usare pinze sull'ugello in quanto ciò potrebbe danneggiare l'ugello stesso, rendendolo inutilizzabile o impossibile da rimuovere. Avvitare il nuovo ugello nella valvola. Non serrare eccessivamente per evitare di danneggiare il l'ugello.
- Eseguire la procedura di cui sopra in senso inverso per rimontare l'unità.
- Sostituire il tubo:
- L'installazione di un tubo è descritta nella Sezione 5 - Installazione e sostituzione del tubo e della bombola di gas.



Fig. 20

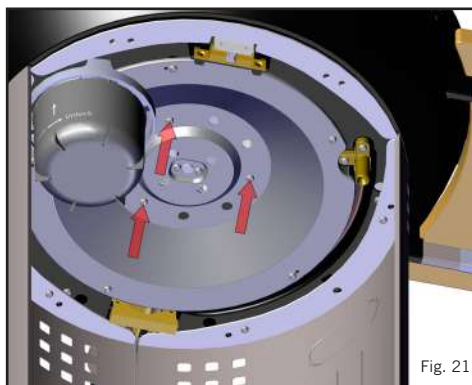


Fig. 21

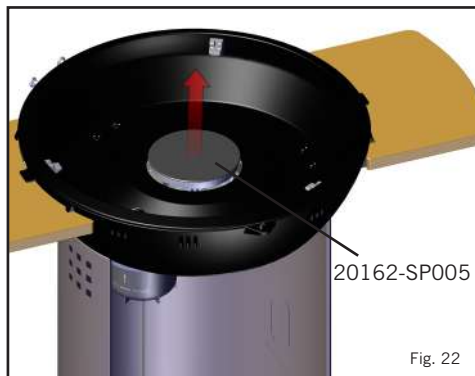


Fig. 22

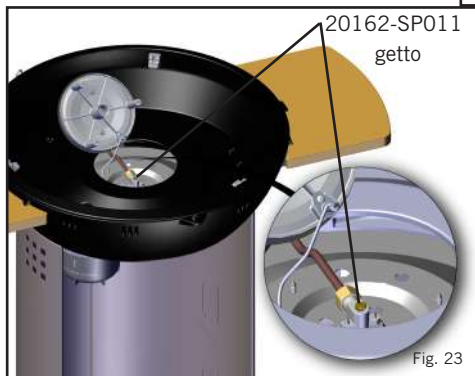


Fig. 23

9. Pulizia

- **Nota:** Per il riferimento ai componenti (Vedere la Sezione 7)
- **Barbecue:** Rimuovere il grasso dalla scanalatura sul fondo della bacinella per il grasso e eseguire la pulizia come descritto. Lavare la griglia in acqua tiepida con detergente non abrasivo dopo aver rimosso qualsiasi eccesso di grasso rimasto dopo la cottura.
- **Coperchio barbecue:** Lavare il coperchio barbecue in acqua tiepida utilizzando un adeguato detergente non abrasivo. Evitare l'uso di oggetti metallici taglienti o detersivi abrasivi, poiché questo danneggia il rivestimento della superficie.
- **Nota:** In caso di macchie resistenti, si può utilizzare un detergente per forni.
- Cura delle superfici di cottura antiaderenti:
- Le superfici di cottura antiaderenti sono rivestite con un rivestimento in PTFE antiaderente che è stato utilizzato con grande successo su alcuni dei migliori utensili da cucina al mondo. Tuttavia, prendersi cura di tale rivestimento può essere utile per potersi godere degli anni in più di cottura antiaderente, semplice e sana.
- Utilizzare soltanto regolazioni di calore medie e basse aiuta a conservare i nutrienti importanti presenti nel cibo e a preservare la superficie di cottura antiaderente.
- Il rivestimento antiaderente può essere danneggiato facilmente dall'uso di utensili da cucina in metallo.
- **NB! Si raccomanda di utilizzare esclusivamente utensili in plastica o legno durante la cottura.**
- Non surriscaldare le superfici di cottura antiaderenti e aggiungere sempre un po' di olio da cucina alla superficie prima dell'uso.
- **Lasciare sempre raffreddare le superfici antiaderenti prima di immergerle in acqua.**
- Il rivestimento antiaderente è perfettamente sicuro in lavastoviglie, ma la superficie antiaderente è così facile da pulire che un rapido lavaggio a mano risolve tutto. **L'uso di detersivi abrasivi non è raccomandato poiché danneggerà in modo permanente la superficie antiaderente.**
- Dopo la pulizia, ripristinare la superficie strofinandoci sopra un leggero strato di olio vegetale.
- Dopo ogni uso, rimuovere il grasso dalla bacinella per il grasso e pulire come descritto in precedenza per il barbecue.

10. Riporre e trasportare l'apparecchio

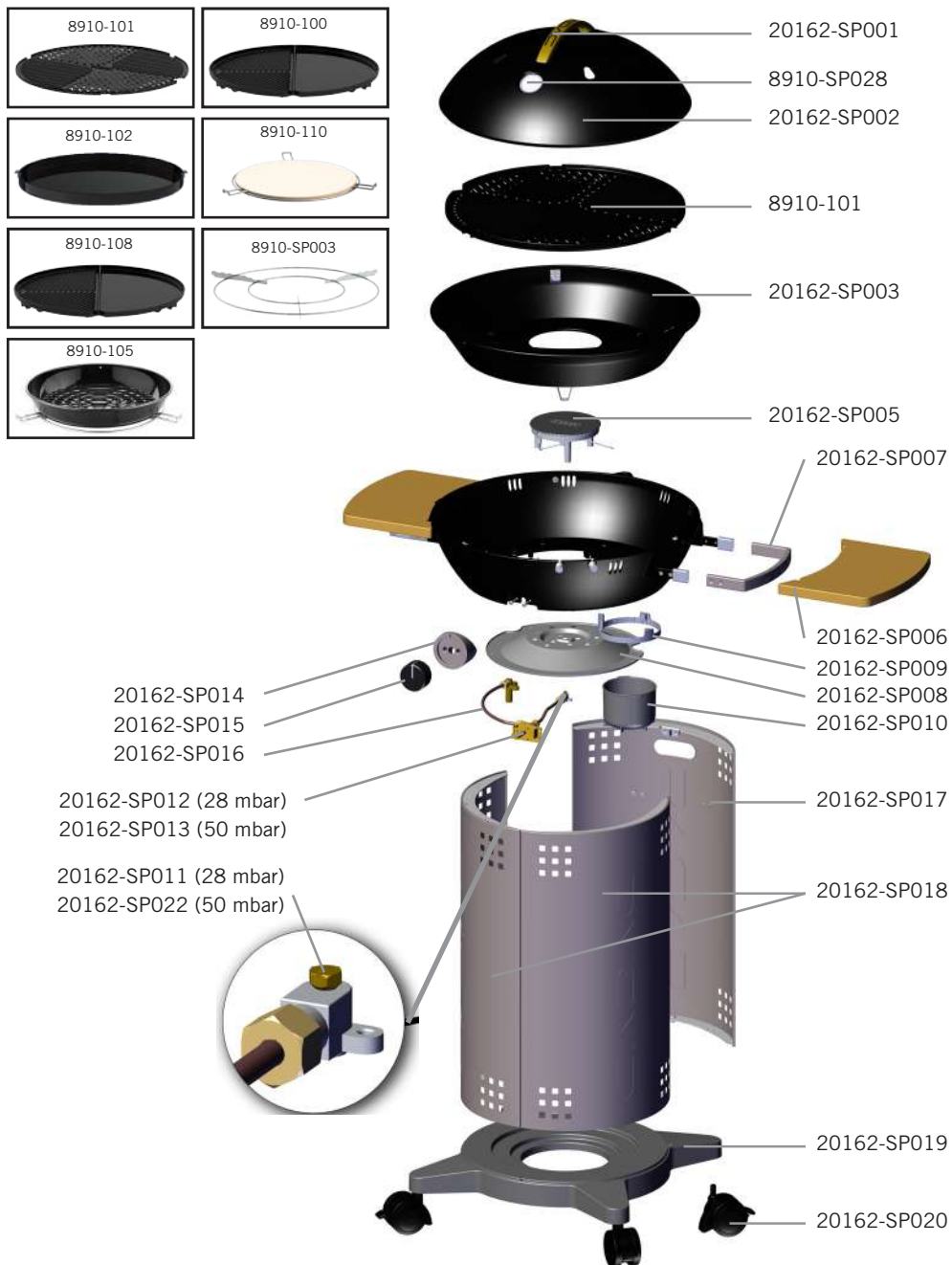
- Il coperchio barbecue trova posto sul retro della sacca utilizzando le fascette di supporto messe a disposizione.
- Se l'apparecchio dovesse presentare un funzionamento anomalo dopo averlo riposto e se tutte le verifiche di cui alle Sezioni 5 e 8 non hanno consentito di individuare alcun problema il tubo Venturi potrebbe essere bloccato. Un tubo Venturi bloccato verrebbe indicato da una fiamma più debole di colore giallastro o dall'assenza di fiamma, nei casi estremi. In questo caso è necessario rimuovere il bruciatore come descritto nella Sezione 8 - Manutenzione generale e verificare e rimuovere attentamente qualsiasi materiale estraneo che possa essersi depositato nel tubo Venturi.

11. Restituzione dell'apparecchio per interventi di riparazione o assistenza

- Non modificare questo apparecchio, poiché potrebbe essere pericoloso.
- Se non si riesce a risolvere un problema seguendo le presenti istruzioni, contattare il proprio distributore CADAC locale per avere dettagli in merito a come rendere il prodotto perché il problema venga risolto.
- CADAC Citi Chef è garantito da CADAC per un periodo di 5 anni contro vizi di fabbricazione.

12. Parti di ricambio e accessori

- Usare esclusivamente i ricambi originali CADAC, che sono garanzia di massime prestazioni.



PRECAUCIÓN

Exclusivamente para el uso al aire libre.



Este aparato no puede ser utilizado en balcones, porches o zonas de ocio exteriores que estén cerrados.

IMPORTANTE

Lea atentamente estas instrucciones de uso para familiarizarse con el aparato antes de conectarlo a la botella de gas. Conserve estas instrucciones para su consulta en el futuro.

1. Introducción

- Este producto ha sido diseñado para uso exterior, y en especial para terrazas
- Este producto permite preparar diferentes tipos de comida, El Citi Chef 50 está diseñado para utilizar distintas superficies de cocción
- El gas se suministra vía una manguera y un adaptador que se conectan a la bombona de gas (la manguera y el adaptador no se incluyen en este producto)
- La unidad es fácil de encender y usar (se describe su uso más adelante en la sección 6) y el usuario puede controlar la entrada de calor con una válvula ajustable.

2. Información General

- Este aparato cumple las normas EN498:2012, EN484:1997 y SANS 1539:2012
- Este aparato solo se debe utilizar con una manguera y un regulador homologados (la manguera y el regulador suministrados con la unidad en Sudáfrica)
- Aviso: Las partes accesibles pueden estar muy calientes. No permita a los niños que se acerquen.
- Solo puede utilizarse con una botella de gas que no exceda los 500 mm de altura y 350mm de ancho (Incluyendo el regulador).
- Los aparatos de gas requieren de ventilación para un rendimiento eficaz y para garantizar la seguridad de los usuarios y demás personas en las proximidades, así que no use el aparato en una zona sin ventilación. Está diseñado exclusivamente para uso al aire libre.
- Lea atentamente estas instrucciones antes de utilizar el aparato.
- Utilizar solo en exteriores.

País de Uso	BE, CH, CY, CZ, ES, FR, GB, GR, IE, IT, LT, LU, LV, PT, SK & SI	PL	BE, CY, DK, EE, FR, FI, HU, IT, LT, NL, NO, SE, SI, SK, RO, HR, TR, BG, IS, LU, MT, & ZA	AT, CH, DE & SK	
Categorías de aparatos	I ₃₊ (28-30/37)		I _{3B/P} (37)	I _{3B/P} (30)	I _{3B/P} (50)
Gases presión	Butano-G30	Propano-G31	Butano-G30, propano-G31 o sus mezclas		
De funcionamiento admisibles	28-30 mbar	37 mbar	37 mbar	28-30 mbar (Sudáfrica 2.8 kPa)	50 mbar
Número de inyector	0.95		0.91	0.95	0.85
Uso nominal	270 g/h				
Entrada bruta nominal de calor	3.7 kW				
Fuentes de suministro de gas	Una manguera y regulador homologados conectados a una botella de gas recargable no superior a 9 kg y de conformidad con la normativa local en vigor.				

Nombres y abreviaturas de países:

AE = United Arab Emirates	AL = Albania	AT = Austria	BE = Belgium	CH = Switzerland
CZ = Czech Republic	DE = Germany	DK = Denmark	ES = Spain	FI = Finland
FR = France	GB = United Kingdom	GR = Greece	HR = Croatia	IT = Italy
JP = Japan	KR = Korea	NL = Netherlands	NO = Norway	PL = Poland
PT = Portugal	RO = Romania	RU = Russia	RS = Serbia	SI = Slovenia
SK = Slovakia	SE = Sweden	TR = Turkey	ZA = South Africa	

3. Información sobre seguridad

Manguera

- Este aparato solo puede utilizarse al aire libre.
- Con este aparato se suministra una manguera y un regulador (solo en Sudáfrica)
- Antes de cada uso y antes de conectar a la botella de gas, hay que comprobar si la manguera presenta desgaste o daño.
- No utilice el aparato si tiene la manguera dañada o desgastada. Cambie la manguera.
- No utilice el aparato si presenta fugas, daños o no funciona correctamente.

Botella de gas

- Utilice una botella que esté homologada por la normativa de su país.
- Asegúrese de que la botella de gas se instala o sustituye en un lugar bien ventilado, preferiblemente situado en el exterior, alejado de cualquier fuente de ignición (tal como llamas desprotegidas, llamas piloto, estufas eléctricas) y alejado de otras personas.
- Mantenga las botellas de gas, lejos de fuentes de calor y llamas. No las coloque sobre una estufa o cualquier otra superficie caliente.
- Los cartuchos/botellas recargables de gas solo se utilizarán en posición vertical a fin de asegurar la correcta extracción del combustible. No hacerlo puede provocar una descarga del líquido del recipiente del gas y la creación de un entorno funcional peligroso.
- No intente retirar la botella mientras la unidad esté en funcionamiento.
- Hay que desconectar la botella del aparato después de su uso o durante el almacenamiento.

Montaje y uso

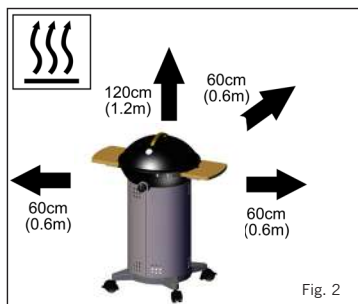
- Utilícelo siempre sobre una superficie firme y nivelada.
- No mueva el aparato mientras esté en funcionamiento.
- Si la protección térmica, la bandeja para la grasa o la bandeja del quemador se dañan de tal manera que se produce un contacto permanente entre la protección térmica y la bandeja para la grasa durante su uso, no utilice el aparato. Lleve la unidad a su distribuidor CADAC para su reparación.
- Asegúrese de que el aparato se utilice lejos de materiales inflamables. Las distancias mínimas de seguridad son las siguientes: 1,2 m por encima del aparato, 600 mm por la parte trasera y los laterales. (Véase la figura 2)
- **Precisión:** Para utilizar el aparato se recomienda el uso de guantes protectores al poner y quitar la tapa, ya que el asa de la tapa puede estar caliente.
- **Precisión:** Las partes accesibles pueden estar muy calientes, por lo que es recomendable el uso de guantes protectores.
- Mantenga a los niños alejados del aparato.
- Utilizar solo en exteriores
- **NOTA:** Si el aparato se utiliza en condiciones de viento, hay que utilizar la tapa como paravientos y colocarla como se muestra en la figura 4.

Retroceso de la llama

- En caso de retorno de la llama (cuando la llama retrocede y se enciende dentro del quemador o el tubo Venturi), cierre inmediatamente el paso de gas, cerrando primero la válvula de control de la botella de gas y a continuación la válvula del aparato. Una vez apagada la llama, retire el regulador y compruebe el estado de la junta. Sustituya la junta en caso de duda. Vuelva a encender el aparato tal como se describe en la sección 6. Si la llama retrocede persistentemente lleve el producto a su agente de reparación autorizado de CADAC.

Fugas

- Si hay una fuga en el aparato (olor a gas), cierre inmediatamente el mando de control de la botella de gas. Si desea comprobar si tiene fugas el aparato, hágalo en el exterior. No intente detectar fugas con una llama; use agua jabonosa.
- La forma correcta es rociar las conexiones con agua jabonosa. Si se forman burbujas es que hay una fuga de gas. Cierre inmediatamente el paso de gas en primer lugar cerrando la válvula de control de la botella de gas y después la válvula del aparato. Compruebe que todas las conexiones estén correctamente instaladas. Vuelva a verificar con agua jabonosa. Si la fuga de gas continúa, lleve el producto a su distribuidor CADAC para su revisión o reparación.
- Compruebe si hay fugas en la boquilla junto a la válvula y en la unión del regulador de la botella con el gas abierto en la botella pero sin abrir o encender mediante el mando de control del aparato.



4. Combinaciones

Combinación Citi Chef 50 Barbacoa (código de producto: 20162-20)

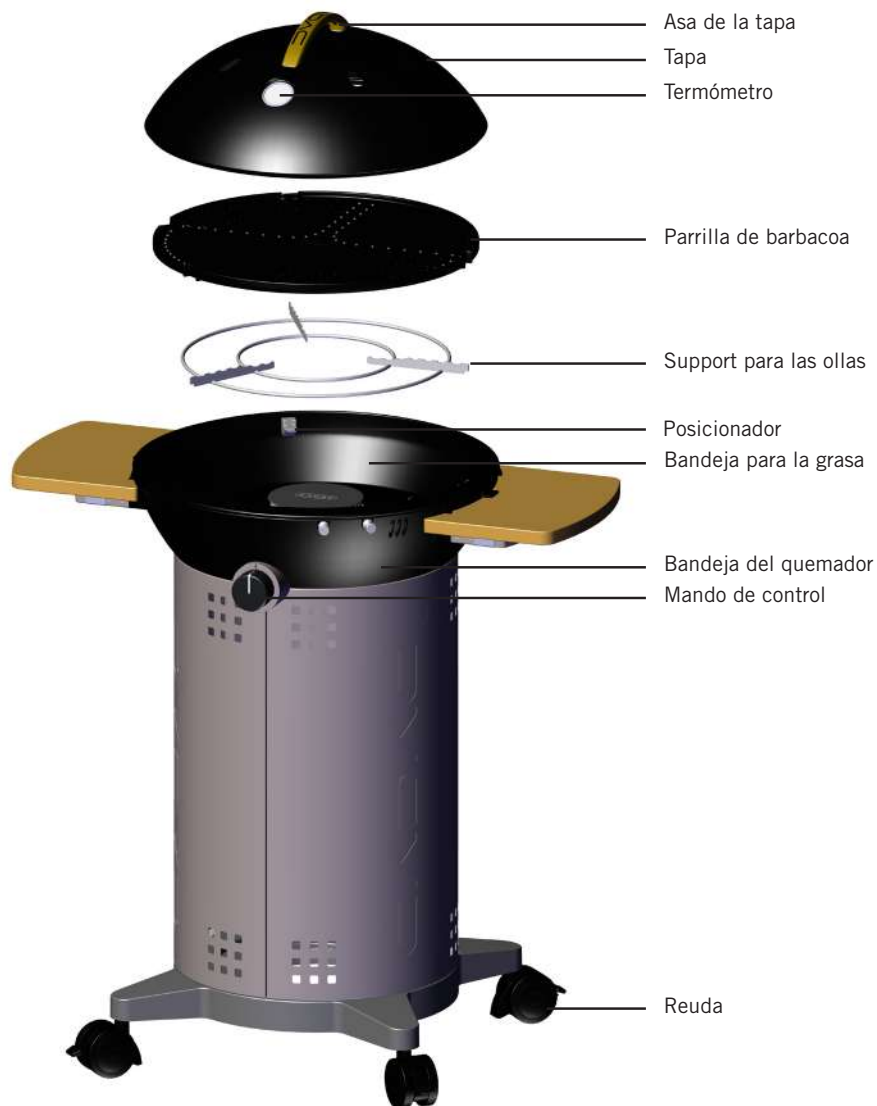


Fig. 6a

5. Instalación y cambio de la manguera y la botella de gas

- **NOTA:** Al instalar la boquilla, asegúrese de que se mantiene recta mientras se aprieta la tuerca de la boquilla, con el fin de evitar una posible fuga de gas. Apriete con una llave adecuada. (Figura 10)
- Categorías de aparato I 3B/P (30), I 3B/P (37) e I 3+ (28-30/37): Coloque la boquilla en la válvula, atornillándola en sentido contrario a las agujas del reloj. Empuje una manguera homologada en torno a la boquilla de la válvula hasta que quede bien asentada. En el otro extremo, conectar un regulador adecuado de baja presión (I3B / P (30): 30mbar butano / propano regulador de configuraciones; I3 + (28-30/37): regulador butano 30mbar o regulador de propano 37 mbar); I3B / P (37) : 37 mbar Butano / Propano reguladores configuraciones), de nuevo asegurándose de que la manguera quede bien asentada. El tipo de manguera debe cumplir con la norma EN y localizar requisito. En Sudáfrica, el regulador debe cumplir la norma SANS 1537.
- Categoría de aparato I 3B/P (50): Enrosque una manguera con las conexiones roscadas correctas en ambos extremos: en el lado izquierdo una rosca de ¼ de pulgada BSP de la válvula. Instale un regulador de baja presión adecuado de 50 mbar en el otro extremo de la manguera. El conjunto de mangueras deben cumplir con la norma DIN 4815 parte 2 o equivalente.
- La longitud de la manguera no debe ser inferior a 800 mm ni superior a 1,5 m. Compruebe la fecha de caducidad indicada en la manguera y cámbiela cuando sea necesario o la normativa nacional así lo requiera.
- No retuerza ni oprima la manguera. Asegúrese de que la manguera no esté en contacto con superficies que se calienten durante el uso.
- Antes de conectar el regulador a una botella de gas, asegúrese de que la junta de goma del regulador está en su lugar y en buenas condiciones. Esto se debe hacer en cada conexión y antes de cada uso.
- Antes de conectar la botella de gas, asegúrese de que las válvulas están en la posición de cerradas girando el mando de control hacia la derecha hasta el tope.
- Asegúrese de que la botella de gas se instala o sustituye en un lugar bien ventilado, preferiblemente situado en el exterior, alejado de cualquier fuente de ignición, por ejemplo llamas desprotegidas, estufas eléctricas y alejado de otras personas.
- Asegúrese de que la botella de gas está en posición vertical, atornille el regulador a la botella hasta que esté totalmente conectado. Apriete exclusivamente a mano.
- Si hay una fuga en el aparato (olor a gas), cierre inmediatamente la válvula de la botella y siga el procedimiento indicado en la sección 3 para detectar y detener una fuga. Si desea comprobar si hay fugas en el aparato, hágalo al aire libre exclusivamente aplicando agua jabonosa a las conexiones. Si se forman burbujas es indicación de una fuga de gas.
- Compruebe que todas las conexiones estén bien ajustadas y vuelva a revisar con agua jabonosa. Si no consigue eliminar la fuga de gas, no utilice el aparato. Póngase en contacto con su distribuidor local de CADAC para obtener asistencia.
- Para cambiar una botella de gas, cierre primero la válvula de la botella (en su caso) y luego gire el mando de control hacia la derecha hasta la posición de cierre.
- Asegúrese de que la llama se ha extinguido y desenrosque el regulador. Instale una botella llena siguiendo las mismas precauciones descritas.

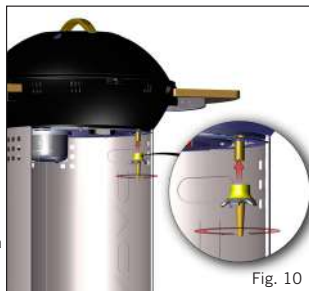


Fig. 10

6. Encendido del aparato

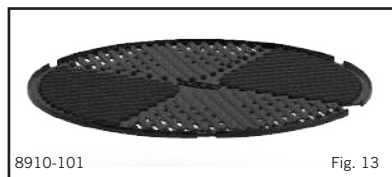
Precauciones a observar antes del encendido.

- Después de un almacenamiento prolongado, revise los orificios de ventilación de la tapa de la válvula por si hubiera insectos que pudieran afectar al flujo de gas. Revise la entrada del tubo Venturi por si hubiera insectos. Después de la comprobación, vuelva a colocar todos los componentes en la posición indicada.
- **Utilice el aparato sobre una superficie firme y nivelada.**
Uso del mando de control
El mando de control está equipado con dos posiciones positivas, una de baja potencia y otra de encendido / alta potencia. Esto limita el ajuste de la llama entre estos dos puntos.
Encendido mediante el encendedor piezoeléctrico
- Para encender el aparato con el encendedor piezoeléctrico, oprima y gire el mando de control hacia la izquierda hasta que oiga un clic. Si el gas no se inflama con la primera chispa, empuje y gire el mando de control totalmente hacia la derecha. Inténtelo de nuevo, empujando y girando el mando de control hacia la izquierda hasta que oiga un clic. Si el gas no se enciende en los primeros dos o tres segundos, se debe cerrar la válvula de control pulsando el mando de control y girarlo completamente hacia la derecha. Espere aproximadamente treinta segundos para que escape el gas acumulado en la bandeja del quemador. Repita el proceso anterior si es necesario hasta que la llama se encienda. La llama normalmente debe encenderse en uno o dos segundos.
Encendido usando un encendedor de barbacoa
- Cuando se comienza en frío, se puede encender el aparato desde la parte superior antes de colocar la superficie de cocinado deseada sobre la bandeja para la grasa. Sin embargo, al encender un aparato caliente, se recomienda hacerlo introduciendo un encendedor de barbacoa por uno de los orificios de ventilación debajo del quemador, hasta que esté en línea con el quemador (NO META el encendedor de barbacoa a través del orificio grande directamente debajo del quemador). Encienda el encendedor de barbacoa. Con el encendedor de barbacoa encendido, presione y gire el mando de control hacia la izquierda para encender el quemador.
General
- Una vez que el aparato está encendido, puede ajustarse la intensidad de la llama girando el mando de la válvula hacia la izquierda para reducir la llama, o hacia la derecha para aumentar la llama.

General

- Una vez que el aparato está encendido, puede ajustarse la intensidad de la llama girando el mando de la válvula hacia la izquierda para reducir la llama, o hacia la derecha para aumentar la llama.
- La posición completamente cerrada es girado totalmente hacia la derecha. Para girar la válvula desde la posición totalmente cerrada es necesario presionar primero el botón lo suficiente para liberar el mecanismo de bloqueo. Mientras mantiene el mando pulsado, gírelo hacia la izquierda. Una vez que el husillo está fuera de la posición de bloqueo ya no es necesario mantener pulsado el mando de control y se puede girar libremente a la intensidad de llama deseada.
- Se puede observar la llama a través del orificio de inspección previsto a tal fin en el lateral de la bandeja para la grasa.
- Al cocinar alimentos con un alto contenido de grasa, pueden producirse llamaradas si el ajuste de calor seleccionado es demasiado alto. Si esto sucede, baje el fuego hasta que cesen las llamaradas.
- No mueva el aparato cuando esté en uso ya que, además de ser una práctica peligrosa, pueden producirse llamaradas.
- Después del uso, cierre la válvula de la botella de gas (si la tiene). Una vez apagada la llama, cierre la válvula del aparato empujando y girando el mando de control totalmente hacia la derecha.

7. Uso del aparato y sus superficies de cocción



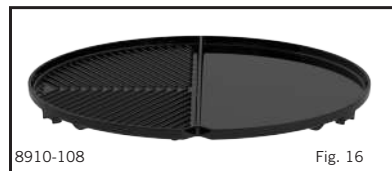
Parrilla de barbacoa (Abb. 13)

- La parrilla de barbacoa se coloca encima de los tres posicionadores de fundición de la bandeja para la grasa (Fig. 11).
- Disponible como accesorio y repuesto adicional
- Superficie de cocción con revestimiento antiadherente
- No use utensilios metálicos de cocina ya que esto dañaría su revestimiento antiadherente.
- Ideal para asar carne, pescado, pollo y verduras
- Se incluye una cómoda bolsa de transporte con esta superficie de cocción.
- **AVISO:** Se recomienda el uso de guantes para manipular la parrilla de barbacoa.4



Plancha Chef (Abb. 15)

- La plancha Chef se coloca encima de los tres posicionadores de fundición de la bandeja para la grasa (Fig. 11).
- Disponible como accesorio y repuesto adicional (no incluido)
- Superficie de cocción con revestimiento antiadherente.
- No use utensilios metálicos de cocina ya que esto dañaría su revestimiento antiadherente.
- **AVISO:** Durante el precalentamiento, no utilice la plancha Chef sobre llama alta con la tapa durante más de 15 minutos, ya que esto puede dañar el recubrimiento antiadherente y la plancha.
- **AVISO:** Se recomienda el uso de guantes para manipular la plancha Chef.



BBQ @ Plancha (Abb. 16)

- La barbacoa Plancha da la máxima versatilidad con barbacoa parrilla abierta en un lado y cacerola de la parrilla plana en el otro.
- Disponible como accesorio y repuesto adicional (no incluido)
- La parte superior recubierta de cerámica es fácil de usar y limpiar.
- Una bolsa de transporte conveniente se incluye.
- **AVISO:** Se recomienda el uso de guantes para manipular el BBQ Plancha.



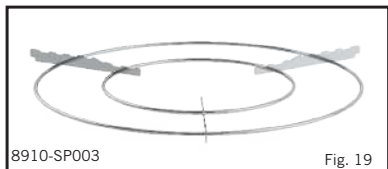
Parrilla de asado (Abb. 17)

- Disponible como accesorio y repuesto adicional (no incluido)
- Superficie de cocción con revestimiento de porcelana.
- Ideal para la preparación de pollo asado, cordero, verduras, etc.
- Superficie de cocción con revestimiento de porcelana.
- **AVISO:** Se recomienda el uso de guantes para manipular la parrilla de asado.



Piedra para Pizzas (Abb. 18)

- Disponible como accesorio y repuesto adicional (no incluido)
- Piedra de hornear de 10 mm de grosor que puede soportar temperaturas de hasta 500°C.
- Incluye soporte de alambre niquelado.
- **AVISO:** Se recomienda el uso de guantes para manipular la piedra para hornear.

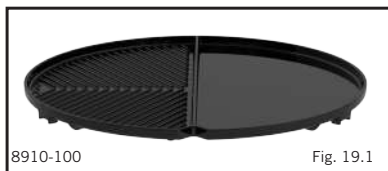


8910-SP003

Fig. 19

Soporte para las ollas (Abb. 19)

- Soporte para ollas niquelado, para apoyar las ollas de tamaño más común.
- Disponible como accesorio y repuesto adicional.
- **AVISO:** Se recomienda el uso de guantes para manipular el soporte para ollas.



8910-100

Fig. 19.1

Grill 2Braai (Abb. 19.1)

- Disponible como accesorio y repuesto adicional (no incluido)
- La Grill2Braai se coloca encima de los tres posicionadores de fundición de la bandeja para la grasa (Fig. 11).
- Superficie de cocinado con revestimiento antiadherente.
- No use utensilios metálicos de cocina ya que esto dañaría su revestimiento antiadherente.
- La parte plana es ideal para cocinar pescado, desayunos y tortitas, mientras que la mitad acanalada es ideal para asar carne, pescado, pollo y verduras.
- Se incluye una cómoda bolsa de transporte con esta superficie de cocinado.
- **AVISO:** Se recomienda el uso de guantes para manipular la Grill 2Braai.

- **IMPORTANTE:** Para garantizar la validez de la garantía, utilice únicamente las superficies de cocinado propias de la CADAC
- **NOTA:** Utilice siempre el paravientos si se utiliza el aparato en condiciones de viento.

8. Mantenimiento general

- A partir de la fecha de compra la responsabilidad del mantenimiento de este aparato recae exclusivamente sobre el consumidor. Este aparato no requiere mantenimiento programado.
Sustitución de un inyector obturado:
- Su Citi Chef está equipada con un inyector de tamaño específico para regular la cantidad correcta de gas.
- Si el orificio del inyector se obtura puede dar lugar a una llama pequeña o a que no haya llama en absoluto. No intente limpiar el inyector con un alfiler u otro dispositivo similar, ya que podría dañar el orificio y hacer que el aparato no fuese seguro.
- **Para reemplazar el inyector :** quite el panel trasero usando la maneta (Fig 20) Quite la tapa, la parrilla, el recipiente y otros accesorios. Ahora destornille los tres tornillos como se indica en la Fig. 21, esto liberará el quemador. Quiete el quemador tirando suavemente (Fig 22). Atención el quemador está conectado al piezo de autoencendido, no tire del quemador ya que hay riesgo de romper el cable, displace suavemente a un lado el quemador , esto le dará acceso al inyector (Fig. 23). El inyector ya puede ser retirado con la ayuda de una llave adecuada. No utilice alicates , esto podría dañar el inyector o imposibilitar su extracción. Rosque el nuevo inyector a la válvula . Evite apretar demasiado para no dañarlo.
- Invierta el procedimiento anterior para volver a montar la unidad.
Sustitución de la manguera:
- La instalación de una manguera se describe en la sección 5 - Instalación y cambio de la manguera y la botella de gas.



Fig. 20

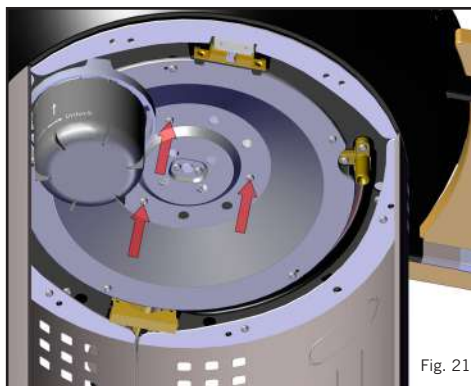


Fig. 21

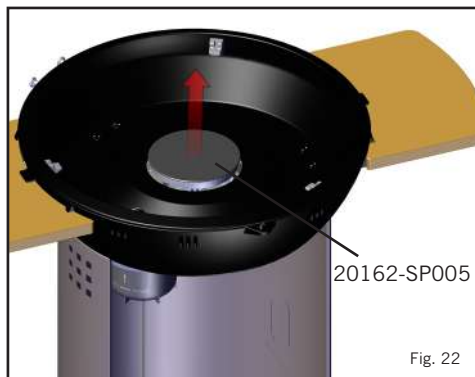


Fig. 22

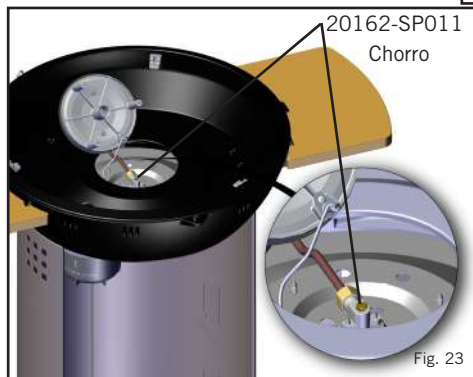


Fig. 23

9. Limpieza

- **Nota:** Para las referencias de las piezas véase la sección 7
- **Barbacoa:** Quite la grasa del fondo de la bandeja para la grasa y limpie como se ha descrito. Lave la parrilla y la placa agua tibia con detergente no abrasivo después de limpiar el exceso de grasa que queda después de cocinar.
- **Tapa de la barbacoa:** Lave la tapa de la barbacoa en agua tibia con detergente adecuado no abrasivo. No utilice objetos punzantes de metal o detergentes abrasivos, ya que dañarían el revestimiento de la superficie.
- **Nota:** Para las manchas difíciles, puede usarse un limpiador de hornos.
Cuidado de las superficies antiadherentes de cocinado:
- La superficies antiadherentes de cocinado llevan un revestimiento de PTFE antiadherente que se ha utilizado con gran éxito en algunos de los mejores utensilios de cocina en el mundo. No obstante, cuidándolo podrá disfrutar de más años de cocinado antiadherente saludable y fácil.
- Utilice únicamente los ajustes de calor bajo o medio para ayudar a retener los valiosos nutrientes en los alimentos y mantener la superficie antiadherente de cocinado.
- El revestimiento antiadherente puede dañarse fácilmente con el uso de utensilios de cocina metálicos.
- **NOTA: Se recomienda el uso únicamente de utensilios de plástico o de madera al cocinar.**
- No sobrecaliente las superficies antiadherentes de cocinado y añada siempre un poco de aceite a la superficie antes de usarla.
- **Deje siempre que las superficies antiadherentes se enfríen antes de sumergirlas en agua.**
- El revestimiento antiadherente puede lavarse perfectamente en el lavavajillas, pero la superficie antiadherente es tan fácil de limpiar que basta con un rápido lavado a mano. **No es recomendable el uso de detergentes abrasivos, ya que esto dañará permanentemente la superficie antiadherente.**
- Después de la limpieza reacondicione la superficie frotando ligeramente con un trapo con aceite vegetal.
- Después de cada uso, retire la grasa de la bandeja para la grasa y límpiela como se ha descrito anteriormente para la barbacoa.

10. Almacenamiento y transporte

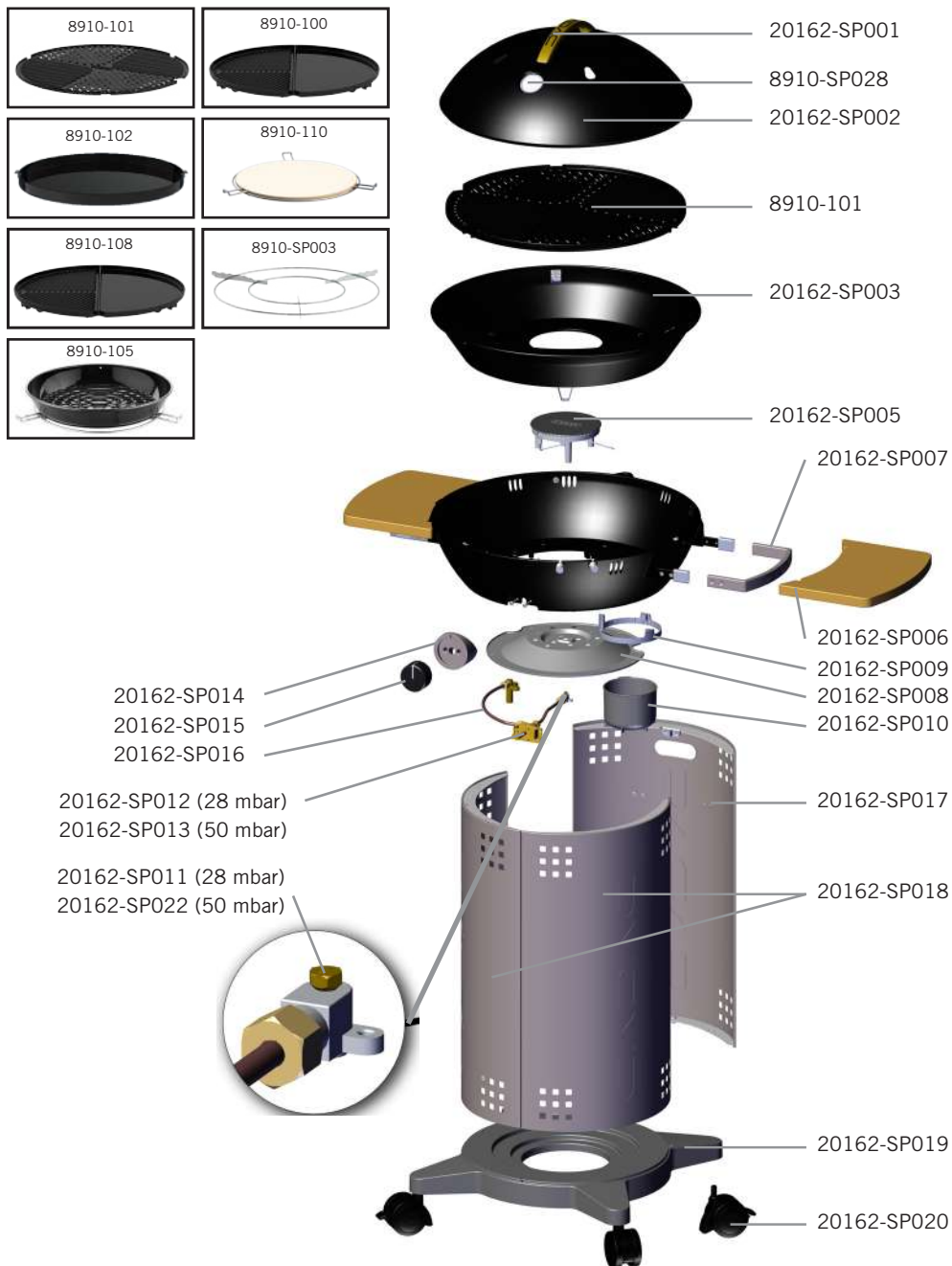
- La tapa de la barbacoa entra en la parte trasera de la bolsa con las correas de sujeción suministradas.
- En caso de que el aparato no funcione normalmente después del almacenamiento y de que una vez realizadas todas las comprobaciones de las secciones 5 y 8 no se haya identificado ningún problema, puede que el tubo Venturi esté obturado. Si el tubo Venturi estuviera obstruido, lo indicaría una llama amarillenta más débil o la falta de llama en casos extremos. En estas circunstancias será necesario retirar el quemador como se explica en la sección 8 – Mantenimiento general, y revisar y limpiar minuciosamente toda materia extraña que se haya adherido al tubo Venturi.

11. Envío del aparato para reparación o servicio

- No modifique el aparato, ya que podría ser peligroso.
- Si no puede rectificar un fallo siguiendo estas instrucciones, póngase en contacto con su distribuidor local de CADAC para que le indique cómo devolver el producto para su revisión.
- Su CADAC Citi Chef está garantizada por CADAC por un periodo de 5 años contra defectos de fábrica.

12. Repuestos y accesorios

- Utilice siempre recambios originales de CADAC ya que han sido diseñados para ofrecer un rendimiento óptimo.



OSTROŻNIE

Wyłącznie do użytku na zewnątrz!

Zabrania się korzystania z urządzenia na zamkniętych balkonach, gankach i w altanach!

WAŻNE

Przed podłączeniem do butli gazowej należy dokładnie przeczytać instrukcję celem zapoznania się z urządzeniem.

Zachować niniejszą instrukcję do wykorzystania w przyszłości.

1. Wprowadzenie

- To urządzenie jest przeznaczone do gotowania na świeżym powietrzu, szczególnie na patio
- Na tym urządzeniu można przygotowywać różne rodzaje potraw. Urban Chef 50 jest zaprojektowany w taki sposób aby przygotowywać potrawy na różnych powierzchniach gotowania
- Gaz dostarczany jest do urządzenia za pomocą węża i regulatora. Wąż i regulator mogą być podłączone do cylindra gazowego (cylinder gazowy nie jest dostarczany z urządzeniem)
- Uruchamianie i obsługa jednostki są łatwe (opis zawiera rozdział 6), a specjalny zawór umożliwia użytkownikowi sterowanie ilością wprowadzanego ciepła.

2. Informacje ogólne

- Urządzenie jest zgodne z normami EN 498:2012, EN484:1997 i SANS 1539:2012.
- Urządzenie może być wykorzystywane tylko w połączeniu z zatwierdzonym wężem i reduktorem (stanowiącymi elementy stałego wyposażenia w RPA)
- Ostrzeżenie:** Elementy urządzenia mogą nagrzewać się do wysokich temperatur. Urządzenie powinno znajdować się w miejscu niedostępnym dla dzieci.
- Stosować wyłącznie butle gazowe o wysokości maksymalnej 500 mm.
- Do prawidłowej pracy urządzeń gazowych oraz bezpieczeństwa użytkowników i innych osób znajdujących się w pobliżu urządzenia wymagana jest wentylacja, dlatego zabronione jest korzystanie z urządzenia na niewentylowanym obszarze. Urządzenie przeznaczone jest wyłącznie do użytku zewnętrznego.
- Przed rozpoczęciem używania urządzenia uważnie przeczytaj poniższą instrukcję.
- Wyłącznie do użytku na zewnątrz!**

Kraj, w którym urządzenie jest używane	BE, CH, CY, CZ, ES, FR, GB, GR, IE, IT, LT, LU, LV, PT, SK & SI	PL	BE, CY, DK, EE, FR, FI, HU, IT, LT, NL, NO, SE, SI, SK, RO, HR, TR, BG, IS, LU, MT, & ZA	AT, CH, DE & SK	
Kategorie urządzeń	I ₃ +(28-30/37)		I _{3B/P} (37)	I _{3B/P} (30)	I _{3B/P} (50)
Dopuszczalne gazy	Butan-G30	Propan-G31	Butanu-G30, propanu-G31 lub ich mieszaniny		
Ciśnienie robocze	28~30 mbar	37 mbar	37 mbar	28~30 mbar (RPA: 2,8 kPa)	50 mbar
Średnica dyszy palnika (mm)	0.95		0.91	0.95	0.85
Nominalne zużycie gazu	270 g/h				
Nominalne obciążenie ciepłe brutto	3.7 kW				
Gas Supply Sources Elementy doprowadzające gaz:	Zatwierdzone wąż i reduktor podłączone do butli gazowej do napełniania o masie maks. 9 kg, zgodnej z obowiązującymi w danym kraju przepisami.				

Informacje z zakresu bezpieczeństwa

AE = United Arab Emirates	AL = Albania	AT = Austria	BE = Belgium	CH = Switzerland
CZ = Czech Republic	DE = Germany	DK = Denmark	ES = Spain	FI = Finland
FR = France	GB = United Kingdom	GR = Greece	HR = Croatia	IT = Italy
JP = Japan	KR = Korea	NL = Netherlands	NO = Norway	PL = Poland
PT = Portugal	RO = Romania	RU = Russia	RS = Serbia	SI = Slovenia
SK = Slovakia	SE = Sweden	TR = Turkey	ZA = South Africa	

3. Informacje z zakresu bezpieczeństwa

Waż

- Urządzenie przeznaczone jest wyłącznie do wykorzystywania na zewnątrz.
- Wąż i reduktor dostarczane są z tym urządzeniem (tylko RPA)
- Wąż należy sprawdzać pod kątem zużycia lub uszkodzeń przed każdym użyciem oraz przed podłączeniem do butli gazowej.
- Nie używać urządzenia, jeżeli wąż jest uszkodzony lub zużyty. Wymienić wąż.
- Nie używać urządzenia, jeśli jest nieszczelne, uszkodzone lub nie działa prawidłowo.

Butla gazowa

- Korzystać wyłącznie z butli gazowych zatwierdzonych w danym kraju.
- Butlę z gazem należy zawsze podłączać/wymieniać w dobrze wentylowanych miejscach, najlepiej na zewnątrz, z dala od jakichkolwiek źródeł zapłonu takich jak otwarty płomień, płomień podtrzymujący, grzejnik elektryczny oraz z dala od innych osób.
- Butle gazowe przechowywać z dala od źródeł ciepła i płomieni. Nie umieszczać urządzenia na piecu ani żadnych innych gorących powierzchniach.
- Używane naboje gazowe/butle gazowe muszą być ustawione w pozycji pionowej. Pozwala to zapewnić właściwy sposób uwalniania paliwa. Brak stosowania się do tych wytycznych może powodować uwalnianie się gazu z butli i stworzenie zagrożenia.
- Nie podejmować prób odłączenia butli, kiedy urządzenie jest uruchomione.
- Po użyciu lub w trakcie przechowywania butla gazowa musi być odłączona od urządzenia.

Montaż i użytkowanie

- Używać wyłącznie na stabilnym, równym podłożu.
- Nie podejmować prób przenoszenia uruchomionego urządzenia.
- Nie korzystać z urządzenia w przypadku uszkodzenia osłony cieplnej, tacki na tłuszcz lub miski palnika prowadzącego do stykania się osłony cieplnej z tłuszczem podczas użytkowania. Produkt zwrócić dystrybutorowi Cadac w celu naprawy.
- Upewnić się, że w pobliżu urządzenia nie znajdują się żadne materiały łatwopalne. Minimalny bezpieczny odstęp: 1,2 m nad urządzeniem. 600 mm z tyłu i z boku. (zob. rys. 2)
- **Ostrożnie:** Podczas zdejmowania i zakładania pokrywy, ze względu na wysoką temperaturę jej uchwytu, zaleca się korzystanie z rękawic ochronnych.
- **Ostrożnie:** Elementy urządzenia mogą nagrzewać się do wysokich temperatur. Zalecane jest korzystanie z rękawic ochronnych.
- Nie dopuszczać dzieci w pobliżu urządzenia.
- **Wyłącznie do użytku na zewnątrz!**
- **UWAGA!** W przypadku korzystania z urządzenia w przypadku wiatru pokrywa musi pełnić funkcję osłony od wiatru i należy ją ustawić w sposób wskazany na rys. 4.

Plomień wsteczny

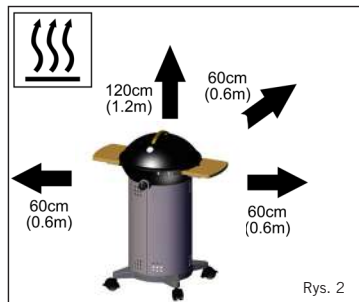
- W przypadku wystąpienia płomienia wstecznego (kiedy płomień cofa się, zapalając się wewnątrz palnika lub obudowy zwężek Venturiego), natychmiast odciąć dopływ gazu, zamykając najpierw zawór butli, a następnie zawór urządzenia. Po wygaszeniu płomienia zdemontować reduktor i sprawdzić stan uszczelki. W razie wątpliwości wymienić uszczelkę. Ponownie zapalić palnik w sposób opisany w części 6 poniżej. Jeśli zjawisko płomienia wstecznego powtarza się, zwrócić produkt do autoryzowanego punktu serwisowego CADAC.

Wycieki

- W przypadku wycieku (którego objawem jest zapach gazu) natychmiast zakręcić pokrętko na butli gazowej. Sprawdzenie urządzenia pod kątem wycieków musi odbywać się na zewnątrz. Nie podejmować prób wykrywania wycieków za pomocą płomienia; użyć wody z mydłem.
- Właściwą metodą kontroli wycieków jest posmarowanie złączy wodą z mydłem. Wytworzenie się bąbelki mydlanej oznacza wyciek gazu. Natychmiast odłączyć dopływ gazu, najpierw zamykając zawór regulacyjny na butli gazowej, a następnie zawór urządzenia. Sprawdzić prawidłowość wykonania połączeń. Skontrolować je jeszcze raz, używając wody z mydłem. Jeżeli wyciek gazu występuje nadal, zwrócić produkt dystrybutorowi CADAC celem przeprowadzenia jego inspekcji/naprawy.
- Sprawdzić, czy wycieki nie występują na końcówce zaworu oraz reduktorze butli, uruchamiając przepływ gazu na butli, ale nie na zaworze regulacyjnym urządzenia.



Rys. 1



Rys. 2



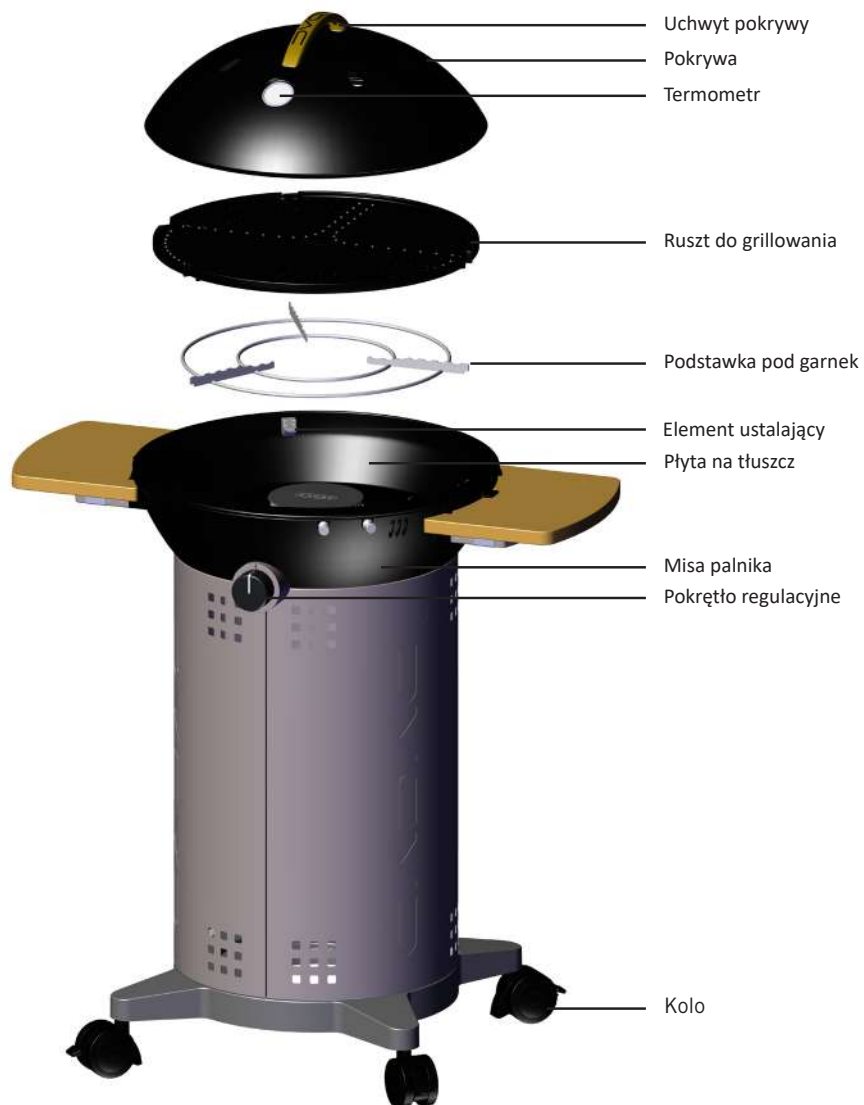
Rys. 3



Rys. 4

4. Modele Combo

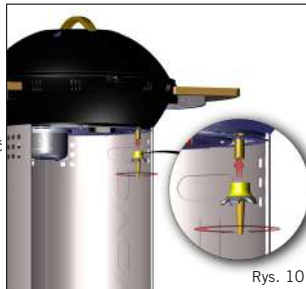
BBQ Combo Citi Chef 50 (Kod produktu: 20162-20)



Rys. 6a

5. Montaż i wymiana węża i butli z gazem

- **UWAGA!** Podczas dokręcania nakrętki końcówki należy trzymać ją prosto, aby zapobiec możliwemu wyciekowi gazu. Dokręcić za pomocą odpowiedniego klucza. (rys. 10)
- Kategorie urządzeń I 3B/P (30), I 3B/P (37) oraz I 3+ (28-30/37): Przykręcić końcówkę do zaworu, obracając ją w lewo. Odpowiedni wąż prawidłowo osadzić w końcówce zaworu. Na drugim końcu, założyć odpowiednią niską reduktor (I3B / P (30): 30mbar butan / propan regulator konfiguracji; I3 + (28-30/37): 30mbar regulator butan lub propan 37mbar regulator) I3B / P (37) : butan 37mbar / regulatory konfiguracji propan). Typ węża stosowane są zgodne z odpowiednią normą EN i zlokalizować wymóg. W RPA wykorzystywany wąż musi być zgodny z normą SANS 1537.
- Kategoria urządzenia I 3B/P (50): Przykręcić wąż, używając odpowiednich gwintowanych końcówek, do lewego gwintu BSP 1/2" zaworu. Z drugiej strony węża zamocować reduktor niskiego ciśnienia 50 mbar. Montaż używany Wąż musi być zgodna z normą DIN 4815 część 2 lub równoważną.
- Długość węża powinna wynosić od 800 mm do 1,5 m. Sprawdzić termin przydatności węża i wymienić go w razie potrzeby lub kiedy wymagane jest to przez krajowe przepisy.
- Uważać, aby nie zgiać ani nie ścisnąć węża. Upewnić się, że wąż nie styka się z powierzchniami, które podczas użytkowania mogą stać się gorące.
- Przed podłączeniem reduktora do butli z gazem należy upewnić się, że uszczelka reduktora znajduje się na swoim miejscu i jest w dobrym stanie. Czynność tę należy powtarzać podczas każdego podłączenia i przed każdym użyciem.
- Przed zamocowaniem butli gazowej upewnić się, że zawory zamknięte, obracając zawór regulacyjny w prawo aż do zatrzymania.
- Butli z gazem należy zawsze podłączać/wymienić w dobrze wentylowanych miejscach, najlepiej na zewnątrz, z dala od jakiegokolwiek źródła zapłonu, jak otwarty płomień lub grzejnik elektryczny, oraz z dala od innych osób.
- Po sprawdzeniu, że butla z gazem skierowana jest do góry, całkowicie dokręcić reduktor do butli. Dokręcać wyłącznie ręcznie.
- W przypadku wycieku (wyczuwalna woń gazu) natychmiast zakręcić zawór butli i wykonać czynności zmierzające do wykrycia i zatrzymania wycieku (rozdział 3). Do sprawdzenia szczelności urządzenia na złączach używać wody z mydłem. Czynności wykonane na zewnątrz. Wytworzenie się białek mydlanych wskazuje na wyciek gazu.
- Sprawdzić, czy wszystkie połączenia są prawidłowo wykonane, i przeprowadzić kontrolę za pomocą wody z mydłem. Jeśli wykrycie wycieku nie jest możliwe, zaprzestać użytkowania urządzenia. Skontaktować się z lokalnym dystrybutorem CADAC w celu uzyskania pomocy technicznej.
- Przed napełnieniem butli z gazem najpierw zakręcić zawór butli (jeśli jest zamocowany), a następnie obrócić zawór regulacyjny w prawo do pozycji zatrzymania.
- Upewnij się, że płomień został zgaszony, odkręcić reduktor. Zamocować pełną butlę, stosując się do środków ostrożności opisanych powyżej.



Rys. 10

6. Zapalanie urządzenia

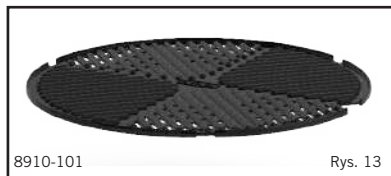
Środki ostrożności przez zapaleniem

- Po dłuższym okresie braku użytkowania sprawdzić stan otworów doprowadzających powietrze w pokrywie zaworów pod kątem obecności insektów, które mogą utrudnić przepływ gazu. Sprawdzić wlot z wężyki Venturiego pod kątem obecności insektów. Po przeprowadzeniu kontroli zamontować wszystkie elementy we właściwych pozycjach.
- **Urządzenie może być użytkowane wyłącznie na stabilnym, równym podłożu.**
Korzystanie z zaworu regulacyjnego
Istnieją dwa ustawienia zatrzymania zaworu regulacyjnego: niski płomień i zapłon/płomień wysoki. Ustawienia te stanowią ograniczenia regulacji płomienia.
Zapalanie za pomocą zapalnika piezoelektrycznego
W celu zapalenia urządzenia za pomocą zapalnika piezoelektrycznego należy wcisnąć i obrócić pokrętło regulacyjne w lewo aż do usłyszenia kliknięcia. Jeżeli pierwsza iskra nie powoduje zapłonu, należy wcisnąć i obrócić pokrętło regulacyjne całkowicie w prawo. Podjąć ponowną próbę, wciskając i obracając pokrętło regulacyjne w lewo aż do usłyszenia kliknięcia. W przypadku braku zapłonu przez pierwsze dwie lub trzy sekundy należy zakręcić zawór regulacyjny, wciskając pokrętło i obracając je całkowicie w prawo. Odczekać około trzy sekundy, aby umożliwić ujście gazu nagromadzonego w misie palnika. W razie konieczności powtórzyć powyższy proces aż do wystąpienia zapłonu. Zapłon powinien wystąpić w ciągu jednej lub dwóch początkowych sekund.
Zapalanie za pomocą zapalarki do grilla
Jeżeli urządzenie jest zimne, palnik można zapalić od góry przed umieszczeniem odpowiedniej powierzchni użytkowej na płycie na tłuszcz. Podczas zapalania gorącego urządzenia zaleca się jednak wprowadzenie zapalarki do grilla przez jeden z otworów wentylacyjnych pod palnikiem i ustawić go na poziomie palnika (NIE wkładać zapalarki do grilla przez duży otwór znajdujący się bezpośrednio pod palnikiem). Uruchomić zapalarkę do grilla. Po uruchomieniu zapalarki do grilla w celu zapalenia palnika wcisnąć i obrócić pokrętło w lewo.
Informacje ogólne
Po uruchomieniu urządzenia intensywność płomienia można regulować za pomocą pokrętła zaworu: w lewo, aby zmniejszyć płomień, lub w prawo, aby go zwiększyć.
Pozycja całkowitego zamknięcia znajduje się w skrajnej prawej pozycji. Aby obrócić zawór z pozycji całkowitego zamknięcia, należy najpierw nacisnąć pokrętło, tak aby możliwe było jego odblokowanie. Po wcisnięciu przekręcić pokrętło w lewo. Po odblokowaniu trzpienia wciskanie pokrętła nie jest już konieczne. Możliwe jest swobodne obracanie pokrętłem i ustawienie właściwej wielkości płomienia.
Do obserwacji płomienia służy otwór rewizyjny w bocznej części płyty na tłuszcz.
Zbyt wysoki płomień podczas przyrządzania potraw o dużej zawartości tłuszczu może spowodować wybuchy ognia. W takim przypadku należy zmniejszyć płomień aż do momentu ustania wybuchów.
Podczas użytkowania nie przenosić urządzenia. Oprócz zagrożenia czynność ta może także powodować wybuchy ognia.
Po zakończeniu użytkowania w pierwszej kolejności zamknąć zawór butli z gazem (tam, gdzie to konieczne). Po zgaśnięciu płomienia zamknąć zawór na urządzeniu, wciskając i całkowicie przekręcając pokrętło regulacyjne w prawo.

7. Korzystanie z urządzenia i powierzchni użytkowych



Rys. 11



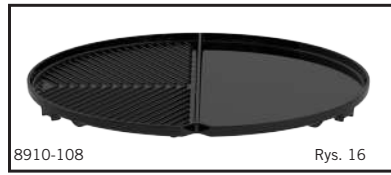
8910-101

Rys. 13



8910-102

Rys. 15



8910-108

Rys. 16



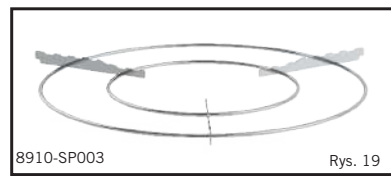
8910-105

Rys. 17



8910-110

Rys. 18



8910-SP003

Rys. 19

Ruszt do grillowania (Rys. 13)

- Ruszt do grillowania umieszczony jest na trzech odłącznych ciśnieniowo elementach ustalających na płycie na tłuszcz (rys. 11).
- Dostępny jako element dodatkowy i część zamienna
- Powierzchnia użytkowa pokryta nieprzywierającą warstwą
- Nie używać metalowych przyborów kuchennych, które mogą spowodować uszkodzenie warstwy nieprzywierającej.
- Idealny do grillowania mięsa, ryb, kurczaka i warzyw
- W zestawie wygodna torba do transportu.
- **OSTRZEŻENIE:** Podczas obsługiwanania rusztu do grillowania zaleca się stosowanie rękawic.

Płyta nieprzywierająca (Rys. 15)

- Płyta do grillowania umieszczona jest na trzech odłącznych ciśnieniowo elementach ustalających na płycie na tłuszcz (rys. 11).
- Dostępny jako element dodatkowy i część zamienna (nieodłączony do żadnego modelu)
- Powierzchnia użytkowa pokryta nieprzywierającą warstwą.
- Nie używać metalowych przyborów kuchennych, które mogą spowodować uszkodzenie warstwy nieprzywierającej.
- **OSTRZEŻENIE:** Podczas nagrzewania wstępnego płyty do grillowania nie stosować silnego płomienia i pokrywy przez dłużej niż 15 minut, może to bowiem spowodować uszkodzenie nieprzywierającej powłoki i płyty.
- **OSTRZEŻENIE:** Podczas obsługiwanania płyty do grillowania zaleca się stosowanie rękawic.

BBQ Plancha (Rys. 16)

- BBQ Plancha daje maksymalną wszechstronność z otwartym grill grill na jednej stronie i płaski grill pan na drugim.
- Dostępny jako element dodatkowy i część zamienna (nieodłączony do żadnego modelu)
- Ceramiczna powłokany top jest łatwy w obsłudze i czyste.
- Dogodnym torba jest wliczone.
- **UWAGA:** Zaleca się stosowanie rękawic przy pracy z BBQ Plancha.

Brytfanna do pieczenia (Rys. 17)

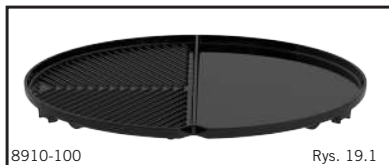
- Dostępny jako element dodatkowy i część zamienna (nieodłączony do żadnego modelu)
- Powierzchnia użytkowa pokryta warstwą porcelanowo-emaliowaną
- Idealna do przygotowywania pieczonego kurczaka, jagnięciny, warzyw itp.
- Powierzchnia użytkowa pokryta warstwą porcelanowo-emaliowaną
- **OSTRZEŻENIE:** Podczas obsługiwanania brytfanny do pieczenia zaleca się stosowanie rękawic

Kamień do przygotowywania pizzy (Rys. 18)

- Dostępny jako element dodatkowy i część zamienna (nieodłączony do żadnego modelu)
- Kamień do pieczenia o grubości 10 mm jest odporny na temperatury do 500°C
- Do płyty dołączony jest niklowany uchwyt.
- **OSTRZEŻENIE:** Podczas korzystania z kamienia do pieczenia zaleca się stosowanie rękawic.

Podstawa pod garnek (Rys. 19)

- Niklowana podstawa do większości standardowych garnków.
- Dostępny jako element dodatkowy i część zamienna.
- **OSTRZEŻENIE:** Podczas obsługiwanania podstawki pod garnek zaleca się stosowanie rękawic.



8910-100

Rys. 19.1

Ruszt Grill 2 Braai (Rys. 19.1)

- Dostępny jako element dodatkowy i część zamienna (nieodłączony do żadnego modelu)
- Ruszt Grill 2 Braai umieszczony jest na trzech oddzielnych ciśnieniowo elementach ustalających na płycie na tłuszcz (rys. 11).
- Powierzchnia użytkowa pokryta nieprzyswierającą warstwą.
- Nie używać metalowych przyborów kuchennych, które mogą spowodować uszkodzenie warstwy nieprzyswierającej.
- Gładka połowa idealnie nadaje się do przygotowywania ryb, potraw śniadaniowych i naleśników, a połowa żebrowana jest doskonała do grillowania mięsa, ryb, kurczaka i warzyw.
- W zestawie wygodna torba do transportu.
- **OSTRZEŻENIE:** Podczas obsługi rusztu Grill 2 Braai zaleca się stosowanie rękawic.

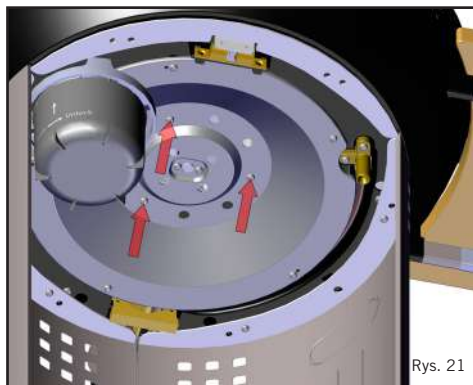
- **WAŻNE!** Aby zachować ważność gwarancji, należy stosować wyłącznie specjalne powierzchnie użytkowe CADAC.
- **UWAGA!** W przypadku wiatru zawsze korzystać z osłony od wiatru.

8. Konserwacja ogólna

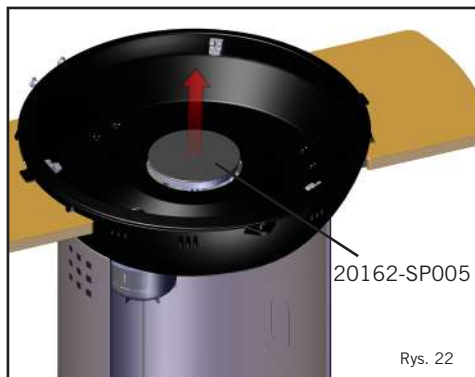
- Obowiązek konserwacji urządzenia od momentu zakupu spoczywa wyłącznie na kliencie. Urządzenie nie wymaga wykonywania regularnych czynności konserwacyjnych.
- Wymiana zablokowanej dyszy:
- Urządzenie Citi Chef wyposażone jest w odpowiednich rozmiarów dyszę służącą do regulacji ilości gazu.
- Zablokowanie otworu dyszy może być przyczyną zbyt małego płomienia lub jego braku. Nie należy czyścić dyszy za pomocą szpilki lub innego podobnego przedmiotu, ponieważ może to doprowadzić do uszkodzenia otworu, przez co użytkowanie urządzenia może stwarzać zagrożenie.
- **Aby wymienić dyszę:** Pociągnij tylny panel za pomocą uchwytu (Rys. 20) Zdejmij pokrywę, siatkę grillową, stojak do naczyń i inne luźne przedmioty z urządzenia. Odkręć 3 wkręty od spodu urządzenia, jak pokazano na rysunku 21, spowoduje to poluzowanie palnika. Następnie wyjmij palnik delikatnie, podnosząc go (rys. 22), UWAGA, palnik jest przymocowany do przewodu zapiętu piezoelektrycznego. NIE wyjmuj palnika w przeciwnym razie istnieje ryzyko urwania przewodu zapiętu piezoelektrycznego z urządzenia. Delikatnie odłóż palnik na bok co spowoduje odsłonięcie i dostęp dyszy (rys. 23). Dyszę można teraz zdemontować za pomocą odpowiedniego klucza. Nie używaj szczyptic do odkręcenia dyszy, gdyż może to spowodować uszkodzenie dyszy lub urządzenia w taki sposób, że nie będzie możliwe usunięcie dyszy. Wkręć nową dyszę z zaworu. Nie dokręcaj zbyt mocno, gdyż może to spowodować uszkodzenie dyszy.
- W celu ponownego zmontowania urządzenia powtórz powyższe czynności w odwrotnej kolejności.
- Wymiana węża:
- Opis montażu węża zawiera rozdział 5 – Montaż i wymiana węża i butli z gazem.



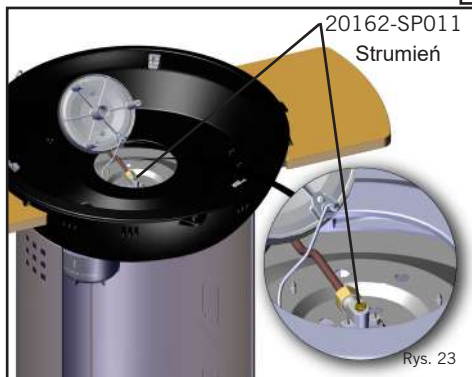
Rys. 20



Rys. 21



Rys. 22



Rys. 23

9. Czyszczenie

- Uwaga: Nazwy elementów podano w rozdziale 7.
- Płyta do grillowania: Usunąć tłuszcz z rynienki na dnie płyty i przeprowadzić czyszczenie ten sam sposób co w przypadku płyty do grillowania typu. Po wytarciu tłuszczu pozostałego po gotowaniu umyć ruszt i płytę w ciepłej wodzie, używając detergentu nieposiadającego właściwości ściernych.
- Pokrywa: Umyć pokrywę w ciepłej wodzie, używając odpowiedniego detergentu nieposiadającego właściwości ściernych. Nie używać ostrych przedmiotów metalowych ani detergentów o właściwościach ściernych, może to bowiem spowodować uszkodzenie powierzchni.
- Uwaga: W przypadku uporczywych plam konieczne może być użycie środka do czyszczenia piekarników. Pielęgnacja nieprzywierających powierzchni użytkowych:
- Nieprzywierające powierzchnie użytkowe pokryte są warstwą Non-Stick, który sprawdza się w przypadku najlepszych naczyń do gotowania na świetle. Zachowanie zasad pielęgnacji może przyczynić się do przedłużenia okresu bezproblemowego gotowania zdrowych potraw na nieprzywierających powierzchniach.
- W celu zachowania właściwości odżywczych potraw i utrzymania nieprzywierających właściwości powierzchni użytkowej zaleca się korzystanie z płomienia niskiego lub średniego.
- Metalowe przybory kuchenne mogą spowodować uszkodzenie nieprzywierającej powłoki.
- UWAGA! Podczas gotowania zaleca się wykorzystywanie wyłącznie przyborów z tworzywa sztucznego lub drewnianych.
- Nie przegrzewać nieprzywierających powierzchni użytkowych. Zawsze przed użyciem pokrywać je niewielką ilością oleju.
- Przed zanurzeniem w wodzie odczekać, aż nieprzywierające powierzchnie ostygną.
- Mycie powierzchni nieprzywierającej w zmywarce jest całkowicie bezpieczne, jednak łatwość jej czyszczenia sprawia, że wystarcza szybkie mycie ręczne. Nie zaleca się korzystania z detergentów posiadających właściwości ściernie, może to bowiem uszkodzić nieprzywierającą powierzchnię.
- Po wyczyszczeniu odświeżyć powierzchnię, używając niewielkiej ilości oleju roślinnego.
- Po każdym użyciu usunąć tłuszcz z płyty na tłuszcz i wyczyścić ją w sposób właściwy dla płyty do grillowania.

10. Przechowywanie i transport

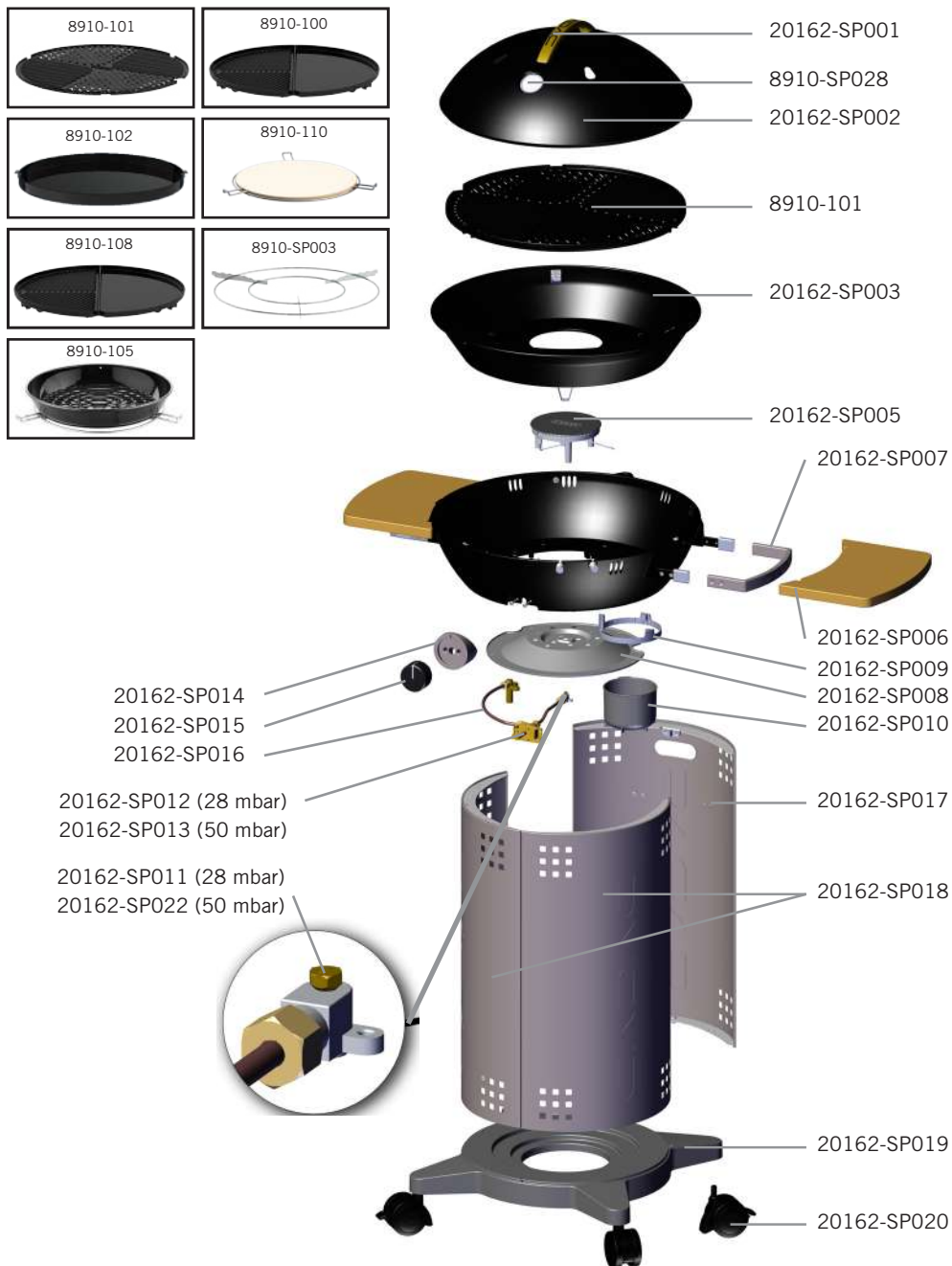
- Pokrywę można przymocować do tylnej części torby za pomocą specjalnych pasów.
- Nieprawidłowe działanie urządzenia po przechowywaniu i wykonaniu czynności kontrolnych podanych w rozdziałach 5 i 8 może oznaczać zablokowanie zwężki Venturiego. Skutkiem zablokowania zwężki Venturiego może być słabszy żółtawy płomień lub, w przypadkach skrajnych, jego całkowity brak. W takim przypadku konieczne jest zdemontowanie palnika w sposób opisany w rozdziale 8 – Konserwacja ogólna oraz gruntowne sprawdzenie i usunięcie obcych ciał, które mogły zgromadzić się w zwężce Venturiego.

11. Zwrot urządzenia w celu naprawy lub wykonania czynności serwisowych

- Do not modify the appliance, as this could be dangerous.
- If you cannot rectify a fault by following these instructions, contact your local CADAC distributor for details on how to return the product for attention.
- Your CADAC Citi Chef is guaranteed by CADAC for a period of 5 years against factory fault.

12. Części zamienne i akcesoria

- Zawsze stosować oryginalne części zamienne CADAC, ponieważ zostały one zaprojektowane tak, by zagwarantować optymalną sprawność.



VARNING

Endast för utomhusbruk. Denna apparat får inte användas i omslutna utrymmen, som inglasad balkong, veranda eller rum för nöje och underhållning.



VIKTIGT

Läs dessa anvisningar noggrant för att bekanta dig med apparaten innan du ansluter den till dess gasbehållare. Spara dessa anvisningar för framtida bruk.

1. Introduktion

- Grillen är avsedd för användning utomhus på en terrass.
- Olika typer av mat kan tillagas på grillen. Citi Chef 50 är konstruerad så att olika grilltyper kan användas.
- Gasen tillförs via en slang och regulator. Slangen och regulatorn kan anslutas till en gasflaska (medföljer inte).
- Apparaten är lätt att slå på och använda (se beskrivning nedan i avsnitt 6) och värmeeffekten kan regleras med en justerbar ventil.

2. Allmän information

- Denna apparat uppfyller EN498:2012, EN484:1997 och SANS 1539:2012
- Apparaten får endast användas med en godkänd slang och reglage (slang och reglage medföljer enhet i SA)
- **Varning:** Åtkomliga delar kan bli mycket varma. Håll små barn borta.
- Får endast användas med gasbehållare som har en höjd på högst 500 mm.
- Gasanordningar kräver ventilation för optimal användning och för att garantera säkerheten för användaren och andra personer i närheten. Använd således inte apparaten i ett oventilerat område. Det är avsett endast för användning utomhus.
- Läs instruktionerna noga innan du använder apparaten.
- **Använd endast utomhus!**

Användningsland	BE, CH, CY, CZ, ES, FR, GB, GR, IE, IT, LT, LU, LV, PT, SK & SI	PL	BE, CY, DK, EE, FR, FI, HU, IT, LT, NL, NO, SE, SI, SK, RO, HR, TR, BG, IS, LU, MT, & ZA	AT, CH, DE & SK	
Apparatkategorier	I ₃ +(28-30/37)		I _{3B/P} (37)	I _{3B/P} (30)	I _{3B/P} (50)
Tillåtna gaser	Butane-G30	Propane-G31	Butan-G30, propan-G31 jämte blandningar		
Driftstryck	28–30 mbar	37 mbar	37 mbar	28–30 mbar (Sydafrika 2.8 kPa)	50 mbar
Munstyckennummer (mm)	0.95		0.91	0.95	0.85
Nominellt bruk:	270 g/h				
Nominell värmeeffekt, brutto	3.7 kW				
Gaskällor	Slang och reglage av godkänd typ, kopplade till en påfyllbar gasbehållare på högst 9 kg som uppfyller lokalt gällande bestämmelser.				

Landets namn och förkortningar

AE = United Arab Emirates	AL = Albania	AT = Austria	BE = Belgium	CH = Switzerland
CZ = Czech Republic	DE = Germany	DK = Denmark	ES = Spain	FI = Finland
FR = France	GB = United Kingdom	GR = Greece	HR = Croatia	IT = Italy
JP = Japan	KR = Korea	NL = Netherlands	NO = Norway	PL = Poland
PT = Portugal	RO = Romania	RU = Russia	RS = Serbia	SI = Slovenia
SK = Slovakia	SE = Sweden	TR = Turkey	ZA = South Africa	

3. Säkerhetsinformation

Slang

- **Denna apparat får endast användas utomhus.**
- En slang och ett reglage medföljer denna apparat (endast SA)
- Slangen måste kontrolleras för förlitning och skada varje gång innan den används och innan den ansluts till gasbehållaren.
- Använd aldrig apparaten med en skadad eller utsliten slang. Byt i så fall ut slangen.
- Använd inte apparaten om den läcker, är skadad eller inte fungerar ordentligt.

Gasbehållare

- Använd endast gasbehållare som är godkänd av ditt lands bestämmelser.
- Se till att gastuben placeras eller byts ut på en väl ventilerad plats, helst utomhus, undan från alla antändningskällor, såsom öppna lågor, tändlågor (på gasspis etc.), elbrand och från andra personer.
- Håll gasbehållare undan från lågor och värmekällor. Placera dem inte på en spis/ugn eller någon annan het yta.
- Gaspatroner / påfyllbara tuber får endast användas i upprätt läge så att bränslet matas ut på rätt sätt. Annars kan flytande gas släppas ut ur behållaren och orsaka en farlig brukssituation.
- Försök inte ta bort gastuben medan apparaten är i bruk.
- Koppla lös gastuben från apparaten efter användning och innan den ställs undan.

Montering och användning

- Använd endast på en stadig och jämn yta.
- Flytta inte på apparaten under tiden den är i gång.
- Använd inte apparaten om värmeskölden, fettpannan eller brännarepannan skadas på ett sätt så att värmeskölden och fettpannan hamnar i bestående kontakt under användningen. Lämna den till en Cadac-återförsäljare för reparation.
- Se till att apparaten inte används i närheten av antändligt material. Håll minst dessa avstånd: 1,2 m ovanför anordningen. 600 mm bak till och på sidorna. (Se Fig. 2)
- **Varning:** Vi rekommenderar att använda skyddshandskar när du använder apparaten och tar bort och sätter på höljet, eftersom höljets handtag kan bli varmt.
- **Varning:** Åtkomliga delar kan bli mycket varma – användning av handskar rekommenderas.
- Håll små barn borta från apparaten.
- **Använd apparaten endast utomhus**
- **OBS!** Om apparaten används under blåsiga förhållanden måste locket användas som ett vindskydd och placeras i positionen som visas i Fig. 4.

Baktändning

- Stäng omedelbart av gastillförseln vid baktändning (dvs. lågan går tillbaka och antänder inuti brännaren eller venturilådan) genom att först stänga reglerventilen på gasbehållaren och sedan ventilen på apparaten. Avlägsna reglaget när lågan har slocknat och kontrollera packningens tillstånd. Byt ut packningen om du är osäker. Tänd apparaten på nytt enligt beskrivningen i avsnitt 6 nedan. Om lågan fortsätter att baktända bör du lämna in produkten hos ett erkänt CADAC serviceombud. Läckage
- Stäng omedelbart kontrollknappen på gasbehållaren, om en läcka har uppstått på apparaten (gaslukt). Arbeta alltid utomhus om du försöker hitta en läcka hos apparaten. Använd aldrig en låga för att lokalisera läckan – använd vatten med såpa.
- Det korrekta sättet är att smörja fogarna med såpvatten. Om bubblor bildas, finns ett gasläckage. Stäng omgående av gastillförseln genom att först stänga av reglerventilen på gasbehållaren och därefter ventilierna på apparaten. Kontrollera att alla anslutningar är ordentligt monterade. Kontrollera på nytt med såpvatten. Om det fortsätter att läcka gas, skall apparaten lämnas in hos en CADAC-återförsäljare för kontroll/reparation.
- Kontrollera om det finns läckor på slutstycket vid ventilen och på behållarens reglage, med gasen öppen på behållaren men utan att apparatens kontrollknapp står på eller är öppnad.



Fig. 1

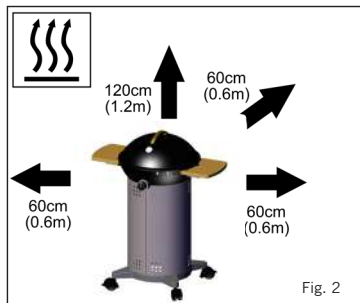


Fig. 2



Fig. 3



Fig. 4

4. Combo

Citi Chef 50 BBQ Combo (produktkod: 20162-20)

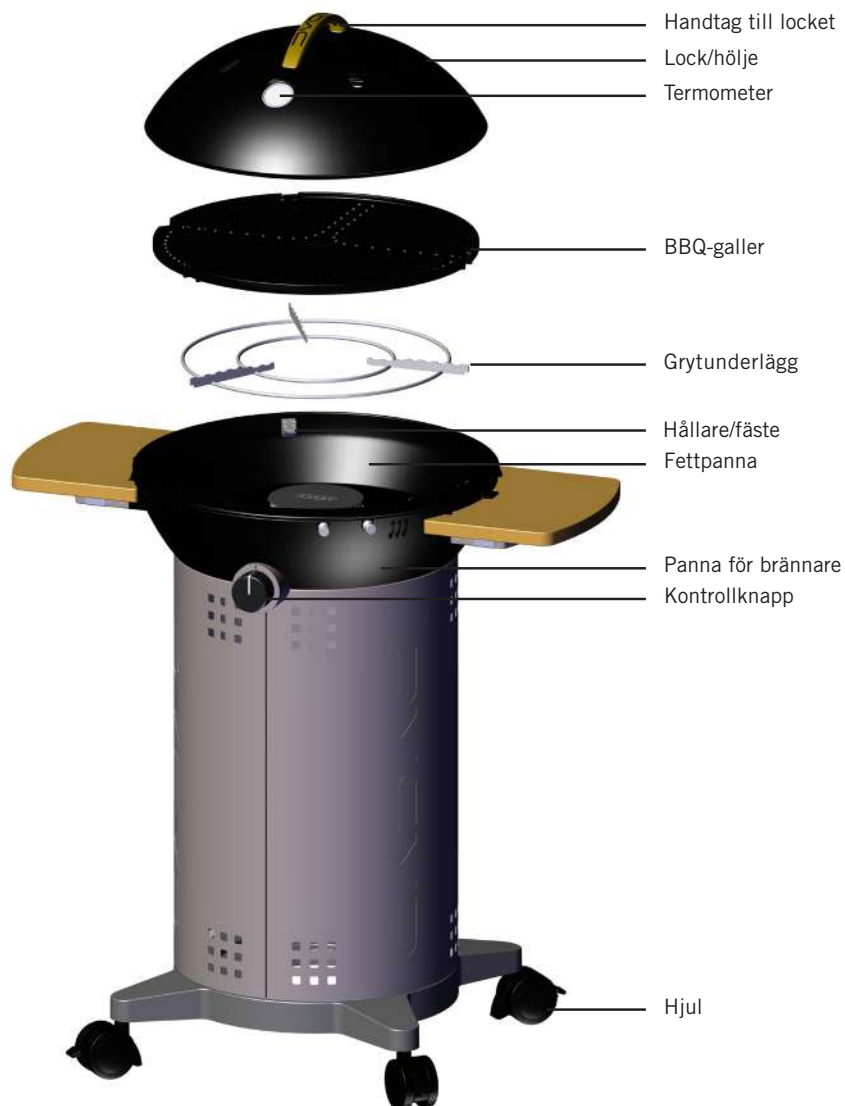


Fig. 6a

5. Montering och byte av slang och gasbehållare

- **OBS!** Se till att slutstycket hålls rakt när du installerar och skruvar fast det så att risken för gasläckor förhindras. Skruva fast med en lämplig skruvnyckel. (Fig. 10)
- I 3B/P (30), I 3B/P (37) och I 3+ (28-30/37) Apparatkategorier: Passa in ventilslutstycket till ventilen genom att skruva på det i moturs riktning. För in en godkänd slang i ventilslutstycket tills det sitter ordentligt. På den andra änden, sätt på lämplig låg tryckregulator (I3B / P (30): 30mbar butan / propan konfigurationer regulator, I3 + (28-30/37): 30mbar Butan regulator eller 37mbar Propan tillsynsmyndigheten), I3B / P (37) : 37mbar Butan / konfigurationer Propane tillsynsmyndigheter). Den typ av slang som används skall överensstämma med relevanta EN-standard och leta krav. I Sydafrika skall vald slang överensstämma med SANS 1537.
- I 3B/P (50) Apparatkategori: Skruva fast en slang med korrekt gängade delar i varje ände, på vänstra BSP-ventilens gängor (kvartstum storlek). Koppla ett lämpligt reglage med ett tryck på 50 mbar till den andra änden av slangen. Den slangpaket som används måste uppfylla DIN 4815 del 2 eller motsvarande.
- Slanglängden bör inte vara mindre än 800 mm och får högst vara 1,5 m. Kontrollera utgångsdatum på slangen och byt ut vid behov eller om nationella bestämmelser kräver det.
- Slangen får inte vridas eller vikas. Se till att slangen inte kommer i kontakt med ytor som blir varma under användning.
- Kontrollera att reglagent packning är på plats och i gott skick innan du monterar reglaget på gasbehållaren. Detta bör göras med alla anslutningar och före varje användning.
- Kontrollera att alla ventiler är i "OFF"-läge genom att vrida kontrollknappen medsols till den stannar, innan gasbehållaren monteras.
- Se till att gastuben placeras eller byts ut på en väl ventilerad plats, helst utomhus, undan från alla antändningskällor, såsom öppna lågor, elbrand och från andra personer.
- Se till att hålla gasbehållaren upprätt medan du skruvar fast reglaget på behållaren. Drag endast åt för hand.
- Stäng omedelbart ventilen på behållaren om en läcka har uppstått på apparaten (gaslukt), och vrida åtgärderna i avsnitt 3 för att identifiera och stoppa en läcka. Om du vill se om det finns läckor på apparaten, gör det utomhus med såpvatten som hålls på fogarna. Om bubblor uppstår visar det att det läcker gas.
- Kontrollera att samtliga anslutningar är säkert inmonterade och kontrollera igen med såpvatten. Om du inte kan rätta till gasläckan, använd inte apparaten. Tag kontakt med den lokala CADAC-återförsäljaren för hjälp.
- Vid byte av gasbehållare ska man först stänga ventilen på behållaren (om monterad) och sedan vrida kontrollknappen medsols tills den stannar.

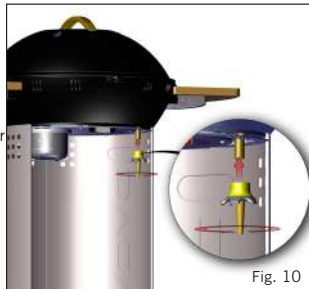


Fig. 10

6. Att tända apparaten

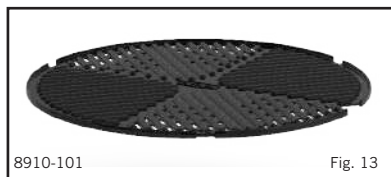
Försiktighetsåtgärder för att vidta innan man tänder.

- Efter långvarig förvaring bör man undersöka lufthålen i ventillocket för att se om det finns insekter, vilka kan påverka gasflödet. Inspektera venturirörets öppning för insekter. Sätt in alla komponenterna på nytt efter kontrollen, på de föreskrivna platserna.
- **Använd apparaten endast på en stadig och jämn yta.**
Att använda kontrollknappen
Kontrollknappen är försedd med två positiva stoppositioner, en vid låg och en vid Tända/Hög. Detta avgränsar lågans justering mellan dessa två punkter.
Att tända med Piezo-tändare
- För att tända apparaten med piezo-tändaren, tryck in och vrid kontrollknappen moturs tills ett klick hörs. Om gasen inte antänds på med den första gnistan – tryck in och vrid kontrollknappen helt medurs. Försök igen genom att tryck in och vrida kontrollknappen medsols tills du hör ett klick. Om gasen inte har antänts efter 2-3 sekunder bör du stänga reglageventilen genom att trycka in kontrollknappen och vrida det helt medurs. Vänta cirka trettio sekunder så att gas som samlats i brännarepannan kan komma ut. Upprepa ovanstående procedur vid behov, tills lågan antänder. Flamman visar sig normalt inom 1-2 sekunder.
Att tända med en BBQ-tändare
- Om apparaten är kall kan den tändas uppifrån innan den önskade matlagningssytan sätts på fettpannan. När man tänder en varm apparat är det dock bäst att man gör detta genom att sticka in en barbecue-tändare genom ett av ventilationshålen under brännaren, tills den är i linje med brännaren (Placera INTE BBQ-tändaren genom det stora hålet direkt under brännaren). Tänd BBQ-tändaren. Med BBQ-tändaren tänd, tryck in och vrid kontrollknappen medsols för att tända brännaren.
Allmänt
- Efter att apparaten har tänts kan man justera lågans styrka genom att vrida ventilknappen medsols för att minska lågan, och medsols för att öka den.
- Helt stängt läge är vid medurs yttersta position. För att rotera ventilen från helt stängt läge måste man först tryck ned knappen tillräckligt för att komma ut ur låsmekanismen. Håll in knappen och vrid den i moturs riktning. När axeltappen har kommit ut ur låsställningen behöver man inte längre hålla kontrollknappen nedtryckt och den kan vridas fritt för att ställa in önskad låga.
- Lågan kan iaktas genom ett ritthål som finns på sidan av fettpannan.
- När man lagar mat som är rikt på fett kan det uppstå flammor om inställningen för värmen är för hög. Om detta händer vrid ut den värmen tills flammorna upphör.
- Flytta inte apparaten när den används eftersom, förutom att det är ett riskfyllt användningssätt, det kan uppstå flammor om apparaten flyttas när den är tänd.
- Efter användning, stäng först ventilen på gasbehållaren (om tillämpligt). Stäng ventilen på apparaten genom att trycka in och vrida kontrollknappen helt medurs, efter att flaman har slocknat.

7. Att använda apparaten och dess tillagningsytor



Fig. 11



8910-101

Fig. 13

BBQ-galler (Fig. 13)

- BBQ-gallret placeras på tre formgjutna fästen i fettpannan (Fig. 11).
- Finns som extra tillbehör och reservdel
- Non-Stickbehandlad matlagningssyta
- Använd inte köksredskap av metall eftersom det skadar den Non-Stickbehandlade ytan.
- Perfekt för att grilla kött, fisk, kyckling och grönsaker
- En praktisk bärkasse medföljer denna matlagningssyta.
- **VARNING:** Vi rekommenderar att man använder handskar när man hanterar BBQ-gallret.



8910-102

Fig. 15

Panna (Fig. 15)

- Denna panna placeras på tre formgjutna fästen i fettpannan (Fig. 11).
- Finns som extra tillbehör och reservdel (Ingår ej)
- Non-Stickbehandlad matlagningssyta
- Använd inte köksredskap av metall eftersom det skadar den Non-Stickbehandlade ytan.
- **VARNING:** Använd inte pannan på hög värme med locket på under förvärmningen i mer än 15 minuter, eftersom det kan skada den Non-Stickbehandlade ytan och pannan.
- **VARNING:** Vi rekommenderar att man använder handskar när man hanterar denna panna.



8910-108

Fig. 16

BBQ Plancha (Fig. 16)

- BBQ Plancha ger maximal flexibilitet med öppen grill BBQ på ena sidan och platt grillpanna på andra.
- Finns som extra tillbehör och reservdel (Ingår ej)
- Det keramiska belagda topp är lätt att använda och rengöra.
- En praktisk väska ingår.
- **VARNING:** Vi rekommenderar användning av handskar vid hantering av BBQ Plancha.



8910-105

Fig. 17

Långpanna (Fig. 17)

- Finns som extra tillbehör och reservdel (Ingår ej)
- Porslins- och emaljbelagd matlagningssyta
- Perfekt för att grilla kyckling, lamm, grönsaker, mm.
- Porslins- och emaljbelagd matlagningssyta
- **VARNING:** Vi rekommenderar att man använder handskar när man hanterar långpannan.

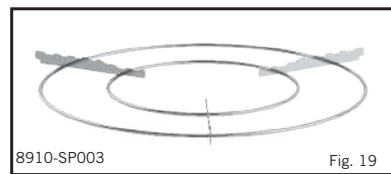


8910-110

Fig. 18

Pizza-sten (Fig. 18)

- Finns som extra tillbehör och reservdel (Ingår ej)
- 10 mm tjock baksten som tål temperaturer på upp till 500°C
- Förticklad trådållare ingår.
- **VARNING:** Vi rekommenderar att man använder handskar när man hanterar bakstenen.



8910-SP003

Fig. 19

Grytunderlägg (Fig. 19)

- Förticklad grytunderlägg, för att stödja de flesta standardstorlek krukor.
- Finns som extra tillbehör och reservdel.
- **VARNING:** Vi rekommenderar användning av handskar vid hantering av grytunderlägg.



8910-100

Fig. 19.1

Grill@Braai (Fig. 19.1)

- Finns som extra tillbehör och reservdel (Ingår ej)
- Grill2Braai placeras på tre formgjutna fästen i fettpannan (Fig. 11).
- Non-Stickbehandlad matlagingsyta
- Använd inte köksredskap av metall eftersom det skadar den Non-Stickbehandlade ytan.
- Den platta delen är perfekt för att laga fisk, frukost och pannkakor, medan den räfflade delen är perfekt för att grilla kött, fisk, kyckling och grönsaker.
- En praktisk bärkasse medföljer denna matlagingsyta.
- **VARNING:** Vi rekommenderar att man använder handskar när man hanterar Grill@Braai.

- **VIKTIGT!** Använd endast matlagingsytor som är avsedda för CADAC, om du vill vara säker på garantins giltighet.
- **OBS!** Använd alltid vindskyddet om du använder apparaten under blåsiga förhållanden.

8. Allmänt underhåll

- Från inköpsdatum vilar ansvaret för apparatens underhåll uteslutande på konsumenten. Apparaten kräver inget regelbundet underhåll.
- [Byte av ett blockerat munstycke](#)
- Citi Chef har försetts med en särskild storlek på munstycket så att rätt gasmängd kan ställas in.
- Om hålet i munstycket blockeras, kan detta leda till en liten låga eller ingen låga alls. Försök inte att rengöra munstycket med en pinne eller liknande föremål då detta kan skada öppningen, vilket kan göra apparaten opålitlig.
- **Byte av munstycket:** Dra ut den bakre panelen med hjälp av handtaget (fig. 20). Ta av locket, grillgallret, grythållaren och andra lösa delar från grillen. Skruva ur de 3 skruvarna på grillens undersida enligt fig. 21, så att brännaren frigörs. Lyft försiktigt ut brännaren (fig. 22). Observera att brännaren är ansluten till ledningen för piezotändningen. Dra INTE ur brännaren med kraft, eftersom du riskerar att ledningen för piezotändningen går av. Lägg försiktigt brännaren så att munstycket syns (fig. 23). Du kan nu ta av munstycket med en lämplig skruvnyckel. Använd inte en tång, eftersom den kan skada munstycket så att det blir oanvändbart eller omöjligt att ta av. Skruva in det nya munstycket i ventilen. Dra inte åt munstycket för mycket, eftersom det kan skadas.
- Montera det hela genom att utföra ovanstående procedur i omvänd ordning.
- [Byte ut slangen.](#)
- Montering av en slang beskrivs i avsnitt 5 – Montering och byte av slang och gasbehållare.



Fig. 20

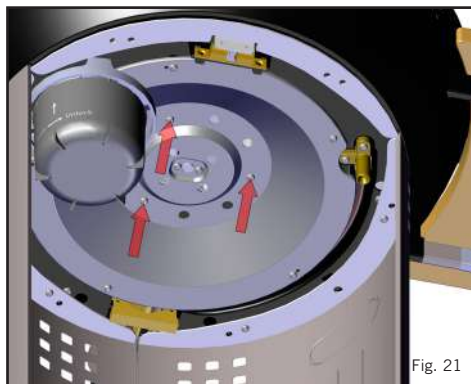


Fig. 21

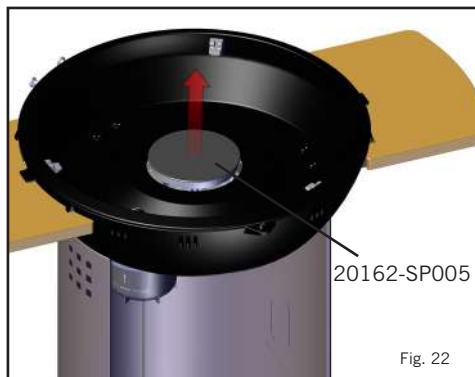


Fig. 22

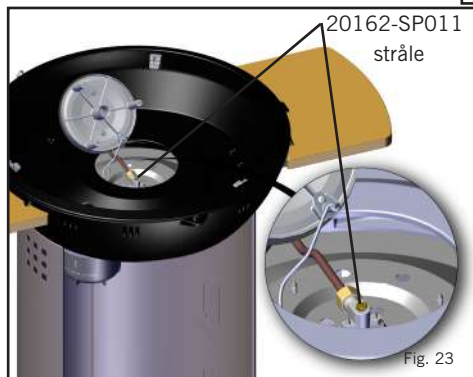


Fig. 23

9. Rengöring

- **OBS:** Hänvisning till delar (se avsnitt 7).
- **BBQ:** Ta bort fett från vallgraven längst ned i fettpannan och rengör såsom beskrivs för Skottel BBQ. Tvätta gallret och deflektorplåten i varmt vatten med icke-slipande rengöringsmedel efter att ha torkat bort fett efter matlagningen.
- **BBQ-locket:** Tvätta BBQ-locket i varmt vatten med lämpligt icke-slipande rengöringsmedel. Använd inte vassa metallföremål eller slipande rengöringsmedel då det skadar ytans beläggning.
- **OBS:** Använd rengöringsmedel särskilt för ugnar, för svåra fläckar.
Skötsel av Non-Stickbehandlade matlagningssytor:
- De Non-Stickbehandlade matlagningssytor har en PTFE-beläggning som har använts med stor framgång på några av de bästa köksredskapen i världen. De bör dock underhållas väl för att under många år kunna tjäna som ett hälsosamt och enkelt sätt att laga mat utan fastnade rester.
- Håll värmen låg eller medelhög för att bibehålla både ingrediensernas värdefulla näringsämnen och den Non-Stickbehandlade ytan.
- Den Non-Stickbehandlade ytan kan lätt skadas om köksredskap av metall används.
- **OBS! Vi rekommenderar att endast använda redskap av plast eller trä vid matlagningen.**
- Låt inte den Non-Stickbehandlade matlagningssytan bli för varm och håll alltid i lite matolja innan du börjar tillagningen.
- **Låt alltid den Non-Stickbehandlade ytan kallna innan du sänker ner det i vatten.**
- Plåten kan utan problem diskas i maskin, men Non-Stickytan är så lätt att rengöra att en snabb handdisk är enklare.
- **Slipande rengöringsmedel bör undvikas eftersom det skulle skada den Non-Stickbehandlade ytan.**
- Smörj ytan lätt med vegetabilisk olja efter rengöringen.
- Ta bort fett från fettpannan och rengör såsom beskrivs för BBQ ovan, efter varje användning.

10. Förvaring och transport

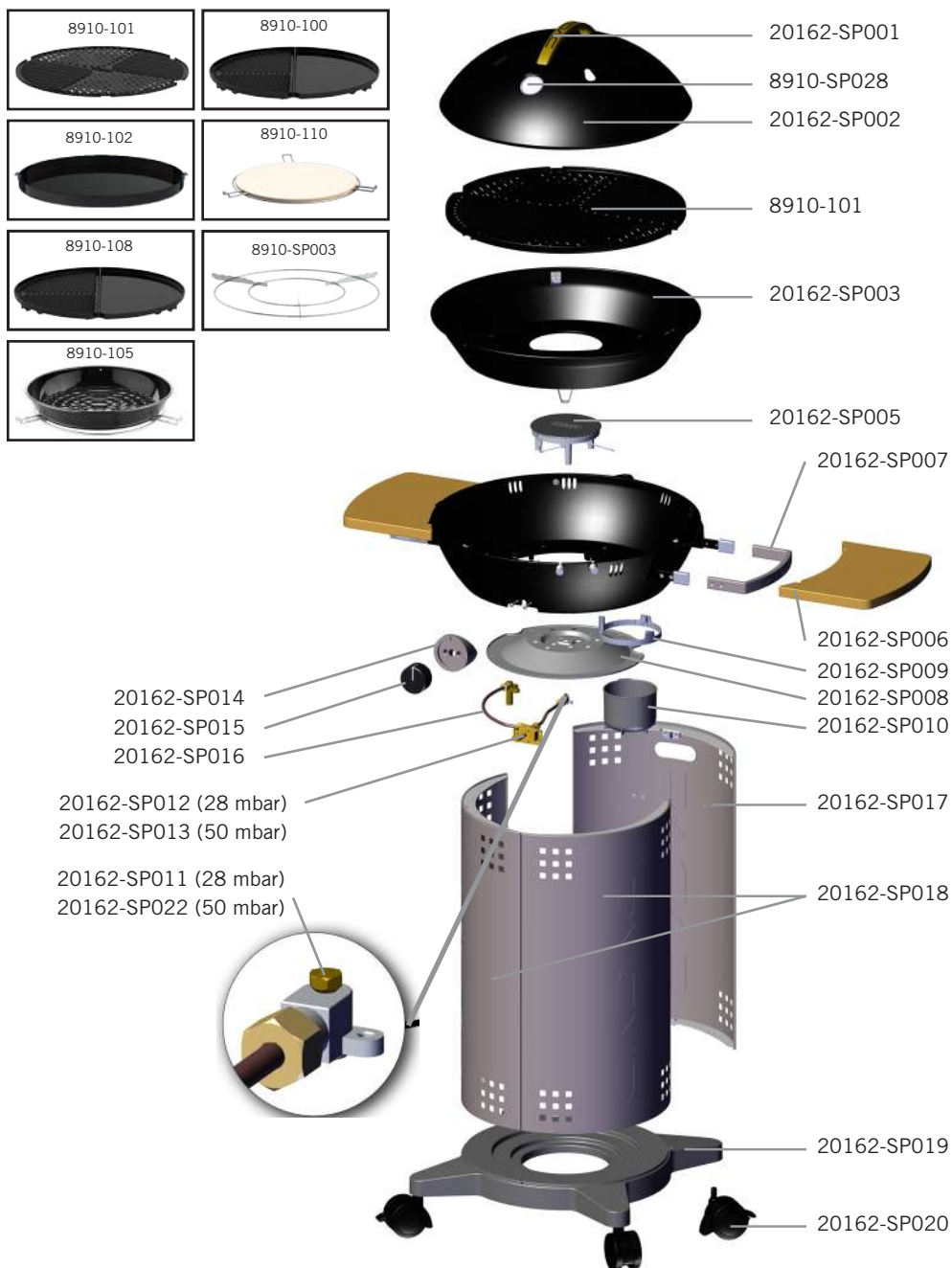
- BBQ-locket går in på den bakre delen av påsen med de spänntampar som finns med.
- Om apparaten inte fungerar normalt efter undanställning och ingen av kontrollerna i avsnitt 5 och 8 har kunnat identifiera något problem, kan venturiröret ha blockerats. Ett blockerat venturirör kan kännas igen på en svagare, gulaktig låga, eller i extrema fall ingen låga alls. I så fall måste brännaren avlägsnas enligt beskrivningen i avsnitt 8 – Allmänt underhåll; kontrollera sedan venturiröret och rensa ut alla främmande substanser som kan ha samlats i det.

11. Retur av apparaten för reparation eller service

- Gör inga ändringar på apparaten, eftersom det kan vara farligt.
- Om ett fel inte kan rättas till genom att följa dessa instruktioner, kontakta då den lokala CADAC-återförsäljaren för information om hur man lämnar in produkten för tillsyn.
- För CADAC Citi Chef lämnar CADAC en garanti på 5 år för fabriksfel.

12. Reservdelar och tillbehör

- Använd alltid reservdelar av CADAC originaltyp, dessa är särskilt konstruerade för bästa funktion..



OPOZORILO:

izdelek je namenjen samo zunanji uporabi!

POZOR:

preberite ta navodila pred začetkom uporabe izdelka. Po končanem branju navodila shranite.

1. PREDSTAVITEV

- Ta naprava je bila zasnovana z namenom priprave hrane na odprtem, še posebej na terasi.
- Na napravi se lahko pripravijo različne vrste jedi. Urban Chef 50 je zasnovan, da se lahko uporabi več površin za pripravo jedi.
- Plin je do naprave speljan preko cevi in regulatorja. Cev in regulator se lahko priključita na plinsko jeklenko (nista priložena k napravi).
- Izdelek je lahek za uporabo (glej točko 6).

2. SPLOŠNE INFORMACIJE

- Izdelek je skladen z BS EN 498; 2012 in SANS 1539:2012
- Izdelek je uporaben samo z odobrenimi cevmi in regulatorji, ki so podprti s strani RS.
- OPOZORILO; izdelek se lahko močno segreje. Ne pustite otrok sami v bližini izdelka.
- Za ta izdelek se uporablja plinska jeklenka, ki ne meri več kot 0,5m v višino
- Ker izdelek za svoje delovanje potrebuje plin, je potrebno izdelek uporabljati v močno prezračevanem prostoru oz zunaj. Izdelek je namenjen je za zunanjo uporabo.
- Pozorno preberite navodila pred začetkom uporabe izdelka.

Države v uporabi	BE,CH,CY,CZ,ES,FR,GB,GR,IE,IT,LT,LU,LV,PT,SK in SL		PL	BE, CY, DK, EE, FR, FI, HU, IT, LT, NL, NO, SE, SI, SK, RO, HR, TR, BG, JS, LU, MT in ZA	AT, CH, DE & SK
Kategorija naprave	I ₃ +(28-30/37)		I _{3B/P} (37)	I _{3B/P} (30)	I _{3B/P} (50)
PLIN	Butan-G30	Propan-G31	Butan-G30, Propan-G31 ali njuna mešanica		
Pritisk plina	28~30 mbar	37 mbar	37 mbar	28~30 mbar (2.8 kPa for South Africa)	50 mbar
Št. Regulatorja (mm)	0.95		0.91	0.95	0.85
Nominalna poraba	270 g/h				
Bruto moč toplote	3.7 kW				
Uporaba plina	Izdelek lahko uporablja primerne cevi in regulator, ki se priklopi na plinsko jeklenko, ki ne sme tehtati več kot 9kg.				

Ime in okrajšava države

AE = United Arab Emirates	AL = Albania	AT = Austria	BE = Belgium	CH = Switzerland
CZ = Czech Republic	DE = Germany	DK = Denmark	ES = Spain	FI = Finland
FR = France	GB = United Kingdom	GR = Greece	HR = Croatia	IT = Italy
JP = Japan	KR = Korea	NL = Netherlands	NO = Norway	PL = Poland
PT = Portugal	RO = Romania	RU = Russia	RS = Serbia	SI = Slovenia
SK = Slovakia	SE = Sweden	TR = Turkey	ZA = South Africa	

3. VARNOSTNA NAVODILA

- CEVI
- Cevi in regulator nista priložena poleg izdelka in jih je potrebno dokupiti.
- Pred vsako uporabo je potrebno preveriti ali so cevi in regulator brez poškodb preden jih priklopimo na plinsko jeklenko.
- Izdelka ne uporabljajte v kolikor so cevi in regulator poškodovani ali puščajo plin.

PLINSKA JEKLENKA

- Uporabljajte plinske jeklenke, ki so v skladu z zakonom Republike Slovenije.
- Plinsko jeklenko je potrebno menjati v dobro prezračenem prostoru oz najbolje je menjavati jeklenko zunaj, stran od vnetljivih snovi in predmetov.
- Plinsko jeklenko je potrebno držati daleč stran od vnetljivih snovi, ognja in drugih vročih predmetov, saj lahko privede do hudih poškodb.
- Plinske jeklenke je potrebno držati pokončno, saj samo tako lahko zagotovimo pravi pretok plina skozi cevi in regulator.
- Plinske jeklenke NIKOLI ne premikamo dokler je ta v uporabi.
- Ko zaključimo z uporabo izdelka je potrebno plinsko jeklenko odklopiti preden izdelek očistimo in shranimo.

SESTAVA IN UPORABA

- Izdelek je izdelan tako, da so nogice in pomožni pladenj lahko odstranljivi in nato ponovno sestavljivi, kar nam omogoča hiter prenos izdelka.
 - Sestava oz razstavljanje izdelka je časovno omejen na vgradnjo nog in pomožnega pladenj ter montaže oz odstranitve kuhalne površine.
 - Ko montiramo nogice, moramo preveriti ali smo nogice dobro pričvrstili na njihov položaj in ali je izdelek stabilen preden ga začnemo uporabljati. **NUJNO** je da se pri montaži nog, postavi pomožni pladenj na svoje mesto, saj igra zelo pomembno vlogo pri stabilnosti izdelka.
 - Izdelek uporabljati samo na trdi površini.
 - Izdelka NE PREMIKAMO ko je ta še v uporabi.
 - V kolikor ugotovite kakršnekoli poškodbe na samem izdelku, ga ne popravljajte sami. Kontaktirajte svojega prodajalca oz serviserja.
 - Ne prekrivajte ali spreminjajte zračnike v pokrovu izdelka, saj bo to vplivalo na uspešnost izdelka in lahko privede do nestabilnega ognja
 - Poskrbite, da je izdelek vedno oddaljen od vnetljivih snovi, ko ga uporabljate. Minimalna varnostna razdalja je: nad izdelkom 1,2m, ob straneh 0,6m (glej FIG 2)
 - **POZOR**; ko izdelek uporabljate priporočamo uporabo varnostnih rokavic, saj se izdelek močno segreje in lahko privede do hudih poškodb, v kolikor se boste izdelka dotikali z roko.
 - **POZOR**; ne pustite otrok samih v bližini izdelka.
 - Izdelek se uporablja samo ZUNAJ!
 - **OPOZORILO**; v kolikor uporabljate izdelek v vetrovnem vremenu, je potrebno uporabiti pokrov izdelka, kot štčit pred vetrom, kot je prikazano v FIG 4.
- #### NEKONTROLIRAN OGENJ
- V primeru nekontroliranega ognja, TAKOJ odklopite dovod plina. To storite tako, da najprej zaprete kontrolni gumb na dovod plina na plinski jeklenki. Nato se zapre regulator, ki dovaja plin do izdelka. Ko se ogenj ugasne, odstranimo regulator in preverimo stanje ventila; ventil menjamo v kolikor smo menja, da je poškodovan. Kako ravnati v primeru nekontroliranega ognja je bolj podrobno napisano pod točko 6. V kolikor boste imeli nekontroliran ogenj tudi po zamenjavi vseh potrebnih delov (cevi, regulatorja, plinska jeklenka), kontaktirajte vašega prodajalca oz serviserja.
- #### PUŠČANJA PLINA
- V kolikor ugotovite, da vam uhaja plin, nemudoma ugasnite izdelek ter ga odnesite ven v kolikor niste zunaj. Če želite preveriti kje prihaja do uhajanja plina, priporočamo uporabo milnice. V kolikor niste ugotovili izvora uhajanja plina TAKOJ pokličite vašega prodajalca oz serviserja.
 - V primeru, da plinski jeklenki uhaja plin, jeklenko nemudoma odnesite ven, daleč stran od vnetljivih predmetov. Uhajanje plina preverjamo z koriščenjem milnice.
 - Ko menjamo plinsko jeklenko, prvo moramo zapreti plin, in sicer to storimo tako da najprej zapremo oz ugasnemo plin z gumbom (OFF), tako da ga obračamo v smeri urinega kazalca.



Slika. 1



Slika. 2



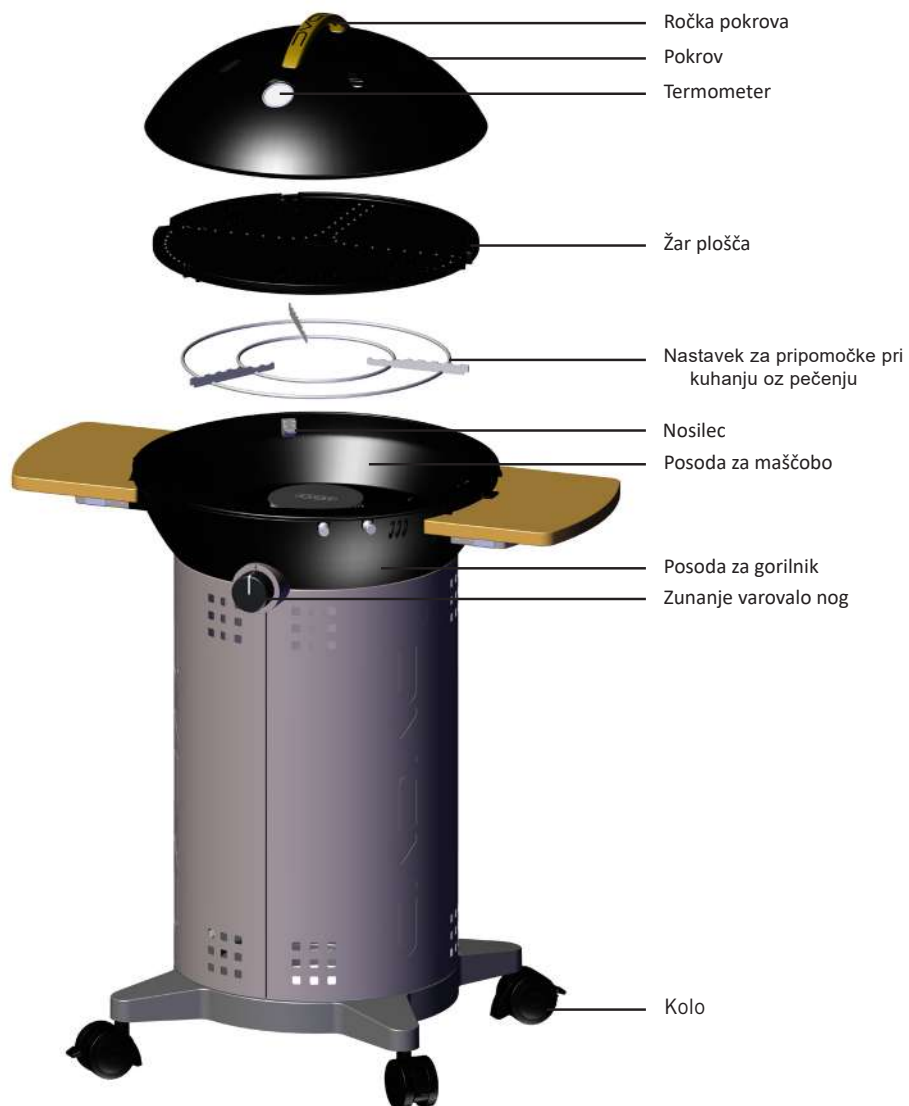
Slika. 3



Slika. 4

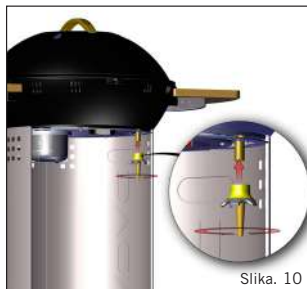
4. KOMBINIRANJE IZDELKA

Citi Chef 50 – kombinacija z žar ploščo (koda artikla: 20162-20)



5. MENJAVA CEVI, REGULATORJA IN PLINSKE JEKLENKE

- **POZOR!** Pri nastavljanju ventila za plin na izdelek, morate ventil naviti naravnost saj s tem preprečite puščanje plina. Ventil zategniti z ustreznim ključem. (glej FIG 10)
- Regulatorji primeri za ta izdelek so I 3B/P (30), I 3B/P (37) in I 3+ (28-30/37)
- Pred nastavitvijo regulatorja na plinsko jeklenko, poskrbite, da je tesnilo na regulatorju na pravi poziciji in v dobrem stanju. To je potrebno preveriti pred vsako uporabo.
- Poskrbite, da je plinska jeklenka napolnjena oz zamenjana zunaj, daleč stran od gorljivih teles
- Poskrbite, da bo plinska jeklenka stala pokonci, privijte regulator na svoje mesto. **NE SMETE PREVEČ PRIVIJAJČITI(!)**
- V kolikor se pojavi uhajanje plina (neprijeten vonj), TAKOJ ugasnite napravo. V kolikor želite sami preveriti, kje je prišlo do uhajanja plina, storite to zunaj oz v dobro prezračenem okolju, z uporabo milnice, ki se nanese na sestavljene sklepe naprave. Kjer se pojavijo mehurčki na cevi, tam uhaja plin.
- Preverite vse sestavljene sklepe naprave z milnico. V kolikor ne morete locirati uhajanje plina, **NE UPORABLJAJTE** naprave. Kontaktirajte svojega prodajalca oz serviserja za pomoč.
- Ob menjavi plinske jeklenke zaprite ventil (v kolikor je pričvrščen)(Figs 4. In 6). Poskrbite da je plamen ugasnjen, nato odvijte regulator. Ko storite vse to lahko zamenjate plinsko jeklenko.



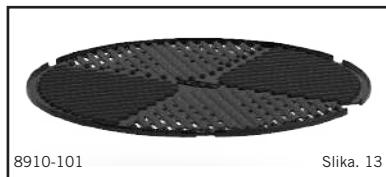
6. UPORABA IZDELKA

- Izdelek se vedno uporablja na ravni površini
- Ne premikajte izdelek dokler je ta v uporabi.
- Pred uporabo izdelka preverite, da niso v bližini vnetljivi predmeti. Najmanjša varnostna razdalja, ki jo je potrebno upoštevati ob uporabi izdelka je 1,2m nad izdelkom, 0,6m okoli izdelka.
- **OPOZORILO;** izdelek se lahko zelo segreje. Priporočljiva uporaba varnostnih rokavic.
- Ne pustite otrokom v bližino oz da sami upravljajo izdelek
- Izdelek je najbolje **VEDNO** koristiti zunaj.
- Normalen plamen je modre barve z konico ognja obarvano v rumeno. V kolikor vam gori rumen ogenj, pomeni, da imate poškodovan regulator oz cevi. Ponovno preberite točko 5 (Uporaba izdelka) in se ravnajte po njenih navodilih. Zaprite regulator, da ne uhaja plin iz jeklenke. Vzrok rumenega plamena je lahko tudi v prepolni plinski jeklenki. Takšno plinsko jeklenko je potrebno takoj vrniti prodajalcu, da se preveri teža jeklenke.
- Preverite da je cev na plinski jeklenki čista in brez poškodb.
- V kolikor ognja ne more prižgati oz je ta zelo slab, preverite ali imate dovolj plina v plinski jeklenki.
- Izdelek vedno uporabljajte na ravni podlagi s plinsko jeklenko postavljeno pokončno.

7. UPORABA IZDELKA IN NJEGOVIH DELOV



Slika. 11



8910-101

Slika. 13

PLOŠČA ZA BBQ (glej FIG 13)

- BBQ plošča je locirana na 3 nosilcih v ponvi za maščobo (glej FIG 11)
- Površina je narejena tako, da se na njo ne bodo prilepili ostanki maščobe oz hrane.
- Pri uporabi BBQ plošče je potrebno uporabljati lesene pripomočke oz plastične pripomočke za kuhanje, da se izognemo poškodbam plošče
- Plošča je idealna za pečenje mesa, rib, piščanca in zelenjave
- **OPOZORILO:** pri uporabi BBQ plošče priporočamo uporabo zaščitnih rokavic, saj se izdelek močno segreje in brez uporabe rokavic lahko privede do hudih poškodb.

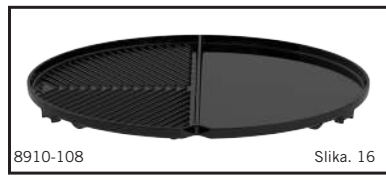


8910-102

Slika. 15

NEPRIMAJOČA PONEV (glej FIG 15)

- Ponev je locirana na 3 nosilcih v ponvi za maščobo (glej FIG 11)
- Površina je narejena tako, da se na njo ne bodo prilepili ostanki maščobe oz hrane.
- Pri uporabi poneve je potrebno uporabljati lesene pripomočke oz plastične pripomočke za kuhanje, da se izognemo poškodbam poneve
- **OPOZORILO:** pri kuhanju in uporabi poneve skupaj s pokrovom, ponev ne smi biti na ognju dlje kot 15min, saj lahko privede do poškodbe poneve.
- **OPOZORILO:** priporočamo uporabo zaščitnih rokavic, saj se izdelek močno segreje in brez uporabe rokavic lahko privede do hudih poškodb.



8910-108

Slika. 16

BBQ Planča (Fig. 16)

- BBQ planča omogoča maksimalno vsestranskost z odprtim žar BBQ na eni strani in ravno žar ponev na drugi strani.
- Keramični oblogo je enostaven za uporabo in čiščenje.
- Priročna torba je vključena.
- **OPOZORILO:** Priporočamo uporabo rokavic pri ravnanju z BBQ Planča.



8910-105

Slika. 17

PEKAČ (glej FIG 17)

- Ta izdelek ni priložen nobenemu modelu, vendar ga je možnost dokupiti.
- Površina je iz lakiranega porcelana
- Idealen je za pripravo pečenega piščanca, jagnjetine, zelenjave itd.
- **OPOZORILO:** priporočamo uporabo zaščitnih rokavic, saj se izdelek močno segreje in brez uporabe rokavic lahko privede do hudih poškodb.

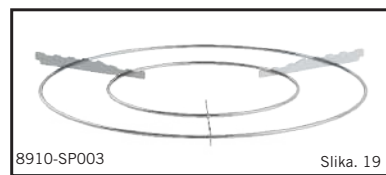


8910-110

Slika. 18

Pica pekač (glej FIG 18)

- Ta izdelek ni priložen nobenemu modelu, vendar ga je možnost dokupiti.
- 10mm debel kamen za pečenje pic, lahko prenese temperature do 500 stopinj C.
- Pekač vključuje ponikljano držalno žico
- **OPOZORILO:** priporočamo uporabo zaščitnih rokavic, saj se izdelek močno segreje in brez uporabe rokavic lahko privede do hudih poškodb.

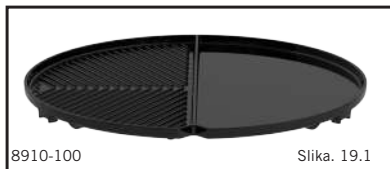


8910-SP003

Slika. 19

Nastavek za pripomočke pri kuhanju oz pečenju (Fig. 19)

- Ponikljano stojalo, ki podpira najbolj standardne velikosti loncev
- **OPOZORILO:** priporočamo uporabo zaščitnih rokavic, saj se izdelek močno segreje in brez uporabe rokavic lahko privede do hudih poškodb



8910-100

Slika. 19.1

Grill 2 Braai (Fig. 16)

- Priloženo pri modelu 8910-50, 8910-51 in 8910-52
- Grill 2 Braai je locirana na 3 nosilcih v ponvi za maščobo (Fig 11)
- Površina je narejena tako, da se na njo ne bodo prilepili ostanki maščobe oz. hrane.
- Pri uporabi Grill 2 Braai je potrebno uporabljati lesene pripomočke oz. plastične pripomočke za kuhanje, da se izognemo poškodbam Grill 2 Braai
- Ravna polovica plošče je primerna za kuhanje rib, zajtrkov oz. palačink, med tem ko je rebrasti del plošče namenjen za pečenje mesa, rib, piščanca in zelenjave.
- OPOZORILO: priporočamo uporabo zaščitnih rokavic, saj se izdelek močno segreje in brez uporabe rokavic lahko privede do hudih poškodb.

- **POMEMBNO!** Da zagotovimo veljavnost garancije, uporabljajte samo CADAC dele namenjene temu izdelku.
- **OPOZORILO!** v kolikor uporabljate izdelek v vetrovnem vremenu, je potrebno uporabiti pokrov izdelka, kot štيت pred vetrom, kot je prikazano v FIG 4.

8. VZDRŽEVANJE

- Menjava zamašenega ventila;
- Vaš izdelek je nameščen z regulatorjem posebne velikosti, ki uravnava količino plina
- V kolikor se pojavi uhajanje plina (neprijeten vonj), TAKOJ ugasnite napravo. V kolikor želite sami preveriti, kje je prišlo do uhajanja plina, storite to zunaj oz. v dobro prezračenem okolju, z uporabo milnice, ki se nanese na sestavljene sklepe naprave. Kjer se pojavijo mehurčki na cevi, tam uhaja plin.
- Zamenjava šobe: Potisnite nazaj panelno ploščo tako, da uporabite ročaj (prikaz št. 20). Odstranite pokrov, ploščo za peko, stojalo za kuhali in preostale elemente iz naprave. Sedaj odvijte 3 vijake pod napravo kot prikazano na sliki 21, kar bo sprostilo gorilnik. Nežno odstranite gorilnik tako, da ga dvignete ven (slika 22). PAZLJIVO, saj je priključen na vžigalni kabel. NE POTEGNITE gorilnika sunkovito, saj lahko v tem primeru izključite vžigalno žico iz naprave. Nežno obrnite gorilnik na stran, kar bo odkrilo šobo. Šoba se sedaj lahko odstrani s primernim ključem. Ne uporabljajte klešč na šobi, saj jo le te lahko poškodujejo in onemogočijo odstranitev. Privijte novo šobo na ventil, vendar ne premočno, da je ne poškodujete.
- MENJAVA REGULATORJA; odstranite 3 vijake iz glavne plošče izdelka (FIG 21). Ostranite glavno ploščo (FIG 22), pri tem pazite, da ne poškodujete piezo elektrode. Regulator (B) se lahko odstrani s primernim ključem (FIG 23). Ne uporabljajte klešč pri menjavi regulatorja, saj ga lahko poškodujete. Sedaj lahko vstavite nov regulator. Regulatorja ne smemo premočno pričvrstiti nazaj na svoje mesto. Izdelek sestavite nazaj v obratnem vrstnem redu, kot je zgoraj napisano.



Fig. 20

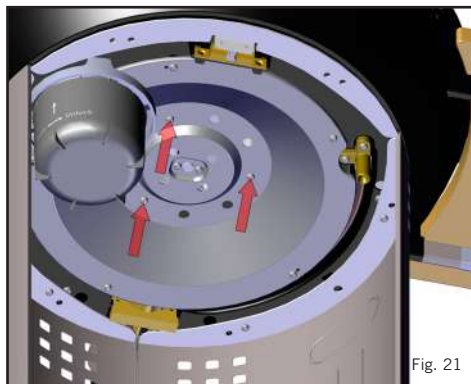


Fig. 21

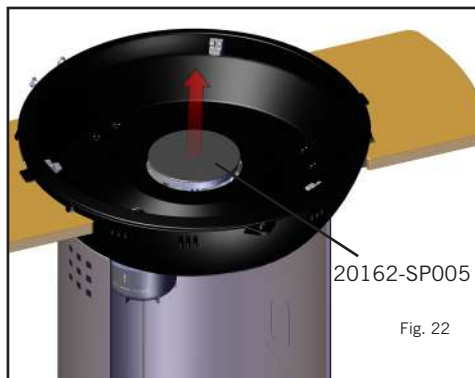
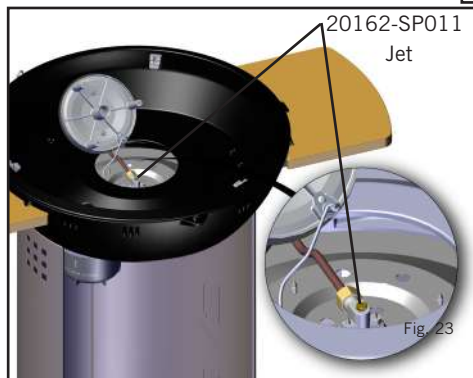


Fig. 22



9. ČIŠČENJE

- BBQ; Odstranimo maščobo (olje) iz spodnjega dela posode in nato očistimo ploščo na isti način kot smo očistili Skottel.
- BBQ pokrov; Pokrov je potrebno oprati s milnico. Ne uporabljamo ostrih in kovinskih izdelkov za čiščenje pokrova, saj ga lahko resno poškodujete.
- OPOZORILO; priporočljiva je uporaba samo plastičnih oz lesenih pripomočkov za kuhanje
- Ne smemo pregreti neprimajoče se površine. Po vsaki uporabi dodamo malo kuhinjskega olja pred začetkom uporabe elementov.
- Vedno dovolite, da se neprimajoče površine ohladijo preden jih postavite v vodo na čiščenje.
- Po opravljenem čiščenju je priporočljivo, da se površine premažejo z kapljico rastlinskega olja.
- Po vsaki uporabi, odstranite maščobo iz glavne posode izdelka in nato očistite posodo kot je zgoraj navedeno.

10. SHRANJEVANJE

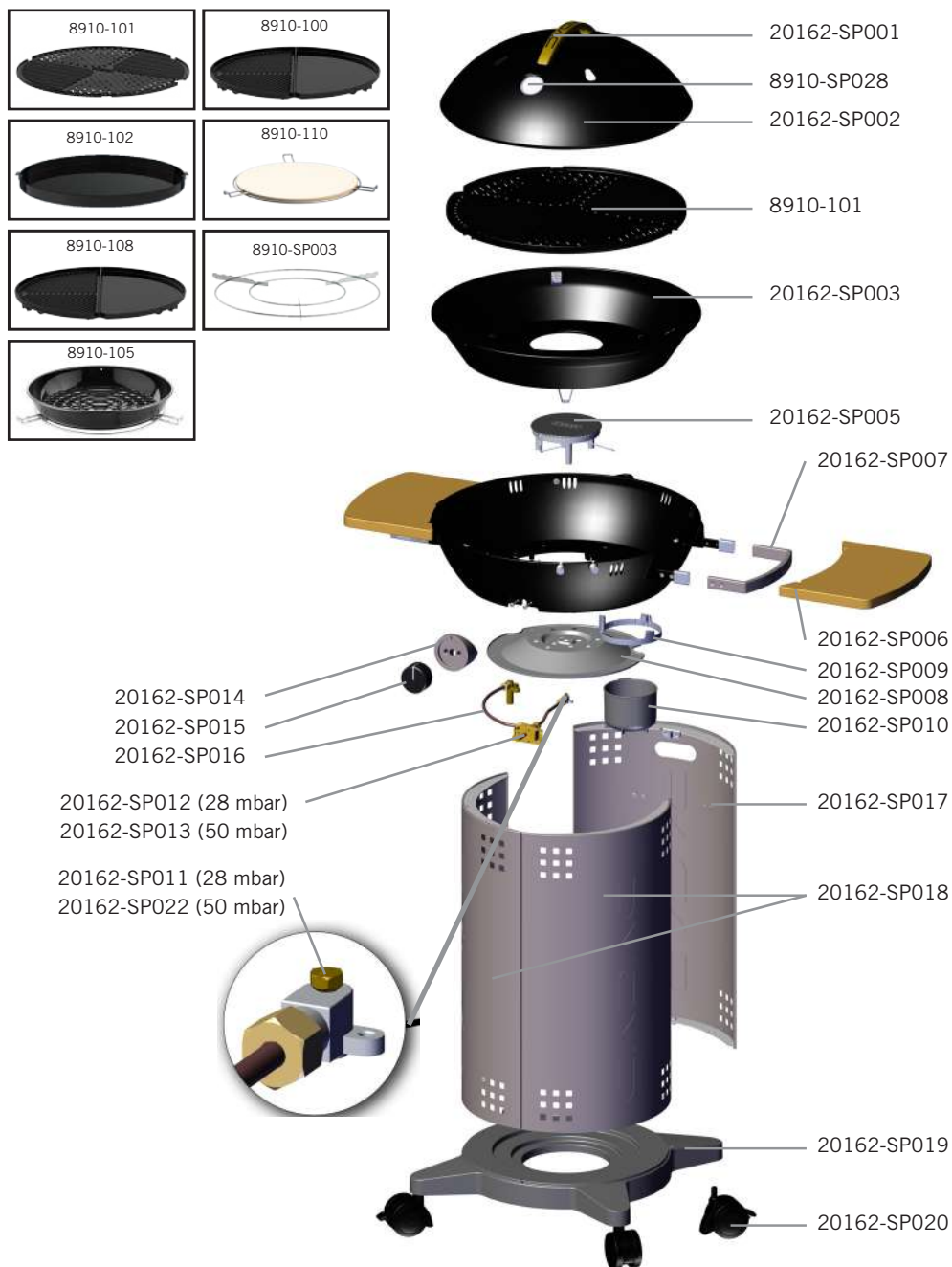
- Pri shranjevanju izdelka bodite pozorni, kje ga puščate. Izogibajte se padanju izdelka in ga zaščitite pred udarci.
- Po uporabi izdelka počakajte, da se izdelek prvo ohladi, nato odstranite plinsko jeklenko in izdelek čuvajte v hladnem in suhem prostoru. Plinsko jeklenko obvezno čuvajte v dobro zračenem prostoru.
- Zaželeno je da izdelek postavite v prevleko namenjeno izdelku oz njemu podobnem izdelku, saj boste tako preprečili poškodbe, izdelek skrili pred umazanijo in različnimi insekti, ki lahko privedejo do poškodb pri pretoku plina. Plinsko jeklenko VEDNO držimo pokončno.
- Izdelek se po končani uporabi in čiščenju, prekrije z pokrovom in ga nato spravimo kot je zgoraj opisano.

11. SERVIS

- Nikoli ne dograjajte dele, ki niso primerni za ta izdelek. To lahko privede, da izdelek ne bo več primerno deloval.
- Vsako neprimerno delovanje z izdelkom (modifikacija), bo upoštevano pri reklamacijah, ki zaradi tega ne bodo mogle biti upoštevane.
- V kolikor se pokvarjeni artikel ne more popraviti kontaktirajte svojega prodajalca oz serviserja.

12. DODATKI

- Vedno uporabljajte CADAC rezervne dele, ki so bili narejeni posebej za to, da omogočijo najboljše delovanje vašega izdelka.





LIVE THE BRAAI LIFE

CADAC INTERNATIONAL

P.O. Box 43196,
Industria, 2042 South Africa
Tel: +27 11 470 6600
Email: info@cadac.co.za
www.cadacinternational.com

CADAC UK

1 Open Barn
Backridge Farm Business Centre
Twitter Lane, Bashall Eaves
Clitheroe, BB7 3LQ, UK
Tel: +44 333 200 0363
Email: info@cadacuk.com
www.cadacinternational.com

CADAC NEW ZEALAND

Riverlea Group (Pty) Ltd
2A Maui Street, Pukete,
Hamilton 3200, New Zealand
Tel: +64 7 847 0204
Email: sales@riverleagroup.co.nz
www.riverleagroup.co.nz

CADAC IRAN

Robin Bazarganan Carin Co.
Unit D, 6th Floor, Negin Zafar
Building, No.1327,
Shariati Street, Tehran, Iran
Tel: +98 21 276 00 781
Mail: info@cadac.ir

CADAC MALAYSIA

Katrin BJ SDN BHD (90816-M)
No 12, Jalan TP2, Taman
Perindustrian SIME UEP,
47600 Subang Jaya, Selangor
Darul, Ehsan, Malaysia.
Tel (603) 8023 3939
info@katrinbj.com

CADAC MOZAMBIQUE

Exclusive Brands Africa
492 Avenida Namaacha
Maputo, Mozambique
Tel: +258 21 406254
www.cadac.co.mz

CADAC MONTENEGRO

Cetinjski put bb, novi City
kvart, zg. I, lokal 6
81101 Podgorica, Monte Negro
Tel: +38269020063
Email: coca@t-com.me

CADAC EUROPE

Ratio 26, 6921 RW Duiven
The Netherlands
Tel: +31 26 319 7740
Email: info@cadaceurope.com
www.cadacinternational.com

CADAC SCANDINAVIA

Millarco International A/S
Rokhøj 26
8520 Lystrup, Denmark
Phone: +45 87 43 42 00
millarco@millarco.dk
www.millarco.com

CADAC AUSTRALIA

CADAC-BBQ Pty Ltd, Australia
Tel: +61 420 503 967
Customer Care: 1300 135 011
Email: info@cadacbbq.com.au
www.cadacbbq.com.au

CADAC DENMARK

Camper Fritid
Industrivej 11
6640 Lunderskov, Denmark
Tel.: +45 7558 5255
Email: info@camper.dk
www.camper.dk

CADAC CHINA

Room 807, Huayue International
Building, No.255 Tiangao Road,
South
Yinzhou business district,
Ningbo, China
Tel: +86 574 87723937
Email: info@cadac.com.cn

CADAC U.A.E.

Supreme Impex General Trading
LLC Office No. 1801-7 Latifa
Tower Sheikh Zayed Road
Dubai, UAE

CADAC HONG KONG

Everything Under The Sun
902 Horizon Plaza, 2 Lee Wing Street,
Ap Lei Chau, HK
Tel: +852 2554 9088
Email: info@everythingunderthesun.com.hk
www.everythingunderthesun.com.hk

CADAC GERMANY

Ratio 26, 6921 RW Duiven
The Netherlands
Tel: +31 26 319 7740
Email: info@cadaceurope.com
www.cadacinternational.com

CADAC SOUTH EAST EUROPE

Bulevar oslobodjenja 285
Tel: +381 11 339 2700
Email: sinisaj@cadac.rs
www.cadac.rs

CADAC ISRAEL

Chagim
PO.box 8122819
Hayarden 13, Yavne, Israel
Tel: +972-73-2595666
Email: grill@i-berman.co.il

CADAC SAUDI ARABIA

Noble Ventures
34 Ibn Saad Al Kathib Street,
Khalidiya,
Jeddah, 21435,
Kingdom of Saudi Arabia
info@nobleventures.com

CADAC ZIMBABWE

Exclusive Brands Africa
Unit 8 Birkenhead Park
43 Josiah Chinamano Street
Belmont, Bulawayo
Tel: +263 971 740 (Bul)
Tel: +263 479 2564 (Har)
www.cadac.co.zw

CADAC SWEDEN & NORWAY

KAMA FRITID AB
0046 36 353700
info@kamafritid.se

CADAC FRANCE

Le Viallon, 42520 Veranne
France
Tel: +33 4 74 78 13 65
Email: info@cadaceurope.com
www.cadacinternational.com

CADAC USA

50 Mountain View Road
Warren, NJ, 07059
Tel: 908 604 0677
Email: cadacusa@yahoo.com

CADAC KOREA

Suite 502 Pika Bldg.
Hogye-Dong, Anyang-Si,
Gyeonggi-Do, South Korea
Tel: +82 31 427 5466
cadackorea@gmail.com

CADAC ITALY

Brunner SRL/GMBH
via Buoizzi, 8
39100 Bolzano (Italy)
Tel: +39 0471 542900
Email: info@brunner.it
www.brunnerinternational.com

CADAC ZAMBIA

Exclusive Brands Africa Limited
7225A Kachidza Road
Light Industrial Area
Lusaka, Zambia
Tel: +260 211 842015
Tel: +260977 345034
Email: info@ebagrp.com

CADAC FINLAND

OY KAMA
00358 207920 310
info@kamafritid.fi