

40/75/130W 4ALL UV-C Manual

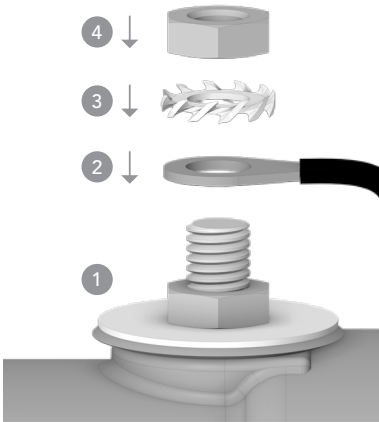
Without timer function



With timer function



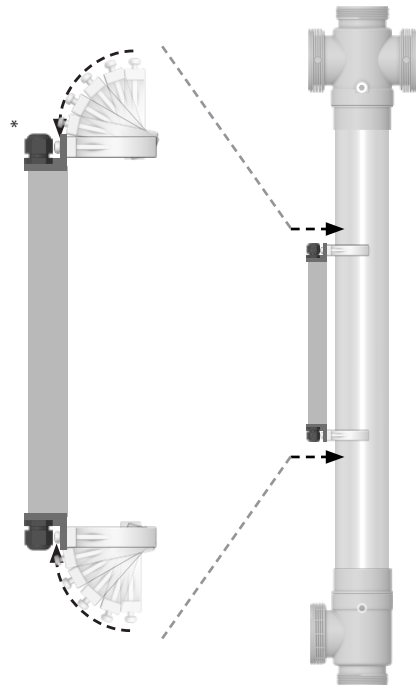
1



2

- EN Ballast attachment can be used optionally
DE Optional kann eine Ballastbefestigung verwendet werden
FR La fixation du ballast peut être utilisée en option
NL Ballast bevestiging optioneel te gebruiken
ES El accesorio de lastre se puede utilizar opcionalmente
PT O acessório de lastro pode ser usado opcionalmente
RU Опционально можно использовать балластное крепление.


* ONLY 40 W / 75 W UNITS

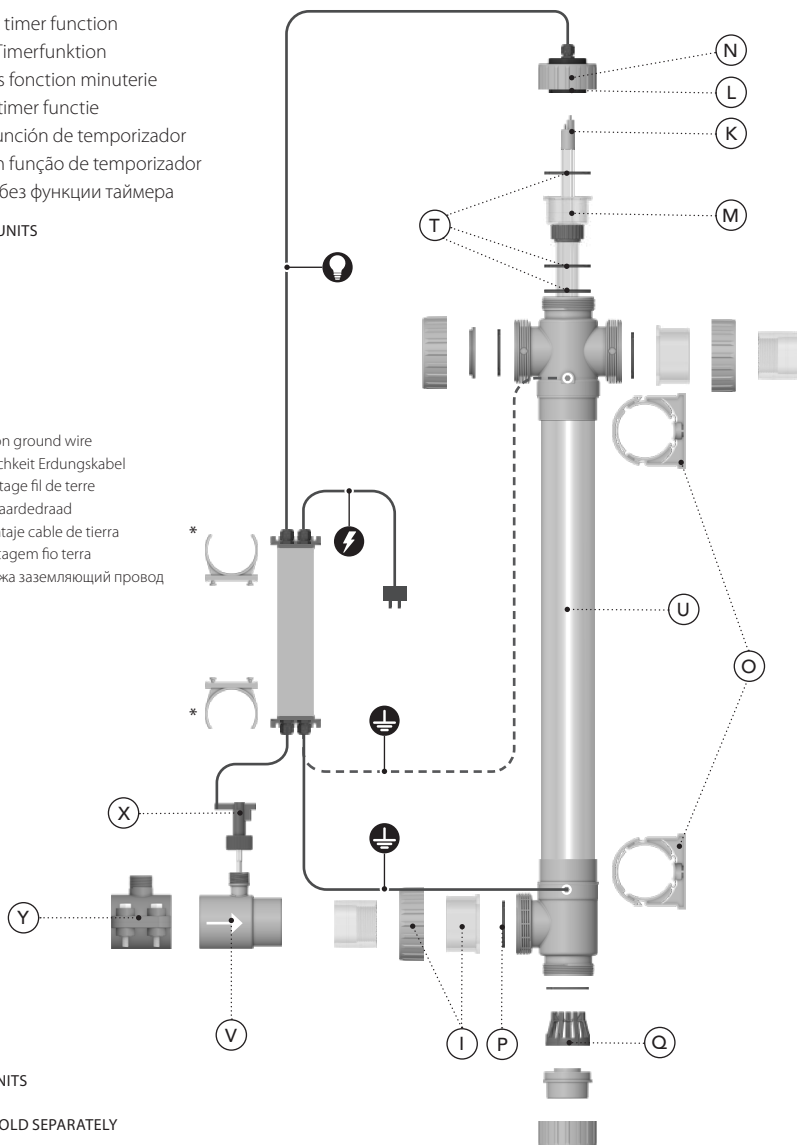


3

EN Unit without timer function
 DE Gerät ohne Timerfunktion
 FR Appareil sans fonction minuterie
 NL Unit zonder timer functie
 ES Unidad sin función de temporizador
 PT Unidade sem função de temporizador
 RU Устройство без функции таймера

* ONLY 40 W / 75 W UNITS

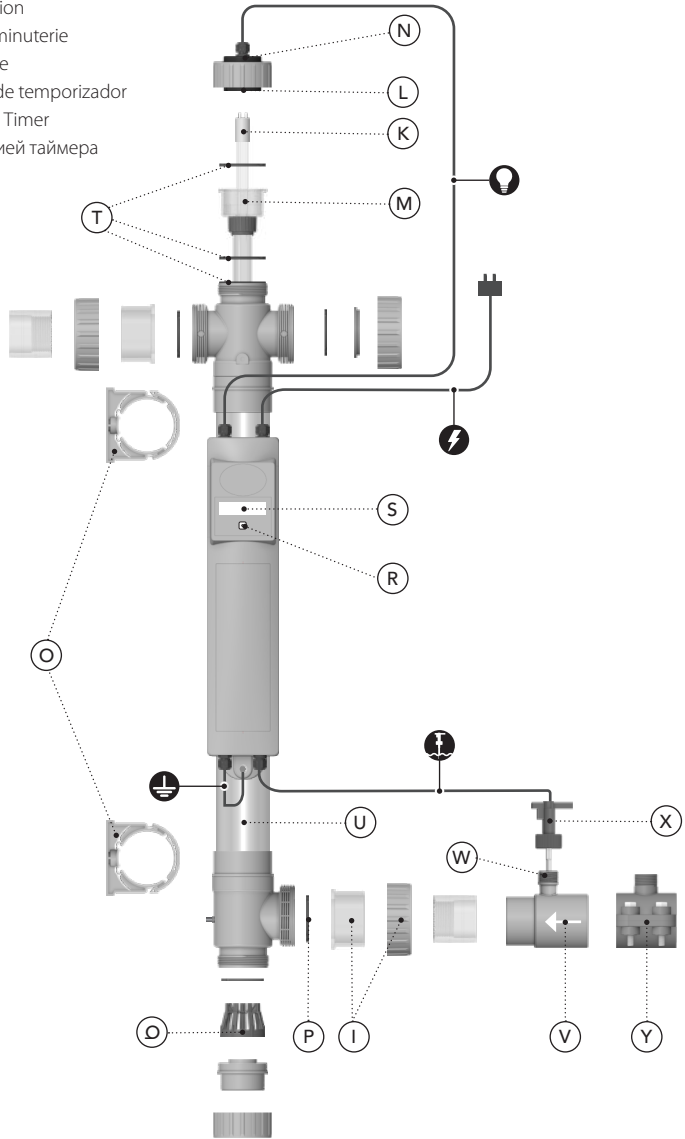

 EN Mounting option ground wire
 DE Montagemöglichkeit Erdungskabel
 FR Option de montage fil de terre
 NL Montage optie aardendraad
 ES Opción de montaje cable de tierra
 PT Opção de montagem fio terra
 RU Вариант монтажа заземляющий провод



(V) ONLY 130 W UNITS

(Y) TAP SADDLE SOLD SEPARATELY

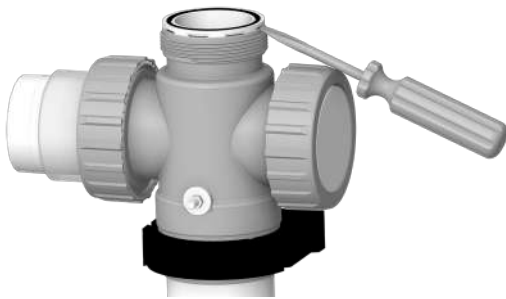
- EN Unit with timer function
- DE Gerät mit Timerfunktion
- FR Unité avec fonction minuterie
- NL Unit met timer functie
- ES Unidad con función de temporizador
- PT Unidade com função Timer
- RU Устройство с функцией таймера



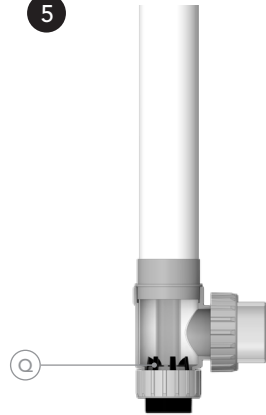
(V) ONLY 130 W UNITS

(Y) TAP SADDLE SOLD SEPARATELY

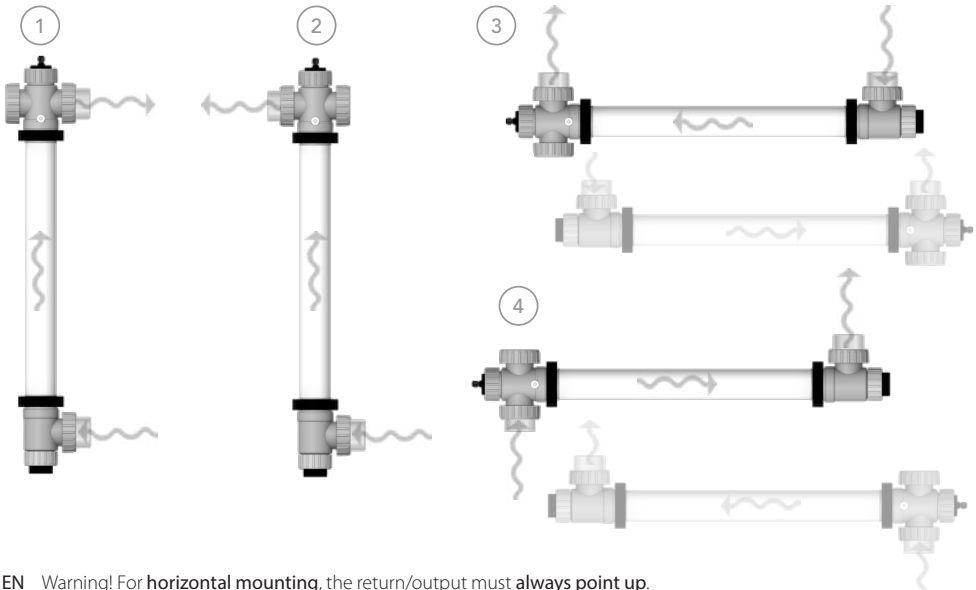
4



5



FLEXIBLE CONNECTION OPTIONS AND POSSIBLE FLOW DIRECTIONS:



EN Warning! For **horizontal mounting**, the return/output must **always point up**.

DE ACHTUNG! Bei einer **horizontalen Montage** muss der Auslauf/Ausgang des Wassers **immer nach oben zeigen**.

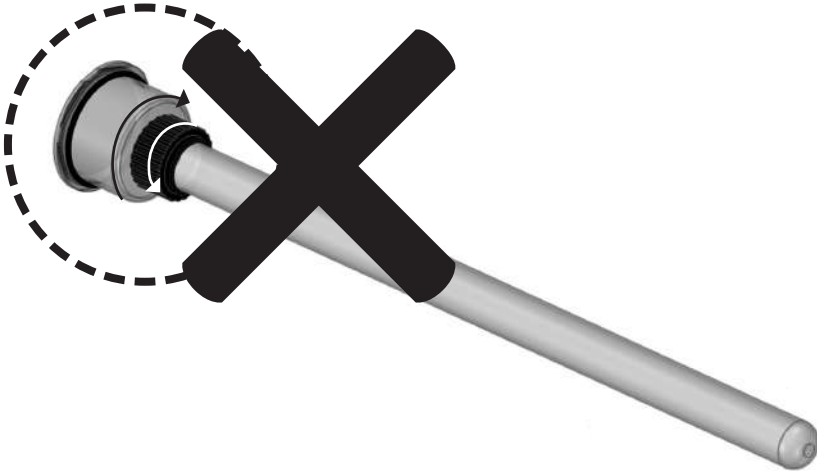
FR Attention ! En cas de **montage horizontal**, le retour/la sortie doit toujours être dirigé(e) vers le haut.

NL Let op! Bij **horizontale montage** dient de retour/uitgang **altijd naar boven te wijzen**.

ES ¡Atención! En el **montaje horizontal**, el retorno y la salida **deben estar siempre hacia arriba**.

PT Atenção! No caso de **montagem numa posição horizontal**, o retorno/a saída **deve estar sempre virado/a para cima**.

RU Внимание! При горизонтальном монтаже возвратный/выходной патрубок должен быть обращен вверх.



EN: Do not disassemble! The quartz glass connection cannot and may not be dismantled. Disassembly attempts can lead to leakage, glass breakage or personal injury. Damage to the UV-C device as a result of dismantling is not covered by the warranty.

DE: Nicht zerlegen! Die Quarzglasverbindung kann und darf nicht zerlegt werden. Demontageversuche können zu Undichtigkeiten, Glasbruch oder Verletzungen führen. Schäden am UV-C-Gerät durch Demontage fallen nicht unter die Garantie.

FR: Ne démontez pas! La connexion en verre de quartz ne peut pas et ne peut pas être démontée. Les tentatives de démontage peuvent entraîner des fuites, des bris de verre ou des blessures. Les dommages à l'appareil UV-C résultant du démontage ne sont pas couverts par la garantie.

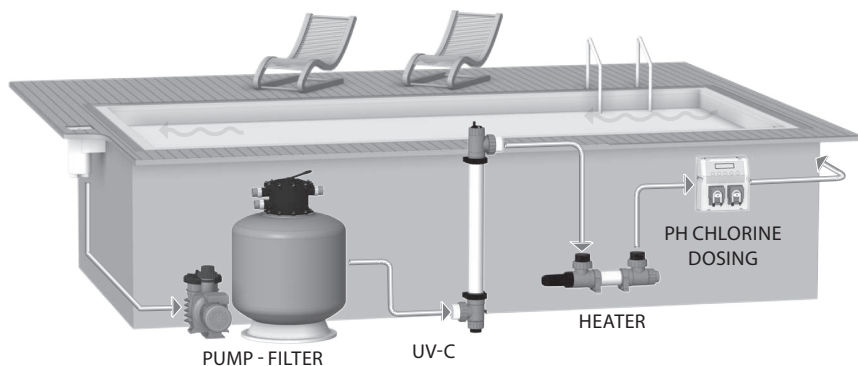
NL: Niet demonteren! De kwartsglasverbinding kan en mag niet worden gedemonteerd. Demontagepogingen kunnen leiden tot lekkage, glasbreuk of persoonlijk letsel. Schade aan het UV-C apparaat als gevolg van demontage valt niet onder de garantie.

ES: No desarme! La conexión de vidrio de cuarzo no puede y no puede desmontarse. Los intentos de desmontaje pueden provocar fugas, rotura de cristales o lesiones personales. El daño al dispositivo UV-C como resultado del desmantelamiento no está cubierto por la garantía.

PT: Não desmonte! A conexão de vidro de quartzo não pode e não pode ser desmontada. Tentativas de desmontagem podem causar vazamento, quebra de vidro ou ferimentos pessoais. Danos ao dispositivo UV-C como resultado da desmontagem não são cobertos pela garantia.

RU: Не разбирайте! Соединение из кварцевого стекла не может и не может быть демонтировано. Попытки разборки могут привести к утечке, поломке стекла или травме. Повреждение устройства UV-C в результате демонтажа не покрывается гарантией.

POSSIBLE INSTALLATION



TECHNICAL SPECIFICATIONS

	UV-C 40W	UV-C 75W	UV-C 130W Amalgam
Type	40.000 /40W	75.000 /75W	150.000 /130W
Rec. flow for 30 mJ/cm ²	11 m ³ /h	16 m ³ /h	22 m ³ /h
Max. pressure	2 bar	2 bar	2 bar
Max. flow	23 m ³ /h	23 m ³ /h	23 m ³ /h
Diameter unit Ø	70 mm	70 mm	70 mm
Length unit	100 cm	100 cm	100 cm
Diameter in-outlet Ø	63mm / 50mm / 1 ½"	63mm / 50mm / 1 ½"	63mm / 50mm / 1 ½"
Housing	Stainless steel/DUPLEX	Stainless steel/DUPLEX	Stainless steel/DUPLEX
Electronic ballast	230V AC 50/60Hz	230V AC 50/60Hz	230V AC 50/60Hz
Maximum current	0,29A	0,57A	1,1A
Lamp wattage	40W	75W	130W
Lifespan lamp	9.000 h	9.000 h	12.000 h
Flow switch	-	-	✓

Extra specs for unit with timer function

Timer	✓	✓	✓
Replace lamp alert	✓	✓	✓



Important Please read carefully through these instructions for use before installing this device.



CAUTION:

Carefully read these instructions before installing this device.



Always make sure to have a correct grounding. When in doubt about the grounding of the electrotechnical installation in general, always consult a licensed electrotechnical mechanic. Faulty grounding can be dangerous, and/or lead to corrosion of stainless steel or aluminium reactors.



It's not permitted to flow a liquid through the reactor or to add additions to the water that has to be treated, which can have a negative effect on corrosion or degradation on the used materials. This to avoid dangerous situations or damage to the reactor and surrounding installations and/or to the flora and fauna.



Radiation of this ultraviolet lamp is dangerous for eyes and skin.



Always free the device of tension first during maintenance! Risk of an electric shock. Connect only to a grounding type receptacle protected by a ground-fault circuit-interrupter (GFCI). Do not use an extension cord.



The quartz glass and the UV-C lamp will stay warm for quite some time after the device has been switched off. It has a cooling time of at least 15 minutes.



Wear gloves to protect the quartz glass and UV-C lamp against fingerprints. Fingerprints can burn into the quartz glass and UV-C lamp while turned on, causing reduction of the disinfection.



The UV-C lamp should never be turned on when there's no flow.



Wear safety glasses during maintenance and installation.

HOW IT WORKS

Inside the reactor a UV-C lamp produces radiation with a wavelength of 253.7 nm. Radiation of this type kills bacteria, viruses, algae and fungi (e.g. Legionella and Cryptosporidium). The UV-C unit produces clean, fresh, clear water in an efficient, environmentally friendly way. The water is fed through the UV-C device by a pump. The UV-C radiation neutralizes bacteria, viruses and other micro-organisms and prevents them from reproducing. Floating algae is also destroyed by this radiation, which greatly improves the clarity of the water. The UV-C unit is equipped with an electronic ballast. This ballast ensures optimum performance of the lamp.

Thanks to the UV-C unit, the water is disinfected efficiently and safely, providing you with excellent water quality. Overdosing with UV-C is not possible.

INSTALLATION OF EARTHING (DRAWING 1)

1. Place the eye (2) of the cable over the earthing bolt (1) attached to the housing.
2. Then insert a serrated washer (3).
3. Finally, place the nut (4) on the earthing bolt.
4. When the parts have been placed on the earthing bolt in the correct order, it can be tightened with a wrench number 8.

DEVICE INSTALLATION (FIGURE 3)

Decide where you want to mount the device. The best place to install the UV-C device is directly after the filter(s). See the schematic diagram in the operating instructions. Make sure there is always water flowing through the device when the lamp is on. Never install the device in direct sunlight.

Install the device in a dry, well-ventilated area. The device can be installed either horizontally or vertically, provided that the water flow is from bottom to top (see schematic diagram at the beginning of the instructions for use), with 30 cm of unobstructed space on the side opposite the lamp connection for future maintenance. At least one metre of unobstructed space must be left on the side with the lamp connection for convenient future replacement of the lamp (K) without having to disconnect the entire device.

CAUTION: All connections and couplings must be hand-tight. Do not tighten them with tools. Otherwise damage may occur.

1. Unscrew the nut (N) from the housing (U). Remove the UV-C lamp (K) from the supplied tube (see packaging) and carefully slide the lamp into the quartz sleeve (M). Place the lamp (K) with the contact pins in the lamp fitting (L) and then tighten the nut (N) on the housing (U).
2. Fit the supplied pipe clamps (O). Then insert the unit into the pipe clamps. Tighten the three-piece coupling (I) firmly, while ensuring the correct position of the sealing rings (P), both at the connections and the quartz sleeve (see figure 3).
3. Mount the unit in the circuit by means of the three-piece coupling (I). The glue connections of the three-piece coupling are $\varnothing 63$ mm or 2". A hose tail adapter can also be used. **ATTENTION:** Allow the glued parts to evaporate for 8 hours.
4. Insert the plug of the UV-C device into an earthed wall socket that is protected by a residual current device.
5. Look through the transparent parts of the device to make sure the lamp is lit.
6. The device is shut off when power is disconnected from the device.

*FOR 130 W AMALGAM ONLY

- The glue coupling for the flow switch (V) must be positioned on the three-piece coupling (I) with the screw thread (W) facing up (see figure 3). The glue coupling (V) can be glued to a three-piece coupling (I). Mount the flow switch (X) which is attached to the electrical section (S) directly to the screw thread (U) of the glue coupling (V) (see figure 2). If the flow switch is mounted differently, the device will not work. The arrow on top of the flow switch (X) must always point in the direction of water flow. If it points in the direction opposite the water flow, the UV-C device will remain off.
- When no water is flowing through the device, the flow switch automatically switches the unit off.

DISASSEMBLY/MAINTENANCE

Always disconnect the power supply during maintenance/disassembly of the device.

The device must be cleaned at least twice a year. When there is a significant amount of algae growth and/or lime build-up in the unit the quartz sleeve (M) must be cleaned.

The special lamp must be replaced after the number of hours of operation has elapsed. The inside of the reactor can be cleaned with a soft brush.

1. Let the water flow out of the device.
2. Unscrew the nut (N) and remove the lamp (K) from the fitting (L). Remove the lamp from the quartz sleeve, and replace the special lamp (K) if necessary. Caution is advised as these are very delicate parts.
3. Carefully remove the quartz sleeve (M) (see figure 3). Never use force! **CAUTION:** Always wear protective gloves and glasses.
4. Clean the quartz sleeve with an appropriate cleanser. Always use a soft cloth to clean the sleeve and avoid scratches.
5. Carefully replace the quartz glass (M) (see drawings 4 and 5). Never force it! And carefully put the end of the quartz glass into the inlet (Q).
6. Carefully place the lamp back in the quartz sleeve, fit the O-ring (T) back onto the quartz sleeve and connect the lamp (K) to the fitting (L). Screw the nut (N) back onto the housing.

If the housing or the electrical section must be replaced, the earthing must first be disconnected from the housing. Please read the Installation and Disassembly section before installing a new housing or electrical section. Make sure you save the various separate parts for the earth connection. These are not supplied with a new housing or electrical section. If in doubt about the connection, consult a qualified installer.

TIMER FUNCTION CONTROL

When the UV-C device is switched on, the program will perform a self-diagnostic test. The display shows the following indications automatically, one after the other: 8888 (display test); r and software version number; 50H or 60H indication of the network frequency. Then the display switches to the hour meter mode.

When the UV-C lamp is switched on for the first time, or after the reset function is used, the value 9,000 will appear on the display. A decimal point flashes beside the rightmost digit on the display every second to indicate that the counter is running. The display is automatically set to the factory hour meter reading of 9,000 hours. Up to 9,000 hours the UV-C lamp produces its rated radiation level. After 9,000 hours the radiation diminishes. The radiation may then be insufficient to achieve the desired results. If the UV-C lamp has been in use for some time and has been switched on before, each time it is switched on the display will show the value it had before the UV-C lamp was switched off. If the count of the hour meter is increased or decreased, the reading it had before the display was switched off will be shown.

The hour meter settings can be changed if desired. This can be done as follows: After holding in the switch (R) located below the display for 5 seconds, the display shows 'rSt' indicating that the user menu has been selected. After releasing the switch (R) the counter and 'rSt' alternate on the display. Now each brief press of the button will step through the menu options. There are three setting options in the menu: 'rSt', 'up' and 'dn'.

- **'rSt'** means (reset): this resets the counter to the factory settings of 9,000 hours. This selection is confirmed by the counter and 'rSt' alternating on the display. If the switch **(R)** is held for 5 seconds, after which the hour meter reading 9,000 is displayed, and then released, the hour meter starts counting down from 9,000 hours. This option is used, for example, when a lamp is replaced or when the counter mode has been changed and it must be reset to the factory settings.
- **'up'** means (up): this allows you to increase the hour meter reading to the value you want. This selection is confirmed by the selected user setting 'up' and the hour meter reading alternating on the display. Now hold the switch **(R)** for 5 seconds. After 5 seconds the display will only show **'up'**. Then release the switch. By briefly pressing the switch the counter value can be increased from 9,000 in 500-hour increments to a maximum value of 9,999. The increased value alternates with 'up' on the display. Once the desired hour reading is selected, wait 10 seconds. After 10 seconds the selected hour meter reading appears on the display and the timer countdown begins. If an error has been made while increasing the hour meter reading, for example, the hour meter can be reset to 9,000 by holding the switch for 5 seconds. The hour meter reading is then reset to 9,000 and a new value can be set.
- **'dn'** means (down): this allows you to decrease the hour meter reading to the desired value. This selection is confirmed by the selected user setting 'dn' and the hour meter reading alternating on the display. Now hold the switch **(R)** for 5 seconds. After 5 seconds the display will only show **'dn'**. Then release the switch. By briefly pressing the switch the counter value can be decreased from 9,000 in 500-hour increments to a minimum value of 0000. The decreased value alternates with 'dn' on the display. Once the desired hour reading is selected, wait 10 seconds. After 10 seconds the selected hour meter reading appears on the display and the timer countdown begins. If an error has been made while decreasing the hour meter reading, for example, the hour meter can be reset to 9,000 by holding the switch for 5 seconds. The hour meter reading is then reset to 9,000 and a new value can be set.

The hour meter indicates that the lamp must be replaced as follows:

1. **From hour meter reading 0672** the display flashes each second. The lamp should be **replaced within 4 weeks**.
2. **From hour meter reading 0336** the display flashes each half second. The lamp should be **replaced within 2 weeks**.
3. **From hour meter reading 0168** the display flashes each second. The lamp should be **replaced within 1 week**.
4. **When the hour meter reading reaches 0000**, the numbers will flash quickly and the counter will no longer count down. **The lamp must be replaced.**

For the safety instructions and terms of guarantee we would like to refer to the general UV-C manual.



Wichtig bitte lesen sie vor dem installieren des geräts diese gebrauchsanweisung aufmerksam durch.



VORSICHT:

Lesen Sie aufmerksam diese Anweisungen, bevor Sie das Gerät installieren.



Achten Sie stets darauf, dass eine korrekte Erdung vorliegt. Bei grundsätzlichen Zweifeln in Bezug auf die elektrotechnische Installation sollten Sie sich immer an einen zugelassenen Elektrotechniker wenden. Eine fehlerhafte Erdung kann gefährlich sein und/oder zur Korrosion von Edelstahl- oder Aluminiumreaktoren führen.



Es ist nicht gestattet, eine Flüssigkeit durch den Reaktor zu leiten oder dem zu behandelnden Wasser Zusätze beizumischen, die sich durch Korrosion oder Zersetzung nachteilig auf die verwendeten Materialien auswirken könnten. Dadurch sollen gefährliche Situationen und Schäden am Reaktor und den umgebenden Installationen und/oder der Flora und Fauna verhindert werden.



Die strahlung dieser uv-lampe ist für augen und haut gefährlich.



Machen sie das gerät bei der wartung zunächst immer spannungsfrei! Gefahr eines Stromschlags. Nur an eine Erdungssteckdose anschließen, die durch einen FI-Schutzschalter abgesichert ist. Kein Verlängerungskabel benutzen.



Das Quarzglas und die UV-C-Lampe bleiben nach Ausschalten des Geräts für längere Zeit noch warm. Abkühlungszeit beträgt mindestens 15 Minuten.



Benutzen Sie Handschuhe, um das Quarzglas und die UV-C-Lampe vor Fingerabdrücken zu schützen. Fingerabdrücke können sich bei eingeschalteter Lampe in das Quarzglas und die UV-C-Lampe einbrennen und die Desinfektionsleistung reduzieren.



Die UV-C-Lampe darf keinesfalls eingeschaltet werden, wenn keine Strömung vorhanden ist.



Tragen Sie bei Installations- und Wartungsarbeiten stets Handschuhe.

ARBEITSWEISE

In diesem Reaktor wird durch die Hilfe einer UVC Lampe eine Strahlung mit einer Wellenlänge von 253,7 nm erzeugt. Diese Strahlung hat eine abtötende Wirkung auf Bakterien, Viren, Algen und Schimmel (u.a. Legionellen und Cryptosporidien). Die UVC Strahlung sorgt auf eine effiziente und umweltfreundliche Weise für sauberes, frisches und klares Wasser. Das Wasser wird mit Hilfe eine Pumpe durch das UVC Gerät geleitet. Die UVC Strahlung neutralisiert Bakterien, Viren und andere Mikro-Organismen und verhindert deren Vorpflanzung. Auch Schwebealgen werden durch diese Strahlung vernichtet, wodurch die Klarheit des Wassers stark verbessert wird. Die UVC Einheit ist mit einem elektronischen Trafo ausgestattet. Dieser Trafo sorgt für eine optimale Leistung der Lampe.

Dank dieses UVC Gerätes wird das Wasser auf eine effiziente und sichere Weise desinfiziert und eine ausgezeichnete Wasserqualität erreicht. Eine Überdosierung mit UVC ist nicht möglich.

INSTALLATION ERDUNG (ZEICHNUNG 1)

1. Setzen Sie die Öse (2) des Kabels über den am Gehäuse befestigten Erdungsbolzen (1).
2. Setzen Sie dann eine gezahnte Federscheibe (3) ein.
3. Zum Schluss setzen Sie die Mutter (4) auf den Erdungsbolzen.
4. Wenn die Teile in der richtigen Reihenfolge auf den Erdungsbolzen gesetzt wurden, kann dieser mit einer Stecknuss oder einem Ringschlüssel Nr. 8 festgezogen werden.

INSTALLATION GERÄT (ZEICHNUNG 2)

Bestimmen Sie den Wunschort um das Gerät zu montieren. Der beste Ort um ein UVC Gerät zu installieren, ist direkt nach der Filterung. Sehen Sie hierzu auch die schematische Zeichnung in der Gebrauchsanleitung. Sorgen Sie dafür, das immer genügend Durchfluss besteht, während das Leuchtmittel brennt. Installieren Sie das Gerät nicht in der prallen Sonne. Installieren Sie das Gerät immer in einem trockenen und gut belüfteten Raum. Das Gerät kann sowohl horizontal als auch vertikal montiert werden, solange der Wasserdurchfluss immer von unten nach oben geht (siehe Zeichnung in der Gebrauchsanweisung). Es muss am Lampenanschluss ausreichend Platz gelassen werden (ca. 30 cm) für evtl. Wartungsarbeiten. An der Seite des Lampeneinschubes sollte mind. 1 Meter Platz sein, um das Leuchtmittel (6) problemlos entnehmen oder ersetzen zu können.

ACHTUNG: Um Schäden zu vermeiden, sollten alle Verbindungen und Kupplungen Hand-Fest angezogen werden, also ohne Hilfsmittel wie Schraubenschlüssel, fest gedreht werden.

1. Drehen Sie die Mutter (N) vom Gehäuse (U) ab. Holen Sie das UV-C Leuchtmittel (K) aus der mitgelieferten Hülle (siehe Verpackung) und führen dieses Leuchtmittel vorsichtig in das Quarzglas (M). Stecken Sie das Leuchtmittel (K) mit den Kontaktpins in den Lampenfitting (L) und schrauben dann die Mutter (N) wieder auf das Gehäuse (U).
2. Montieren Sie die im Lieferungsgang enthaltenen Rohrklemmen (O). Platzieren Sie dann das Gerät in den Rohrklemmen. Drehen Sie die dreiteilige Kupplung (I) fest. Achten Sie unbedingt auf die korrekte Lage der Dichtungsringe (P) bei den Anschlüssen als auch beim Quarzglas (siehe Zeichnung 3)
3. Montieren Sie das Gerät durch Hilfe der dreiteiligen Kupplung (I). Die Klebeverbindungen der dreiteiligen Kupplung haben einen Durchmesser von 63 mm bzw. 2". Ein Schlauchstutzen Adapter kann auch verwendet werden. **ACHTUNG:** Lassen Sie die geklebten Teile 8 Stunden lang verdunsten.
4. Stecken Sie den Stromstecker der UVC Lampe in eine geerdete Steckdose mit die mit einem FI gesichert ist.
5. Eine Kontrolle ob das Leuchtmittel brennt, kann durch die transparenten Teile des Gehäuses erfolgen.
6. Das Gerät schaltet sich ab, sobald die Stromspannung vom Gerät getrennt wird.

* NUR FÜR 130 W AMALGAM

- Die Klebemuffe zur Verwendung des Flow-Switch (V) muss mit dem Gewinde (W) nach oben montiert werden, ausgerichtet auf die dreiteilige Kupplung (I) siehe Zeichnung 3. Die Klebemuffe (V) kann mit einer dreiteiligen Kupplung (I) verklebt werden. Montieren Sie den Flow-Switch (X) welcher am Trafo befestigt ist (S) genau oben auf dem Gewinde (U) der Klebemuffe (V) (siehe Zeichnung 3). Sollte der Flow-Switch anders herum montiert werden, wird das Gerät nicht funktionieren. Der Pfeil oben auf dem Flow-Switch (X) muss immer in Richtung des Wasserdurchflusses zeigen. Wenn dies entgegen des Durchflusses montiert wird, wird die Lampe aus bleiben.
- Wenn kein oder nicht genug Wasser durch die Einheit fließt, wird der Flow-Switch das Gerät automatisch ausschalten.

DEMONTAGE / WARTUNG

Bei Wartungs- oder Demontearbeiten nehmen Sie das Gerät immer vom Stromnetz. Das Gerät muss mindestens zwei mal jährlich gereinigt werden. Wenn das Algenwachstum oder die Kalkschicht in der Einheit zunimmt, muss das Quarzglas (M) gereinigt werden. Das spezielle Leuchtmittel soll nach Ende der empfohlenen Leuchtdauer gewechselt werden. Die Innenseite der Reaktorkammer kann mit Hilfe eine weichen Bürste gereinigt werden.

1. Lassen Sie das Wasser aus dem Gerät
2. Schrauben Sie die Mutter (N) los und entnehmen das Leuchtmittel (K) aus dem Fitting (L). Nehmen Sie die Lampe aus dem Quarzglas und ersetzen Sie diese (K) falls nötig. Achtung: Zerbrechliche Glasmaterialien.
3. Entfernen Sie vorsichtig das Quarzglas (M) – siehe Zeichnung 3. Niemals mit Gewalt! **ACHTUNG:** Tragen Sie immer Schutzhandschuhe und eine Schutzbrille.
4. Reinigen Sie das Quarzglas sorgfältig – wenn nötig entkalken Sie es. Kalk sieht man häufig nur auf getrocknetem Glas. Nutzen Sie ein weiches Tuch, um Kratzer zu vermeiden.
5. Tauschen Sie vorsichtig das Quarzglas (M) aus (siehe Zeichnungen 4 und 5). Zwingen Sie es niemals! Das Ende des Quarzglases vorsichtig in das Aufnahmeteil (Q) schieben.
6. Montieren Sie Quarzglas und Lampe wieder im Gehäuse. Platzieren Sie den O-Ring (T) wieder auf dem Quarzglas und verbinden das Leuchtmittel (K) im Lampenhalter (L). Drehen Sie die Mutter (N) wieder auf das Gehäuse.

Sollte das Gehäuse oder der Trafo ersetzt werden müssen, muss die Erdung zuerst vom Gehäuse gelöst werden. Bei der Montage eines neuen Gehäuses oder eines Trafos (elektrischen Teils) lesen Sie bitte zuerst das Hauptstück Installation und Demontage. Achten Sie darauf, dass alle Kleinteile der Erdung aufgehoben werden. Diese werden nicht mit einem Ersatzteil wie Gehäuse oder Trafo zusammen geliefert. Bei Zweifeln fragen Sie bitte einen anerkannten Installateur.

GERÄT MIT TIMERFUNKTION

Wenn das UVC-Gerät eingeschaltet wird, läuft zuerst ein Selbsttest. Das Display zeigt automatisch nacheinander die folgenden Daten: 8888 (Display test), R und Software Versionsnummer, 50H oder 60H der Netzfrequenz. Danach wird der Zählerstand angezeigt.

Wenn die UVC zum ersten Mal eingeschaltet wird, oder nach der Nutzung der „Reset“ Funktion, wird der Wert 9000 im Display angezeigt. Neben der rechten Zahl im Display leuchtet jede Sekunde ein Punkt, der erkennen lässt, dass der Zähler läuft. Das Display steht im Auslieferungszustand auf den bei Hersteller eingestellten Wert von 9.000 Stunden. Bis 9000 Stunden hat das Gerät ausreichend Strahlung. Nach diesen 9000 Stunden sinkt diese Strahlungsleistung. Die UVC Strahlung kann dann nicht mehr ausreichend sein, um zum gewünschten Ergebnis zu kommen.

Wenn dieses Leuchtmittel schon länger in Betrieb ist, oder zuvor schon einmal gebrannt hat, wird das Display den Wert wiedergeben, bevor es ausgeschaltet wurde. Sollte der Stundenzähler selbstständig erhöht oder verringert werden, dann wird das Display den Wert wiedergeben, bevor es ausgeschaltet wurde.

Die Einstellungen des Uhrenzählers können wenn gewünscht angepasst werden. Dies kann wie folgt gemacht werden: Nach dem 5 Sekunden drücken von Schalter (R) unter dem Display, wird „rSt“ angezeigt, somit ist das Nutzermenü geöffnet. Nach dem loslassen von Schalter (R) leuchtet der Zählerstand und „rSt“ abwechselnd auf dem Display. Durch kurzes eindrücken des Schalters wird durch die Schritte im Menü navigiert. Es gibt drei Einstellungsmöglichkeiten im Menü „rSt“, „up“ (hoch) und „dn“ (runter).

- **“rSt”** bedeutet Reset. Hierdurch geht der Zählerstand zurück in die Werkseinstellung von 9.000 Stunden. Diese Auswahl wird bestätigt durch das abwechselnde Blinken von „rSt“ und dem Zählerstand im Display. Wenn der Schalter (R) 5 Sekunden festgehalten wird, dann der Zählerstand 9.000 wiedergegeben wird, und dann losgelassen wird, beginnt der Stundenzähler zurück zu zählen von Wert 9.000 Stunden. Diese Auswahl wird benötigt wenn z.B. das Leuchtmittel ersetzt wurde, oder wenn der Zählerstand verändert wurde und zurück auf die Werkseinstellung gesetzt werden soll.
- **“up”** bedeutet “hoch”. Hiermit kann der Zählerstand erhöht werden auf einen durch Sie bestimmten Zählerstand. Diese Auswahl wird bestätigt durch die gewählte Nutzereinstellung „up“ und den Zählerstand im Display abwechselnd leuchten zu lassen. Dann halten Sie 5 Sekunden den Schalter (R). Auf dem Display bei nach 5 Sekunden nur noch „up“ auf dem Display stehen. Lassen Sie dann den Schalter los. Durch den Schalter kurz zu drücken kann der Zählerwert von 9.000 in Schritten a 500 Stunden erhöht werden, bis zu einem maximalen Wert von 9999. Der erhöhte Wert leuchtet abwechselnd mit „up“ auf dem Display. Wenn der gewünschte Zählerstand eingestellt ist warten Sie 10 Sekunden.
Nach dieser Zeit springt die gewählte Zeit auf das Display und das Zählen beginnt. Wenn Sie während des Erhöhens einen Fehler gemacht haben, dann kann der Zähler wieder nach 9.000 gesetzt werden, wenn Sie den Schalter 5 Sekunden eingedrückt halten. Die Zählerzeit wird dann Resetet und nach 9.000 zurück gestellt. Es kann dann die Einstellung neu vorgenommen werden.
- **“dn”** bedeuten “runter”. Hiermit kann der Zählerstand vermindert werden auf einen durch Sie bestimmten Zählerstand. Diese Auswahl wird bestätigt durch die gewählte Nutzereinstellung „dn“ und den Zählerstand im Display abwechselnd leuchten zu lassen. Dann halten Sie 5 Sekunden den Schalter (R). Auf dem Display steht nach 5 Sekunden nur noch „dn“ auf dem Display.. Lassen Sie dann den Schalter los. Durch kurzes drücken des Schalters kann der Zählerwert von 9.000 in Schritten a 500 Stunden vermindert werden, bis zu einem minimalen Wert von 0000. Der verringerte Wert leuchtet abwechselnd mit „dn“ auf dem Display. Wenn der gewünschte Zählerstand eingestellt ist warten Sie 10 Sekunden. Nach dieser Zeit springt die gewählte Zeit auf das Display und das Zählen beginnt. Wenn Sie während des verringern einen Fehler gemacht haben, dann kann der Zähler wieder nach 9.000 gesetzt werden, wenn Sie den Schalter 5 Sekunden eingedrückt halten.. Die Zählerzeit wird dann Resetet und auf 9.000 zurück gestellt. Es kann dann die Einstellung neu vorgenommen werden.

Der Stundenzähler gibt auf folgende Art an, dass das Leuchtmittel ersetzt werden muss:

1. **Ab Zählerstand 0672;** Display blinkt jede Sekunde. Die Lampe muss in **4 Wochen** ersetzt werden.
2. **Ab Zählerstand 0336;** Display blinkt jede halbe Sekunde. Die Lampe muss in **2 Wochen** ersetzt werden.
3. **Ab Zählerstand 0168;** Display blinkt jede Sekunde. Die Lampe muss in **1 Woche** ersetzt werden.
4. Bei einem Zählerstand von **0000** bleiben die Zahlen am blinken und der Zähler steht still. Die Lampe muss ersetzt werden.

Für die Sicherheitsbestimmungen und Garantiebedingungen verweisen wir auf unsere allgemeinen UVC Anleitung.



Important Avant d'installer cet appareil, lire attentivement ce mode d'emploi.



CAUTION:

Lire attentivement la notice avant d'installer cet appareil.



Assurez-vous toujours d'avoir une mise à la terre correcte. En cas de doute sur la mise à la terre de l'installation d'alimentation de l'appareil, consultez toujours un professionnel électricien agréé. Une mise à la terre défectueuse peut être dangereuse et / ou conduire à la corrosion des générateurs en acier inoxydable ou en aluminium.



Il est interdit de faire circuler un liquide dans le générateur UVc ou d'ajouter un additif dans l'eau à traiter, ce qui peut avoir un effet générateur de corrosion ou la dégradation des matériaux en contact. Ceci afin d'éviter des situations dangereuses ou des dommages sur le générateur UVc et aux installations environnantes et / ou à la faune et la flore.



Le rayonnement de la ou des lampes ultraviolet est dangereux pour les yeux et la peau.



Toujours débrancher l'alimentation générale de l'appareil avant toute intervention ou toute maintenance! Risque d'électrocution. Connectez uniquement à une prise de terre reliée à la terre protégée par un disjoncteur de fuite à la terre (GFCI). Ne pas rallonger le câble ni d'utiliser de rallonge électrique.



Le verre de quartz et la lampe UV-C resteront chauds pendant un certain temps après la mise hors tension de l'appareil. Respecter un temps de refroidissement d'au moins 15 minutes à l'air frais.



Portez des gants pour protéger la gaine quartz et la lampe UV-C contre les traces de doigts. Les traces d'empreintes digitales peuvent brûler sur le verre de quartz et la lampe UV-C lorsqu'elles sont allumées, ce qui réduit la désinfection.



La lampe UV-C ne doit jamais être allumée sans débit d'eau dans le générateur.



Portez des lunettes de sécurité lors de l'entretien et de l'installation.

FONCTIONNEMENT

Dans le réacteur, un rayonnement d'une longueur d'onde de 253,7 nm est généré au moyen d'une lampe UV-C. Ce rayonnement a une action létale sur les bactéries, les virus, les algues et les moisissures (entre autres Légionnelle et Cryptosporidium). L'unité UV-C est garante, de manière efficace et écologique, d'une eau propre, fraîche et limpide. L'eau est acheminée à travers l'appareil UV-C au moyen d'une pompe. Le rayonnement UV-C neutralise les bactéries, les virus et autres micro-organismes et met fin à leur prolifération. Les algues flottantes aussi sont éliminées par ce rayonnement, ce qui améliore fortement la limpidité de l'eau. L'unité UV-C est dotée d'un ballast électronique, qui garantit des performances optimales de la lampe.

L'unité UV-C permet de désinfecter l'eau de manière efficace et sûre et de maintenir une excellente qualité de l'eau. Un surdosage d'UV-C est impossible.

MONTAGE DE LA MISE À LA TERRE (FIGURE 1)

1. Placez l'œillet (2) du câble sur le boulon de mise à la terre (1) fixé au boîtier.
2. Insérez ensuite une rondelle élastique dentée (3).
3. Enfin, placez l'écrou (4) sur le boulon de mise à la terre.
4. Lorsque les pièces ont été placées dans le bon ordre sur le boulon de mise à la terre, celui-ci peut être serré à l'aide d'une douille ou d'une clé à anneau numéro 8.

INSTALLATION DE L'APPAREIL (FIGURE 2)

Déterminez la position souhaitée de l'appareil. L'emplacement idéal pour l'appareil UV-C est directement en aval de la filtration. Voyez le schéma dans le mode d'emploi. Veillez à ce que de l'eau circule toujours à travers l'unité lorsque la lampe est allumée. N'installez jamais l'appareil en plein soleil.

Installez toujours l'appareil dans un local sec et bien ventilé. L'appareil peut être monté horizontalement ou verticalement à condition que le flux d'eau circule du bas vers le haut (voyez le schéma au début du mode d'emploi) et qu'un espace de 30 cm reste disponible du côté opposé au raccord de lampe pour une maintenance éventuelle. Du côté du raccord de lampe, il faut laisser un espace d'au moins 1 m afin de pouvoir remplacer sans problème la lampe (K) sans devoir démonter l'ensemble de l'appareil.

ATTENTION : toutes les connexions et tous les raccords doivent être serrés à la main, donc sans outil. Ceci afin d'éviter tout dommage.

1. Détachez l'écrou (N) du corps (U). Sortez la lampe UV-C (K) de l'étui livré (voyez l'emballage) et glissez-la avec précaution dans le verre de quartz (M). Placez la lampe (K) avec les broches de contact dans le culot de lampe (L) et vissez ensuite l'écrou (N) sur le corps (U).
2. Posez les colliers (O) faisant partie de la livraison. Placez ensuite l'unité dans les colliers. Serrez le raccord trois pièces (I), en veillant au positionnement correct des bagues d'étanchéité (P) à l'endroit tant des raccords que du verre de quartz (voyez figure 3).
3. Monter l'unité au moyen du raccord trois pièces (I) dans le circuit. Les connexions collées du raccord trois pièces présentent un diamètre de 63 mm ou 2". Un adaptateur de queue de tuyau peut également être utilisé. **ATTENTION:** Laisser les parties collées s'évaporer pendant 8 heures.
4. Insérez la fiche de l'appareil UV-C dans une prise murale avec une mise à la terre et un interrupteur de défaut de terre.
5. Assurez-vous que la lampe est allumée par le biais des pièces transparentes de l'appareil.
6. L'appareil se désactive lorsque la tension vers celui-ci est coupée.

* UNIQUEMENT POUR 130 W AMALGAAM

- La gaine de colle pour le contacteur de débit (V) doit être positionnée avec le filetage (W) dirigé vers le haut sur le raccord trois pièces (I) (voir figure 3). La gaine de colle (V) peut être collée sur un raccord trois pièces (I). Montez le contacteur de débit (X) fixé sur la section électrique (S) à la verticale sur le filetage (U) de la gaine de colle (V) (voyez figure 3). Si le contacteur de débit est monté différemment, l'appareil ne fonctionne pas. La flèche au sommet du contacteur de débit (X) doit toujours indiquer la direction du flux de l'eau. Si elle est placée à contre-courant du flux de l'eau, l'appareil UV-C reste désactivé.
- Lorsqu'aucune eau ne circule dans l'appareil, le contacteur de débit désactive automatiquement l'appareil.

DÉMONTAGE/ENTRETIEN

Lors du démontage/de l'entretien de l'appareil, coupez toujours l'alimentation de courant.

L'appareil doit être nettoyé au moins 2 fois par an. Lorsque la croissance des algues et/ou l'entartrage dans l'unité augmente(nt), nettoyez le verre de quartz (M).

La lampe spéciale doit être remplacée après expiration des heures de service. La section interne du réacteur se nettoie au moyen d'une brosse douce.

1. Laissez l'eau s'écouler de l'appareil.
2. Desserrez l'écrou (N) et désolidarisez la lampe (K) du culot (L). Retirez la lampe du verre de quartz et, le cas échéant, remplacez-la (K). Procédez avec prudence car ces pièces sont particulièrement fragiles.
3. Déposez avec précaution le verre de quartz (M) (voyez figure 3). Ne forcez jamais ! **ATTENTION** : portez toujours des gants et des lunettes de protection.
4. Nettoyez le verre de quartz avec un produit approprié. Utilisez toujours un chiffon doux pour nettoyer le verre, évitez toute rayure.
5. Remplacez soigneusement le verre de quartz (M) (voir les schémas 4 et 5). Ne le force jamais! Et soigneusement mettre l'extrémité du verre de quartz dans l'entrée (Q).
6. Placez à nouveau la lampe avec précaution dans le verre de quartz, posez à nouveau le joint torique (T) sur le verre de quartz et posez la lampe (K) dans le culot (L). Vissez à nouveau l'écrou (N) sur le corps.

En cas de remplacement du corps ou de la section électrique, débranchez d'abord la mise à la terre du logement. Lors du montage d'un corps neuf ou de la section électrique, veuillez lire au préalable le chapitre Installation et Démontage. Conservez soigneusement les diverses pièces de la mise à la terre. Celles-ci ne sont pas livrées avec un corps neuf ou une section électrique neuve. En cas de doute concernant le branchement, consultez un installateur agréé.

UNITÉ AVEC FONCTION MINUTERIE

Lorsque l'appareil UV-C est activé, le programme procède à une auto-vérification. L'écran affiche automatiquement et successivement les indications suivantes : 8888 (test écran), r et numéro de version du logiciel, affichage de la fréquence du réseau 50H ou 60H. Ensuite, l'écran affiche le compteur.

Lorsque la lampe UV-C est activée pour la première fois ou après utilisation de la fonction "réinitialisation", la valeur 9.000 s'affiche sur l'écran. À proximité du chiffre à l'extrême droite de l'écran, un point clignote chaque seconde pour indiquer que le compteur est en service. L'écran affiche automatiquement la valeur de compteur 9.000 heures réglée en usine. Jusqu'à 9.000 heures, la lampe UV-C génère un rayonnement actif.

Après 9.000 heures, le rayonnement décroît. Il peut alors être insuffisant pour obtenir les résultats souhaités. Si la lampe UV-C est utilisée depuis un certain temps et qu'elle a déjà été activée au préalable, l'affichage indique, après l'activation, la valeur qu'elle présentait avant sa désactivation. Si vous avez vous-même augmenté ou diminué le statut du compteur horaire, le dernier statut du compteur avant sa désactivation est affiché.

Le cas échéant, les réglages du compteur horaire peuvent être modifiés. Pour ce faire, procédez comme suit : Après avoir maintenu enfoncé durant 5 secondes l'interrupteur (R) sous l'écran, ce dernier affiche "rSt" pour indiquer que le menu utilisateur a été sélectionné. Après avoir relâché l'interrupteur (R), la valeur du compteur et "rSt" clignotent successivement sur l'écran. En appuyant ensuite brièvement sur l'interrupteur, il est possible de naviguer parmi les paramètres du menu. Il existe 3 possibilités de paramétrage : "rSt" "UP" et "dn".

- "rSt" signifie (réinitialisation) : il fait en sorte que le statut du compteur repasse aux réglages d'usine de 9.000 heures. Cette sélection est confirmée par le clignotement successif de la valeur du compteur et de "rSt" sur l'écran. Si l'interrupteur (R) est maintenu enfoncé durant 5 secondes, ce qui entraîne l'affichage de la valeur 9.000, et est ensuite relâché, le compteur horaire commence le compte à rebours à partir de la valeur 9.000 heures. Cette sélection est utilisée par exemple après le remplacement de la lampe ou après modification de la valeur du compteur et retour à la valeur d'usine.
- "up" signifie (vers le haut) : il permet d'augmenter la valeur du compteur à celle souhaitée. Cette sélection est confirmée par le clignotement successif sur l'écran du paramètre utilisateur sélectionné "up" et de la valeur horaire. Ensuite, tenez l'interrupteur (R) enfoncé durant 5 secondes. Après 5 secondes, l'écran n'affiche plus que "up". Relâchez ensuite l'interrupteur. En enfonçant brièvement l'interrupteur, la valeur du compteur peut être augmentée par paliers de 500 heures à partir de 9.000 [4.500 ou 16.000] jusqu'à une valeur maximale de 9.999. Sur l'écran, la valeur augmentée et "up" clignotent successivement. Lorsque la valeur voulue est sélectionnée, attendez 10 secondes. Après 10 secondes, la valeur sélectionnée s'affiche sur l'écran et le compte à rebours commence. Si, durant l'augmentation de la valeur horaire par exemple, une erreur est commise, il est possible de remettre la valeur du compteur horaire sur 9.000 en maintenant l'interrupteur enfoncé durant 5 secondes. La valeur horaire repasse alors à 9.000 et une nouvelle valeur peut être réglée.

- **“dn”** signifie (vers le bas) : il permet d'abaisser la valeur du compteur à celle souhaitée. Cette sélection est confirmée par le clignotement successif sur l'écran du paramètre utilisateur sélectionné **“dn”** et de la valeur horaire. Ensuite, tenez l'interrupteur **(R)** enfoncé durant 5 secondes. Après 5 secondes, l'écran n'affiche plus que **“dn”**. Relâchez ensuite l'interrupteur. En enfonçant brièvement l'interrupteur, la valeur du compteur peut être abaissée par paliers de 500 heures à partir de 9.000 jusqu'à une valeur minimale de 0000. Sur l'écran, la valeur abaissée et **“dn”** clignotent successivement. Lorsque la valeur voulue est sélectionnée, attendez 10 secondes. Après 10 secondes, la valeur sélectionnée s'affiche sur l'écran et le compte à rebours commence. Si, durant l'abaissement de la valeur horaire par exemple, une erreur est commise, il est possible de remettre la valeur du compteur horaire sur 9.000 en maintenant l'interrupteur enfoncé durant 5 secondes. La valeur horaire repasse alors à 9.000 et une nouvelle valeur peut être réglée.

Le compteur horaire indique comme suit que le remplacement de la lampe s'impose :

1. **Dès la valeur horaire 0672**, l'écran clignote chaque seconde. La lampe doit être remplacée dans **4 semaines**.
2. **Dès la valeur horaire 0336**, l'écran clignote chaque demi-seconde. La lampe doit être remplacée dans les **2 semaines**.
3. **Dès la valeur horaire 0168**, l'écran clignote chaque seconde. La lampe doit être remplacée dans la semaine.
4. **À la valeur horaire 0000**, les chiffres clignotent rapidement et le compte à rebours est terminé. **La lampe doit être remplacée.**

Pour les instructions de sécurité et les conditions de garantie,
veuillez consulter le manuel général UV-C.



Belangrijk Lees voor het installeren van dit apparaat eerst zorgvuldig deze gebruiksaanwijzing.



LET OP:

Leest u voor het installeren van dit apparaat eerst zorgvuldig deze gebruiksaanwijzing.



Zorg altijd voor een correcte aarding. Bij twijfel over de aarding of de elektrotechnische installatie in het algemeen, altijd een erkend elektrotechnisch monteur raadplegen. Ondeugdelijke aarding kan gevaarlijk zijn, en/of leiden tot corrosie van RVS of aluminium reactoren.



Het is niet toegestaan om een vloeistof door de reactor te laten stromen, of toevoegingen aan het te behandelen water te doen, welke een negatief effect kunnen hebben op corrosie of degradatie van de gebruikte materialen. Dit, om gevaarlijke situaties en schade aan de reactor en omliggende installaties en/of flora en fauna te voorkomen.



Straling van deze ultraviolet lamp is gevaarlijk voor ogen en huid.



Bij onderhoud het apparaat altijd eerst spanningsvrij maken! Risico op elektrische schokken. Sluit alleen aan op een geaard type contactdoos beschermd door een aardlekschakelaar (ALS). Gebruik geen verlengsnoer.



Het kwartsglas en de UV-C lamp blijven nog geruime tijd warm nadat het apparaat is uitgeschakeld. Afkoeltijd minimaal 15 minuten.



Draag handschoenen om de kwartsglas en de UV-C lamp te beschermen tegen vingerafdrukken. Vingerafdrukken kunnen inbranden in het kwartsglas en de UV-C lamp tijdens de werking, waardoor de desinfectie minder wordt aangetast.



De UV-C lamp mag nooit branden wanneer er geen flow is.



Draag een veiligheidsbril tijdens onderhoud en installatie.

WERKING

In de reactor wordt door middel van een UV-C lamp een straling opgewekt met een golflengte van 253,7 nm. Deze straling heeft een dodende werking op bacteriën, virussen, algen en schimmels (o.a. Legionella en Cryptosporidium). De UV-C unit zorgt op efficiënte en milieuvriendelijke wijze voor schoon, fris en helder water. Het water wordt door middel van een pomp door het UV-C apparaat gevoerd. De UV-C straling neutraliseert bacteriën, virussen en andere micro-organismen en stopt de voortplanting ervan. Ook zweefalg wordt door deze straling vernietigd, waardoor de helderheid van het water sterk wordt verbeterd. De UV-C unit is voorzien van een elektronische ballast. Deze ballast zorgt voor optimale prestaties van de lamp.

Dankzij de UV-C unit zal het water op een efficiënte en veilige wijze worden gedesinfecteerd en wordt een uitstekende waterkwaliteit behouden. Overdosering met UV-C is niet mogelijk.

INSTALLATIE AARDING (TEKENING 1)

1. Plaats het oog (2) van de kabel over de aardingsbout (1) die op de behuizing is bevestigd.
2. Plaats vervolgens een tandveerring (3).
3. Plaats als laatste de moer (4) op de aardingsbout.
4. Als de onderdelen op de juiste volgorde op de aardingsbout zijn geplaatst kan dit met een steek-, of ringsleutel nummer 8, vastgedraaid worden.

INSTALLATIE APPARAAT (TEKENING 3)

Bepaal de gewenste plaats om het apparaat te monteren. De beste plaats om het UV-C apparaat te installeren is direct na filtering. Zie de schematische weergave in de gebruiksaanwijzing. Zorg ervoor dat er altijd water door de unit stroomt als de lamp brandt. Installeer het apparaat nooit in de volle zon.

Installeer het apparaat altijd in een droge en goed geventileerde ruimte. Het apparaat kan zowel horizontaal als verticaal geïnstalleerd worden mits de waterstroom van onder naar boven gaat (zie schematische weergave voor in de gebruiksaanwijzing), waarbij aan de kant tegenover de lampaansluiting een ruimte van 30 cm beschikbaar moet blijven voor eventueel onderhoud. Aan de kant van de lampaansluiting moet minimaal 1 meter ruimte zijn om de lamp (K) probleemloos te kunnen vervangen zonder het hele apparaat te hoeven losmaken.

LET OP: alle verbindingen en koppelingen dienen handvast, dus zonder gereedschap worden vastgedraaid. Dit om schade te voorkomen.

1. Draai de moer (N) los van de behuizing (U). Haal de UV-C lamp (K) uit de bijgeleverde koker (zie verpakking) en schuif de lamp voorzichtig in het kwartsglas (M). Plaats de lamp (K) met de contactpennen in de lampfitting (L) en schroef daarna de moer (N) op de behuizing (U).
2. Monteer de meegeleverde buisklemmen (O). Plaats vervolgens de unit in de buisklemmen. Draai de driedelige koppeling (I) vast, let daarbij op de juiste positie van de afdichtingsringen (P) zowel bij de aansluitingen als bij het kwartsglas (zie tekening 3).
3. Monteer de unit door middel van de driedelige koppeling (I) in het circuit. De lijmverbindingen van de driedelige koppeling zijn \varnothing 63 mm of 2". Ook kan er een slang tule gebruikt worden. LET OP: Laat de verlijmdede delen 8 uur verdampen.
4. Plaats de stekker van het UV-C apparaat in een wandcontactdoos met randaarde en aardlekschakelaar.
5. Controleer of de lamp brandt door middel van de transparante delen van het apparaat.
6. Het apparaat wordt uitgeschakeld wanneer de spanning van het apparaat wordt gehaald.

* ALLEEN VOOR 130 W AMALGAAM

- De lijmsok ten behoeve van de flow switch (V) dient gepositioneerd te worden met de schroefdraad (W) naar boven gericht op de driedelige koppeling (I) (zie tekening 3). De lijmsok (V) kan aan een driedelige koppeling (I) worden verlijmd. Monteer de flow switch (X) welke bevestigd is aan het elektrisch gedeelte (S) recht bovenop de schroefdraad (U) van de lijmsok (V) (zie tekening 2). Wanneer de flow switch anders wordt gemonteerd functioneert het apparaat niet. Het pijltje bovenop de flow switch (X) dient altijd richting de stroomrichting van het water te staan. Wanneer deze tegen de stroomrichting van het water in staat zal het UV-C apparaat uitgeschakeld blijven.
- Wanneer er geen water door het apparaat stroomt, schakelt de flow switch het apparaat automatisch uit.

DEMONTAGE/ONDERHOUD

Schakel bij onderhoud/demontage van het apparaat altijd de stroomtoevoer uit. Het apparaat dient minimaal 2 maal per jaar gereinigd te worden. Wanneer de algengroei en/of kalkaanslag in de unit toeneemt, moet het kwartsglas (M) schoongemaakt worden. De speciale lamp dient na het verstrijken van de branduren vervangen te worden. De binnenzijde van de reactor kan met een zachte borstel worden schoongemaakt.

1. Laat het water uit het apparaat stromen.
2. Schroef de moer (N) los en neem de lamp (K) uit de fitting (L). Neem de lamp uit het kwartsglas en vervang indien nodig de lamp (K). Voorzichtigheid is geboden daar het om zeer kwetsbare onderdelen gaat.
3. Verwijder voorzichtig het kwartsglas (M) (zie tekening 3). Nooit forceren! **LET OP:** draag altijd beschermende handschoenen en een bril.
4. Maak het kwartsglas schoon met een daarvoor geschikt middel. Gebruik altijd een zachte doek om het glas schoon te maken, voorkom krassen.
5. Plaats voorzichtig het kwartsglas (M) (zie tekening 4 en 5) terug. Nooit forceren! En schuif het uiteinde voorzichtig in het opvang stuk (Q).
6. Plaats de lamp voorzichtig terug in het kwartsglas, plaats de o-ring (T) terug op het kwartsglas en koppel de lamp (K) aan de lamphouder (L). Draai de moer (N) terug op de behuizing.

Indien de behuizing of het elektrische gedeelte vervangen moet worden, dient de aarding eerst van de behuizing los gemaakt te worden. Bij het monteren van een nieuwe behuizing of elektrisch gedeelte, gelieve eerst het hoofdstuk Installatie en Demontage te lezen. Let erop dat de diverse losse onderdelen van de aarding goed bewaard worden. Deze worden niet met een nieuwe behuizing of elektrisch gedeelte meegeleverd. Raadpleeg bij eventuele twijfel over de aansluiting een erkende installateur.

TIMER FUNCTIE BEDIENING

Als het UV-C apparaat wordt ingeschakeld gaat het programma zichzelf controleren. Het display geeft de volgende indicaties automatisch na elkaar: 8888 (display test) ; r en software versie nummer ; 50H of 60H indicatie van de netfrequentie. Daarna springt het display op de tellerstand.

Als de UV-C lamp voor het eerst is ingeschakeld of nadat de "reset" functie is gebruikt, zal de waarde 9.000 in het display verschijnen. Bij het meest rechtse cijfer op het display knippert elke seconde een punt wat aangeeft dat de teller loopt. Het display staat automatisch op de door de fabriek ingestelde tellerstand van 9.000 uur. Tot 9.000 uur heeft de UV-C lamp zijn werkende straling. Na 9.000 uur zwakt de straling af. De straling kan dan onvoldoende zijn om tot de gewenste resultaten te komen.

Indien de UV-C lamp al langer in gebruik is en deze al eens eerder ingeschakeld is geweest, zal het display na het inschakelen de waarde weergeven die de hij had voordat de UV-C lamp werd uitgeschakeld. Indien de stand van de urenteller zelf wordt verhoogd of verlaagd dan wordt de laatste tellerstand weergegeven die het display had voordat hij werd uitgeschakeld.

De instellingen van de urenteller kunnen indien gewenst worden gewijzigd. Dit kan als volgt gedaan worden: Na het 5 seconden ingedrukt houden van de schakelaar **(R)** onder het display geeft het display **"rSt"** aan ter indicatie dat het gebruikersmenu geselecteerd is. Na het loslaten van de schakelaar **(R)** knipperen de tellerstand en **"rSt"** afwisselend op het display. Door hierna de schakelaar kort in te drukken wordt door de mogelijkheden van het menu gestapt.

Er zijn 3 instelmogelijkheden in het menu **"rSt"**, **"up"** en **"dn"**. **"rSt"** betekent (reset): hiermee gaat de tellerstand terug naar de fabrieksinstellingen van 9.000 uur. Deze selectie wordt bevestigd doordat de tellerstand en **"rSt"** in het display afwisselend knipperen. Als de schakelaar **(R)** 5 seconden wordt ingehouden, waarna de tellerstand 9.000 wordt weergegeven, en vervolgens wordt losgelaten, begint de urenteller terug te tellen vanaf de waarde 9.000 uur. Deze keuze wordt gebruikt wanneer er bijvoorbeeld een lamp vervangen is of wanneer de tellerstand is gewijzigd en deze weer terug naar de fabrieksinstellingen moet worden gezet.

- **"up"** betekent (up): hiermee kan de tellerstand verhoogd worden naar de door u gewenste urenstand. Deze selectie wordt bevestigd doordat de gekozen gebruikersinstelling **"up"** en de tellerstand in het display afwisselend knipperen. Houd daarna de schakelaar **(R)** 5 seconden in. Op het display blijft na 5 seconden alleen nog **"up"** in beeld staan. Laat de schakelaar vervolgens los. Door de schakelaar kort in te drukken kan de tellerwaarde vanaf 9.000 in stappen van 500 uur verhoogd worden tot een maximale waarde van 9.999. De verhoogde waarde knippert afwisselend met **"up"** op het display. Indien de gewenste urenstand is geselecteerd wacht u 10 seconden. Na 10 seconden springt de geselecteerde urenstand in beeld en het terugtellen van de timer is gestart. Indien er tijdens het verhogen van de tellerstand bijvoorbeeld een vergissing is gemaakt dan kan de teller weer terug gezet worden naar 9.000 door de schakelaar 5 seconden in te houden. De tellerwaarde wordt dan gereset naar 9.000 en er kan een nieuwe waarde worden ingesteld.
- **"dn"** betekent (down): hiermee kan de tellerstand verlaagd worden naar de gewenste urenstand. Deze selectie wordt bevestigd doordat de gekozen gebruikersinstelling **"dn"** en de tellerstand in het display afwisselend knipperen. Daarna dient de schakelaar **(R)** 5 seconden ingehouden te worden. Op het display blijft na 5 seconden alleen nog **"dn"** in beeld staan. Laat vervolgens de schakelaar los. Door de schakelaar kort in te drukken kan de tellerwaarde vanaf 9.000 in stappen van 500 uur verlaagd worden tot een minimale waarde van 0000. De verlaagde waarde knippert afwisselend met **"dn"** op het display. Indien de gewenste urenstand is geselecteerd wacht u 10 seconden. Na 10 seconden springt de geselecteerde tellerwaarde in beeld en het terugtellen van de timer is gestart. Indien er tijdens het verlagen van de tellerstand bijvoorbeeld een vergissing is gemaakt dan kan de teller weer terug worden gezet naar 9.000 door de schakelaar 5 seconden in te houden. De tellerwaarde wordt dan gereset naar 9.000 en er kan een nieuwe waarde worden ingesteld.

De urenteller geeft op de volgende manier aan dat de lamp vervangen moet worden:

1. **Vanaf urenstand 0672**; display knippert om de seconde. De lamp dient over **4 weken vervangen** te worden.
2. **Vanaf urenstand 0336**; display knippert om de halve seconde. De lamp dient binnen **2 weken vervangen** te worden.
3. **Vanaf urenstand 0168**; display knippert om de seconde. De lamp dient binnen **1 week vervangen** te worden.
4. **Bij een urenstand van 0000** blijven de cijfers snel knipperen en zal de teller niet meer verder terugtellen. De lamp dient **vervangen** te worden.

Voor de veiligheidsinstructies en garantievoorwaarden verwijzen we u naar de algemene UV-C handleiding.



Importante Antes de proceder a la instalación de este aparato, le rogamos lea detenidamente estas instrucciones de uso.



ATENCIÓN:

Lea atentamente estas instrucciones antes de instalar el dispositivo.



Asegúrese siempre de tener la conexión de toma a tierra correcta. En caso de cualquier duda sobre la instalación electrotécnica en general, consulte siempre a un mecánico electrotécnico autorizado. Si la conexión de toma a tierra está defectuosa puede resultar peligrosa y/o llevar a la corrosión de los reactores de aluminio o de acero inoxidable.



No está permitido derramar líquidos a través del reactor o agregar añadidos al agua que tiene que ser tratada. Esto puede causar un efecto negativo, resultante en corrosión o degradación de los materiales que se están usando. Siga estas indicaciones para evitar situaciones peligrosas o que se dañe el reactor y las instalaciones a su alrededor y/o la flora y la fauna.



La radiación de esta lámpara ultravioleta es peligrosa para los ojos y la piel.



¡Liberar siempre primero el dispositivo de tensión durante el proceso de mantenimiento! Riesgo de descarga eléctrica. Conectar sólo a un receptáculo de tipo toma a tierra protegido por un interruptor de circuito con descarga a tierra (GFCI). No usar un cable de extensión eléctrica.



El vidrio de cuarzo y la lámpara UV-C mantendrán su calor durante bastante tiempo después de que el dispositivo se haya apagado. Tiene un tiempo de enfriamiento mínimo de 15 minutos.



Use guantes para proteger el vidrio de cuarzo y la lámpara UV-C de huellas. Las huellas pueden quemarse sobre el cristal de cuarzo y la lámpara UV-C mientras esté encendida, provocando una reducción en la desinfección.



La lámpara UV-C nunca se debe encender si no hay flujo.



Use gafas de seguridad durante la instalación y el mantenimiento.

FUNCIONAMIENTO

Las lámparas UV-C producen dentro del reactor una radiación de longitud de onda de 253,7 nm. Este tipo de radiación mata bacterias, virus, algas y hongos (por ejemplo, la Legionella y el Cryptosporidium). Los dispositivos UV-C producen agua limpia, fresca y transparente de forma eficiente respetando el medio ambiente. El agua se alimenta a través del dispositivo UV-C por una bomba. Las radiaciones UV-C neutralizan las bacterias, los virus y otros microorganismos y también evitan su reproducción. Asimismo, estas radiaciones destruyen las algas flotantes y consiguen que el agua sea más clara. Los dispositivos UV-C están equipados con un balasto electrónico que hace que el rendimiento de las lámparas sea siempre el óptimo.

Gracias a los dispositivos UV-C, el agua se desinfecta de manera eficaz y segura y hacen que su calidad sea excelente. Es imposible padecer una sobredosis de UV-C.

INSTALACIÓN DE LA TOMA DE TIERRA (ILUSTRACIÓN 1)

1. Coloque la argolla (2) del cable sobre el perno de puesta a tierra (1) fijado a la carcasa.
2. A continuación, inserte una arandela elástica dentada (3).
3. Por último, coloque la tuerca (4) en el perno de puesta a tierra.
4. Una vez colocadas las piezas en el perno de puesta a tierra en el orden correcto, puede apretarlo con una llave de vaso o de estrella número 8.

INSTALACIÓN DEL DISPOSITIVO (ILUSTRACIÓN 3)

Decida dónde desea montar el dispositivo. El mejor lugar para instalarlo es directamente después del filtro o filtros. Consulte la ilustración esquemática de las instrucciones de uso. Asegúrese de que siempre haya agua fluyendo por el dispositivo cuando la lámpara está encendida. Nunca instale el dispositivo bajo luz solar directa. Instálelo en una zona seca y bien ventilada. El dispositivo puede instalarse horizontal o verticalmente, siempre que el flujo del agua sea de abajo a arriba (vea la ilustración esquemática del principio de las instrucciones de uso), con 30 cm de espacio libre en el lado opuesto a la conexión de la lámpara para su futuro mantenimiento. Para evitar tener que desconectar el dispositivo entero cuando la lámpara se tenga que sustituir, deje al menos un metro de espacio libre en el lateral de la conexión (K).

PRECAUCIÓN: Todas las conexiones y acoplamientos deben ser ajustados a mano. No los ajuste con herramientas. De lo contrario, se podrían dañar.

1. Desenrosque la tuerca (N) del armazón (U). Retire la lámpara UV-C (K) del tubo suministrado (vea el embalaje) y deslice cuidadosamente la lámpara dentro del tubo de cuarzo (M). Coloque la lámpara (K) con las clavijas de contacto en el portalámparas (L) y después apriete la tuerca (N) en el armazón (U).
2. Monte las abrazaderas de tubo (O). A continuación, introduzca la unidad en las abrazaderas de tubo. Apriete firmemente el acoplamiento de tres piezas (I) y asegúrese al mismo tiempo que la posición de los anillos sellados (P) es la correcta, tanto en las conexiones como en el tubo de cuarzo (ver figura 3).
3. Monte la unidad en el circuito mediante el acoplamiento de tres piezas (I). Os acoples de las tres piezas son de Ø63 mm. Un adaptador de manguera de cola también se puede utilizar. **ATENCIÓN:** Deje que las partes pegadas se evaporen durante 8 horas.
4. Inserte el enchufe del dispositivo UV-C en una toma de corriente de tierra que esté protegida por un dispositivo de corriente residual.
5. Mire a través de las partes transparentes del dispositivo para asegurarse de que la lámpara está encendida.
6. El dispositivo se apaga cuando se desconecta del suministro de energía.

* SOLO PARA LA 130 W AMALGAMA

- El acople para el interruptor de flujo (V) debe colocarse en el acoplamiento de tres piezas (I) con la rosca (W) mirando hacia arriba (vea ilustración 3). El acople (V) se puede enganchar al acoplamiento de tres piezas (I). Monte el interruptor de flujo de agua (X) que está unido a la sección eléctrica (S) directamente con la rosca (U) del acople (V) (ver ilustración 3). Si el interruptor de flujo de agua se monta de forma diferente, el dispositivo no funcionará. La flecha en la parte superior del interruptor de flujo de agua (X) debe apuntar siempre en la dirección del flujo del agua. Si apunta en dirección opuesta al flujo del agua, el dispositivo UV-C permanecerá apagado.
- Cuando el agua no fluye por el dispositivo, el interruptor de flujo de agua desconecta automáticamente la unidad.

DESMONTAJE/MANTENIMIENTO

Desconecte siempre la fuente de alimentación durante el mantenimiento/desmontaje del dispositivo. El dispositivo debe limpiarse por lo menos dos veces al año. Limpie el tubo de cuarzo (M) cuando haya una cantidad significativa de algas y/o mucha acumulación de cal en la unidad. Sustituya la lámpara especial cuando haya transcurrido su número de horas en funcionamiento. Puede limpiar el interior del reactor con un cepillo suave.

1. Deje que el agua salga del dispositivo.
2. Desenrosque la tuerca (N) y retire la lámpara (K) del portalámparas (L). Retire la lámpara del tubo de cuarzo y reemplace la lámpara especial si es necesario. Se aconseja hacerlo con precaución ya que son piezas muy delicadas.
3. Retire cuidadosamente el tubo de cuarzo (M) (ver ilustración 3). ¡Nunca con fuerza! **PRECAUCIÓN:** Siempre use guantes y gafas protectoras.
4. Limpie el tubo de cuarzo con un limpiador apropiado. Para limpiarlo, utilice siempre un paño suave que evite arañazos.
5. Cuidadosamente reemplace el vidrio de cuarzo (M) (vea los dibujos 4 y 5). ¡Nunca lo fuerce! Y cuidadosamente ponga el extremo del vidrio de cuarzo en la entrada (Q).
6. Coloque con cuidado la lámpara en el tubo de cuarzo. Vuelva a colocar la junta tórica (T) en el tubo de cuarzo y conecte la lámpara (K) en el portalámparas (L). Enrosque la tuerca (N) en el armazón.

Si debe reemplazar el armazón o la sección eléctrica, desconecte primero la toma de tierra de la carcasa. Por favor lea la sección "Instalación y desmontaje" antes de instalar una nueva carcasa o sección eléctrica. Asegúrese de guardar las distintas partes por separado para la conexión a tierra. Éstas no se incluyen en carcasas o secciones eléctricas nuevas. En caso de tener dudas acerca de su instalación, consulte a un instalador cualificado.

UNIDAD CON FUNCIÓN DE TEMPORIZADOR

Cuando el dispositivo UV-C está encendido, el programa realiza una prueba de autodiagnóstico. La pantalla muestra automáticamente las siguientes indicaciones (por este orden): 8888 (prueba de visualización); r y el número de versión de software; indicación de la frecuencia de red de 50 Hz o 60 Hz. A continuación, la pantalla cambia al modo de contador de horas.

Cuando la lámpara UV-C se enciende por primera vez o después de reiniciarla, aparece en pantalla el valor 9.000. Al lado del dígito que queda más a la derecha parpadea un punto decimal cada segundo que indica que el contador está funcionando. La pantalla se ajusta automáticamente a la lectura del contador digital de horas fijada en fábrica de 9.000 horas. Después de 9.000 horas la radiación disminuye. La radiación puede ser entonces insuficiente para conseguir los resultados deseados. Si la lámpara UV-C ha sido usada durante algún tiempo y se ha encendido antes, cada vez que se encienda se mostrará en pantalla el valor que tenía antes de apagarse. Si el contador de horas aumenta o disminuye, se mostrará la lectura que tenía antes de apagarse.

Si lo desea, puede cambiar los ajustes del contador de horas. Esto se puede hacer de la siguiente manera: después de mantener presionado el interruptor (R) situado debajo de la pantalla durante 5 segundos, la pantalla mostrará "rSt" para indicar que el menú de usuario ha sido seleccionado. Al dejar de presionar el interruptor (R), el contador y el "rSt" se alternarán en la pantalla. A partir de ahora, cada vez que presione brevemente el botón, aparecerán las opciones del menú en pantalla. Hay tres opciones de configuración en el menú: "rSt", "up" y "dn".

- "rSt" significa "reinicio" (reset): Esta opción reinicia el contador digital de 9.000 horas fijado en fábrica. La selección se confirma cuando el contador y el "rSt" se alternan en pantalla. Si el interruptor (R) se presiona durante 5 segundos, aparecerá la lectura del medidor a 9.000 horas en la pantalla, después deje de presionar, y el contador empezará a contar desde 9.000 horas. Esta opción se utiliza, por ejemplo, cuando se sustituye la lámpara o cuando se cambia el modo del contador y se debe restablecer a los ajustes de fábrica.
- "up" significa "arriba": Esta opción permite aumentar la lectura del contador de horas al valor deseado. Cuando seleccione la opción "up", la lectura del contador de horas parpadeará en pantalla. Ahora mantenga pulsado el interruptor (R) durante 5 segundos. Pasados los 5 segundos, solo aparecerá "up" en pantalla. Deje de pulsar el interruptor. Para aumentar el valor del contador de 9.000 horas en segmentos de 500 horas hasta un valor máximo de 9.999, presione brevemente el interruptor. En la pantalla verá que se alterna el valor aumentado y el "up". Una vez seleccionada la lectura de la hora deseada, espere 10 segundos. Transcurridos los 10 segundos, la lectura del medidor de horas seleccionada aparecerá en pantalla y comenzará la cuenta atrás del temporizador. En caso de haber cometido un error al aumentar la lectura del contador de horas, esta se puede restablecer de nuevo a 9.000 horas manteniendo pulsado el interruptor durante 5 segundos. Una vez se haya reestablecido el contador a 9.000 ya se puede introducir el nuevo valor deseado.
- "dn" significa "abajo" (down): Esta opción permite disminuir la lectura del contador de horas al valor deseado. Cuando seleccione la opción "dn", la lectura del contador de horas parpadeará en pantalla. Mantenga pulsado el interruptor (R) durante 5 segundos. Pasados los 5 segundos, aparecerá en la pantalla "dn". Deje de pulsar el interruptor. Presione ligeramente el interruptor para disminuir el valor del contador de 9.000 horas en segmentos de 500 horas hasta el valor mínimo de 0.000. En la pantalla verá que se alterna el valor disminuido y el "dn". Una vez seleccionada la lectura de la hora deseada, espere 10 segundos. Transcurridos los 10 segundos, la lectura del medidor de horas seleccionada aparecerá en pantalla y comenzará la cuenta atrás del temporizador. En caso de haber cometido un error al disminuir la lectura del contador de horas, esta se puede restablecer a 9.000 horas manteniendo pulsado el interruptor durante 5 segundos. Una vez se haya reestablecido el contador a 9.000 ya se puede introducir el nuevo valor deseado.

El contador de horas indica que la lámpara debe ser reemplazada de la siguiente manera:

1. **Cuando la lectura del contador llega a 0672**, la pantalla parpadea cada segundo.
La lámpara debe ser sustituida **dentro de 4 semanas**.
2. **Cuando la lectura del contador llega a 0336**, la pantalla parpadea cada medio segundo.
La lámpara debe ser sustituida **dentro de 2 semanas**.
3. **Cuando la lectura del contador llega a 0168**, la pantalla parpadea cada segundo.
La lámpara debe ser sustituida **dentro de una semana**.
4. **Cuando la lectura del contador llega a 0000**, la pantalla parpadea rápidamente y el contador deja de contar.
La lámpara debe ser sustituida.

Las instrucciones de seguridad y las condiciones de garantía pueden consultarse en el manual general de la unidad UV-C.



Importante leia atentamente estas instruções antes de instalar o aparelho.



CUIDADO:

Lea atentamente estas instrucciones antes de instalar el dispositivo.



Certifique-se de que a ligação à terra foi adequadamente executada. Em caso de dúvida quanto à ligação à terra ou à instalação eletrotécnica em geral, consulte sempre um electricista profissional. Uma ligação à terra inadequada pode ser perigosa e/ou causar corrosão nos reatores em aço inoxidável ou em alumínio.



É proibido deixar escorrer um líquido pelo reator ou adicionar aditivos à água a ser tratada que possam aumentar a corrosão ou a degradação dos materiais utilizados. Isto para evitar situações perigosas e danos ao reator e às instalações circundantes e/ou a plantas e animais.



Os raios desta lâmpada ultravioleta são perniciosos aos olhos e à pele.



Durante os trabalhos de manutenção desligar sempre da tomada a ficha de alimentação! Perigo de choque elétrico. Ligue somente a um recetáculo com ligação à terra protegido por um interruptor de circuito em caso de falha na terra (GFCI). Não use uma extensão.



Depois de desligado, o vidro de quartzo e a lâmpada UV-C do aparelho permanecem quentes por algum tempo. O tempo de arrefecimento dura pelo menos 15 minutos.



Use luvas para proteger o vidro de quartzo e a lâmpada UV-C contra impressões digitais. Quando ligados, as impressões digitais podem ficar queimadas no vidro de quartzo e na lâmpada UV-C causando uma redução da desinfecção.



A lâmpada UV-C nunca deve ser ligada quando não houver fluxo.



Use óculos de proteção durante os trabalhos de manutenção e a instalação.

FUNCIONAMENTO

No reator é gerada uma radiação com um comprimento de onda de 253,7 nm através de uma lâmpada UV-C. Esta radiação encarrega-se da destruição de bactérias, vírus, algas e fungos (e.o. a bactéria Legionella e o parasita Criptosporídeo). A unidade UV-C encarrega-se de manter a água limpa, fresca e clara de um modo eficiente e amigo do ambiente. A água é transportada pelo aparelho UV-C por ação de uma bomba. A radiação UV-C neutraliza bactérias, vírus e outros micro-organismos e bloqueia a sua reprodução. As algas flutuantes também são destruídas por esta radiação melhorando profundamente a claridade da água. A unidade UV-C dispõe de um balastro eletrónico. Este balastro aumenta a prestação da lâmpada ao máximo.

Graças à unidade UV-C a sua água é desinfetada de modo eficiente e seguro mantendo um grau de qualidade elevado. A UV-C não gera radiação em excesso.

INSTALAÇÃO TERRA (DESENHO 1)

1. Colocar o olhal (2) do cabo sobre o parafuso de ligação à terra (1) fixado na caixa.
2. De seguida, coloque uma anilha dentada (3).
3. Por fim, colocar a porca (4) no parafuso de ligação à terra.
4. Quando as peças tiverem sido colocadas no parafuso de ligação à terra pela ordem correcta, este pode ser apertado com uma chave de caixa ou de anel número 8.

INSTALAÇÃO DO APARELHO (DESENHO 3)

Determine o local mais conveniente para a montagem do aparelho. O melhor local para instalar o aparelho UV-C é imediatamente a seguir ao filtro. Consulte a visualização esquemática no manual de instruções. Faça com que corra sempre água pela unidade quando a lâmpada está acesa. Nunca instale o aparelho em sítio exposto à radiação solar. Instale o aparelho sempre num local seco e ventilado. O aparelho pode ser montado na horizontal e na vertical desde que o fluxo de água siga de baixo para cima (consulte a visualização esquemática no início do manual de instruções), certificando-se de que haja um espaço livre de 30 cm no lado em frente ao acoplamento da lâmpada para eventuais trabalhos de manutenção. No lado do acoplamento da lâmpada tem que haver pelo menos um metro de espaço livre para se poder substituir a lâmpada (K) sem problemas sem que o aparelho tenha que ser completamente desacoplado.

ATENÇÃO: Todas as conexões e acoplamentos devem ser fixos com a mão, portanto sem a ajuda de ferramentas. Isto para evitar danos.

1. Desaperte a porca (N) da caixa (U). Retire a lâmpada UV-C (K) do cilindro incluído (ver embalagem) e enfie a lâmpada com cuidado no vidro de quartzo (M). Coloque a lâmpada (K) com os pinos no suporte da lâmpada (L) e depois aperte a porca (N) na caixa (U).
2. Monte as braçadeiras de tubos fornecidas (O). Em seguida, coloque a unidade nas braçadeiras de tubos. Aperte as ligações da união de três peças (I), certificando-se de que coloca as anilhas de vedação (P) na posição correta, tanto no que respeita às conexões como no vidro de quartzo (veja-se figura 3).
3. Monte a unidade por meio das ligações da união de três peças (I). As ligações coladas da união de três peças têm um diâmetro de 63 mm ou 2 polegadas. Um adaptador de cauda de mangueira também pode ser usado.
ATENÇÃO: Deixe as partes coladas evaporarem por 8 horas.
4. Ligue a ficha do aparelho UV-C a uma tomada com ligação terra e equipada com um interruptor de corrente diferencial residual.
5. Controle através das partes transparentes do aparelho se a lâmpada se acende.
6. O aparelho desliga assim que se tira a tensão do aparelho.

*APENAS PARA 130 W AMÁLGAMA

- O adaptador para o interruptor de fluxo (V) tem que ser montado com a rosca (W) para cima e em cima na união de três peças (I) (veja-se desenho 3). O adaptador (V) pode se colado a uma união de três peças (I). Monte o interruptor de fluxo (X) fixado à parte elétrica (S) em cima da rosca (U) do adaptador (V) (veja-se desenho 3). Quando o interruptor de fluxo for montado de outro modo, este não funcionará. A seta por cima do interruptor de fluxo (X) deve estar na mesma direção da corrente de água. Quando esta estiver voltada contra a direção da corrente de água, o aparelho UV-C fica imobilizado.
- Quando não corre água através do aparelho, o interruptor de fluxo desliga o aparelho automaticamente.

DESMONTAGEM/MANUTENÇÃO

Desligue sempre o aparelho da corrente quando haja manutenção/desmontagem. O aparelho tem de ser limpo no mínimo 2 vezes por ano. No caso de aparecimento de algas e/ou de depósito de calcário na unidade, deve-se limpar o vidro de quartzo (M). Após a expiração do número de horas de funcionamento, a lâmpada especial deve ser substituída. O interior do reator pode ser limpo com uma escova macia.

1. Deixe a água escorrer do aparelho.
2. Desaparafuse a porca (N) e desaperte a lâmpada do suporte (L). Retire a lâmpada do vidro de quartzo e substitua se necessário a lâmpada (K). Deve atuar com cuidado porque se trata de peças muito frágeis.
3. Retire com cuidado o vidro de quartzo (M) (veja-se figura 3). Não force nada! ATENÇÃO: use sempre luvas protetoras e óculos de proteção.
4. Limpe o vidro de quartzo com um produto apropriado para tal. Utilize sempre um pano macio para limpar o vidro; evite riscos.
5. Substitua cuidadosamente o vidro de quartzo (M) (ver desenhos 4 e 5). Nunca force-o! E coloque cuidadosamente o fim do vidro de quartzo na entrada (Q).
6. Volte a colocar com cuidado a lâmpada no vidro de quartzo, coloque a junta circular (T) de volta no vidro de quartzo e enrosque a lâmpada (K) no suporte (L). Volte a enroscar a rosca (E) na caixa

Se tiver que substituir a caixa ou a parte elétrica, deve desacoplar primeiro a ligação à terra da caixa. Antes de proceder à montagem de uma nova caixa ou parte elétrica, leia o capítulo Instalação e Desmontagem. Guarde com cuidado todas as peças soltas provenientes da ligação à terra, pois estas não são fornecidas juntamente com uma nova caixa ou parte elétrica. Em caso de dúvida quanto à ligação consulte um electricista profissional.

UNIDADE COM FUNÇÃO TIMER

Ao ligar o aparelho UV-C o programa inicia um controle a si próprio. O visor dá as seguintes indicações consecutivas e automáticas: 8888 (display test) ; r e número da versão de software; indicação de rede de frequência 50H ou 60H. Em seguida o visor mostra o número no contador.

Quando é a primeira vez que liga a lâmpada UV-C ou após fazer um "reset" ("reiniciação"), aparece o número 9.000 no visor. Junto ao dígito mais à direita pisca a cada segundo um ponto que é o indicador de que o contador está ligado. O visor marca o número de contagem introduzido a partir da fábrica de 9.000 horas. Até às 9.000 horas a lâmpada UV-C origina a sua radiação a 100%. Depois das 9.000 horas a radiação fica mais fraca e pode tornar-se insuficiente para atingir os resultados pretendidos. No caso de utilizar há mais tempo a lâmpada UV-C e esta já ter estado ligada então o visor irá visualizar o número anteriormente registado antes de desligar a lâmpada UV-C. No caso de você próprio ter alterado para cima ou para baixo o número de horas no contador então o visor vai mostrar o último número registado antes de ter sido desligado.

Caso assim o pretenda, pode alterar as configurações do contador de horas. Para tal deve agir do modo seguinte: Carregue durante mais de 5 segundos o botão (R) por baixo do visor. O visor mostra agora "rSt" que indica que foi selecionado o menu de utilizador. Após libertar o botão (R) começam a piscar à vez o número registado e o "rSt" no visor. Um toque curto de cada vez no botão leva-nos a percorrer várias possibilidades num menu. Há 3 possibilidades de escolha no menu: "rSt", "UP" e "dn".

- "rSt" significa (**reset**): com esta função o contador volta ao ajuste de fábrica de 9.000 horas. Esta escolha é confirmada pelo piscar à vez do número registado e o "rSt". Se pretender mesmo fazer o "reset" carregue o botão (R) durante mais de 5 segundos, o visor volta a registar 9.000, liberte depois o botão e a partir de agora o contador começa a contagem por ordem regressiva a partir das 9.000 horas. Esta função pode ser utilizada quando substituiu a lâmpada ou quando você próprio tenha alterado o número de horas e desejar voltar a ajustá-lo ao valor de fábrica.
- "up" significa (**up**): esta função permite aumentar o número de horas para o valor desejado. Esta escolha é confirmada pelo piscar à vez do ajuste do utilizador "up" e do número registado. Em seguida deve carregar durante mais de 5 segundos o botão (R). Após os 5 segundos aparece no visor só "up". Liberte agora o botão. Com um toque curto cada vez no botão o contador passa do valor de fábrica de 9.000 a subir em etapas de 500 de cada vez até um valor máximo de 9.999. O novo valor aumentado pisca à vez com "up" no visor. Caso tenha selecionado o número de horas desejado, espere agora 10 segundos. Após os 10 segundos o número de horas selecionado aparece no visor e inicia-se a contagem regressiva no contador. Se verificar que se enganou durante esta operação do aumento de horas, pode facilmente reajustar o contador para as 9.000 horas carregando durante mais de 5 segundos no botão. Neste caso o valor no contador é reiniciado para 9.000 podendo em seguida ser introduzido um novo valor.

- **“dn”** significa (**down**): esta função permite diminuir o número de horas para o valor desejado. Esta escolha é confirmada pelo piscar à vez do ajustador “dn” e do número registado. Em seguida deve carregar durante mais de 5 segundos o botão (R). Após os 5 segundos aparece no visor só “dn”. Liberte agora o botão. Com um toque curto cada vez no botão o contador passa do valor de fábrica de 9.000 a descer em etapas de 500 de cada vez até um valor mínimo de 0000. O novo valor reduzido pisca à vez com **“dn”** no visor. Caso tenha selecionado o número de horas desejado, espere agora 10 segundos. Após os 10 segundos o número de horas selecionado aparece no visor e inicia-se a contagem regressiva no contador. Se verificar que se enganou durante esta operação do redução de horas, pode facilmente reajustar o contador para as 9.000 horas carregando durante mais de 5 segundos no botão. Neste caso o valor no contador é reiniciado para 9.000 podendo em seguida ser introduzido um novo valor.

O contador de horas alerta para a substituição da lâmpada do modo seguinte:

1. **A partir das 0672 horas;** o visor pisca uma vez por segundo.
A lâmpada tem de ser **substituída dentro de 4 semanas.**
2. **A partir das 0336 horas;** o visor pisca duas vezes por segundo.
A lâmpada tem de ser **substituída dentro de 2 semanas.**
3. **A partir das 0168 horas;** o visor pisca quatro vezes por segundo.
A lâmpada tem de ser **substituída dentro de 1 semana.**
4. **Com um número de horas de 0000** os dígitos piscam rapidamente e o contador deixa de contar.
A lâmpada tem de ser imediatamente substituída.

Para as instruções de segurança e as condições de garantia,
zconsulte o manual de instruções UV-C geral.



Важно! Перед установкой устройства внимательно изучите инструкции.



ВНИМАНИЕ:

Внимательно прочтите эти инструкции перед установкой устройства.



Всегда убедитесь в правильном заземлении. Когда Вы сомневаетесь в заземлении электротехнической установки в целом, обязательно проконсультируйтесь с лицензированным электротехником. Неисправное заземление может быть опасным и/или привести к коррозии реакторов из нержавеющей стали или алюминия.



Не разрешается пропускать через реактор жидкость или вносить в воду, которую будут обрабатывать, добавки, которые могут вызвать коррозию или разрушение используемых материалов. Это правило позволяет избежать опасных ситуаций, повреждения реактора и установок поблизости и/или флоры и фауны.



Излучение этой ультрафиолетовой лампы опасно для глаз и кожи.



Всегда отключайте устройство от напряжения перед началом обслуживания! Опасность поражения электрическим током. Подключать только к заземляемым типам розеток, снабженных устройством защитного отключения (УЗО). Не используйте удлинитель.



Кварцевое стекло и УФ-лампа будут оставаться теплыми довольно долгое время после выключения установки. Время её остывания не менее 15 минут.



Надевайте перчатки, чтобы не оставить на кварцевом стекле отпечатки пальцев. Отпечатки на кварцевом стекле и лампе при включении могут превратиться в нагар, который ослабит дезинфекцию.



УФ-лампу никогда нельзя включать без потока воды в установке.



Надевайте защитные очки во время обслуживания и установки устройства.

ПРИНЦИП РАБОТЫ

Внутри реактора УФ лампа испускает излучение с длиной волны 253,7 нм. Излучение этого типа убивает бактерии, вирусы, водоросли и грибы (такие как Legionella и Cryptosporidium). УФ установка делает воду чистой, свежей и прозрачной, устройство эффективно и дружелюбно к окружающей среде. Вода подается в УФ установку при помощи насоса. УФ излучение нейтрализует бактерии, вирусы и другие микроорганизмы и предотвращает их размножение. Плавающие в воде водоросли также уничтожаются этим излучением, что делает воду значительно более прозрачной. УФ установка оборудована электрическим балластом. Этот балласт обеспечивает оптимальный режим работы лампы.

УФ установка эффективно и безопасно дезинфицирует воду, обеспечивая Вас водой отличного качества. Передозировка УФ излучения невозможна.

УСТАНОВКА ЗАЗЕМЛЕНИЯ (РИСУНОК 1)

1. Наденьте проушину (2) кабеля на болт заземления (1), прикрепленный к корпусу.
2. Затем вставьте зубчатую пружинную шайбу (3).
3. Наконец, установите гайку (4) на болт заземления.
4. Когда все детали будут установлены на заземляющий болт в правильном порядке, его можно затянуть торцевым или накидным ключом № 8.

МОНТАЖ УСТАНОВКИ (РИСУНОК 3)

Решите, куда Вы хотите смонтировать установку. Никогда не подключайте УФ установку после pH-контроллера, дозатора хлора или системы электролиза соли при обустройстве бассейна. Самое лучшее место для установки – сразу после фильтра. Смотрите диаграмму-схему в инструкции по эксплуатации. Убедитесь в том, что через систему течет вода, когда УФ лампа включена. Никогда не устанавливайте устройство в области прямого солнечного освещения. Устанавливайте устройство в сухом, хорошо вентилируемом помещении. Устройство может быть установлено либо горизонтально, либо вертикально, при условии, что поток воды идет снизу вверх (см. диаграмму-схему в начале инструкции по эксплуатации), следует оставить 30 см свободного пространства со стороны, противоположной месту подключения лампы для обслуживания установки. По крайней мере, один метр свободного пространства должен быть свободен с той стороны, где подключается лампа, чтобы была возможность заменить лампу (К) в штатном режиме, не отключая всю установку целиком

ПРЕДУПРЕЖДЕНИЕ: все соединения и муфты должны быть затянуты руками. Не закручивайте их инструментами, иначе можно повредить установку.

1. Открутите гайку (N) от корпуса (U). Выньте УФ-лампу (К) из трубки, в которой она поставлена (см. упаковку) и аккуратно вставьте лампу в кварцевый кожух (M). Поместите лампу (К) контактами в фитинг для лампы (L) и затяните гайку (N) на корпусе (U).
2. Установите поставленные зажимы для труб (O). Затем вставьте установку в зажимы для труб. Крепко затяните трехсекционную муфту (I), при этом удостоверившись в том, что уплотнительные кольца (P) установлены в нужных местах и в соединениях, и в кварцевом кожухе (см. рис. 3).
3. Установите устройство в цепь при помощи трехсекционной муфты (I). Клеевые соединения трехсекционной муфты размера Ø63 мм или 2". Также можно использовать адаптер хвостовика шланга. **ВНИМАНИЕ:** Дать склеенным деталям испариться в течение 8 часов.
4. Вставьте штепсель УФ установки в заземленную розетку, установленную на стене и снабженную устройством остаточного тока.
5. Посмотрите сквозь прозрачные части установки на лампу, убедитесь, что она горит.
6. Устройство выключается, когда его отключают от электрической сети.

РАЗБОР/ОБСЛУЖИВАНИЕ

Всегда отключайте электропитание во время разбора/обслуживания устройства.

Устройство следует чистить не реже двух раз в год. При значительном наросте водорослей и/или накоплении извести на кварцевом кожухе следует провести очистку кварцевого кожуха.

Специальную лампу следует заменять после определенного количества часов работы. Внутреннюю часть реактора можно очистить мягкой щеткой.

1. Дайте воде вытечь из устройства.
2. Открутите гайку (N) и выньте лампу (К) из фитинга (L). Выньте лампу из кварцевого кожуха и замените специальную лампу (К) если необходимо. Требуется аккуратность, эти детали очень хрупкие.
3. Аккуратно выньте кварцевый кожух (M) (см рис 3). Никогда не прикладывайте силу! **ПРЕДУПРЕЖДЕНИЕ:** всегда одевайте защитные перчатки и очки.

4. Очистите кварцевый кожух специальным моющим средством. Всегда используйте мягкую ткань для очистки кожуха и не царапайте его.
5. Осторожно замените кварцевое стекло (M) (см. Рисунки 4 и 5). Никогда не заставляйте это! И аккуратно положите конец кварцевого стекла на вход (Q).
6. Аккуратно поместите лампу обратно в кварцевый кожух, наденьте уплотнительное кольцо (T) обратно на кварцевый кожух и присоедините лампу (K) к фитингу (L). Снова затяните гайку (N) корпуса.

Если требуется замена электрической части или корпуса, в начале нужно отключить от корпуса заземление. Пожалуйста, прочитайте главу «Монтаж и разбор» перед установкой нового корпуса или электрической части. Убедитесь, что вы оставили (не выбросили) все отдельные компоненты, для заземления. Они не поставляются вместе с новым корпусом или электрической частью. В случае сомнений на счет соединения, проконсультируйтесь со специалистом по установке.

* ТОЛЬКО ДЛЯ АМАЛЬГАМНЫХ 130 W УСТАНОВОК

- Клеевую муфту для потокового переключателя (V) следует разместить на трехсекционной муфте (I) винтовой резьбой (W) вверх (см. рис. 3). Клеевая муфта (V) может быть приклеена к трехсекционной муфте (I). Установите переключатель потока (X), подключенный к электрической части (S), прямо на резьбу (U) клеевой муфты (V) (см рис. 3). Если переключатель потока установлен иначе, устройство работать не будет. Стрелка в верхней части потокового переключателя (X) должна всегда показывать в направлении потока воды. Если она показывает в противоположном направлении, УФ установка будет оставаться выключенной.
- Когда вода не течет через установку, потоковый переключатель автоматически выключает устройство.

УСТРОЙСТВО С ФУНКЦИЕЙ ТАЙМЕРА

Когда УФ лампа включается в первый раз или после использования функции сброса (reset), значение 9000 появляется на дисплее. Точка десятичной дроби, которая мигает раз в секунду рядом с самой правой цифрой на дисплее, показывает, что счетчик работает. Дисплей автоматически устанавливается на заводские показания 9000 часов. До 9000 часов УФ лампа обеспечивает заданный уровень излучения. После 9000 часов уровень излучения снижается. Этого излучения может быть недостаточно для того, чтобы достичь желаемого результата. При каждом включении УФ лампы, которая ранее использовалась, дисплей покажет значение, которое было на нем до того, как УФ лампа была выключена. Если счет часов увеличился или уменьшился, дисплей покажет значение, которое было на нем до выключения.

Настройки счетчика часов могут быть изменены при желании. Это можно сделать так: После удерживания кнопки (R), расположенной под дисплеем, в течение 5 секунд дисплей покажет 'rSt', что означает активацию пользовательского меню. После отпускания кнопки (R) счетчик и надпись 'rSt' будут мигать на дисплее. Теперь каждое короткое нажатие на кнопку будет шагом по меню опций. В меню опций есть три пункта: 'rSt', 'up' и 'dn'.

- 'rSt' значит сброс (reset): сбрасывает таймер к заводским настройкам 9000 часов. Выбор этого пункта подтверждается чередованием на дисплее надписи 'rSt' и счетчика. Если кнопку (R) удерживать 5 секунд, после чего отображается показание таймера 9000, а затем отпустить, таймер начнет отсчитывать с 9000 часов. Эта опция используется, например, если лампа была заменена или когда режим счетчика был изменен и требуется возврат к заводским настройкам.
- 'up' (up, вверх): эта опция позволяет увеличить показания таймера до желаемого значения. Эта функция подтверждается выбором в меню пункта 'up', который мигает на дисплее вместе с показанием таймера. Теперь удерживайте кнопку (R) в течение 5 секунд. После 5 секунд дисплей будет показывать только 'up'. Теперь отпустите кнопку. Короткими нажатиями на кнопку показание счетчика может быть увеличено с 9000 шагами по 500 до максимального значения 9999. Увеличенное значение мигает на дисплее вместе с надписью 'up'. Когда нужное значение показания таймера достигнуто, подождите 10 секунд. Через 10 секунд выбранное показание таймера появится на дисплее и начнется отсчет. Если была допущена ошибка при задании показаний таймера, например, можно сбросить его до 9000, удерживая кнопку 5 секунд. После этого значение устанавливается на 9000 и можно задать новое значение.
- 'dn' (down, вниз): эта опция позволяет уменьшить показания таймера до желаемого значения. Эта функция подтверждается выбором в меню пункта 'dn', который мигает на дисплее вместе с показанием счетчика часов. Теперь удерживайте кнопку (R) в течение 5 секунд. Через 5 секунд дисплей будет показывать только 'dn'. Теперь отпустите кнопку. Короткими нажатиями на кнопку показание счетчика может быть снижено с 9000 шагами по 500 до минимального значения 0000. Уменьшенное значение мигает на дисплее вместе с надписью 'dn'. Когда нужное значение показания таймера достигнуто, подождите 10 секунд. Через 10 секунд выбранное показание таймера появится на дисплее и начнется отсчет. Если была допущена ошибка при задании показаний таймера, например, можно сбросить его до 9000, удерживая кнопку 5 секунд. После этого значение устанавливается на 9000 и можно задать новое значение.

Счетчик часов показывает необходимость замены лампы следующим образом:

1. С показания 0672 дисплей мигает каждую секунду. Лампу следует заменить в течение 4 недель.
2. С показания 0336 дисплей мигает каждые полсекунды. Лампу следует заменить в течение 2 недель.
3. С показания 0168 дисплей мигает каждую секунду. Лампу следует заменить в течение 1 недели.
4. Когда показания таймера достигают 0000, цифры начнут часто мигать и отсчет прекратится. Лампу следует заменить.

В качестве основного документа с инструкциями по технике безопасности и условиями гарантийного обслуживания мы взяли руководство по UV-C



EN RECYCLE INFORMATION

The symbol of the barred bin printed on the product means that it must be collected separately from other rubbish when it will not be anymore in use. The user, at the end of the life of the product, will have to bring it to a proper rubbish collection centre for electric and electrical devices. Alternatively he can return the used product to the seller at the moment he buys a new unit, but only in proportion 1 to 1. A differentiated refuse collection is environmentally friendly and it helps the recycle of the materials, any other collection procedure is unlawful and will be subject to the law in force.

DE INFORMATIONEN DAS RECYCLAGE

Das Kennzeichen auf die Packung bedeutet dass es getrennt, von normales Müll gesammelt werden muss, wenn das Gerät nicht mehr nutzbar ist. Wenn das Produkt kaputt ist soll der Besitzer es zu ein Sammelpunkt für elektrische Haushaltgeräte bringen. Oder wenn der Besitzer ein neues Gerät kaufen möchte kann Er/Sie das alte Gerät beim Verkäufer hinterlassen, nur 1 um 1 austauschbar. Getrenntes sammlung ist Umwelt freundlich und hilft dazu die alte Materialien neu nutzbar zu machen. Jeder andere/ sonstige weise von sammeln ist nicht rechtsgültig.

FR INFORMATION DE RECYCLAGE

Le symbole du container barre sur le produit veut dire que le appareil doits etre recycle separe. Le usageur, a la fin du vie de le appareil, doits ramene le appareil a un centre de recyclage des appareils electrique. Une alternative est de le ramene a le vendeur sur le moment de une achat de une nouvelle produit, sur le base 1 sur 1. Une recyclage alternative est tres saine pour le environement, et aide a une recyclage de materiel, une autre methode de jete le appareil est illegal, et sera puni par la loi.

NL RECYCLING INFORMATIE

Het symbool van de afvalbak op dit product geeft aan dat het product (als het niet meer wordt gebruikt) niet met het reguliere vuilnis mag worden aangeboden, maar dat het op de speciaal hiervoor ingerichte collectiepunten moet worden aangeboden voor recycling. Als alternatief kunt u het product ook aanbieden op het adres waar het is gekocht op het moment dat u een nieuw product koopt. Maar dit mag alleen op basis van 1 op 1. Een gescheiden afvalcollectie is beter voor het milieu en het helpt om door recycling de grondstoffen weer opnieuw te gebruiken. Elke andere manier van afvalverwerking met betrekking op dit product is strafbaar.

CE
Made in the
Netherlands

**UK
CA**



MAN0052
251537