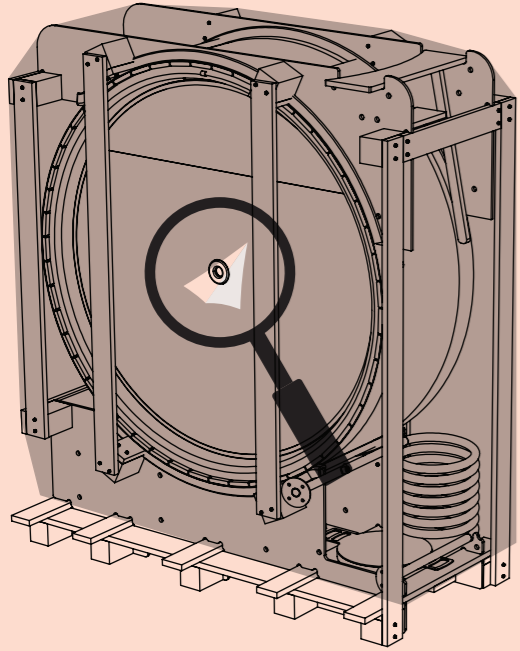
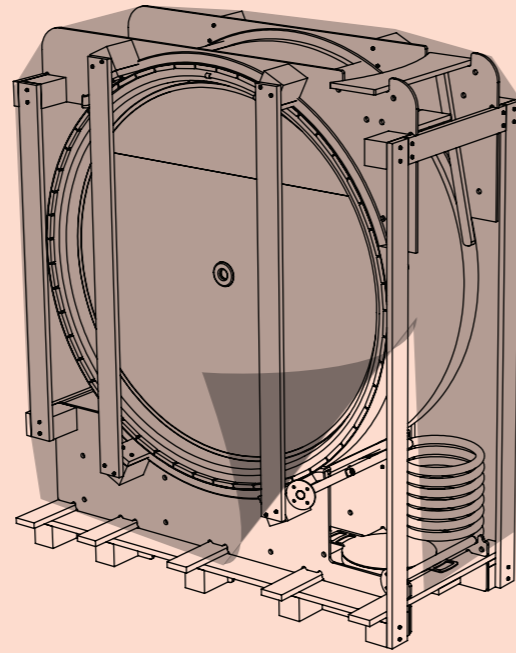


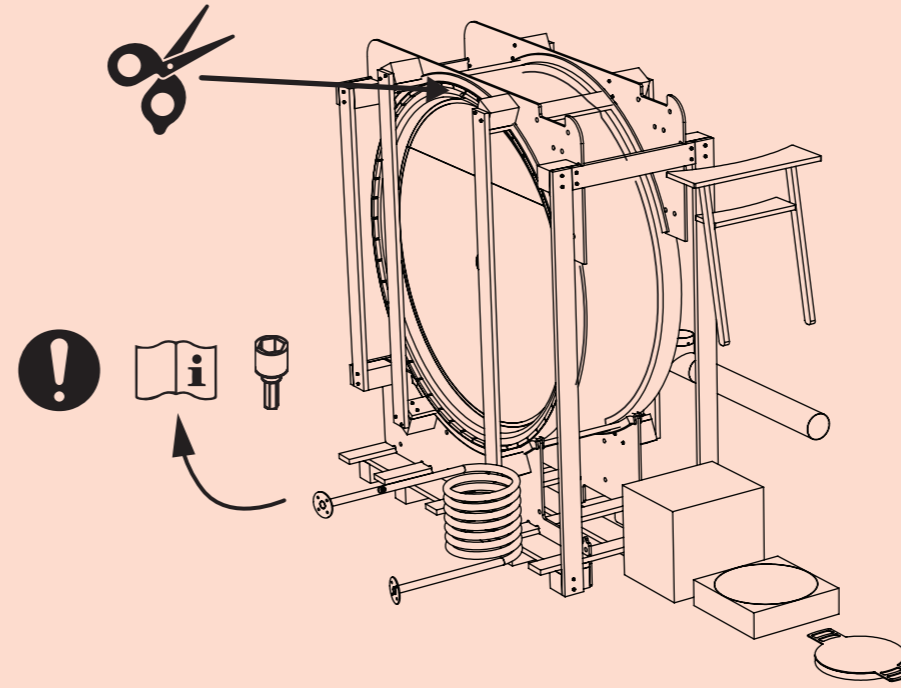
1. Check packaging for damage.
If there is any sign of damage,
please send a photo to logistics@weltevree.nl



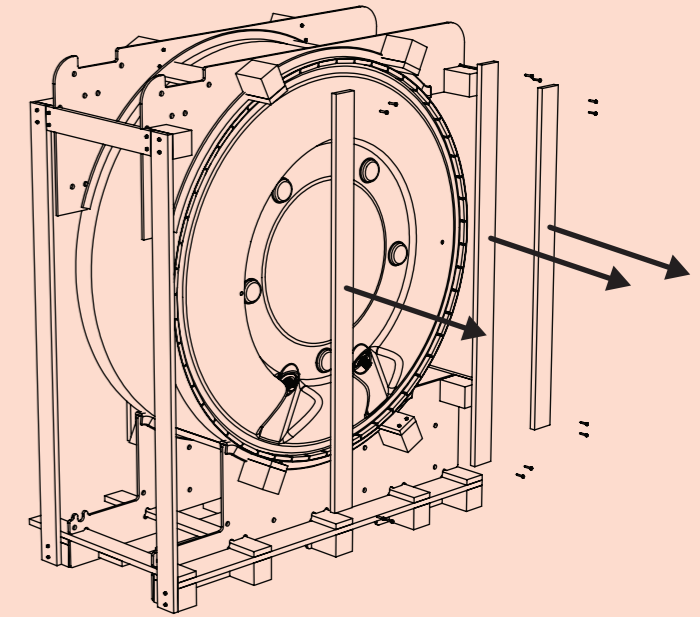
2.



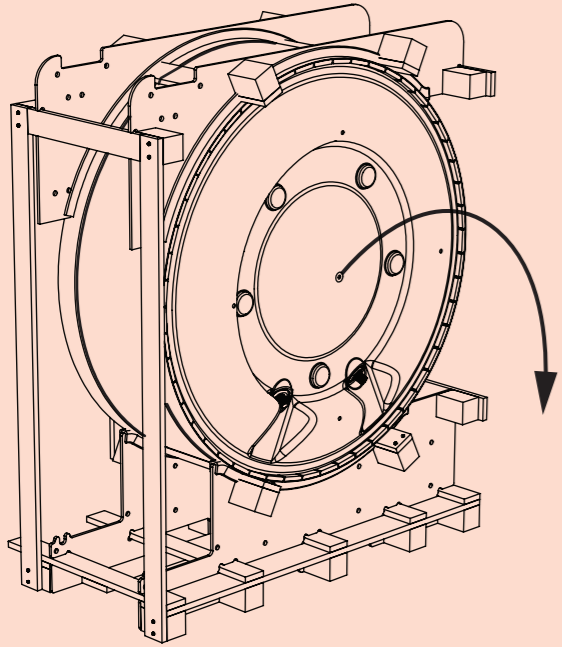
3. amount of parts depends on
ordered accessories



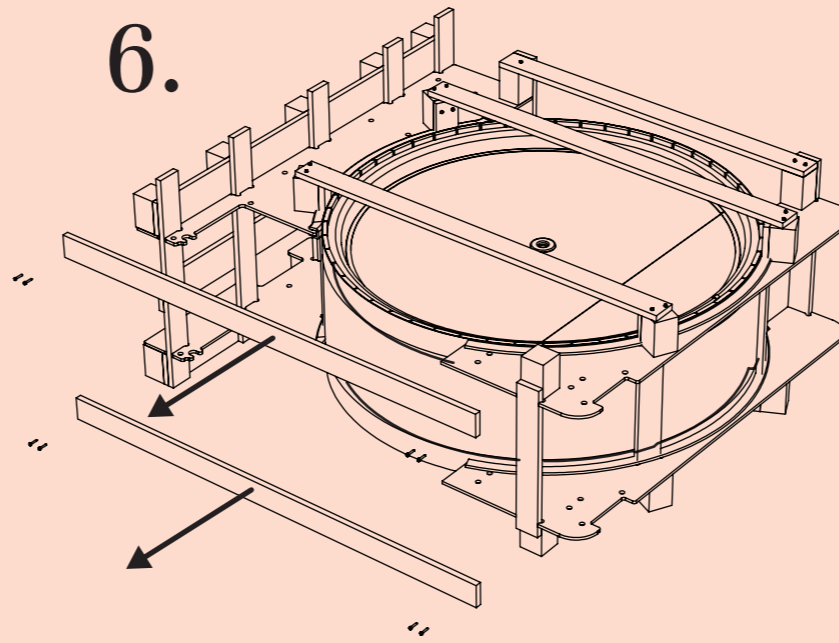
4. drill bit supplied in box (see step 3)



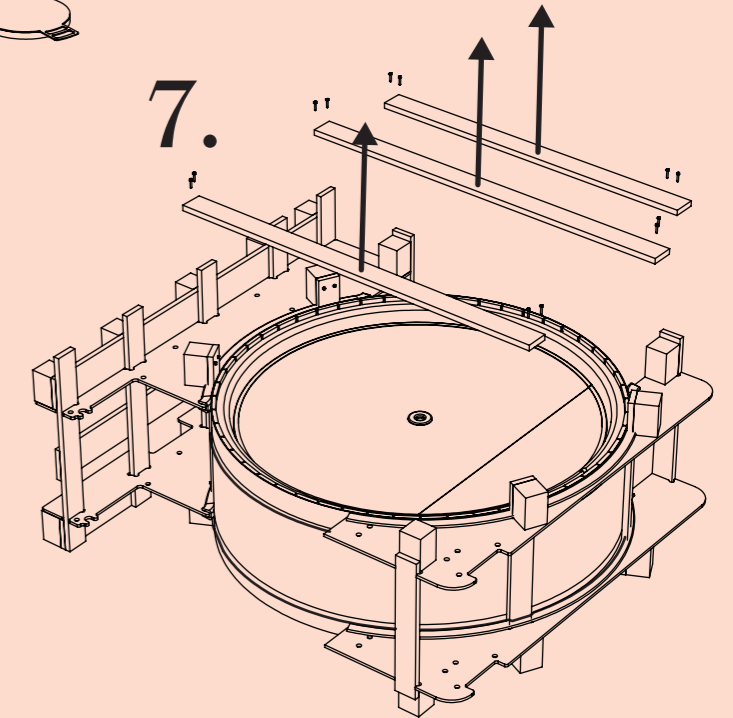
5.



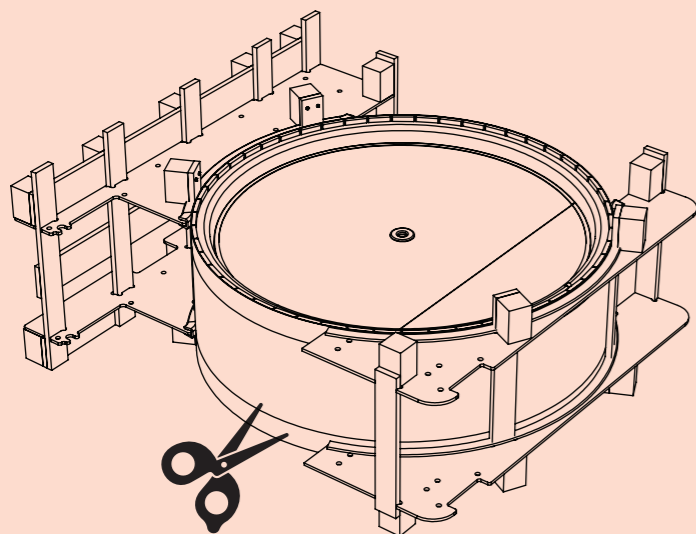
6.



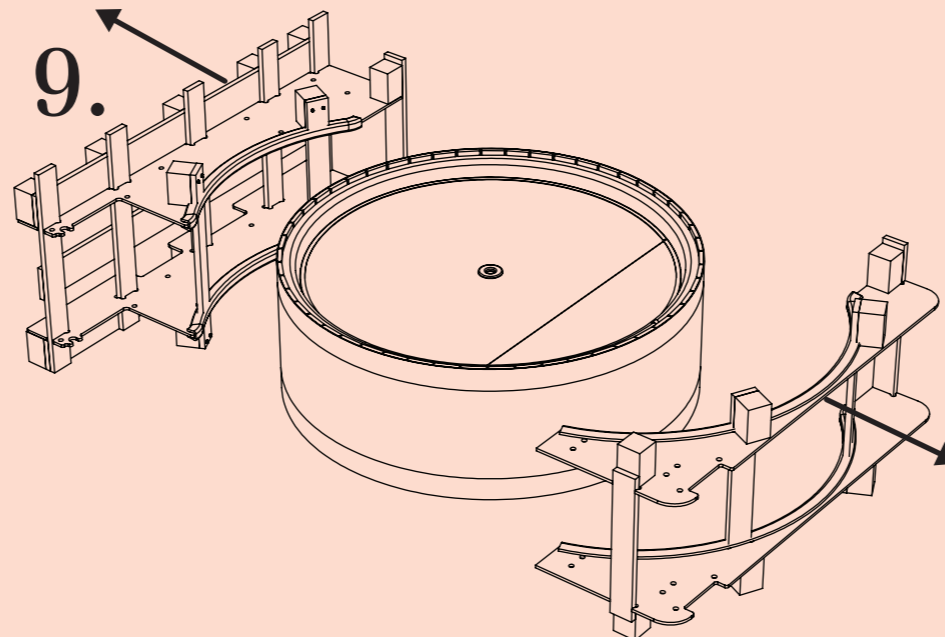
7.



8.



9.



10. >> 

