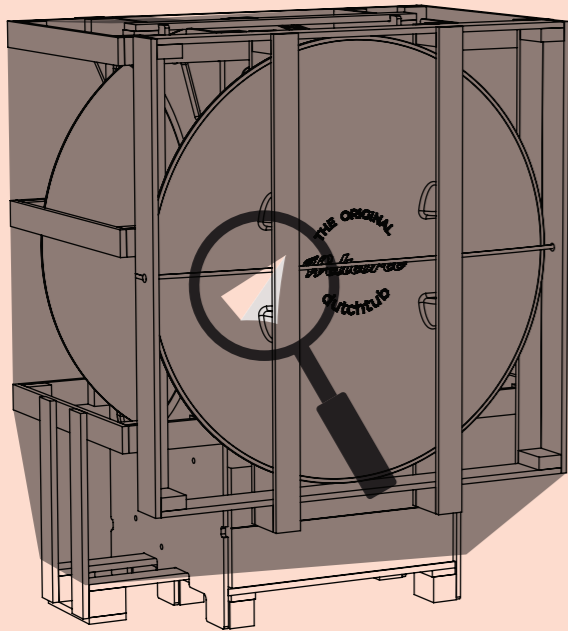
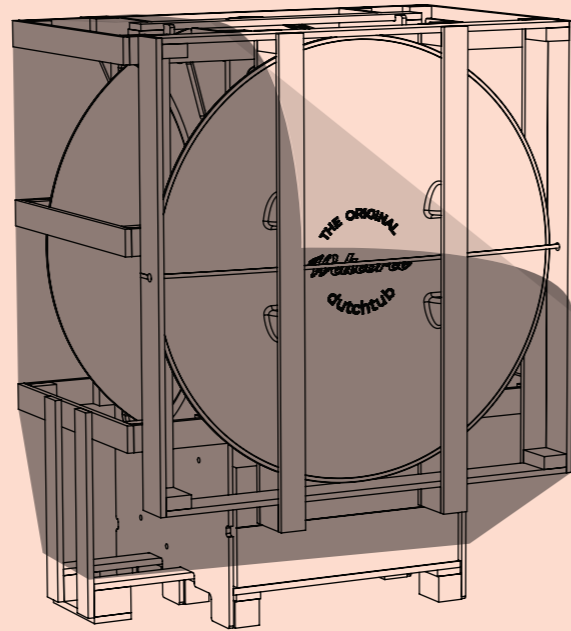


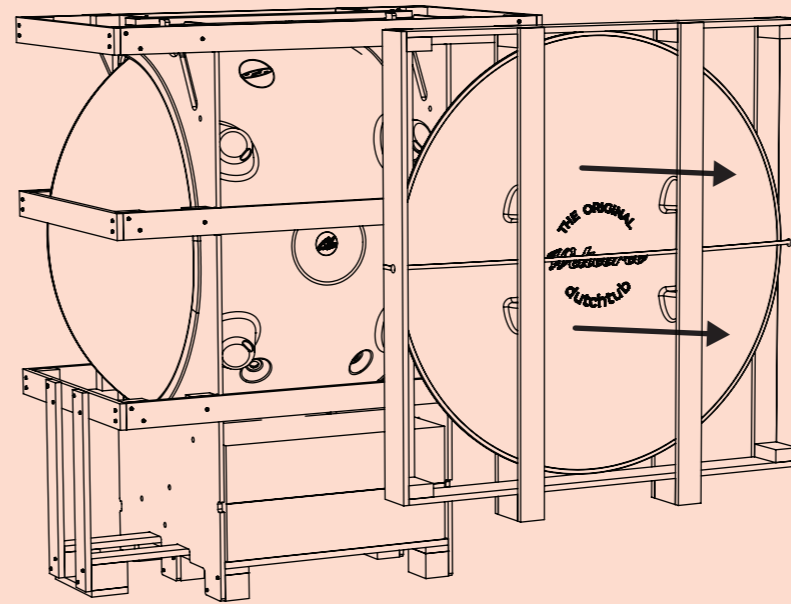
1. Check packaging for damage.
If there is any sign of damage,
Please send a photo to logistics@weltevre.nl



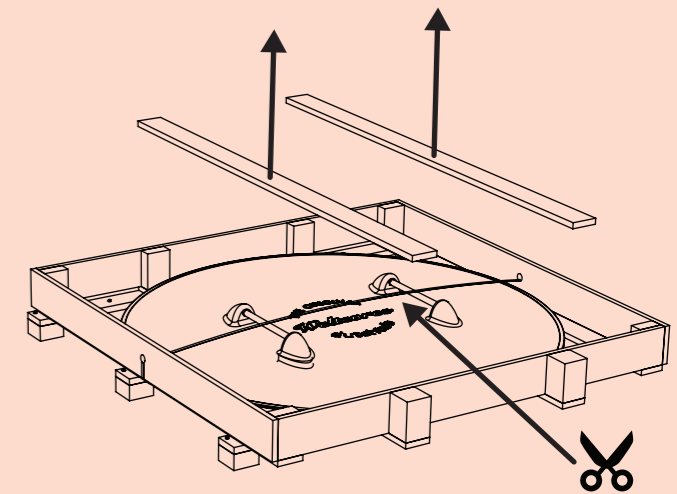
2. Amount of parts depends on
ordered accessories.



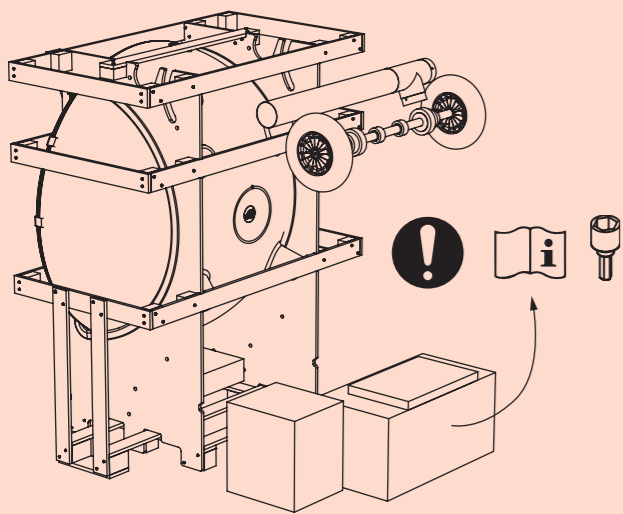
3.



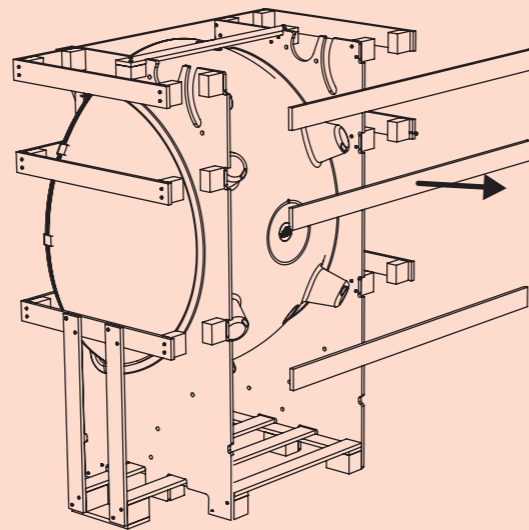
4.



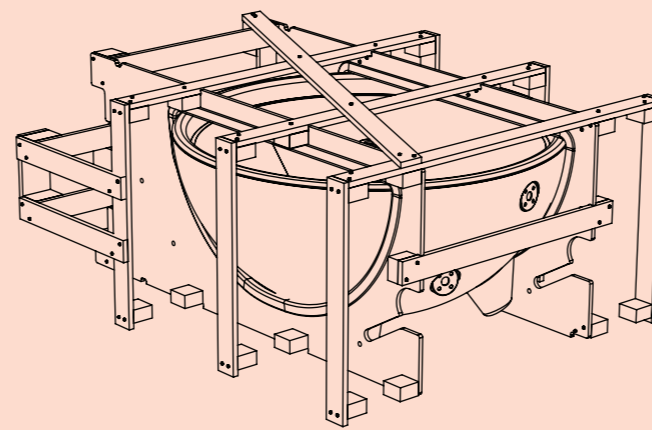
5.



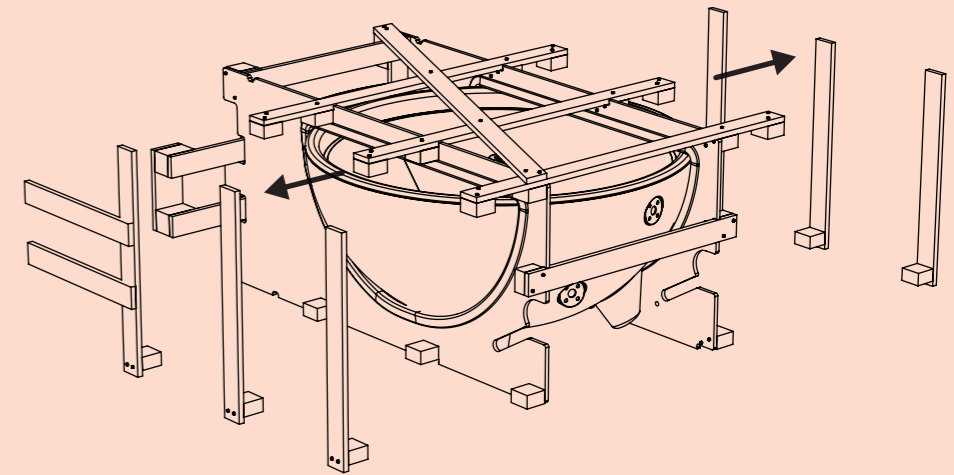
6. Drill bit supplied in box (see step 5).



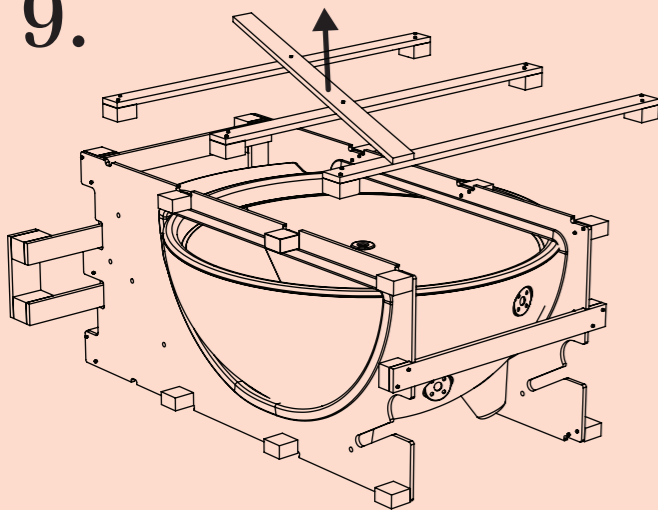
7.



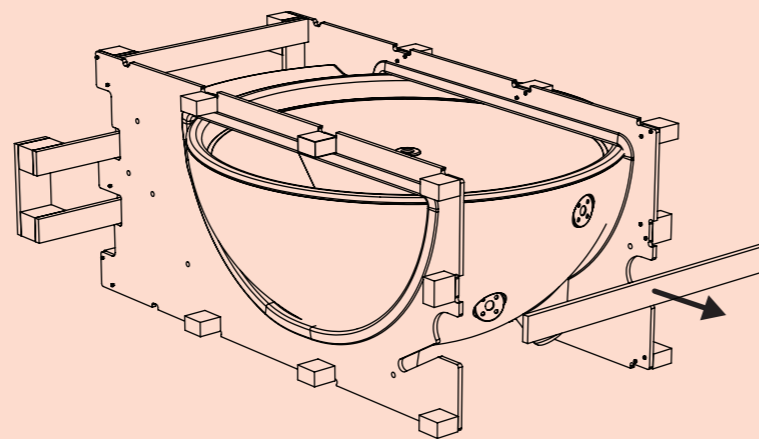
8.



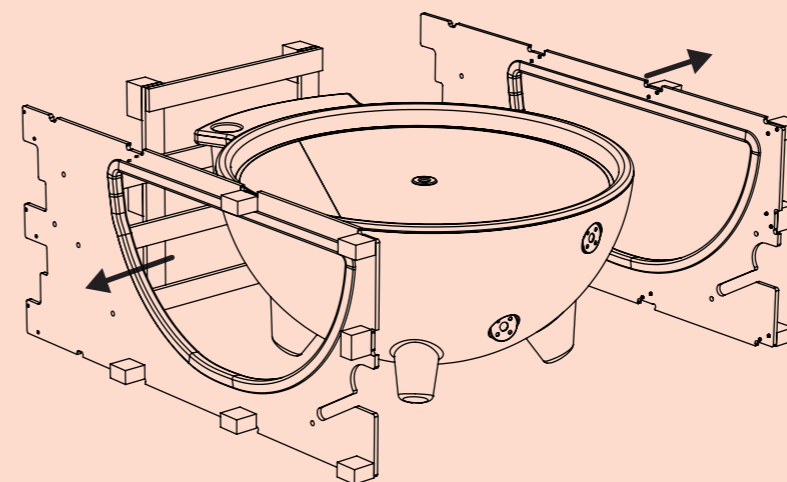
9.



10.



11.



12. » ⓘ

