

Blue lagoon

UV-C and Pool equipment



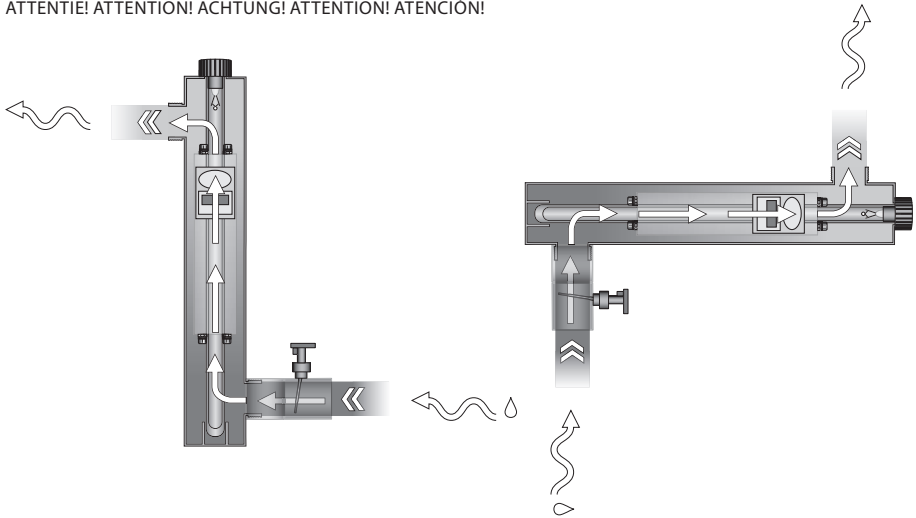
PRO UV-C 75W
PRO UV-C 130W
AMALGAM




VGE
UV-C AND FILTER EQUIPMENT



ATTENTIE! ATTENTION! ACHTUNG! ATTENTION! ATENCIÓN!



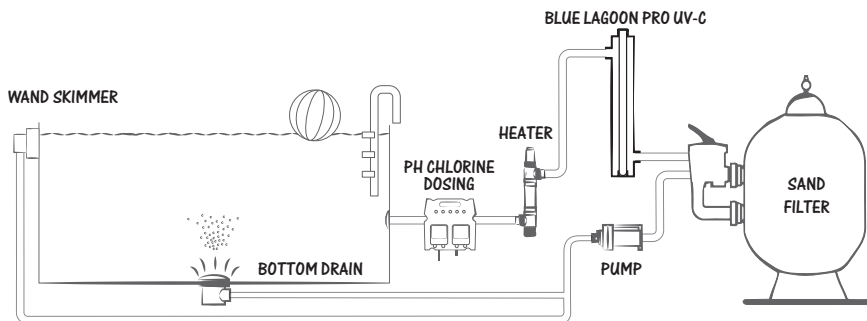
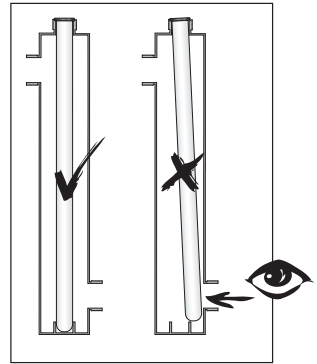
NL Zorg dat het kwartsglas juist in de houder onder in de behuizing bevestigd zit.

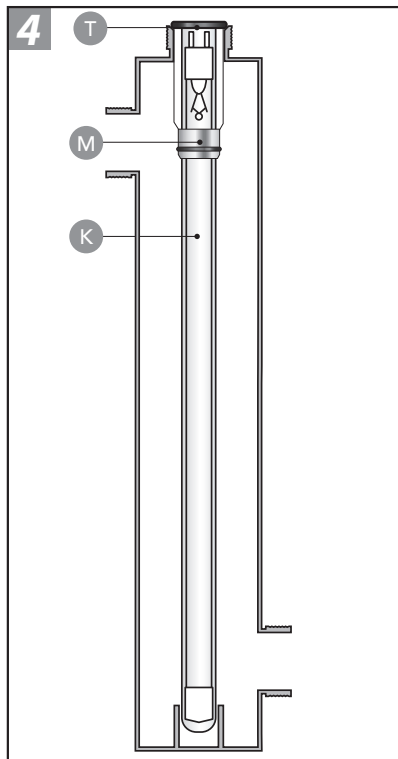
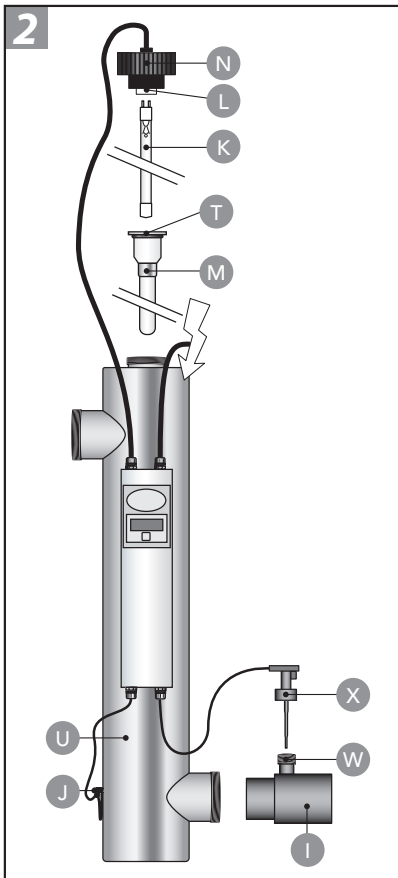
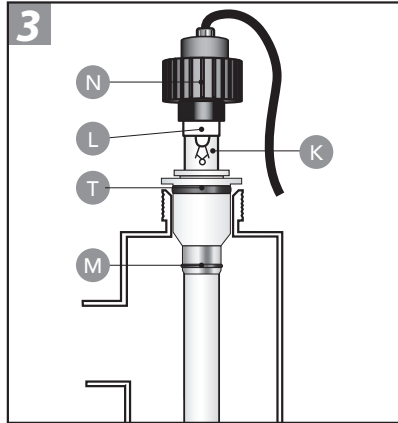
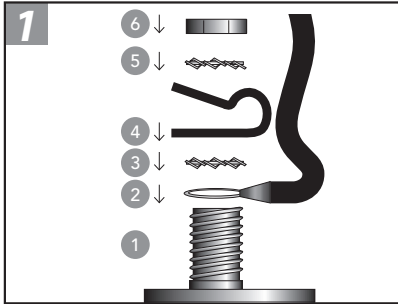
EN Make sure the quartz glass is secured well in the fixation at the bottom of the housing.

DU Stellen Sie sicher dass das Quarzglas in dem Schacht an der Unterseite des Gehäuses richtig befestigt ist.

FR Assurez-vous de bien enclencher le verre de quartz dans la douille prévue à cet effet.

ES Asegúrese que el cristal de cuarzo está bien fijado en la parte inferior de la carcasa.







Please read through these instructions for use carefully before installing this device.

OPERATION

In the Blue Lagoon Pro UV-C, a UV-C radiation with a wavelength of 253.7 nm is generated by the special UV lamp, ensuring a lethal effect on bacteria (including Legionella bacteria). The Blue Lagoon Pro UV-C will ensure that your pool water is clean, fresh and clear in an efficient and environmentally-friendly manner. The water is led through the UV-C device via a pump. The UV-C radiation neutralises bacteria, viruses and other primitive organisms and stops them from multiplying. The Blue Lagoon Pro UV-C has a built-in high-frequency electronic ballast, which absorbs current fluctuations, thereby protecting the lamp. In addition, the device contains an integrated time meter that accurately monitors the number of operating hours. You can therefore see exactly when the lamp must be replaced. In addition, the stainless steel interior ensures the reflection of the UV-C rays, thereby increasing the efficiency up to 35%. Thanks to the Blue Lagoon Pro UV-C, your swimming pool water will be disinfected efficiently and safely, and the quality of your water will remain excellent.

ADVANTAGES OF UV-C TREATMENT:

- Ensures fresh, clean and clear water
- Disinfects water efficiently and safely
- Bound chlorine is broken down by UV-C light
- Protects your pool from germs
- Keeps the formation of mould, bacteria and algae under control
- Can reduce the use of chlorine and other chemicals up to 80%
- Prevents the smell of chlorine and irritation to the skin and eyes (red eyes)
- More environmentally-friendly than traditional methods

ADVANTAGES OF THE BLUE LAGOON PRO UV-C :

- Built-in electronic pre-selector to ensure a smooth power supply
- Up to 35% more UV-C yield as a result of reflection
- Includes a UV-C lamp
- Has a flow switch that switches the machine off as soon as no water flow-through is detected.
- Integrated adjustable time meter for the UV-C lamp
- Digital indication when the lamp needs replacing
- 316L stainless steel housing
- Easy installation and maintenance
- 2-year guarantee with respect to manufacturing faults
- Earthed

INSTALLATION OF THE EARTH (DRAWING 1)

1. Pull the cable (2) through the strain relief (4) before fitting the synthetic strain relief (4) onto the earth bolt (1). Position the strain relief (4) at approximately 10 cm from the eye (2) of the earth cable.
2. Place the eye (2) of the cable onto the earth bolt that is fitted to the housing.
3. Then place a toothed lock washer (3).
4. Fit the strain relief (4), creating a loop of 05 cm.
5. Finally place the second toothed lock washer (5) and the lock nut (6) onto the earth bolt.
6. Once the parts have been placed onto the earth bolt in the correct sequence, they can be tightened with a spanner or a ring spanner number 8.

INSTALLATION OF THE DEVICE (DRAWING 2)

Determine where the device will be installed. The Blue Lagoon Pro UV-C must never be installed behind the Ph regulator or the salt electrolysis system in your swimming pool installation. The ideal location to install your device is immediately behind the filter. See schematic representation in the front of the manual. The installation must always take place outside of the pool. Ensure that there is always water flowing through the unit when the lamp is on. Never install the unit in an area exposed to full sunlight. The installation must always take place in a dry and well-ventilated area. It's possible to install the device horizontal and vertical if the water flows bottom up (see schematic representation in the front of the manual). An area of approx. 1.5 m must be available at the top in order to be able to replace the lamp (K) smoothly without having to dismantle the complete device.

1. Determine where the device will be installed. Make sure to leave a free area (+/- 1 metre) in order to be able to remove the lamp (K) / quartz glass (M) for the purpose of replacement and/or maintenance.
2. Install the UV-C unit in a fixed position; if necessary secure the unit onto a solid rear wall using pipe clips (not supplied).
3. Mount the unit into the circuit. The glued socket (I) for the flow switch (X) must be glued with the screw thread (W) pointing upwards (see Drawing 2). The arrow on top of the flow switch (X) must always point in the direction in which the water is flowing. The Blue Lagoon Pro UV-C will not switch on if the flow switch is pointing in the opposite direction (against the flow of the water).
4. Unscrew the screw ring (N) of the lamp on top of the housing (U). Carefully place the quartz glass (M) in the housing (U). Place the o-ring (T) in the correct position with regard to the quartz glass.
5. Remove the UV-C lamp (K) from the supplied case (see packaging) and carefully slide the lamp into the quartz glass (M). Carefully connect the white lamp holder (L) to the UV-C lamp (K) and then screw the screw ring (N) hand-tight onto the housing (U). In doing this, pay attention to the correct position of the O-ring (T) with regard to the quartz glass.
6. Activate the pump and check the flow and any leakage of the system.
7. Put the plug of the UV-C device in a wall socket with a safety ground and fitted with a residual

current circuit-breaker. Check whether the lamp is operating by looking through the transparent components of the unit. The unit is switched off by pulling the plug out of the socket.

INSTRUCTIONS FOR USE OF THE DIGITAL TIME METER

As soon as the Blue Lagoon Pro UV-C is switched on, the program will carry out a self-test. The display will automatically show the following, one after the other: 8888 (display test); r and software version number; 50H or 60H indication of the mains frequency. Following this, the display will show the meter reading.

When the UVC lamp is switched on for the first time, or after the "reset" function has been used, the value '9000' will appear on the display. A dot next to the digit on the far right of the display will blink every second; this indicates that the counter is running.

The display is automatically set to the factory reading of 9,000 hours. The UV-C lamp operates at 100% radiation for up to 9,000 hours. After 9,000 hours, the radiation will weaken, and may become insufficient to obtain the desired results.

If the UV-C lamp had already been used previously, and is switched on again, the display will indicate the value it had at the time it was switched off earlier. If you had increased or reduced the value of the time meter yourself, the display will indicate the latest counter reading it had before it was switched off.

The settings of the time meter can be modified if you wish. This is carried out as follows:

After holding down the switch (R) underneath the display for 5 seconds, the display will show "rSt", to indicate that the user menu has been selected. Once the switch (R) has been released, the meter indication and "rSt" will blink alternately on the display. By briefly pressing the switch again, it is now possible to step through the menu options. There are 3 available setting options in the menu: "rSt" "UP" and "dn".

- "rSt" means (reset): This option enables you to reset the meter indication to the factory setting of 9,000 hours.
This selection is confirmed if the meter indication and "rSt" on the display blink alternately. If you hold down the switch (R) for 5 seconds, after which the meter indication 9000 will be displayed, and then release it, the time meter will start counting down from the 9,000 hour value. This selection is used if, for example, you have replaced the lamp, or if you have modified the meter indication yourself and you want to return it to the factory settings.
- "UP" means (up): This option enables you to increase the meter indication to the desired hour indication.
This selection is confirmed if the selected user setting "UP" and the meter indication on the display blink alternately. Following this, press the switch (R) down for 5 seconds. After 5 seconds, the display will only indicate "UP". You can then release the switch.
By briefly pressing the switch, the counter value can now be increased in steps of 500 hours from the value of 9000 up to a maximum value of 9999. The increased value and "UP" will blink

alternately on the display.

After you have selected the desired hour indication, wait for 10 seconds. After 10 seconds, the selected hour indication will be displayed and the Pro will start counting down.

If you make a mistake while increasing the meter indication, it is possible to reset the counter to 9000 by keeping the switch pressed down for 5 seconds. The counter value will then be reset to 9000, and a new value can be set.

- “dn” means (down): This option enables you to decrease the meter indication to the desired hour indication.
This selection is confirmed if the selected user setting “dn” and the meter indication on the display blink alternately. Following this, press the switch (R) down for 5 seconds. After 5 seconds, the display will only indicate “dn”. You can then release the switch.
By briefly pressing the switch , the counter value can now be decreased in steps of 500 hours from the value of 9000 down to a minimum value of 0000. The decreased value and “dn” will blink alternately on the display.
Once you have selected the desired hour indication, wait for 10 seconds. After 10 seconds, the selected hour indication will be displayed and the Pro will start counting down.
If you make a mistake while decreasing the meter indication, it is possible to reset the counter to 9000 by keeping the switch pressed down for 5 seconds. The counter value will then be reset to 9000, and a new value can be set.

The time meter will indicate in the following manner that the lamp must be replaced:

- From hour position 0672; the display will blink every second. The lamp is to be replaced in 4 weeks' time.
- From hour position 0336; the display will blink every half second; The lamp is to be replaced in 2 weeks' time.
- From hour position 0168; the display will blink every ¼ second; The lamp is to be replaced in 1 week's time.
- At an hour position of 0000; the digits will blink continuously, and the meter will not continue to count down. The lamp must be replaced.

DISMANTLING / MAINTENANCE

Always switch off the power supply during maintenance/dismantling of the device.

The device must be cleaned twice a year. If there is an increase in algae and/or scale, the quartz glass tube (M) in which the lamp is positioned must be cleaned. The special UV-C lamp must be replaced after 9,000 operating hours. The stainless steel interior can be cleaned with a soft brush.

1. Drain the water from the device.
2. Unscrew the screw cap (N) and disconnect the lamp (K) from the lamp holder (L). Remove the lamp from the quartz glass and, if necessary, replace the special lamp (K). As these parts are very fragile, caution is essential.

3. Carefully remove the quartz glass (M) (see drawing 3). Never use force!
4. Clean the quartz glass with a suitable agent. Always use a soft cloth to clean the glass in order to prevent scratches.
5. Carefully replace the lamp in the quartz glass, put the O-ring (T) back on the quartz glass and connect the lamp (K) to the lamp holder (L). Screw the screw cap (N) onto the housing again.
6. The electrical unit of the device is situated in the display box (S) on the device. This display box is glued and cannot be opened. If the electrical unit or the display is replaced, the entire box must be unscrewed and the wiring must be disconnected from the device (see drawing 1). Any loose parts, i.e. of the earth etc., must be carefully retained, as they are not supplied with a new housing or electrical unit. In case of any doubt with regard to the connection, consult a recognised fitter.
7. If the housing needs replacing, the earth (J) and the electrical unit with the display (S) must first be disconnected from the housing (U) (see drawings 1 & 2). Unscrew the electrical unit with display (S) and the lamp holder from the housing. Be sure to carefully retain the various loose parts of the earth, as they are not supplied with a new housing. Remove the lamp (K) and quartz glass (M) from the housing in order to prevent breakage during transport. In case of any doubt with regard to the connection, consult a recognised fitter.

	PRO UV-C 75W	PRO UV-C 130W AMALGAM
Type	75.000 /75W	150.000 /130W
Electronic ballast	230V AC 50/60Hz	230V AC 50/60Hz
Maximum current	0,57A	1,1A
Item code	BP02752	BP02132
Lamp wattage	75W	130W
Barcode	8714404038669	8714404038676
Lamp	Philips TUV 36T5 HO 4P-SE (75 Watt)	Philips TUV 130 Watt 4P-SE Amalgam
Rec. flow for 30 mJ/cm ²	18 m ³ /h	22 m ³ /h
Max. pressure	5 bar	5 bar
Lifespan lamp	9.000 h	12.000 h
Max. flow	23 m ³ /h	23 m ³ /h
Diameter unit	114 mm	114 mm
Diameter in-outlet	2" Male thr.	2" Male thr.
Length unit	100 cm	100 cm
Stainless steel	316L	316L
Timer	✓	✓
Flow switch	✓	✓
Replace lamp alert	✓	✓

UV-C SYSTEM TYPES

Article number: BP02752 Blue Lagoon Pro UV-C 75W e (230V; 50/60Hz)

Article number: BP02132 Blue Lagoon Pro UV-C 130W Amalgam (230V; 50/60Hz)

Article number: BP02751 Blue Lagoon Pro UV-C 75W (120V; 50/60Hz)

Article number: BP02131 Blue Lagoon Pro UV-C 130W Amalgam (120V; 50/60Hz)

REPLACEMENT LAMPS

Article number: E800902 Philips Lamp type TUV 36T5 HO 4P-SE (75 Watt)

Article number: E800904 Philips Lamp type TUV 130 Watt 4P-SE Amalgam (130 Watt)



Lesen Sie diese Gebrauchsanweisung vor dem Installieren des Geräts sorgfältig durch.

DE

FUNKTIONSWEISE

Im Blue Lagoon Pro UV-C erzeugt die UV-Speziellampe eine UV-C-Strahlung von 253,7 nm Wellenlänge, die eine bakterientötende Wirkung (u.a. Legionella-Bakterie) hat. Der Blue Lagoon Pro UV-C sorgt auf effiziente und umweltfreundliche Weise für sauberes, frisches und klares Wasser. Das Wasser wird mit einer Pumpe durch das UV-C-Gerät geführt. Die UV-C-Strahlung neutralisiert Bakterien, Viren und andere primitive Organismen und verhindert ihre Fortpflanzung. Der Blue Lagoon Pro UV-C hat einen eingebauten hochfrequenten elektronischen Ballast. Dieser Ballast nimmt Stromschwankungen auf und schützt dadurch die Lampe. Außerdem verfügt das Gerät über einen integrierten Stundenzähler, der die Zahl der Brennstunden exakt registriert. So können Sie genau sehen, wann die Lampe ausgetauscht werden muss. Außerdem bewirkt die Edelstahl-Innenseite eine Reflexion der UV-C-Strahlung und erhöht so die Effizienz um bis zu 35%. Mit dem Blue Lagoon Pro UV-C wird Ihr Wasser auf effiziente und sichere Weise desinfiziert, und die Wasserqualität bleibt hervorragend.

VORTEILE DER UV-C-BEHANDLUNG:

- Sorgt für frisches, sauberes und klares Wasser
- Desinfiziert das Wasser auf effiziente und sichere Weise
- UV-C-Licht baut gebundenes Chlor ab
- Schützt Ihr Bad vor Krankheitserregern
- Hält Schimmel-, Bakterien- und Algenbildung unter Kontrolle
- Kann den Einsatz von Chlor und anderen Chemikalien um bis zu 80% verringern
- Verhindert Chlorgeruch und Reizungen an Haut und Augen (rote Augen)
- Besser für die Umwelt als herkömmliche Methoden

VORTEILE DES BLUE LAGOON PRO UV-C:

- Eingebautes elektronisches Vorschaltgerät für eine gleichmäßige Stromversorgung
- Bis zu 35% mehr UV-C-Ertrag durch Reflexion
- Einen Durchflussschalter, der das Gerät abschaltet, sobald kein Wasser hindurch strömt
- Integrierter, einstellbarer Stundenzähler für die UV-C-Lampe
- Zeigt digital an, wann die Lampe ausgetauscht werden muss
- 316L-Edelstahl-Gehäuse
- Einfache Installation und Wartung
- 2 Jahre Garantie auf Herstellungsfehler
- Geerdet

INSTALLATION DER ERDUNG (ZEICHNUNG 1)

1. Bevor Sie die Kunststoff-Zugentlastung (4) am Massebolzen (1) anbringen, müssen Sie erst das Kabel (2) durch die Zugentlastung (4) ziehen. Die Zugentlastung (4) in ca. 10 cm Abstand zu Ose (2) des Massekabels anbringen.
2. Die Ose (2) von Kabel über Massebolzen anbringen, der am Gehäuse befestigt ist.
3. Anschließend eine Spannscheibe (3) anbringen.
4. Zugentlastung (4) befestigen, so dass eine Schleife von O 5 cm entsteht.
5. Zuletzt die zweite Sicherungsscheibe (5) und die Sicherungsmutter (6) an Massebolzen anbringen.
6. Wenn die Teile in der richtigen Reihenfolge an Massebolzen angebracht wurden, kann dieser mit einem 8er Steck- oder Ringschlüssel festgezogen werden.

INSTALLATION DES GERÄTS (ZEICHNUNG 2)

Die Stelle bestimmen, an der das Gerät angebracht werden soll. Installieren Sie den Blue Lagoon Pro UV-C auf keinen Fall unmittelbar nach dem pH-Regler oder dem Salzelektrolysesystem an Ihrer Schwimmbadanlage. Am besten geeignet für die Installation ist die Stelle unmittelbar nach dem Filter. Siehe hierzu die Zeichnung in der Bedienungsanleitung. Das Gerät immer außerhalb des Schwimmbads installieren. Dafür sorgen, dass immer Wasser durch die Einheit strömt, wenn die Lampe brennt. Das Gerät nie in der vollen Sonne installieren. Grundsätzlich in einem trockenen, gut belüfteten Raum installieren. Das Gerät kann horizontal als auch vertikal installiert werden sofern sichergestellt ist, dass der Wasserdurchfluss von unten nach oben geht (siehe hierzu Zeichnung in der Gebrauchsanleitung) dabei muss an der Unterseite 30 cm Platz für eventuelle Wartungsarbeiten bleiben. An der Oberseite muss ca. 1,5 m Platz bleiben, damit die Lampe (K) problemlos ausgewechselt werden kann, ohne dass das ganze Gerät abgebaut werden muss.

1. Die Stelle bestimmen, an der das Gerät installiert werden soll. Dafür sorgen, dass genug Platz bleibt (ca. 1 Meter), um Lampe (K)/Quarzglas (M) zu entfernen (für Austausch und/oder Wartung).
2. Das UV-C-Gerät an einer festen Stellen anbringen; das Gerät eventuell mit Rohrschellen (gehören nicht zum Lieferumfang) an einer stabilen Rückwand befestigen.
3. Das Gerät im Kreis anbringen. Die Klebemuffe (I) für den Durchflussschalter (X) muss mit nach oben weisendem Gewinde (W) verklebt werden (siehe Zeichnung 2). Der kleine Pfeil oben an Durchflussschalter (X) muss immer in die Strömungsrichtung des Wassers gerichtet sein. Wenn er gegen die Strömungsrichtung des Wassers weist, bleibt das Blue Lagoon Pro UV-C-Gerät ausgeschaltet.
4. Den Schraubring (N) der Lampe oben auf dem Gehäuse vom Gehäuse (U) abschrauben. Schieb das Quarzglas (M) vorsichtig in das Gehäuse (U). Setzen Sie den O-Ring (T) in der richtigen Position in Bezug auf das Quarzglas.
5. Die UV-C-Lampe (K) aus dem mitgelieferten Köcher (siehe Verpackung) nehmen und die Lampe vorsichtig in das Quarzglas (M) schieben. Die weiße Lampenfassung (L) vorsichtig mit der UV-C-Lampe (K) verbinden und anschließend den Schraubring (N) handfest auf das Gehäuse (U)

- schrauben. Dabei auf die richtige Lage von O-Ring (T) für das Quarzglas achten.
6. Die Pumpe in Betrieb setzen und das System auf Durchfluss und Dichtheit prüfen.
 7. Den Stecker des UV-C-Geräts in eine Schukosteckdose mit Erdschlussschalter stecken. Durch die transparenten Teile des Geräts prüfen, ob die Lampe brennt. Um das Gerät auszuschalten, ziehen Sie den Stecker aus der Steckdose.

GEBRAUCHSANWEISUNG FÜR DEN DIGITALEN STUNDENZÄHLER

Wenn der Blue Lagoon Pro UV-C eingeschaltet ist, führt das Programm einen Selbsttest aus. Auf dem Display erscheinen automatisch nacheinander folgende Anzeigen: 8888 (Displaytest) ; r und Softwareversionsnummer ; 50H oder 60H Anzeige der Netzfrequenz.
Anschließend erscheint auf dem Display der Zählerstand.

Wenn die UV-C-Lampe das erste Mal eingeschaltet wird oder nachdem die "Reset"-Funktion ausgeführt wurde, erscheint der Wert "9000" auf dem Display. Bei der Ziffer ganz rechts auf dem Display blinkt im Sekundentakt ein Punkt, der anzeigt, dass der Zähler läuft.

Auf dem Display wird automatisch der werkseitig eingestellte Zählerstand von 9000 Stunden angezeigt. Bis 9000 Stunden erreicht die UV-C-Lampe 100% ihrer wirksamen Strahlung. Nach 9000 Stunden wird die Strahlung schwächer und reicht möglicherweise nicht mehr aus, um das gewünschte Ergebnis zu erzielen. Wenn Sie die UV-C-Lampe schon länger verwenden und diese schon einmal eingeschaltet war, zeigt das Display nach dem Einschalten wieder den Wert an, der dort vor dem Ausschalten der UV-C-Lampe stand. Wenn Sie den Stundenzählerstand selbst erhöht oder verringert haben, wird der letzte Zählerstand angezeigt, der vor dem Ausschalten auf dem Display stand.

Sie können die Einstellungen des Stundenzählers ggf. ändern. Dabei gehen Sie folgendermaßen vor:

Wenn Sie den Schalter (R) unter dem Display 5 Sekunden eingedrückt halten, erscheint auf dem Display "rSt", um anzuzeigen, dass das Benutzermenü gewählt wurde. Nach Loslassen des Schalters (R) blinken auf dem Display abwechselnd der Zählerstand und "rSt". Wenn jetzt der Schalter kurz eingedrückt wird, werden die Möglichkeiten des Menüs durchlaufen. Das Menü enthält drei Einstellmöglichkeiten: "rSt" "UP" und "dn".

- "rSt" bedeutet (reset): Damit wird der Zählerstand auf die Werkseinstellung von 9000 Stunden zurückgesetzt.
Diese Wahl wird auf dem Display durch abwechselndes Blinken von Zählerstand und "rSt" bestätigt. Wenn Sie den Schalter (R) 5 Sekunden eingedrückt halten (Zählerstand 9000 wird angezeigt) und dann wieder loslassen, beginnt der Stundenzähler von der Stundenzahl 9000 aus rückwärts zu zählen. Diese Option wählen Sie, wenn Sie z.B. die Lampe ausgetauscht haben oder wenn Sie den Zählerstand selbst geändert haben und ihn wieder auf die Werkseinstellung zurücksetzen wollen.
- "UP" bedeutet (up): Hiermit können Sie den Zählerstand auf den gewünschten Zählerstand

erhöhen.

Diese Wahl wird auf dem Display durch abwechselndes Blinken der gewählten Benutzereinstellung "UP" und des Zählerstands bestätigt. Anschließend müssen Sie den Schalter (R) 5 Sekunden eingedrückt halten. Nach 5 Sekunden steht auf dem Display nur noch "UP". Jetzt müssen Sie den Schalter loslassen.

Durch kurzes Eindrücken des Schalters kann der Zählerwert ab 9000 in Schritten von 500 Stunden auf maximal 9999 erhöht werden. Der erhöhte Wert blinkt auf dem Display abwechselnd mit "UP".

Wenn der gewünschte Zählerstand erreicht ist, warten Sie 10 Sekunden. Nach 10 Sekunden erscheint die gewählte Stundenzahl, und der Pro beginnt rückwärts zu zählen.

Wenn Sie sich z.B. beim Erhöhen des Zählerstands geirrt haben, können Sie den Zähler wieder auf 9000 zurücksetzen, indem Sie den Schalter 5 Sekunden eingedrückt halten. Der Zählerstand beträgt dann wieder 9000, und es kann ein neuer Wert eingestellt werden.

- "dn" bedeutet (down): Hiermit können Sie den Zählerstand auf die gewünschte Stundenzahl verringern.

Diese Wahl wird auf dem Display durch abwechselndes Blinken der gewählten Benutzereinstellung "dn" und des Zählerstandes bestätigt. Anschließend müssen Sie den Schalter (R) 5 Sekunden eingedrückt halten. Nach 5 Sekunden steht auf dem Display nur noch "dn". Jetzt müssen Sie den Schalter loslassen.

Durch kurzes Eindrücken des Schalters kann der Zählerstand ab 9000 in Schritten von 500 Stunden auf minimal 0000 verringert werden. Der verringerte Wert blinkt auf dem Display abwechselnd mit "dn".

Wenn der gewünschte Zählerstand erreicht ist, warten Sie 10 Sekunden. Nach 10 Sekunden erscheint die gewählte Stundenzahl, und der Pro beginnt rückwärts zu zählen.

Wenn Sie sich z.B. beim Verringern des Zählerstands geirrt haben, können Sie den Zähler wieder auf 9000 zurücksetzen, indem Sie den Schalter 5 Sekunden eingedrückt halten. Der Zählerstand beträgt dann wieder 9000, und es kann ein neuer Wert eingestellt werden.

Der Stundenzähler zeigt auf die folgende Weise an, dass die Lampe ausgetauscht werden muss.

- Ab Zählerstand 0672: Display blinkt im Sekundentakt. Die Lampe muss in 4 Wochen ausgetauscht werden.
- Ab Zählerstand 0336: Display blinkt alle halbe Sekunde. Die Lampe muss in 2 Wochen ausgetauscht werden.
- Ab Zählerstand 0168: Display blinkt alle 1/4 Sekunde. Die Lampe muss in 1 Woche ausgetauscht werden.
- Bei einem Zählerstand von 0000 blinken die Ziffern in hohem Tempo weiter, und der Zähler zählt nicht mehr zurück. Die Lampe muss ausgetauscht werden.

DEMONTAGE/WARTUNG

Bei Demontage/Wartung des Geräts grundsätzlich erst die Stromzufuhr ausschalten.

Das Gerät muss 2-mal im Jahr gereinigt werden. Wenn Algenwachstum und/oder Kalkablagerungen zunehmen, muss die Quarzglasröhre (M), in der die Lampe steckt, gereinigt werden. Die Speziallampe muss nach 9000 Brennstunden ausgetauscht werden. Die Edelstahl-Innenverkleidung mit einer weichen Bürste reinigen.

1. Das Wasser aus dem Gerät strömen lassen.
2. Den Schraubring (N) abschrauben und die Lampe (K) von der Lampenfassung (L) trennen. Die Lampe aus dem Quarzglas nehmen und erforderlichenfalls die Speziallampe (K) austauschen. Vorsicht ist geboten, weil es sich hier um sehr empfindliche Teile handelt.
3. Das Quarzglas (M) vorsichtig entfernen (siehe Zeichnung 3). Auf keinen Fall gewaltsam vorgehen!
4. Das Quarzglas mit einem geeigneten Mittel reinigen. Zum Reinigen des Quarzglases immer ein weiches Tuch verwenden und Kratzer vermeiden.
5. Die Lampe vorsichtig wieder in das Quarzglas einsetzen, den O-Ring (T) wieder am Quarzglas anbringen und die Lampe (K) mit der Lampenfassung (L) verbinden. Schraubring (N) wieder auf das Gehäuse schrauben.
6. Der elektrische Teil des Geräts befindet sich im Displaygehäuse (S) am Gerät. Das Displaygehäuse ist geklebt und kann nicht geöffnet werden. Zum Auswechseln des elektrischen Teils oder des Displays muss das ganze Gehäuse losgeschraubt und die Verkabelung des Geräts gelöst werden (siehe Zeichnung 1). Die verschiedenen Einzelteile, z.B. für die Erdung, immer gut aufbewahren. Diese Teile werden nicht mit einem neuen Gehäuse oder elektrischen Teil mitgeliefert. Im Zweifelsfall für den Anschluss einen anerkannten Installateur hinzuziehen.
7. Wenn das Gehäuse ausgetauscht werden soll, müssen erst die Erdung (J) und der elektrische Teil mit Display (S) vom Gehäuse (U) gelöst werden (siehe Zeichnung 1 & 2). Elektrischen Teil mit Display (S) und Lampenfassung vom Gehäuse abschrauben. Die verschiedenen Einzelteile der Erdung immer gut aufbewahren. Sie werden nicht mit einem neuen Gehäuse mitgeliefert. Lampe (K) und Quarzglas (M) aus dem Gehäuse entfernen, um Bruchschäden beim Transport zu vermeiden. Im Zweifelsfall für den Anschluss einen anerkannten Installateur hinzuziehen.

	PRO UV-C 75W	PRO UV-C 130W AMALGAM
Typ	75.000 /75W	150.000 /130W
Trafo	230V AC 50/60Hz	230V AC 50/60Hz
Maximale Stromversorgung	0,57A	1,1A
Artikelnummer	BP02752	BP02132
Leuchtmittel Watt	75W	130W
EAN	8714404038669	8714404038676
Leuchtmittel	Philips TUV 36T5 HO 4P-SE (75 Watt)	Philips TUV 130 Watt 4P-SE Amalgam
Empfohlener Durchfluss 30mJ/cm ²	18 m ³ /h	22 m ³ /h
Maximaler Druck	5 Bar	5 Bar
Lebenserwartung Leuchtmittel	9.000 h	12.000 h
Maximaler Wasserdurchfluß	23 m ³ /h	23 m ³ /h
Durchmesser Ein- und Ausgang	114 mm	114 mm
Länge Gerät	2" Außengewinde	2" Außengewinde
Edelstahl	100 cm	100 cm
Stainless steel	316L	316L
Zeitschaltuhr	✓	✓
Durchflussschalter	✓	✓
Meldung Leuchtmittel ersetzen	✓	✓

TYP UV-C-SYSTEME

Artikelnummer: BP02752 Blue Lagoon Pro UV-C 75W e (230V; 50/60Hz)

Artikelnummer: BP02132 Blue Lagoon Pro UV-C 130W Amalgam (230V; 50/60Hz)

Artikelnummer: BP02751 Blue Lagoon Pro UV-C 75W (120V; 50/60Hz)

Artikelnummer: BP02131 Blue Lagoon Pro UV-C 130W Amalgam (120V; 50/60Hz)

ERSATZLAMPEN

Artikelnummer: E800902 Philips-Lampe Typ TUV 36T5 HO 4P-SE (75 Watt)

Artikelnummer: E800904 Philip-Lampe Typ TUV 130 Watt 4P-SE Amalgam (130 Watt)



Avant d'installer cet appareil, lire attentivement cette notice d'utilisation.

FR

FONCTIONNEMENT

Dans le Blue Lagoon Pro UV-C, un rayonnement UV-C d'une longueur d'onde de 253,7 nm est généré par la lampe UV spéciale, ce qui détruit les bactéries (comme la bactérie de la légionellose (maladie des vétérans/légionnaires)). Le Blue Lagoon Pro UV-C garantit, de manière efficace et écologique, une eau propre, fraîche et limpide. L'eau est acheminée dans l'appareil UV-C au moyen d'une pompe. Le rayonnement UV-C neutralise les bactéries, les virus et d'autres organismes primitifs et empêche leur prolifération. Le Blue Lagoon Pro UV-C est doté d'un ballast électronique haute fréquence intégré. Ce ballast absorbe les fluctuations de courant et protège ainsi la lampe. L'appareil comporte également un compteur horaire qui enregistre avec précision le nombre d'heures de service de la lampe. Vous voyez ainsi exactement quand il faut remplacer la lampe. De plus, la section interne en acier inoxydable provoque une réflexion du rayonnement UV-C, ce qui augmente l'efficacité jusqu'à 35%. Grâce au Blue Lagoon Pro UV-C, votre eau est désinfectée de manière efficace et sûre et la qualité de votre eau reste excellente.

AVANTAGES DU TRAITEMENT UV-C :

- Garantit une eau fraîche, propre et limpide
- Désinfecte l'eau de manière efficace et sûre
- La lumière UV-C casse les liaisons chlorées
- Protège votre piscine contre les germes pathogènes
- Maîtrise la formation des moisissures, des bactéries et des algues
- Peut réduire de 80% l'utilisation de chlore et d'autres produits chimiques
- Evite l'apparition d'air chloré et l'irritation des yeux et de la peau (yeux rouges)
- Ménage l'environnement en comparaison avec les méthodes classiques

AVANTAGES DU BLUE LAGOON PRO UV-C :

- Ballast électronique intégré, pour une alimentation en courant uniforme
- Rendement UV-C jusqu'à 35% supérieur grâce à la réflexion
- Doté d'un contacteur de flux qui désactive l'appareil dès que l'eau ne circule plus
- Compteur horaire réglable et intégré pour la lampe UV-C
- Indique numériquement le moment où la lampe doit être remplacée
- Logement en acier inoxydable 316L
- Installation et entretien aisés
- 2 ans de garantie sur les vices de fabrication
- Doté d'une mise à la terre

INSTALLATION DU CÂBLE DE MISE À LA TERRE (FIGURE 1)

1. Avant de monter le serre-cable plastique (4) sur la vis de mise a la terre (1), il faut tirer le cable (2) a travers le serre-cable (4). Placer le serre-cable (4) a environ 10 cm de l'oeil (2) du cable de mise a la terre.
2. Placer l'oeil (2) du cable sur la vis de mise a la terre fixee sur le logement.
3. Placer ensuite une bague de retenue dentee (3).
4. Fixer le serre-cable (4) de sorte a constituer une boucle de O 5 cm.
5. En dernier lieu, poser la deuxieme bague de retenue dentee (5) et l'ecrou autobloquant (6) sur le boulon de mise a la terre.
6. Lorsque les pieces sont placees dans l'ordre correct sur le boulon de mise a la terre, elles peuvent etre serrees au moyen d'une cle a fourche ou polygonale numero 8.

INSTALLATION DE L'APPAREIL (FIGURE 2)

Déterminer la position souhaitée de l'appareil. Il est interdit de placer le Blue Lagoon Pro UV-C directement en aval du régulateur de PH ou du système d'électrolyse de sel de la piscine. L'emplacement idéal pour l'appareil est directement en aval du filtre. Voir le rendu graphique dans le manuel d'installation. Toujours l'installer à l'extérieur de la piscine. Veiller à ce que de l'eau circule toujours à travers l'unité lorsque la lampe est allumée. Ne jamais installer l'appareil en plein soleil. Toujours installer l'appareil dans un local sec et bien ventilé. On peut installer l'appareil aussi horizontalement que verticalement à condition que le débit de l'eau va de bas en haut (Voir le rendu graphique dans le manuel d'installation), en laissant un espace de 30 cm à la partie inférieure pour un entretien éventuel. A la partie supérieure, il faut laisser un espace d'env. 1,5 m afin de pouvoir remplacer sans problème la lampe (K) sans devoir démonter l'ensemble de l'appareil.

1. Déterminer la position souhaitée de l'appareil. Veiller à laisser suffisamment d'espace (+/- 1 m.) afin de pouvoir procéder au remplacement et/ou à l'entretien de la lampe (K)/du verre de quartz (M).
2. Monter l'unité UV-C en un endroit ferme, fixer éventuellement l'unité avec des pinces de tube (non livrées) sur une paroi arrière solide.
3. Monter l'unité dans le circuit. La gaine de colle (I) pour le contacteur de flux (X) doit être collée avec le filetage (W) dirigé vers le haut (voir figure 2). La flèche sur le contacteur de flux (X) doit toujours être dirigée dans le sens de circulation de l'eau. Si cette flèche pointe dans la direction opposée au sens de circulation de l'eau, le Blue Lagoon Pro UV-C reste désactivé
4. Dévisser la bague à vis (N) de la lampe au sommet du logement (U). Placez délicatement le verre de quartz (M) dans le logement (U). Placez le joint torique (T) dans la bonne position en ce qui concerne le verre de quartz.
5. Sortir la lampe UV-C (K) de l'étui livré (voir emballage) et glisser la lampe avec précaution dans le verre de quartz (M). Coupler avec précaution le culot de lampe blanc (L) à la lampe UV-C (K) et visser ensuite la bague à vis (N) à la main sur le logement (U). Lors de cette opération, veiller au positionnement correct du joint torique (T) par rapport au verre de quartz.
6. Activer la pompe et s'assurer que l'eau circule dans le système et qu'il n'y a pas de fuites.

- Insérer la fiche de l'appareil UV-C dans une prise murale avec mise à la terre et dotée d'un interrupteur de défaut de terre. S'assurer que la lampe est allumée par le biais des pièces transparentes de l'appareil. Pour désactiver complètement l'appareil, retirer la fiche de la prise murale.

MODE D'EMPLOI DU COMPTEUR HORAIRE NUMÉRIQUE

Lorsque le Blue Lagoon Pro UV-C est activé, le programme procède à un autodiagnostic. L'écran affiche automatiquement et successivement les indications suivantes : 8888 : test de l'écran ; r et numéro de version du logiciel ; 50H ou 60H, indication de la fréquence du réseau. Ensuite, l'écran affiche le statut du compteur.

Lorsque la lampe UVC est activée pour la première fois ou après utilisation de la fonction "réinitialisation", la valeur 9000 s'affiche sur l'écran. A proximité du chiffre à l'extrême droite de l'écran, un point clignote chaque seconde pour indiquer que le compteur est en service. L'écran affiche automatiquement la valeur de compteur 9000 heures réglée en usine. Jusqu'à 9000 heures, le rayonnement de la lampe UV-C agit à 100%. Après 9000 heures, le rayonnement décroît et peut être insuffisant pour obtenir les résultats souhaités.

Si la lampe UVC est utilisée depuis un certain temps déjà et si elle est désactivée, l'écran affiche, après la réactivation, la valeur consignée avant la désactivation de la lampe UV-C. Si la valeur du compteur horaire a été augmentée ou diminuée par l'utilisateur, la dernière valeur avant sa désactivation s'affiche.

Le cas échéant, il est possible de modifier les réglages du compteur horaire. Procéder comme suit : Après avoir maintenu enfoncé durant 5 secondes l'interrupteur (R) sous l'écran, ce dernier affiche "rSt" pour indiquer que le menu utilisateur a été sélectionné. Après avoir relâché l'interrupteur (R), la valeur du compteur et "rSt" clignotent sur l'écran. En appuyant ensuite brièvement sur l'interrupteur, il est possible de naviguer parmi les paramètres du menu. Il existe 3 possibilités de paramétrage : "rSt" "UP" et "dn".

- "rSt" signifie (reset) : permet de remettre le compteur horaire sur la valeur usine de 9000 heures. Cette sélection est confirmée par le clignotement successif de la valeur du compteur et de "rSt" sur l'écran. Si l'interrupteur (R) est maintenu enfoncé durant 5 secondes, ce qui entraîne l'affichage de la valeur 9000, et est ensuite relâché, le compteur horaire commence le compte à rebours à partir de la valeur 9000 heures. Cette sélection est utilisée par exemple après le remplacement de la lampe ou après modification de la valeur du compteur et retour à la valeur usine.
- "UP" signifie (up) : permet d'augmenter la valeur du compteur à celle souhaitée. Cette sélection est confirmée par le clignotement successif sur l'écran du paramètre utilisateur sélectionné "UP" et de la valeur horaire. Ensuite, tenir l'interrupteur (R) enfoncé durant 5 secondes. Après 5 secondes, l'écran n'affiche plus que "UP". Il faut alors relâcher l'interrupteur. En enfonçant brièvement l'interrupteur, la valeur du compteur peut être augmentée par paliers.

de 500 heures à partir de 9000 jusqu'à une valeur maximale de 9999. La valeur augmentée et "UP" clignotent successivement sur l'écran.

Lorsque la valeur voulue est sélectionnée, attendre 10 secondes. Après 10 secondes, la valeur sélectionnée s'affiche sur l'écran et le compte à rebours commence.

Si, durant l'augmentation de la valeur horaire, une erreur est commise, il est possible de remettre la valeur du compteur horaire sur 9000 en maintenant l'interrupteur enfoncé durant 5 secondes. La valeur horaire repasse alors à 9000 et une nouvelle valeur peut être réglée.

- "dn" signifie (down): permet de diminuer la valeur du compteur à celle souhaitée. Cette sélection est confirmée par le clignotement successif sur l'écran du paramètre utilisateur sélectionné "dn" et de la valeur horaire. Ensuite, tenir l'interrupteur (R) enfoncé durant 5 secondes. Après 5 secondes, l'écran n'affiche plus que "dn". Il faut alors relâcher l'interrupteur. En enfonçant brièvement l'interrupteur, la valeur du compteur peut être diminuée par paliers de 500 heures à partir de 9000 jusqu'à une valeur minimale de 0000. La valeur réduite et "dn" clignotent successivement sur l'écran. Lorsque la valeur voulue est sélectionnée, attendre 10 secondes. Après 10 secondes, la valeur sélectionnée s'affiche sur l'écran et le compte à rebours commence. Si, durant la diminution de la valeur horaire, une erreur est commise, il est possible de remettre la valeur du compteur horaire sur 9000 en maintenant l'interrupteur enfoncé durant 5 secondes. La valeur horaire repasse alors à 9000 et une nouvelle valeur peut être réglée.

Le compteur horaire indique comme suit que le remplacement de la lampe s'impose :

- Dès la valeur horaire 0672 : l'écran clignote chaque seconde. La lampe doit être remplacée dans 4 semaines.
- Dès la valeur horaire 0336 : l'écran clignote chaque demi seconde. La lampe doit être remplacée dans 2 semaines.
- Dès la valeur horaire 0168 : l'écran clignote chaque quart de seconde. La lampe doit être remplacée dans 1 semaine.
- A la valeur horaire 0000 : les chiffres clignotent rapidement et constamment et le compte à rebours est terminé. La lampe doit être remplacée.

DÉMONTAGE/ENTRETIEN

Lors du démontage/de l'entretien de l'appareil, toujours couper l'alimentation de courant. L'appareil doit être nettoyé 2 fois par an. Lorsque la croissance des algues et/ou l'entartrage augmente, il faut nettoyer le tube en verre de quartz (M) dans lequel la lampe est insérée. La lampe UV-C spéciale doit être remplacée après 4 500 heures de service. La section intérieure en acier inoxydable se nettoie avec une brosse douce.

1. Laisser s'écouler l'eau hors de l'appareil.
2. Desserrer la bague à vis (N) et désolidariser la lampe (K) du colot de lampe (L). Retirer la lampe du verre de quartz et, le cas échéant, remplacer la lampe spéciale (K). Procéder avec prudence

étant donné que ces pièces sont particulièrement fragiles.

3. Déposer avec précaution le verre de quartz (M) (voir figure 3). Ne jamais forcer !
4. Nettoyer le verre de quartz avec un produit approprié. Toujours utiliser un chiffon doux pour nettoyer le verre, éviter toute rayure.
5. Poser avec précaution la lampe dans le verre de quartz, poser à nouveau le joint torique (T) sur le verre de quartz et coupler la lampe (K) au culot de lampe (L). Visser à nouveau la bague à vis (N) sur le logement.
6. La section électrique de l'appareil se trouve dans le boîtier de l'écran (S). Ce boîtier est collé et impossible à ouvrir. Lors du remplacement de la section électrique, il faut dévisser le boîtier complet et détacher le câblage de l'appareil (voir figure 1). Veiller à conserver soigneusement les diverses pièces telles la mise à la terre, etc. Celles-ci ne sont pas livrées avec un logement neuf ou une section électrique neuve. En cas de doute concernant le branchement, consulter un installateur agréé.
7. En cas de remplacement du logement, il faut d'abord détacher la mise à la terre (J) et la section électrique avec l'écran (S) du logement (U) (voir figures 1 & 2). Dévisser la section électrique avec l'écran (S) et le culot de lampe du logement. Veiller à conserver soigneusement les diverses pièces de la mise à la terre. Celles-ci ne sont pas livrées avec un logement neuf. Retirer la lampe (K) et le verre de quartz (M) du logement afin d'éviter toute brisure lors du transport. En cas de doute concernant le branchement, consulter un installateur agréé.

	PRO UV-C 75W	PRO UV-C 130W AMALGAM
Type	75.000 /75W	150.000 /130W
Ballast électrique	230V AC 50/60Hz	230V AC 50/60Hz
Courant maximum	0,57A	1,1A
Nro. d'article	BP02752	BP02132
Wattage lampe	75W	130W
Code à barres	8714404038669	8714404038676
Lampe	Philips TUV 36T5HO 4P-SE (75 Watt)	Philips TUV 130 Watt 4P-SE Amalgam
Débit conseillé pour 30 mJ/cm ²	18 m ³ /h	22 m ³ /h
Pression maximale	5 bar	5 bar
Durée de vie de la lampe	9.000 h	12.000 h
Débit maximale	23 m ³ /h	23 m ³ /h
Diamètre appareil	114 mm	114 mm
Diamètre entrée et sortie	2" Filetage mâle	2" Filetage mâle
Longueur appareil	100 cm	100 cm
Inox	316L	316L
Programmateur	✓	✓
Contacteur débitmétrique	✓	✓
Message remplacer lampe	✓	✓

TYPE DE SYSTÈMES UV-C

Référence : BP02752 Blue Lagoon Pro UV-C 75W e (230V; 50/60Hz)

Référence : BP02132 Blue Lagoon Pro UV-C 130W Amalgam (230V; 50/60Hz)

Référence : BP02751 Blue Lagoon Pro UV-C 75W (120V; 50/60Hz)

Référence : BP02131 Blue Lagoon Pro UV-C 130W Amalgam (120V; 50/60Hz)

FR

LAMPES

Référence : E800902 Lampe Philips type TUV 36T5 HO 4P-SE (75 watts)

Référence : E800904 Lampe Philips type TUV 130 watts 4P-SE Amalgam (130 watts)



Leest u voor het installeren van dit apparaat eerst zorgvuldig deze gebruiksaanwijzing.

WERKING

In de Blue Lagoon Pro UV-C wordt een UV-C straling gegenereerd van 253,7 nm golflengte door de speciale UV lamp, welke zorgt voor een dodende werking op bacteriën (o.a. de legionella bacterie). De Blue Lagoon Pro UV-C zorgt op een efficiënte en milieuvriendelijke wijze voor schoon, fris en helder water. Het water wordt d.m.v. een pomp door het UV-C apparaat gevoerd. De UV-C straling neutraliseert bacteriën, virussen en andere primitieve organismen en stopt de voortplanting ervan. De Blue Lagoon Pro UV-C heeft een ingebouwde hoogfrequente elektronische ballast. Deze ballast vangt stroomschommelingen op en beschermt hiermee de lamp. Ook bevat het apparaat een geïntegreerde urenteller die nauwkeurig het aantal branduren bijhoudt. U kunt precies zien wanneer de lamp moet worden vervangen. Bovendien zorgt de RVS binnenzijde voor reflectie van de UV-C straling waardoor de efficiency tot 35% wordt vergroot. Dankzij de Blue Lagoon Pro UV-C zal uw water op een efficiënte en veilige wijze worden gedesinfecteerd en behoudt u een uitstekende waterkwaliteit.

VOORDELEN VAN UV-C BEHANDELING:

- Zorgt voor fris, schoon en helder water
- Desinfecteert water op een efficiënte en veilige manier
- UV-C licht breekt gebonden chloor af
- Beschermt uw bad tegen ziektekiemen
- Houdt schimmel-, bacterie- en algenvorming onder controle
- Kan het gebruik van chloor en andere chemicaliën tot 80% verminderen
- Voorkomt chloorlucht en irritatie aan huid en ogen (rode ogen)
- Beter voor het milieu in vergelijking met traditionele methoden

VOORDELEN VAN BLUE LAGOON PRO UV-C:

- Ingebouwde elektronisch voorschakelapparaat, voor een gelijkmatige stroomvoorziening.
- Tot 35% meer UV-C opbrengst door reflectie
- Een flow switch welke het apparaat uitschakelt zodra er geen water doorstroomt
- Geïntegreerde instelbare urenteller voor de UV-C lamp
- Geeft digitaal aan wanneer lamp moet worden vervangen
- 316L roestvrijstalen behuizing
- Eenvoudige installatie en onderhoud
- 2 jaar garantie op fabricagefouten
- Is geaard

INSTALLATIE AARDING (TEKENING 1)

1. Voordat u de kunststof trekontlasting (F) op de aardingsbout (A) monteert dient u eerst de kabel (B) door de trekontlasting (F) te halen. Plaats de trekontlasting (F) op ongeveer 10cm afstand van het oog (H) van de aardingskabel (B).
2. Plaats het oog (H) van de kabel (B) over de aardingsbout (A) die op de behuizing is bevestigd.
3. Plaats vervolgens een tandveerring (C), zeskantsmoer (D) en weer een tandveerring (E) op het oog (H).
4. Bevestig de trekontlasting (F) er bovenop zodat er een lus van \varnothing 5cm ontstaat.
5. Als laatste de borgmoer (G) op de aardingsbout (A) plaatsen.
6. Als de diverse moeren op de juiste volgorde op de aardingsbout (A) zijn geplaatst kan dit met een steek-, of ringsleutel nummer 8, vastgedraaid worden. Zorg ervoor dat het niet te vast wordt aangedraaid, want dan kan de trekontlasting scheuren. (De transparante moer die bij aanlevering op de aardingsbout (A) geschroefd is, heeft verder geen functie en kan weggegooid worden).

INSTALLATIE APPARAAT (TEKENING 2)

Bepaal de gewenste plaats om het apparaat te monteren. Installeer de Blue Lagoon Pro UV-C nooit direct na de ph regelaar of zout elektrolyse systeem op uw zwembadinstallatie. De beste plaats om het apparaat te installeren is direct na de filter. Zie een schematische weergave voor in de gebruiksaanwijzing. Installatie altijd buiten het bad. Zorg ervoor dat er altijd water door de unit stroomt als de lamp brandt. Installeer het apparaat nooit in de volle zon. Installatie altijd in een droge en goed geventileerde ruimte. Het apparaat kan zowel horizontaal als verticaal geïnstalleerd worden mits de waterstroom van onder naar boven gaat. (zie schematische weergave voor in de gebruiksaanwijzing). Aan de bovenzijde moet ca. 1,5 m ruimte zijn om de lamp (K) probleemloos te kunnen vervangen zonder het hele apparaat te hoeven losmaken.

1. Bepaal de gewenste positie om het apparaat te installeren. Zorg ervoor dat er voldoende ruimte (+/- 1 mtr.) over blijft om de lamp (K)/ kwartsglas (M) te verwijderen voor vervanging en/of onderhoud.
2. Monteer de UV-C unit op een vaste plaats, bevestig de unit eventueel met buisklemmen (niet meegeleverd) aan een stevige achterwand.
3. Monteer de unit in het circuit. De lijmsok (I) t.b.v de flow switch (X) dient verlijmd te worden met de schroefdraad (W) naar boven gericht. Het pijltje bovenop de flow switch (X) dient altijd richting de stroomrichting van het water te staan. Wanneer deze tegen de stroomrichting van het water in staat zal de Blue Lagoon Pro UV-C uitgeschakeld blijven.
4. Draai de schroefring (N) van de lamp boven op de behuizing los (U). Schuif het kwartsglas (M) voorzichtig in de behuizing (U). Plaats de o-ring (T) op juiste positie tbv kwartsglas.
5. Haal de UV-C lamp (K) uit de bijgeleverde koker (zie verpakking) en schuif de lamp voorzichtig in het kwartsglas (M). Koppel de lamphouder (L) voorzichtig aan de UV-C lamp (K) en schroef daarna de schroefring (N) handvast op de behuizing (U). Let hier bij goed op de juiste positie van de o-ring (T) tbv kwartsglas.

6. Stel de pomp in werking en controleer het systeem op doorstroom en lekkage.
7. Stop de stekker van het UV-C apparaat in een wandstopcontact met randaarde en voorzien van aardlekschakelaar. U schakelt het apparaat uit door de stekker uit het stopcontact te trekken.

GEBRUIKSAANWIJZING DIGITALE URENTELLER

Als de Blue Lagoon Pro UV-C is ingeschakeld gaat het programma zich zelf testen. De display geeft de volgende indicaties automatisch na elkaar: 8888 (display test) ; r en software versie nummer; 50H of 60H indicatie van de netfrequentie
Daarna springt de display op de tellerstand.

Als de UVC lamp voor het eerst is ingeschakeld of nadat de "reset" functie is gebruikt, dan zal de waarde 9000 in de display verschijnen. Bij het meest rechtse cijfer op de display knippert elke seconde een punt die aangeeft dat de teller loopt.

De display staat automatisch op de door de fabriek ingestelde tellerstand van 9000 uur. Tot 9000 uur heeft de UV-C lamp 100% zijn werkende straling. Na 9000 uur zwakt de straling af en kan onvoldoende zijn om tot de gewenste resultaten te komen.

Indien u de UVC lamp al langer gebruikt en deze al eens eerder ingeschakeld is geweest zal de display na het inschakelen de waarde weergeven die de hij had voordat de UV-C lamp werd uitgeschakeld. Indien u de stand van de urenteller zelf heeft verhoogd of verlaagd dan wordt de laatste teller stand weergegeven die de display had voordat hij werd uitgeschakeld.

U kunt de instellingen van de urenteller indien gewenst wijzigen. Dit doet u als volgt:

Na het 5 seconden ingedrukt houden van de schakelaar (R) onder de display geeft de display "rSt" aan ter indicatie dat het gebruiker menu geselecteerd is. Na het loslaten van de schakelaar (R) knipperen de tellerstand en "rSt" afwisselend op de display. Door hierna de schakelaar kort in te drukken wordt door het mogelijkheden van het menu gestapt. Er zijn 3 instelmogelijkheden in het menu "rSt" "UP" en "dn".

- "rSt" betekent (reset): hiermee zet je de tellerstand terug naar de fabrieksinstellingen van 9000 uur.
Deze selectie wordt bevestigd doordat de tellerstand en "rSt" in de display afwisselend knipperen. Als u de schakelaar (R) 5 seconden inhoud, waarna de tellerstand 9000 wordt weergegeven, en vervolgens loslaat, begint de urenteller terug te tellen vanaf de waarde 9000 uur. Deze keuze gebruikt u wanneer u bijvoorbeeld de lamp heeft vervangen of wanneer u de tellerstand zelf heeft gewijzigd en deze weer terug naar de fabrieksinstellingen wilt zetten.
- "UP" betekent (up): hiermee kan de tellerstand verhoogd worden naar de door u gewenste urenstand.
Deze selectie wordt bevestigd doordat de gekozen gebruikersinstelling "UP" en de tellerstand in de display afwisselend knipperen. U dient daarna de schakelaar (R) 5 seconden in te houden. Op de display blijft na 5 seconden alleen nog "UP" in beeld staan. U dient dan de schakelaar los te laten.

Door het kort indrukken van de schakelaar kan de tellerwaarde vanaf 9000 in stappen van 500 uur verhoogd worden tot een maximale waarde van 9999. De verhoogde waarde knippert afwisselend met "UP" op de display.

Indien u de gewenste urenstand heeft geselecteerd wacht u 10 seconden. Na 10 seconden springt de geselecteerde urenstand in beeld en het terugtellen van de Pro is gestart.

Indien u tijdens het verhogen van de tellerstand bijvoorbeeld een vergissing maakt dan kunt u de teller weer terug zetten naar 9000 door de schakelaar 5 seconden in te houden. De tellerwaarde is gereset naar 9000 en er kan een nieuwe waarde worden ingesteld.

- "dn" betekent (down): hiermee kan de tellerstand verlaagd worden naar de door u gewenste urenstand.
Deze selectie wordt bevestigd doordat de gekozen gebruikersinstelling "dn" en de tellerstand in de display afwisselend knipperen. U dient daarna de schakelaar (R) 5 seconden in te houden. Op de display blijft na 5 seconden alleen nog "dn" in beeld staan. U dient dan de schakelaar los te laten.

Door het kort indrukken van de schakelaar kan de tellerwaarde vanaf 9000 in stappen van 500 uur verlaagd worden tot een minimale waarde van 0000. De verlaagde waarde knippert afwisselend met "dn" op de display.

Indien u de gewenste urenstand heeft geselecteerd wacht u 10 seconden. Na 10 seconden springt de geselecteerde urenstand in beeld en het terugtellen van de Pro is gestart.

Indien u tijdens het verlagen van de tellerstand bijvoorbeeld een vergissing maakt dan kunt u de teller weer terug zetten naar 9000 door de schakelaar 5 seconden in te houden. De tellerwaarde is gereset naar 9000 en er kan een nieuwe waarde worden ingesteld.

De urenteller geeft u op de volgende manier aan dat de lamp moet vervangen worden:

- Vanaf urenstand 0672; display knippert om de seconde. De lamp dient over 4 weken vervangen te worden.
- Vanaf urenstand 0336; display knippert om de halve seconde; De lamp dient over 2 weken vervangen te worden.
- Vanaf urenstand 0168; display knippert om ¼ seconde; De lamp dient over 1 week vervangen te worden.
- Bij een urenstand van 0000; blijven de cijfers snel knipperen en zal de teller niet meer verder terugtellen. De lamp dient vervangen te worden.

DEMONTAGE/ONDERHOUD

Bij onderhoud/demontage van het apparaat altijd de stroomtoevoer uitschakelen.

Het apparaat dient minimaal 2 maal per jaar gereinigd te worden. Wanneer de algengroei en/of kalkaanslag toeneemt, moet het kwartsglas (M) waarin de lamp gestoken is, schoongemaakt worden. De UV-C lamp dient na maximaal 9000 branduren vervangen te worden. Het RVS binnenwerk met een zachte borstel schoonmaken.

1. Laat het water uit het apparaat stromen.
2. Schroef de schroefring (N) los en koppel de lamp (K) los van de lamphouder(L). Haal de lamp uit het kwartsglas en vervang indien nodig de speciale lamp (K). Voorzichtigheid is geboden daar het om zeer kwetsbare onderdelen gaat.
3. Verwijder voorzichtig het kwartsglas (M) (zie tekening 3). Nooit forceren!
4. Maak het kwartsglas schoon met een daarvoor geschikt middel. Gebruik altijd een zachte doek om het glas schoon te maken, voorkom krassen.
5. Plaats de lamp voorzichtig terug in het kwartsglas, plaats de o-ring (T) terug op het kwartsglas en koppel de lamp(K) aan de lamphouder(L). Draai de schroefring (N) terug op de behuizing.
6. Het elektrische gedeelte van het apparaat bevindt zich in de displaykast (S) op het apparaat. Deze displaykast is gelijmd en niet te openen. Bij vervanging van het elektrische gedeelte of de display dient de volledige kast losgeschroefd te worden en de bedrading van het apparaat los gemaakt te worden (zie tekening 1).. Let er op dat u de diverse losse onderdelen zoals van de aarding etc. goed bewaart. Deze worden niet met een nieuwe behuizing of elektrisch gedeelte meegeleverd. Bij eventuele twijfel over de aansluiting, een erkende installateur raadplegen.
7. Indien de behuizing moet worden vervangen, dient de aarding (J) en het elektrische gedeelte met display (S) eerst van de behuizing (U) los gemaakt te worden (zie tekening 1 & 2). Schroef het elektrische gedeelte met display (S) en de lamphouder los van de behuizing. Let erop dat u de diverse losse onderdelen van de aarding goed bewaart. Deze worden niet met een nieuwe behuizing meegeleverd. Verwijder de lamp (K) en kwartsglas (M) uit de behuizing om breukschade te voorkomen tijdens transport. Bij eventuele twijfel over de aansluiting, een erkende installateur raadplegen.

AMALGAM	PRO UV-C 75W	PRO UV-C 130W
Type	75.000 /75W	150.000 /130W
Elektronische ballast	230V AC 50/60Hz	230V AC 50/60Hz
Maximale stroom	0,57A	1,1A
Artikelnummer	BP02752	BP02132
Lamp wattage	75W	130W
Barcode	8714404038669	8714404038676
Lamp	Philips TUV 36T5 (75 Watt)	Philips TUV 130 Watt
	HO 4P-SE	4P-SE Amalgam
Geadviseerde flow voor 30 mJ/cm ²	18 m ³ /h	22 m ³ /h
Maximale druk	5 bar	5 bar
Levensduur lamp	9.000 h	12.000 h
Maximale stroom	23 m ³ /h	23 m ³ /h
Diameter unit	114 mm	114 mm
Diameter in- en uitgang	2" Buitendraad	2" Buitendraad
Lengte unit	100 cm	100 cm
Roestvrij staal	316L	316L
Timer	✓	✓
Flow switch	✓	✓
Vervang lamp melding	✓	✓

TYPE UV-C SYSTEMEN

Artikelnummer: BP02752 Blue Lagoon Pro UV-C 75W e (230V; 50/60Hz)

Artikelnummer: BP02132 Blue Lagoon Pro UV-C 130W Amalgam (230V; 50/60Hz)

Artikelnummer: BP02751 Blue Lagoon Pro UV-C 75W (120V; 50/60Hz)

Artikelnummer: BP02131 Blue Lagoon Pro UV-C 130W Amalgam (120V; 50/60Hz)

VERVANGINGSLAMPEN

Artikelnummer: E800902 Philips Lamp type TUV 36T5 HO 4P-SE (75 Watt)

Artikelnummer: E800904 Philips Lamp type TUV 130 Watt 4P-SE Amalgam (130 Watt)



Antes de instalar este aparato se deberán leer detenidamente las presentes instrucciones.

FUNCIONAMIENTO

El aparato Blue Lagoon Pro UV-C genera, por medio de una lámpara UV especial, una radiación UV-C de una longitud de onda de 253,7 nm, la cual se encarga de eliminar las bacterias (entre otras, la legionela). El Blue Lagoon Pro UV-C asegura un agua limpia, fresca y clara de manera eficiente y ecológica. El agua se hace pasar por medio de una bomba por el aparato UV-C. La radiación UV-C neutraliza las bacterias, los virus y otros organismos primitivos y detiene la reproducción de éstos. El Blue Lagoon Pro UV-C lleva incorporado un estabilizador electrónico de alta frecuencia. Este estabilizador amortigua las oscilaciones de la corriente para una mayor protección de la lámpara. El aparato va equipado también con un cuentahoras integrado, el cual registra exactamente el número de horas que la lámpara está encendida. Usted podrá comprobar en cualquier momento cuándo hay que sustituir la lámpara. Además, el interior de acero inoxidable asegura la reflexión de la radiación UV-C, lo que incrementa la eficiencia en un 35%. Gracias al Blue Lagoon Pro UV-C podrá desinfectar el agua de su piscina de manera segura y eficiente, a la vez que mantiene una excelente calidad de ésta.

VENTAJAS DEL TRATAMIENTO CON UV-C:

- Obtención de agua fresca, limpia y clara
- Desinfección del agua de manera eficiente y segura
- La luz UV-C descompone el cloro combinado
- Protección de la piscina contra los gérmenes patógenos
- Control de la formación de hongos, bacterias y algas
- Posibilidad de reducir hasta un 80% el uso de cloro y otros productos químicos
- Se evita el olor a cloro y la irritación de la piel y los ojos (enrojecimiento de los ojos)
- Mejor para el medio ambiente en comparación con los métodos tradicionales

VENTAJAS DEL BLUE LAGOON PRO UV-C:

- Estabilizador electrónico incorporado para obtener una corriente uniforme
- Hasta un 35% más de rendimiento de la radiación UV-C por reflexión
- Lleva un interruptor de flujo, el cual se encarga de apagar el aparato si no hay corriente de agua.
- Cuentahoras integrado para la lámpara UV-C
- Indicación digital de cuándo hay que sustituir la lámpara
- Carcasa en acero inoxidable 316L
- Instalación y mantenimiento sencillos
- 2 años de garantía por defectos de fabricación
- Lleva toma de tierra

PUESTA A TIERRA DE LA INSTALACIÓN (DIBUJO 1)

1. Antes de montar el sujetacables de plástico (4) al tornillo de puesta a tierra (1) hay que pasar el cable (2) por el sujetacables (4). Coloque el sujetacables (4) a una distancia de unos 10 cm del ojal (2) del cable de tierra.
2. Acople el ojal (2) del cable al tornillo de puesta a tierra que se encuentra en la carcasa.
3. Seguidamente, coloque una arandela elástica dentada (3).
4. Fije el sujetacables (4) de forma que quede un lazo de O 5 cm.
5. Finalmente, coloque la segunda arandela elástica dentada (5) y tuerca de bloqueo (6) en el tornillo de conexión a tierra.
6. Una vez que se han colocado los distintos componentes en el orden correcto en el tornillo de puesta a tierra, se podrá proceder a apretar el conjunto con una llave fija o una llave de tubo del número 8.

INSTALACIÓN DEL APARATO (DIBUJO 2)

Determine el lugar para el montaje del aparato. El Blue Lagoon Pro UV-C nunca se deberá colocar en la instalación de la piscina inmediatamente después del regulador del pH o del sistema de electrólisis de sal. El mejor sitio para instalar el aparato es inmediatamente después del filtro. Véase la representación esquemática en la parte delantera del manual. La instalación ha de efectuarse siempre fuera del agua. Estando la lámpara encendida, siempre deberá circular agua por el aparato. - No instale el aparato nunca en un lugar donde dé de lleno el sol. La instalación deberá realizarse en un espacio seco y bien ventilado. Se puede instalar el dispositivo en horizontal y en vertical si el agua fluye de abajo hacia arriba (véase la representación esquemática en la parte delantera del manual) dejando en la parte inferior un espacio libre de 30 cm para el caso de que haya que realizar trabajos de mantenimiento. En la parte superior deberá quedar 1,5 metros de espacio para poder cambiar la lámpara (K) fácilmente sin que sea necesario desmontar el aparato completo.

1. Determine la posición deseada para la instalación del aparato. Asegúrese de que queda espacio suficiente (+/- 1 metro) para poder quitar la lámpara (K) y/o el vidrio de cuarzo (M) para sustitución o mantenimiento.
2. Monte la unidad UV-C en un punto fijo; asegure eventualmente la unidad por medio de abrazaderas de tubo (no suministradas) a un tabique de soporte bien resistente.
3. Monte la unidad en el circuito. El reductor (I) para el interruptor de flujo (X) se deberá pegar al con la rosca (W) orientada hacia arriba (véase el dibujo 2). La flecha en la parte superior del interruptor de flujo (X) deberá estar orientada siempre en la dirección de paso del agua. Si se encuentra en sentido contrario al de circulación del agua no se pondrá en funcionamiento el Blue Lagoon Pro UV-C.
4. Suelte de la carcasa (U) el anillo roscado (N) de la lámpara en la parte superior de la carcasa. Coloque con cuidado el tubo de cuarzo (M) en la vivienda (U). Coloque la junta tórica (T) en la posición correcta en relación con el tubo de cuarzo.
5. Saque la lámpara UV-C (K) del tubo suministrado (véase embalaje) e introdúzcala con cuidado en el tubo de cuarzo (M). Acople cuidadosamente el portalámpara (L) a la lámpara UV-C (K) y

- apriete a continuación manualmente el anillo de rosca (N) a la carcasa (U). Al hacer esto, tenga en cuenta la posición correcta del anillo tórico (T) para el tubo de cuarzo.
6. Ponga la bomba en funcionamiento y controle si el líquido circula correctamente y si se produce alguna fuga.
 7. Introduzca la clavija del aparato UV-C en una toma de corriente mural con puesta a tierra y provista de interruptor de fuga a tierra. A través de las partes transparentes del aparato, controle si la lámpara está encendida. Para desconectar el aparato, retire la clavija de la toma de corriente.

INDICACIONES DE USO DEL CUENTAHORAS DIGITAL

Al ponerse en funcionamiento el Blue Lagoon Pro UV-C se lleva a cabo una autocomprobación del programa. En el visor aparecen automáticamente las siguientes indicaciones en forma consecutiva: 8888 (comprobación del visor) ; r y número de versión del software ; indicación de 50H o 60H de la frecuencia de la red

Seguidamente el visor salta a la posición del contador.

Al encenderse por primera vez la lámpara UV-C, o después de que se haya utilizado la función de "reset" (reinicio), aparecerán en el visor las cifras 9000. Junto a la última cifra de la derecha del visor parpadea cada segundo un punto para indicar que el contador funciona.

El visor está automáticamente en la posición del visor ajustada de fábrica, que es de 9000 horas. Hasta la hora 9000 la lámpara UV-C emite una radiación efectiva al 100%. Transcurridas 9000 horas, la radiación pasa a ser más débil y puede ser insuficiente para obtener el resultado que se desea. Si utiliza usted la lámpara UV-C ya algún tiempo y ésta ha estado encendida con anterioridad, al encenderla de nuevo aparecerá en el visor el valor que ésta indicaba antes de apagarla la última vez. Si ha aumentado o reducido usted mismo la indicación del cuentahoras, se mostrará la última posición del cuentahoras que aparecía en el visor antes de desactivarse éste.

Los ajustes del cuentahoras se pueden modificar si se desea. Esto se hace de la siguiente manera:

Si se mantiene pulsado durante 5 segundos el interruptor (R) de debajo del visor, se mostrará en éste "rSt", lo que significa que se ha seleccionado el menú del usuario. Al soltar el interruptor (R) parpadearán en el visor alternativamente la posición del cuentahoras y las letras "rSt". Pulsando a continuación brevemente el interruptor se puede pasar a las distintas opciones del menú. Existen 3 posibilidades de ajuste en el menú: "rSt", "UP" y "dn".

- "rSt" significa "reset" (reinicio): esto permite hacer retroceder la posición del cuentahoras a los ajustes de fábrica de 9000 horas.
Para confirmar esta selección, parpadearán alternativamente en el visor la posición del cuentahoras y "rSt". Si se mantiene pulsado el interruptor (R) durante 5 segundos, se mostrará la posición del cuentahoras 9000 y, al soltar de nuevo el interruptor, el contador iniciará la cuenta atrás a partir de 9000 horas. Este ajuste se puede realizar, por ejemplo, cuando se ha cambiado la lámpara, o cuando uno mismo ha modificado la posición del cuentahoras y quiere volver a ponerlo como estaba ajustado de fábrica.

- “UP” significa “up” (arriba): se utiliza para incrementar el valor del cuentahoras hasta el número de horas que se desee.
Para confirmar esta selección, parpadearán alternativamente en el visor el ajuste “UP” y la posición del cuentahoras. Seguidamente se deberá mantener oprimido el interruptor (R) durante 5 segundos. Transcurridos los 5 segundos, en la pantalla sólo aparecerán las letras “UP”. En ese momento se deberá soltar de nuevo el interruptor.
Mediante cortas pulsaciones del interruptor se puede aumentar el valor del cuentahoras, en pasos de 500 horas, desde 9000 hasta un valor máximo de 9.999. El valor superior seleccionado parpadeará en el visor alternativamente con “UP”.
Una vez seleccionadas las horas que se desea, se deberá esperar 10 segundos. A los 10 segundos aparece en el visor el número de horas seleccionado y se inicia la cuenta atrás del temporizador.
En caso de que se equivoque al aumentar la posición del cuentahoras, se podrá hacer retroceder el contador a 9000 manteniendo pulsado el interruptor 5 segundos. Así se reinicia el contador a 9000 y se puede ajustar éste al valor que se desee.
- “dn” significa “down” (abajo): se utiliza para reducir el valor del cuentahoras hasta el número de horas que se desee.
Para confirmar esta selección, parpadearán alternativamente en el visor el ajuste “dn” y la posición del cuentahoras. Seguidamente se deberá mantener oprimido el interruptor (R) durante 5 segundos. Transcurridos los 5 segundos, en la pantalla sólo aparecerán las letras “dn”. En ese momento se deberá soltar de nuevo el interruptor.
Mediante cortas pulsaciones del interruptor se puede reducir el valor del cuentahoras hasta un valor mínimo de 0000. El valor inferior seleccionado parpadeará en el visor alternativamente con “dn”.
Una vez seleccionadas las horas que se desea, se deberá esperar 10 segundos. A los 10 segundos aparece en el visor el número de horas seleccionado y se inicia la cuenta atrás del temporizador.
En caso de que se equivoque al reducir la posición del cuentahoras, se podrá hacer retroceder el contador a 9000 manteniendo pulsado el interruptor 5 segundos. Así se reinicia el contador a 9000 y se puede ajustar éste al valor que se desee.

El cuentahoras indica de la siguiente manera que se ha de sustituir la lámpara:

- A partir de la posición de 0672 horas: el visor parpadea cada segundo. La lámpara se deberá sustituir dentro de 4 semanas.
- A partir de la posición de 0336 horas: el visor parpadea cada medio segundo; la lámpara se tiene que cambiar dentro de 2 semanas.
- A partir de la posición de 0168 horas: el visor parpadea cada ¼ de segundo; la lámpara se tiene que cambiar dentro de 1 semana.
- Al llegar a la posición de 0000 horas, las cifras permanecen parpadeando rápidamente y el cuentahoras dejará de contar. La lámpara se deberá sustituir.

DESMONTAJE Y MANTENIMIENTO

Para realizar trabajos de mantenimiento y desmontaje del aparato se deberá desconectar la alimentación de corriente eléctrica.

El aparato se deberá limpiar 2 veces al año. Al aumentar el desarrollo de algas y/o los depósitos de cal se deberá limpiar el tubo de cuarzo (M) en el que se encuentra la lámpara. La lámpara UV-C especial se deberá sustituir después de 9000 horas de servicio. Limpie la parte interior de acero inoxidable con un cepillo suave.

1. Deje que se vacíe el agua del aparato.
2. Suelte el anillo roscado (N) y retire la lámpara (K) del portalámparas (L). Saque la lámpara del tubo de cuarzo y, de ser necesario, sustituya la lámpara especial (K). Esto hay que hacerlo con cuidado, ya que se trata de piezas que se pueden dañar muy fácilmente.
3. Quite con cuidado el vidrio de cuarzo (M) (véase el dibujo 3). ¡En ningún caso se deberá forzar!
4. Limpie el vidrio de cuarzo con un medio adecuado para este fin. Utilice siempre un paño suave para limpiar el vidrio y evite que se produzcan arañazos.
5. Coloque cuidadosamente la lámpara en el tubo de cuarzo, ponga nuevamente el anillo tórico (T) al tubo de cuarzo y acople la lámpara (K) al portalámparas (L). Ponga el anillo roscado (N) en la carcasa.
6. El conjunto eléctrico se encuentra en la caja del visor (S) del aparato. La caja del visor va encolada y no se puede abrir. Para cambiar el conjunto eléctrico o el visor hay que desenroscar y retirar la caja completa y soltar los cables del aparato (véase el dibujo 1). Atención: Guarde bien las distintas piezas sueltas, como los elementos de puesta a tierra, etc. Estas piezas no se suministran con una carcasa o un conjunto eléctrico nuevos. En caso de duda sobre la conexión, consulte con un instalador eléctrico autorizado.
7. Si se ha de sustituir la carcasa, se deberá retirar primero la toma de tierra (J) y la parte eléctrica con el visor (S) de la carcasa (U) (véase el dibujo 1 y 2). Suelte la parte eléctrica con el visor (S) y el portalámpara de la carcasa. Atención: Guarde bien las distintas piezas sueltas de la toma de tierra. Estas piezas no se suministran con la carcasa nueva. Quite la lámpara (K) y el tubo de cuarzo (M) de la carcasa para evitar que se produzcan daños durante el transporte. En caso de duda sobre la conexión, consulte con un instalador eléctrico autorizado.

	PRO UV-C 75W	PRO UV-C 130W AMALGAM
Tipo	75.000 /75W	150.000 /130W
Estabilizador electrónico	230V AC 50/60Hz	230V AC 50/60Hz
Corriente máxima	0,57A	1,1A
Número de artículo	BP02752	BP02132
Potencia de la lámpara	75W	130W
Código de barras	8714404038669	8714404038676
Lámpara	Philips TUV 36T5 HO 4P-SE (75 Watt)	Philips TUV 130 Watt 4P-SE Amalgam
Flujo recom. para 30 mJ/cm ²	18 m ³ /h	22 m ³ /h
Presión máx.	5 Barra	5 Barra
Vida útil de la lámpara	9.000 h	12.000 h
Flujo máx.	23 m ³ /h	23 m ³ /h
Diámetro de la unidad	114 mm	114 mm
Diámetro de la entrada-salida	2" Rosca macho	2" Rosca macho
Longitud de la unidad	100 cm	100 cm
Acero inoxidable	316L	316L
Temporizador	✓	✓
Interruptor de flujo	✓	✓
Aviso de cambio de lámpara	✓	✓

ES

TIPOS DE SISTEMAS UV-C

Número de artículo: BP02752 Blue Lagoon Pro UV-C 75W e (230 V; 50/60 Hz)

Número de artículo: BP02132 Blue Lagoon Pro UV-C 130W Amalgam (230 V; 50/60 Hz)

Número de artículo: BP02751 Blue Lagoon Pro UV-C 75W (120V; 50/60Hz)

Número de artículo: BP02131 Blue Lagoon Pro UV-C 130W Amalgam (120V; 50/60Hz)

LÁMPARAS DE RECAMBIO

Número de artículo: E800902 Lámpara Philips tipo TUV 36T5 HO 4P-SE (75 W)

Número de artículo: E800904 Lámpara Philips tipo TUV 130 W 4P-SE Amalgam (130 W)



Leia atentamente as instruções de uso antes de instalar este aparelho.

FUNCIONAMENTO

A lâmpada especial UV da provoca uma radiação UV-C com um comprimento de onda de 253,7 nm no Blue Lagoon Pro UV-C, que se encarrega de eliminar bactérias (como a que provoca a doença do legionário). O Blue Lagoon Pro UV-C proporciona de maneira eficiente e amiga do ambiente água limpa, fresca e clara. A água é transportada por meio de uma bomba pelo interior do aparelho UV-C. A radiação UV-C neutraliza as bactérias, vírus e outros organismos primitivos e trava a sua reprodução. O Blue Lagoon Pro UV-C contém um balastro electrónico de alta frequência. Este balastro absorve as variações de corrente e protege desse modo a lâmpada. Além disso o aparelho contém um contador de horas integrado que regista com precisão o número de horas de iluminação. Assim pode ver exactamente quando a lâmpada tem de ser substituída. Além disso o interior de aço inoxidável com efeito de reflexão da radiação de UV-C garante um melhoramento da eficiência que pode chegar até aos 35%. Graças ao Blue Lagoon Pro UV-C a sua água é desinfetada de uma maneira eficiente e segura mantendo uma qualidade excelente.

PT

VANTAGENS DE TRATAMENTO COM UV-C:

- Proporciona água limpa, fresca e límpida
- Desinfecta a água de maneira eficiente e segura
- Luz UV-C degrada compostos de cloro
- Protege a piscina contra agentes patogénicos
- Controla a formação de fungos, bactérias e algas
- Torna possível a redução de cloro e outros químicos até 80%
- Evita o cheiro a cloro e irritação da pele e dos olhos (olhos vermelhos)
- Amigo do ambiente quando comparado com métodos tradicionais

VANTAGENS DO BLUE LAGOON PRO UV-C:

- Balastro electrónico incorporado, que garante uma alimentação regular de corrente.
- Produção extra de UV-C até 35% por reflexão
- Equipado com um interruptor Flow switch que desliga o aparelho quando não há circulação de água.
- Contador de horas ajustável integrado para a lâmpada UV-C
- Indicação digital de quando a lâmpada deve ser substituída
- Caixa de aço inoxidável 316L
- Instalação e manutenção simples
- 2 anos de garantia sobre falhas de fabrico
- Tem ligação terra

INSTALAÇÃO DO CABO TERRA (DESENHO 1)

1. Antes de montar o protector sintético (4) no parafuso terra (1), tem de passar primeiro o cabo (2) pelo protector (4). Coloque o protector (4) a cerca de 10cm de distancia do olhal (2) do cabo terra.
2. Coloque o olhal (2) do cabo sobre o parafuso terra que esta fixado a armacao.
3. Coloque seguidamente a anilha recartilhada (3).
4. Fixe o prensa cabos (4) de modo a formar um laço de 05cm.
5. Por ultimo, posicionar a anilha com faces dentadas (5) e a contraporca (6) no parafuso de ligacao a terra.
6. Depois de instalar os componentes na sequencia correcta no parafuso de ligacao a terra, este pode ser apertado com uma chave de bocas ou com uma chave de argola numero 8.

INSTALAÇÃO DO APARELHO (DESENHO 2)

Determine o local desejado para montar o aparelho. Não instale nunca a Blue Lagoon Pro UV-C directamente a seguir ao regulador de PH ou sistema de electrólise de sal da sua piscina. O melhor local para instalar o aparelho é imediatamente a seguir ao filtro. Consulte a visualização esquemática no início do manual de instruções. Fazer a instalação sempre fora da piscina. Faça com que corra sempre água pela unidade quando a lâmpada está acesa. Não instale o aparelho em local exposto à radiação solar. Faça a instalação num espaço seco e bem ventilado. O aparelho pode ser montado na horizontal e na vertical desde que o fluxo de água siga de baixo para cima (consulte a visualização esquemática no início do manual de instruções) deixando na parte inferior um espaço livre de 30 cm necessário para eventual manutenção. Na parte superior deve ser deixado um espaço livre de 1,5 m necessário para uma substituição fácil da lâmpada (K) sem que para tal se tenha de desmontar o aparelho completo.

1. Determine a posição desejada para instalar o aparelho. Deixe o suficiente espaço livre (+/- 1m) para substituição ou manutenção da lâmpada (K)/ vidro de quartzo (M).
2. Monte a unidade UV-C num lugar fixo, utilizando eventualmente braçadeiras para fixação (não são fornecidas na embalagem) a um ponto fixo e estável.
3. Efectue a montagem da unidade no circuito. A peça de ligação (I) destinada à aplicação do interruptor flow switch (X) é colada com a rosca (W) virada para cima (veja-se figura 2). A pequena seta por cima do interruptor flow switch (X) tem de apontar sempre para a direcção de circulação da água. Se acontecer que esta seta aponta para a direcção contrária à circulação da água a lâmpada Blue Lagoon Pro UV-C fica desligada.
4. Desenrosque a rosca de anel (N) da lâmpada na parte superior da armação (U). Cuidadosamente coloque o vidro de quartzo (M) na carcaça (U). Coloque o anel de vedação (T) na posição correcta em relação ao vidro de quartzo.
5. Retire a lâmpada UV-C (K) de dentro do tubo protector (veja-se embalagem) e introduza-a com cuidado no vidro de quartzo (M). Encaixe com cuidado a lâmpada UV-C (K) no suporte branco de lâmpada (L) e enrosque com a mão a seguir a rosca de anel (N) na armação (U). Dedique especial atenção à posição correcta da junta circular (T) para o vidro de quartzo.
6. Ponha a bomba a funcionar e controle o sistema quanto à passagem de água e existência de fugas

7. Ligue a ficha do aparelho UV-C a uma tomada com ligação terra e equipada com interruptor diferencial de corrente residual. Controle através das partes transparentes do aparelho se a lâmpada se acende. Só desligando a ficha da tomada se desliga completamente o aparelho.

INSTRUÇÕES DE USO DO CONTADOR DE HORAS DIGITAL

Ao ligar o Blue Lagoon Pro UV-C o programa inicia um controle a si próprio. O visor dá as seguintes indicações consecutivas e automáticas:

8888 (display test) ; r e número de versão de software ; Indicação de rede de frequência 50H ou 60H
Seguidamente o visor mostra o número no contador.

Quando é a primeira vez que liga a lâmpada UV-C ou após fazer um "reset" ("reiniciação"), aparece o número 9000 no visor. Junto ao dígito mais à direita pisca a cada segundo um ponto que é o indicador de que o contador está ligado. O visor marca o número de contagem introduzido a partir da fábrica de 9000 horas. Até às 9000 horas a lâmpada UV-C origina a sua radiação a 100%. Depois das 9000 horas a radiação fica mais fraca e pode tornar-se insuficiente para atingir os resultados pretendidos.

No caso de utilizar há mais tempo a lâmpada UV-C e esta já ter estado ligada então o visor irá visualizar o número anteriormente registado antes de desligar a lâmpada UV-C. No caso de você próprio ter alterado para cima ou para baixo o número de horas no contador então o visor vai o mostrar o último número registado antes de ter sido desligado.

Caso assim o pretenda, pode alterar o registo do contador de horas. Para tal deve agir do modo seguinte:

Carregue durante mais de 5 segundos o botão (R) por baixo do visor. O visor mostra agora "rSt" que indica que foi seleccionado o menu de utilizador. Após libertar o botão (R) começam a piscar à vez o número registado e o "rSt" no visor. Um toque curto de cada vez no botão leva-nos a percorrer várias possibilidades num menu. Há 3 possibilidades de escolha no menu: "rSt", "UP" e "dn".

- "rSt" significa (reset): com esta função o contador volta ao ajuste de fábrica de 9000 horas. Esta escolha é confirmada pelo piscar à vez do número registado e o "rSt". Se pretender mesmo fazer o "reset" carregue o botão (R) durante mais de 5 segundos, o visor volta a registar 9000, liberte depois o botão e a partir de agora o contador começa a contagem por ordem regressiva a partir das 9000 horas. Esta função pode ser utilizada quando substituiu a lâmpada ou quando você próprio tenha alterado o número de horas e desejar voltar a ajustá-lo ao valor de fábrica.
- "UP" significa (up): esta função permite aumentar o número de horas para o valor desejado. Esta escolha é confirmada pelo piscar à vez do ajuste do utilizador "UP" e do número registado. Para continuar nesta função deve carregar durante mais de 5 segundos o botão (R). Após os 5 segundos aparece no visor só "UP". Liberte agora o botão. Com um toque curto cada vez no botão o contador passa do valor de fábrica de 9000 a subir em etapas de 500 de cada vez até um valor máximo de 9999. O novo valor aumentado pisca à vez com "UP" no visor.

aso tenha seleccionado o número de horas desejado, espere agora 10 segundos. Após os 10 segundos o número de horas seleccionado aparece no visor e inicia-se a contagem regressiva no contador.

Se verificar que se enganou durante esta operação do aumento de horas, pode facilmente reajustar o contador para as 9000 horas carregando durante mais de 5 segundos no botão. Neste caso o valor no contador foi reiniciado para 9000 e pode seguidamente ser introduzido um novo valor.

- “dn” significa (down):esta função permite diminuir o número de horas para o valor desejado. Esta escolha é confirmada pelo piscar à vez do ajustador “dn” e do número registado. Para continuar nesta função deve carregar durante mais de 5 segundos o botão (R). Após os 5 segundos aparece no visor só “dn”. Liberte agora o botão.
Com um toque curto cada vez no botão o contador passa do valor de fábrica de 9000 a descer em etapas de 500 de cada vez até um valor mínimo de 0000. O novo valor reduzido pisca à vez com “dn” no visor.
Caso tenha seleccionado o número de horas desejado, espere agora 10 segundos. Após os 10 segundos o número de horas seleccionado aparece no visor e inicia-se a contagem regressiva no contador.
Se verificar que se enganou durante esta operação da redução de horas, pode facilmente reajustar o contador para as 9000 horas carregando durante mais de 5 segundos no botão. Neste caso o valor no contador foi reiniciado para 9000 e pode seguidamente ser introduzido um novo valor.

O contador de horas alerta para a substituição da lâmpada do modo seguinte:

- A partir do número 0672; o visor pisca uma vez por segundo. A lâmpada tem de ser substituída dentro de 4 semanas.
- A partir do número 0336; o visor pisca duas vezes por segundo. A lâmpada tem de ser substituída dentro de 2 semanas.
- A partir do número 0168; o visor pisca quatro vezes por segundo. A lâmpada tem de ser substituída dentro de 1 semana.
- Com um número de horas de 0000; os dígitos piscam rapidamente e o contador deixa de contar. A lâmpada ter de ser imediatamente substituída.

DESMONTAGEM / MANUTENÇÃO

Nas tarefas de manutenção/desmontagem desligue sempre o aparelho da corrente.

O aparelho deve ser limpo duas vezes por ano. Quando algas ou calcificação aumentem, deve-se proceder à limpeza do tubo de vidro de quartzo (M) onde se encontra a lâmpada. A lâmpada tem de ser substituída após 9000 horas de utilização. O interior em INOX pode ser limpo com a utilização duma escova macia.

1. Deixe escorrer a água do aparelho.

2. Desenrosque a rosca de anel (N) e desencaixe a lâmpada (K) do suporte (L). Retire a lâmpada do vidro de quartzo e substitua se necessário a lâmpada especial (K). É necessário um cuidado extremo por se tratar de material muito frágil.
3. Retire o vidro de quartzo (M) (veja-se desenho 3). Não force nunca!
4. Limpe o vidro de quartzo com um produto adequado. Utilize sempre um pano macio na limpeza do vidro, evite riscos.
5. Volte a colocar com cuidado a lâmpada no vidro de quartzo, recolocando a junta circular (T) no vidro de quartzo e encaixe a lâmpada (K) ao suporte (L). Volte a enroscar a rosca de anel (N) na armação.
6. A parte eléctrica do aparelho encontra-se na caixa do visor (S) por cima do aparelho. Esta caixa foi colada e não se pode abrir. Se houver necessidade de substituir a parte eléctrica ou o visor deve desaparafusar-se a caixa por inteiro e desaparafusar as ligações eléctricas (desenho 1). Tome atenção e guarde as variadas peças soltas como são as da ligação terra. Estas não são fornecidas com a armação ou parte eléctrica novas. Se eventualmente tiver dúvidas sobre as ligações deverá consultar o electricista profissional.
7. No caso de necessitar de substituir a armação, tem de tirar primeiro a ligação terra (J) e a parte eléctrica com o visor (S) da armação (U) (veja-se desenhos 1 & 2). Desaparafuse a parte eléctrica com o visor (S) e o suporte de lâmpada da armação. Desenrosque a tampa (N) e separe o casquilho da lâmpada com cuidado. Tome atenção e guarde as peças da ligação terra. Estas não são fornecidas com a armação ou parte eléctrica novas. Retire da armação a lâmpada (K) e o vidro de quartzo (M) para evitar quebra durante o transporte. Se eventualmente tiver dúvidas sobre as ligações deverá consultar o electricista profissional.

	PRO UV-C 75W	PRO UV-C 130W AMALGAM
Tipo	75.000 /75W	150.000 /130W
Balastro eletrônico	230V AC 50/60Hz	230V AC 50/60Hz
Corrente máxima	0,57A	1,1A
Número do artigo	BP02752	BP02132
Potência da lâmpada	75W	130W
Código de barras	8714404038669	8714404038676
Lâmpada	Philips TUV 36T5 HO 4P-SE (75 Watt)	Philips TUV 130 Watt 4P-SE Amalgam
Fluxo recomendado para 30 mJ/cm ²	18 m ³ /h	22 m ³ /h
Pressão máxima	5 Bar	5 Bar
Longevidade da lâmpada	9.000 h	12.000 h
Fluxo máximo	23 m ³ /h	23 m ³ /h
Diâmetro da unidade	114 mm	114 mm
Diâmetro da entrada/saída	2" Roscado macho	2" Roscado macho
Comprimento da unidade	100 cm	100 cm
Aço inoxidável	316L	316L
Temporizador	✓	✓
Interruptor fluxométrico	✓	✓
Alerta para substituição de lâmpada	✓	✓

TIPOS DE SISTEMAS UV-C

Artigo número: BP02752 Blue Lagoon Pro UV-C 75W e (230V; 50/60Hz)

Artigo número: BP02132 Blue Lagoon Pro UV-C 130W Amalgam (230V; 50/60Hz)

Artigo número: BP02751 Blue Lagoon Pro UV-C 75W (120V; 50/60Hz)

Artigo número: BP02131 Blue Lagoon Pro UV-C 130W Amalgam (120V; 50/60Hz)

LÂMPADAS DE SUBSTITUIÇÃO

Artigo número: E800902 Philips Lamp tipo TUV 36T5 HO 4P-SE (75 Watt)

Artigo número: E800904 Philips Lamp tipo TUV 130 W 4P-SE Amalgam (75 Watt)



Перед установкой устройства внимательно ознакомьтесь с данной инструкцией по эксплуатации.

ПРИНЦИП РАБОТЫ

Ультрафиолетовая лампа фирмы, установленная в устройстве Blue Lagoon Pro UV-C, излучает свет диапазона UV-C с длиной волны 253.7 нм, смертельный для бактерий (включая бактерии Legionella). Устройство Blue Lagoon Pro UV-C эффективно и без вреда для окружающей среды поддерживает воду в вашем бассейне в чистом, свежем и прозрачном состоянии. Вода прокачивается через устройство облучения UV-C с помощью насоса. Ультрафиолетовый свет диапазона UV-C обезвреживает бактерии, вирусы и другие низшие организмы и останавливает их размножение. Дезинфицирующее устройство Blue Lagoon Pro UV-C имеет встроенный электронный балласт, который сглаживает колебания тока, защищая лампу. Кроме того, в устройство встроен таймер, который точно учитывает количество наработанных часов. Это позволяет точно определить, когда необходимо менять лампу. Внутренность устройства, выполненная из нержавеющей стали, отражает ультрафиолетовый свет, что дополнительно увеличивает эффективность облучения на величину до 35%. Устройство Blue Lagoon Pro UV-C эффективно и безопасно дезинфицирует воду вашего бассейна, поддерживая ее в великолепном состоянии.

RU

ПРЕИМУЩЕСТВА ОБРАБОТКИ УЛЬТРАФИОЛЕТОМ UV-C:

- Гарантирует свежую, чистую и прозрачную воду
- Эффективно и безопасно дезинфицирует воду
- Ультрафиолетовое излучение UV-C разрушает связанный хлор
- Защищает бассейн от микробов
- Препятствует образованию плесени, бактериального налета и водорослей
- Позволяет снизить использование хлора и других химикатов на величину до 80%
- Избавляет от запаха хлора и раздражения кожи и глаз ("красные глаза")
- Более экологичная методика, чем традиционные

ХАРАКТЕРИСТИКИ УСТРОЙСТВА BLUE LAGOON PRO UV-C:

- Встроенный электронный регулятор, обеспечивающий более стабильное питание
- Повышение интенсивности излучения UV-C на величину до 35% благодаря корпусу из нержавеющей стали
- Встроенное реле расхода, которое отключает устройство при отсутствии течения воды.
- Встроенный регулируемый таймер для лампы UV-C
- Цветовой индикатор необходимости замены лампы
- Корпус из нержавеющей стали 316L
- Простота установки и технического обслуживания
- 2-летняя гарантия от производственных дефектов
- Заземление

ПОДКЛЮЧЕНИЕ ЗАЗЕМЛЕНИЯ (РИС. 1)

1. Пропустите кабель (2) через пластиковый держатель (4) и затем наденьте держатель (4) на болт заземления (1). Расположите держатель (4) на расстоянии примерно 10 см от клеммы (2) кабеля заземления.
2. Наденьте клемму (2) кабеля на болт заземления, находящийся на корпусе.
3. Установите зубчатую стопорную шайбу (3).
4. Установите держатель (4) так, чтобы образовалась петля диаметром 5 см.
5. Затем наденьте на болт заземления вторую зубчатую стопорную шайбу (5) и контргайку (6).
6. Установив все детали на болт заземления в правильном порядке, затяните их рожковым или кольцевым ключом №8.

УСТАНОВКА УСТРОЙСТВА (РИС. 2)

Выберите место для установки устройства. Запрещается устанавливать устройство Blue Lagoon Pro UV-C после регулятора pH или установки электролиза солей бассейна. Наилучшее местоположение устройства - после насоса и фильтра. См. схему на первой странице руководства. Устройство устанавливается вне бассейна. Когда лампа горит, через устройство обязательно должна течь вода. Запрещается устанавливать устройство в месте, где на него будет падать прямой солнечный свет. Устанавливайте устройство в сухом и хорошо проветриваемом месте. Устройство можно устанавливать как горизонтально, так и вертикально; в последнем случае поток воды должен быть направлен снизу вверх (см. схему на первой странице руководства) оставляя снизу 30 см свободного места для технического обслуживания. Сверху должно быть примерно 1.5 м свободного места, чтобы можно было беспрепятственно заменить лампу (K), не демонтируя все устройство.

1. Выберите место для установки устройства. Обязательно предусмотрите свободное место примерно 1 м, чтобы можно было снять лампу (K) / кварцевую трубку (M) для замены и/или технического обслуживания.
2. Установите блок облучателя UV-C в выбранном месте; при необходимости закрепите его на неподвижной стене трубными скобами (в комплект не входят).
3. Присоедините блок к трубопроводу. Приклейте клеевое гнездо для реле расхода (X) так, чтобы винтовой штуцер (W) был направлен вверх (см. рис. 2). Стрелка сверху на реле расхода (X) должна указывать в направлении течения воды. Если стрелка будет обращена в другую сторону (против течения), устройство Blue Lagoon Pro UV-C не будет включаться.
4. Свинтите резьбовое кольцо (N) лампы на верхней стороне корпуса (U). Аккуратно кварцевого стекла (M) в корпус (U). Место уплотнительное кольцо (T) в правильном положении в связи с кварцевым стеклом.
5. Выньте лампу UV-C (K) из футляра (см. комплект поставки) и аккуратно вставьте ее в кварцевую трубку (M). Аккуратно присоедините белый патрон (L) к лампе UV-C (K) и навинтите резьбовое кольцо (N) на корпус (U), затянув его рукой. Обратите внимание на правильность положения уплотнительного кольца (T) относительно кварцевой трубки.
6. Включите насос и проверьте протекание воды через систему и отсутствие утечек.
7. Включите вилку устройства в розетку, снабженную защитным заземлением и

подключенную через автомат УЗО. Проверьте через прозрачные детали устройства, что лампа горит. Для выключения устройства выньте вилку из розетки.

ИСПОЛЬЗОВАНИЕ ЦИФРОВОГО ТАЙМЕРА

После включения устройства Blue Lagoon Pro UV-C запускается программа самотестирования. На дисплее последовательно отображаются следующие данные: 8888 (проверка дисплея) ; r и номер версии программного обеспечения ; 50Н или 60Н (частота сети)
После этого на дисплее появляется значение таймера.

При первом включении лампы UV-C или после операции сброса на дисплее отображается число 9000. Точка рядом с крайней правой цифрой дисплея будет мигать раз в секунду; это означает, что таймер работает. На дисплее автоматически отображается значение заводской настройки - 9000 часов. Лампа UV-C способна работать со 100%-ной отдачей до 9000 часов. После 9000 часов излучение начинает ослабевать и может стать недостаточным для достижения желаемого результата.

При включении лампы UV-C, которая раньше была в работе, на дисплее отображается значение, которое было при выключении. Если вы увеличивали или уменьшали значение таймера вручную, на дисплее будет показано последнее значение, которое было на нем перед выключением.

Показания таймера можно при желании менять. Для этого:

Нажмите на кнопку (R) под дисплеем на 5 секунд. На дисплее появится индикация "rSt", указывающая, что выбрано пользовательские меню. После отпущения кнопки (R) на индикаторе будут попеременно мигать показания таймера и "rSt". Теперь, коротко нажимая на кнопку, можно двигаться по пунктам меню. Меню имеет 3 пункта: "rSt", "UP" и "dn".

- "rSt" означает "сброс". Этот пункт позволяет сбросить показания таймера к заводскому значению (9000 часов).
Когда выбран этот пункт, на дисплее попеременно мигают показания счетчика и "rSt". Если нажать кнопку (R) на 5 секунд, на дисплее появится индикация 9000. Если теперь отпустить кнопку, отсчет таймера начнется заново с 9000 часов. Это делается, например, если вы заменили лампу или изменили показания таймера вручную и хотите вернуть их к заводскому значению.
- "UP" означает "вверх". Этот пункт позволяет увеличить показания таймера до желаемого значения.
Когда выбран этот пункт, на дисплее попеременно мигают "UP" и показания таймера. После этого нажмите кнопку (R) на 5 секунд. Через 5 секунд на дисплее появится постоянная индикация "UP". После этого можно отпустить кнопку.
Теперь, коротко нажимая на кнопку, можно увеличивать значение таймера с шагом 500 часов от значения 9000 до максимально возможного значения 9999. На дисплее будут попеременно мигать новое значение и "UP".

Дойдя до желаемого значения, подождите 10 секунд. Через 10 секунд желаемое значение отобразится на дисплее, и таймер начнет отсчет с него.

Если вы ошиблись при увеличении значения таймера, можно сбросить таймер на 9000, нажав кнопку на 5 секунд. Таймер будет сброшен на 9000, и установку можно будет начать заново.

- “dn” означает “вниз”: Этот пункт позволяет уменьшить показания таймера до желаемого значения.
Когда выбран этот пункт, на дисплее попеременно мигают “dn” и показания таймера. После этого нажмите кнопку (R) на 5 секунд. Через 5 секунд на дисплее появится постоянная индикация “dn”. После этого можно отпустить кнопку.
Теперь, коротко нажимая на кнопку, можно уменьшать значение таймера с шагом 500 часов от значения 9000 до минимально возможного значения 0000. На дисплее будут попеременно мигать новое значение и “dn”.
Дойдя до желаемого значения, подождите 10 секунд. Через 10 секунд желаемое значение отобразится на дисплее, и таймер начнет отсчет с него.
Если вы ошиблись при уменьшении значения таймера, можно сбросить таймер на 9000, нажав кнопку на 5 секунд. Таймер будет сброшен на 9000, и установку можно будет начать заново.

Таймер показывает необходимость замены лампы следующим образом:

- Начиная с часа 0672: дисплей будет мигать каждую секунду. Лампу необходимо заменить в ближайшие 4 недели.
- Начиная с часа 0336: дисплей будет мигать каждые полсекунды; лампу необходимо заменить в ближайшие 2 недели.
- Начиная с часа 0168: дисплей будет мигать каждую ¼ секунды; лампу необходимо заменить в ближайшую неделю.
- При показаниях 0000: цифры будут мигать непрерывно, отсчет таймера прекратится. Лампу необходимо заменить.

ДЕМОНТАЖ И ТЕХНИЧЕСКОЕ ОБСЛУЖИВАНИЕ

Перед техническим обслуживанием или демонтажом устройства обязательно отключите электропитание.

Устройство необходимо чистить два раза в год. При появлении водорослей и/или накипи необходимо очистить трубку из кварцевого стекла (M), в которой находится лампа. Специальную лампу необходимо заменять не более чем через 9000 часов работы. Внутренность корпуса из нержавеющей стали можно чистить мягкой щеткой.

1. Слейте воду из устройства .
2. Отверните резьбовую крышку (N) и отсоедините лампу (K) от патрона (L). Выньте лампу (K) из кварцевой трубки и при необходимости замените. Будьте предельно осторожны, эти

детали очень хрупкие.

3. Аккуратно выньте кварцевую трубку (M) (см. рис. 3). Не прикладывайте силу!
4. Очистите кварцевую трубку подходящим чистящим средством. Во избежание образования царапин при очистке пользуйтесь только мягкой тканью.
5. Аккуратно вставьте лампу (K) в кварцевую трубку, вставьте уплотнительное кольцо (T) обратно в кварцевую трубку и подключите лампу к патрону (L). Наверните резьбовую крышку (N) на корпус.
6. Электрический блок устройства располагается в пульте управления (S) устройства. Пульт загерметизирован и вскрытию не подлежит. Для замены электрического блока или дисплея необходимо отвинтить весь пульт управления и отсоединить провода от устройства (см. рис. 1). Сохраняйте все освободившиеся детали, например, от заземления и т.п., поскольку они не входят в комплект поставки нового корпуса или электрического блока. Если при подключении возникнут сомнения, обратитесь к опытному специалисту по установке.
7. Если необходимо заменить корпус, сначала отсоедините от корпуса (U) заземление (J) и электрический блок с дисплеем (S) (см. рис. 1 и 2). Отвинтите электрический блок с дисплеем (S) и патрон лампы от корпуса. Сохраняйте все освободившиеся детали заземления, поскольку они не входят в комплект поставки нового корпуса. Выньте лампу (K) и кварцевую трубку (M) из корпуса, чтобы они не разбились при транспортировке. Если при подключении возникнут сомнения, обратитесь к опытному специалисту по установке.

	PRO UV-C 75W	PRO UV-C 130W AMALGAM
Тип	75.000 /75W	150.000 /130W
Электронный балласт	230V AC 50/60Hz	230V AC 50/60Hz
Максимальный ток	0,57A	1,1A
Артикул	BP02752	BP02132
Мощность лампы	75W	130W
Штрих-код	8714404038669	8714404038676
Лампа	Philips TUV 36T5 HO 4P-SE (75 Watt)	Philips TUV 130 Watt 4P-SE Amalgam
Рекомендованный расход, при мДж/см ²	18 м ³ /h	22 м ³ /h
Макс. давление	5 Давление	5 Давление
Срок службы лампы	9.000 h	12.000 h
Макс. расход.	23 м ³ /h	23 м ³ /h
Диаметр устройства	114 mm	114 mm
Диаметр впуска и выпуска	2" Наружная резьба	2" Наружная резьба
Длина устройства	100 cm	100 cm
Нержавеющая сталь	316L	316L
Таймер	✓	✓
Реле расхода	✓	✓
Сигнализация о замене лампы	✓	✓

ТИПЫ СИСТЕМ UV-C

Артикул: BP02752 Blue Lagoon Pro UV-C 75 л е (230 В; 50/60 Гц)

Артикул: BP02132 Blue Lagoon Pro UV-C 130 л amalgam (230 В; 50/60 Гц)

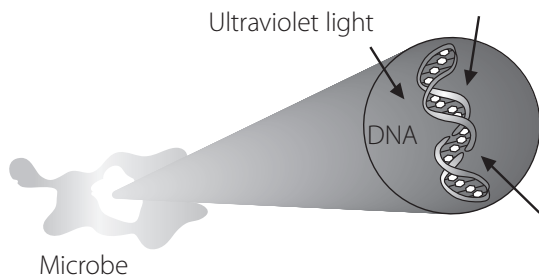
Артикул: BP02751 Blue Lagoon Pro UV-C 75 Вт (120 В; 50/60 Гц)

Артикул: BP02131 Blue Lagoon Pro UV-C 130 Вт Amalgam (120В; 50/60Гц)

ЗАПАСНЫЕ ЛАМПЫ

Артикул: E800902 Philips тип TUV 36T5 HO 4P-SE (75 Вт)

Артикул: E800904 Philips тип TUV 130 Вт 4P-SE Amalgam (130 Вт)



HOW UV-C WORKS

The molecular structure of the DNA is broken down rendering the microbe harmless

RECYCLING INFORMATIE

Het symbool van de afvalbak op dit product geeft aan dat het product (als het niet meer wordt gebruikt) niet met het reguliere vuilnis mag worden aangeboden, maar dat het op de speciaal hiervoor ingerichte collectiepunten moet worden aangeboden voor recycling. Als alternatief kunt u het product ook aanbieden op het adres waar het is gekocht op het moment dat u een nieuw product koopt. Maar dit mag alleen op basis van 1 op 1. Een gescheiden afvalcollectie is beter voor het milieu en het helpt om door recycling de grondstoffen weer opnieuw te gebruiken. Elke andere manier van afval- verwerking met betrekking op dit product is strafbaar.



INFORMATION DE RECYCLAGE

F

Le symbole du container barre sur le produit veut dire que le appareil doit être recycle séparé. Le usager, a la fin du vie de le appareil, doit ramene le appareil a un centre de recyclage des appareils électrique. Une alternative est de le ramene a le vendeur sur le moment de une achat de une nouvelle produit, sur le base 1 sur 1. Une recyclage alternative est très saine pour le environnement, et aide a une recyclage de matériel, une autre méthode de jete le appareil est illegal, et sera puni par la loi.

INFORMATIONEN DAS RECYCLAGE

D

Das Kennzeichen auf die Packung bedeutet dass es getrennt, von normalles Müll gesammelt werden muss, wenn das Gerät nicht mehr nutzbar ist. Wenn das Produkt kaputt ist soll der Besitzer es zu ein Sammelpunkt für elektrische Haushaltgeräte bringen. Oder wenn der Besitzer ein neues Gerät kaufen möchte kann Er/Sie das alte Gerät beim Verkäufer hinterlassen, nur 1 um 1 austauschbar. Getrenntes sammlung ist Umwelt freundlich und hilft dazu die alte Materialien neu nutzbar zu machen. Jeder andere / sonstige weise von sammeln ist nicht rechtsgültig.

RECYCLE INFORMATION

GB

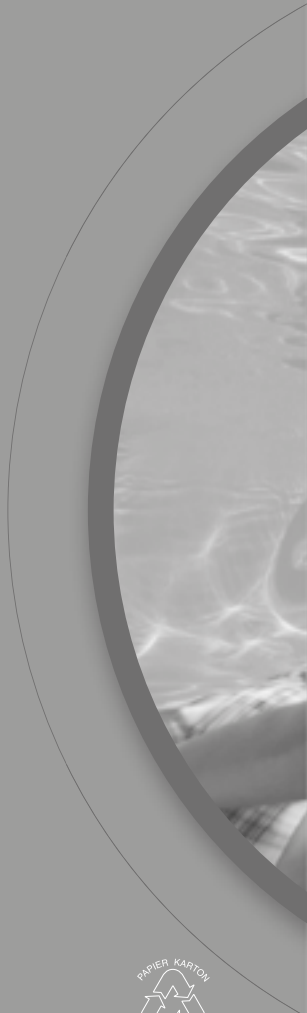
The symbol of the barred bin printed on the product means that it must be collected separately from other rubbish when it will not be anymore in use. The user, at the end of the life of the product, will have to bring it to a proper rubbish collection centre for electric and electrical devices. Alternatively he can return the used product to the seller at the moment he buys a new unit, but only in proportion 1 to 1. A differentiated refuse collection is environmentally friendly and it helps the recycle of the materials, any other collection procedure is unlawful and will be subject to the law in force.



VGE International B.V.
Ekkersrijt 4304
5692 DH Son en Breugel
The Netherlands

Tel. +31(0) 499 461 099
Fax +31(0) 499 494 229

info@vgebv.nl
www.vgebv.com
www.bluelagoonuv.com



Made in the
Netherlands

B299038

161535-V1