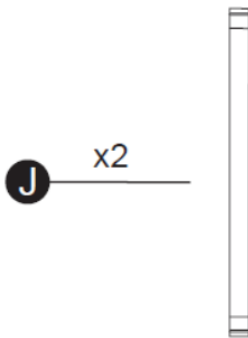
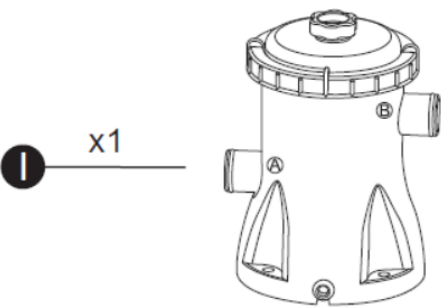
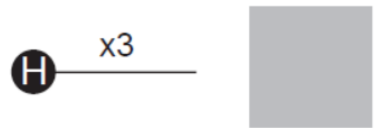
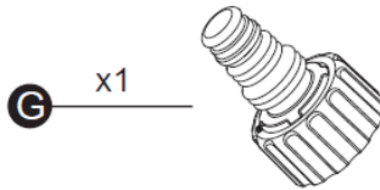
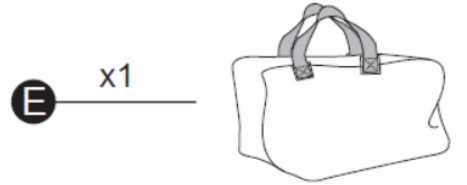
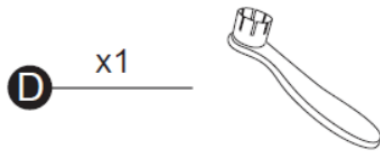
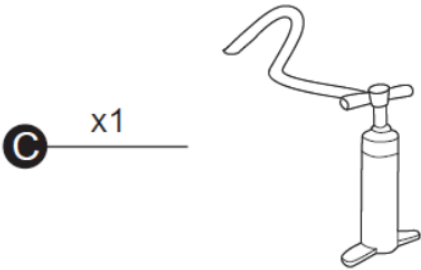
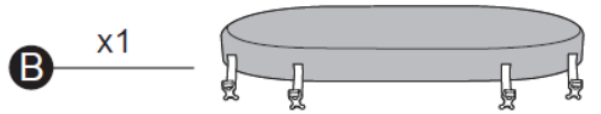
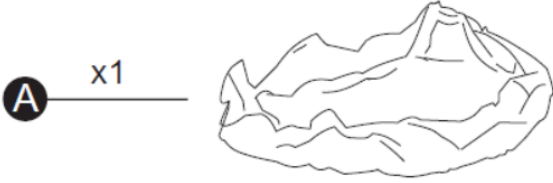
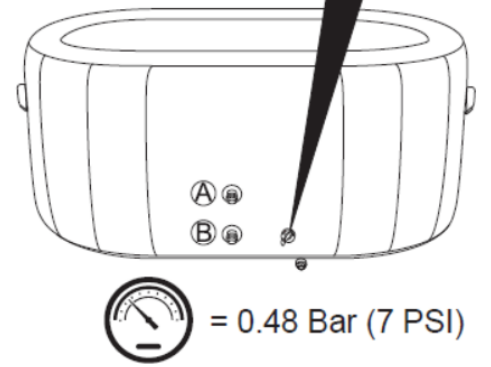
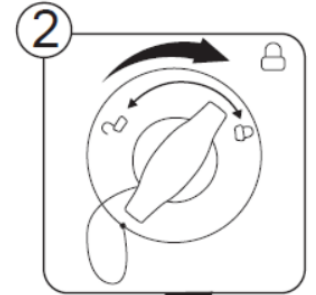
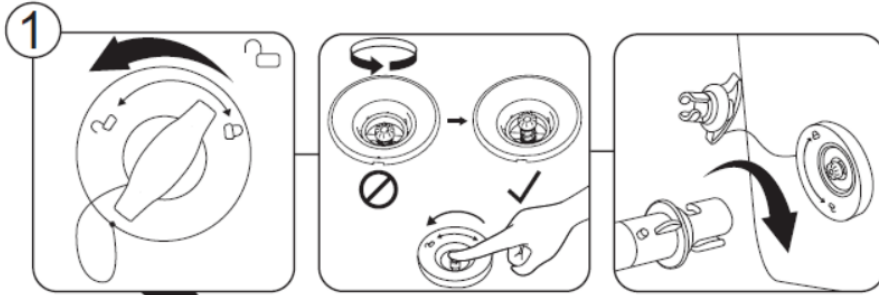
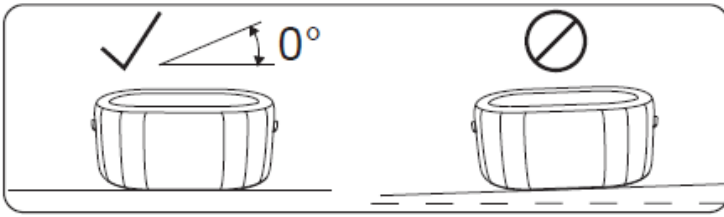
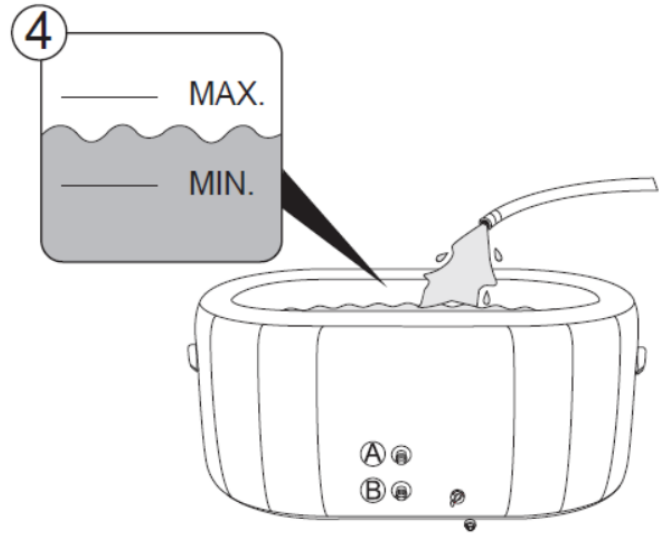
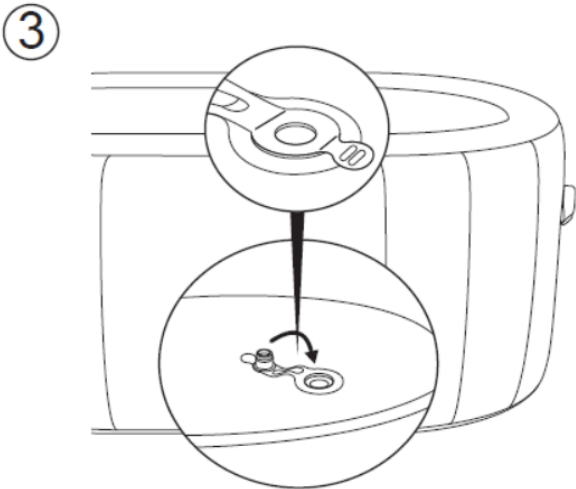


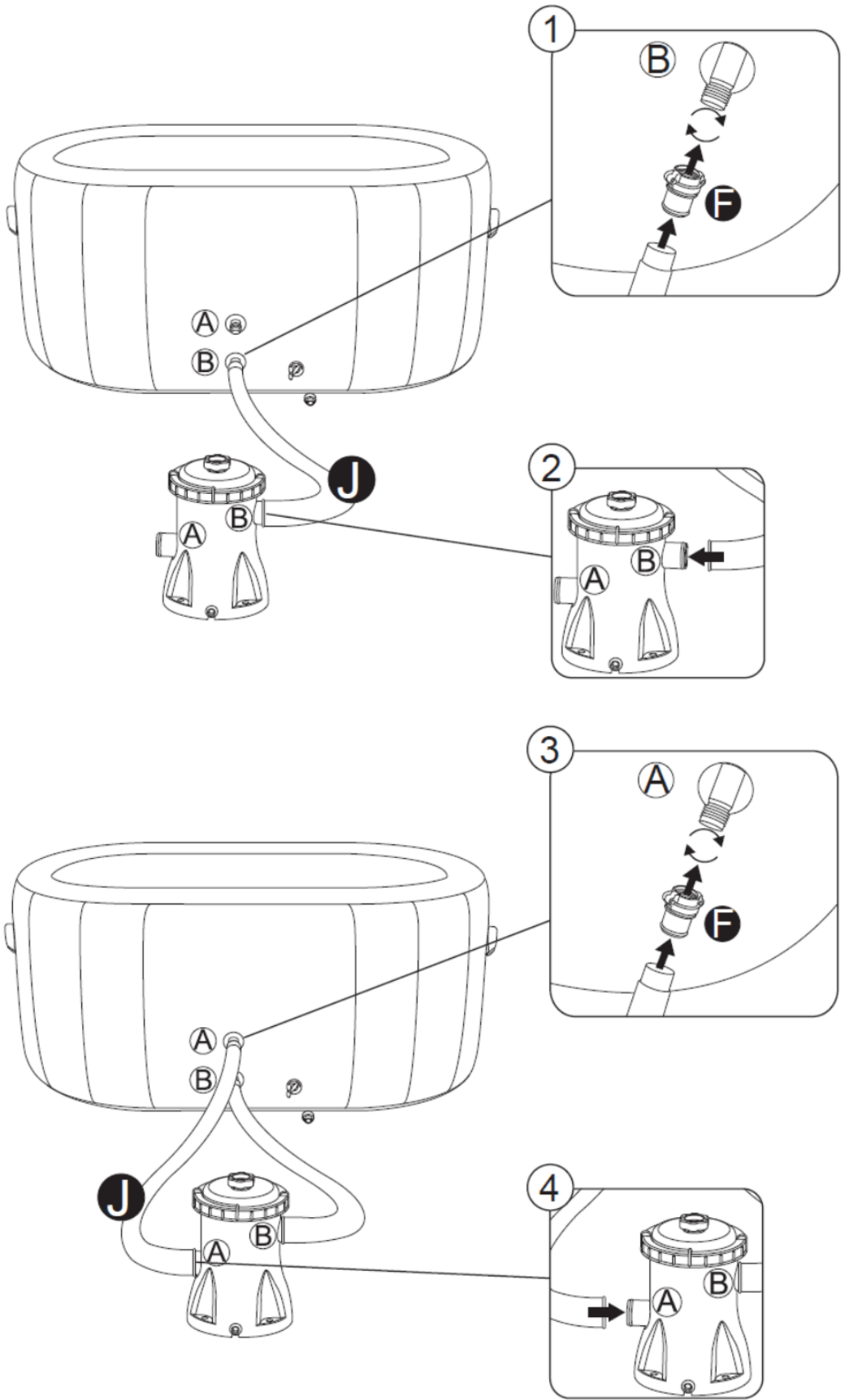
Inflatable Ice Bath Manual

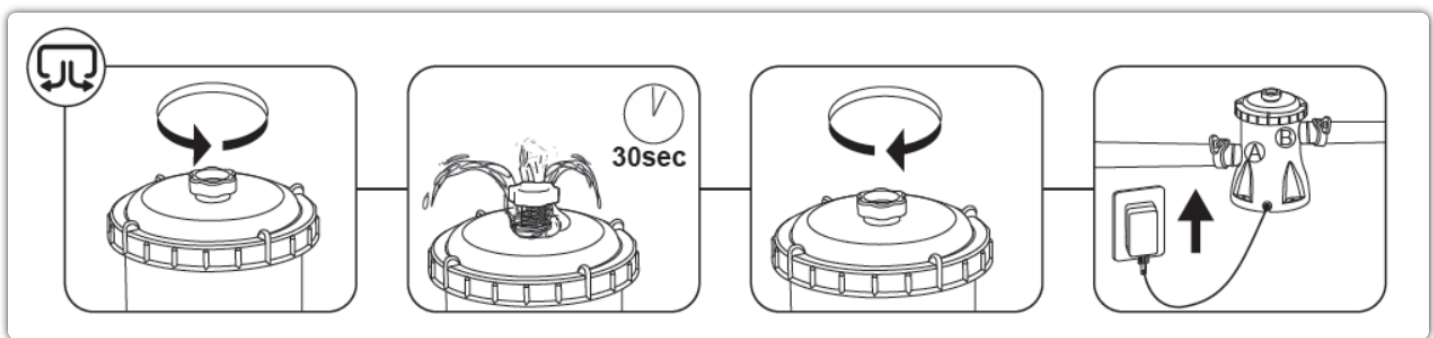
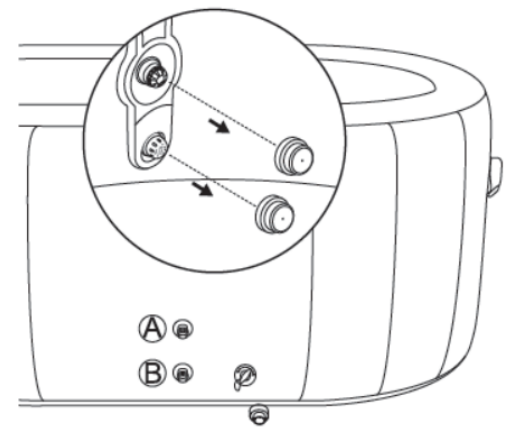
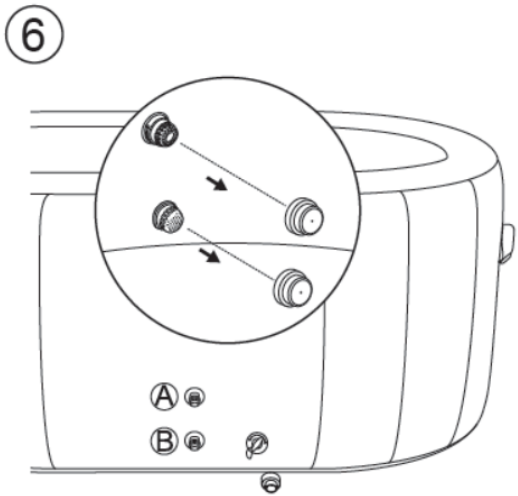
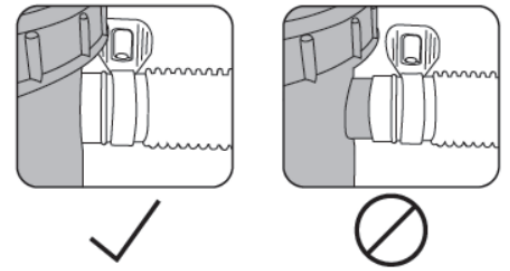
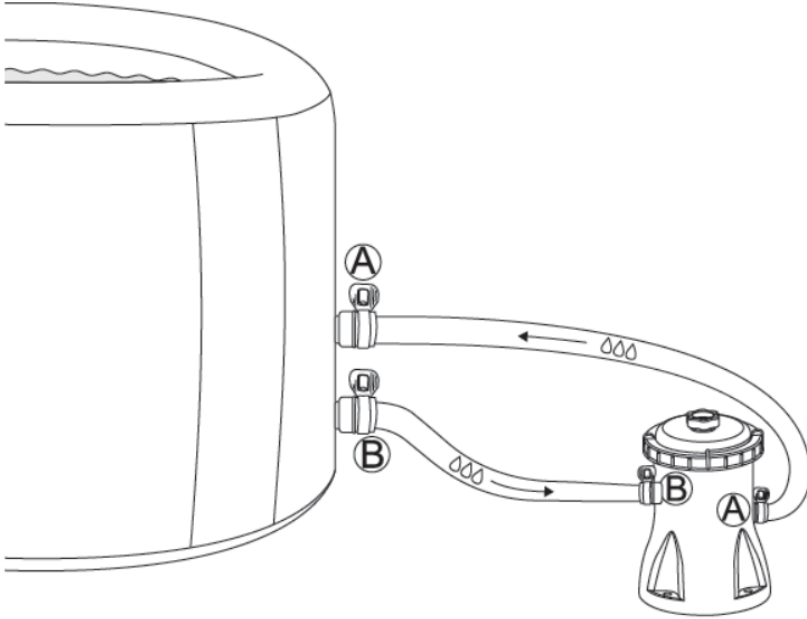
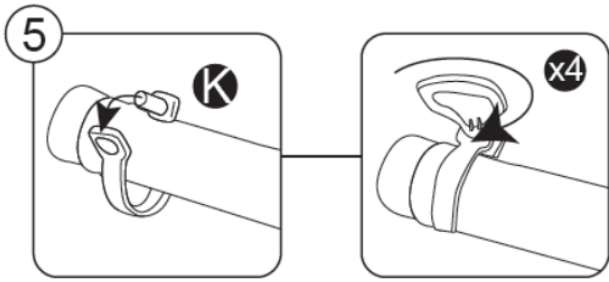


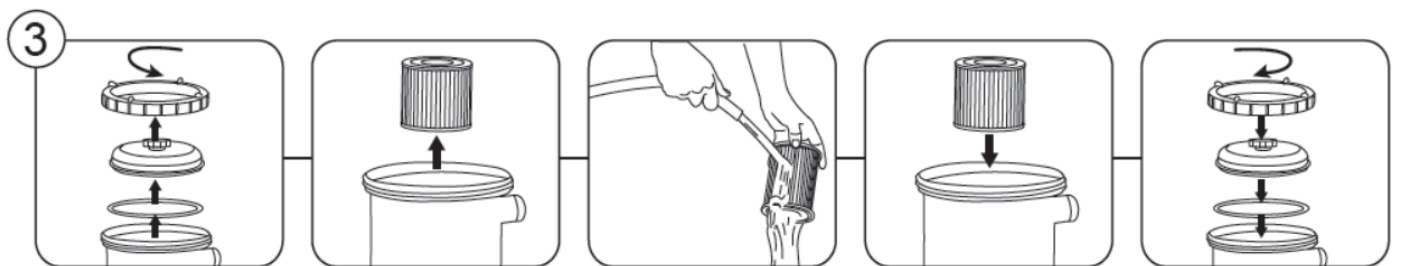
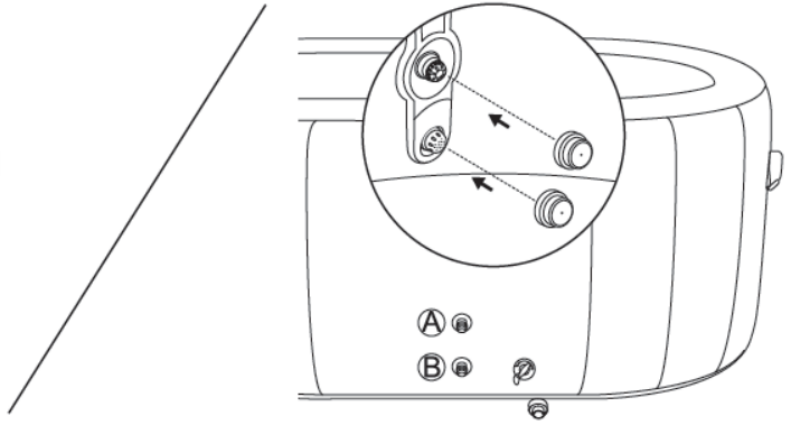
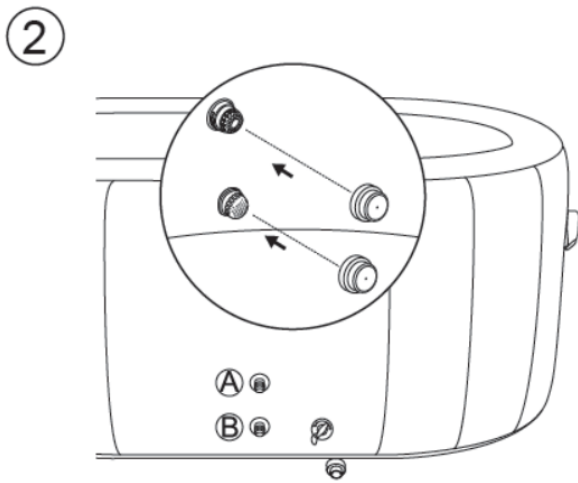
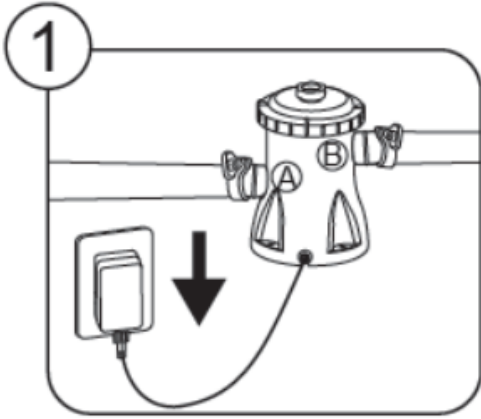


0.48 Bar (7 PSI)

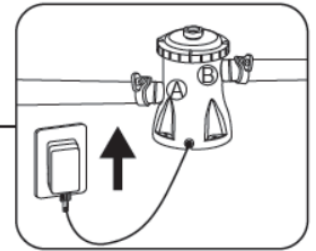
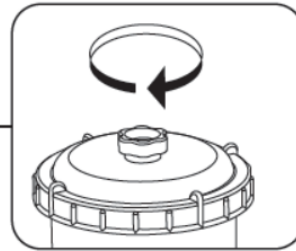
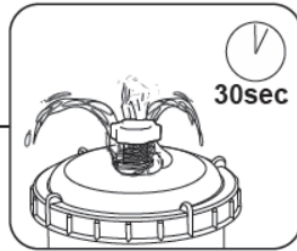
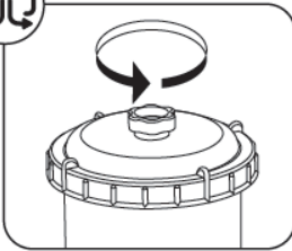
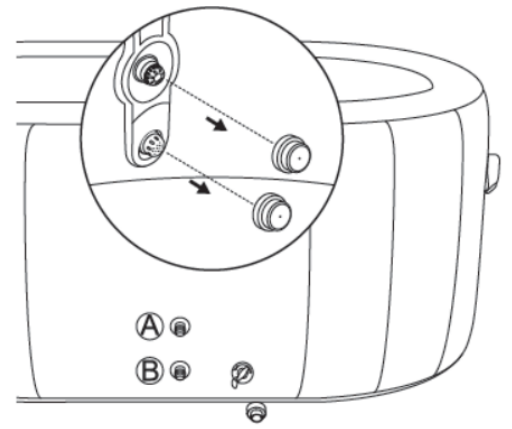
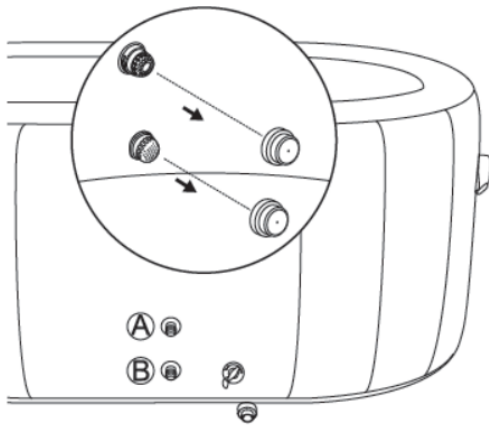




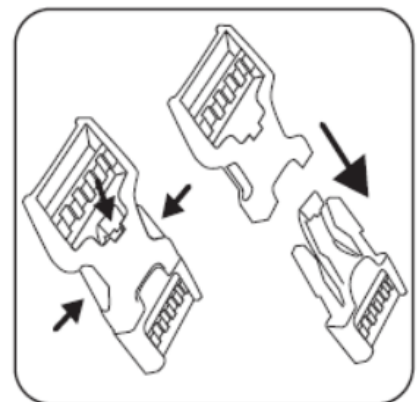
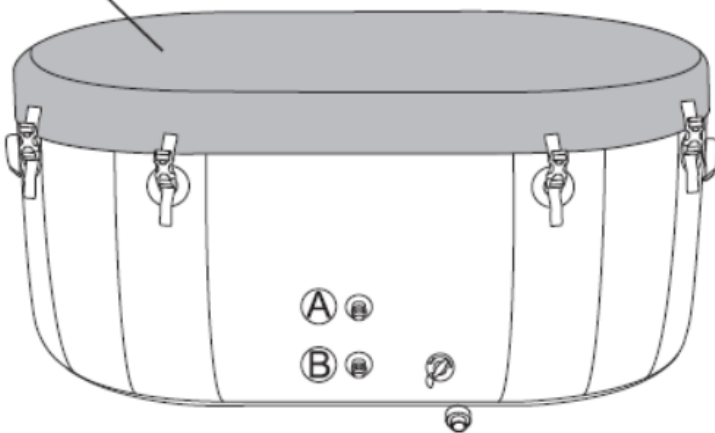


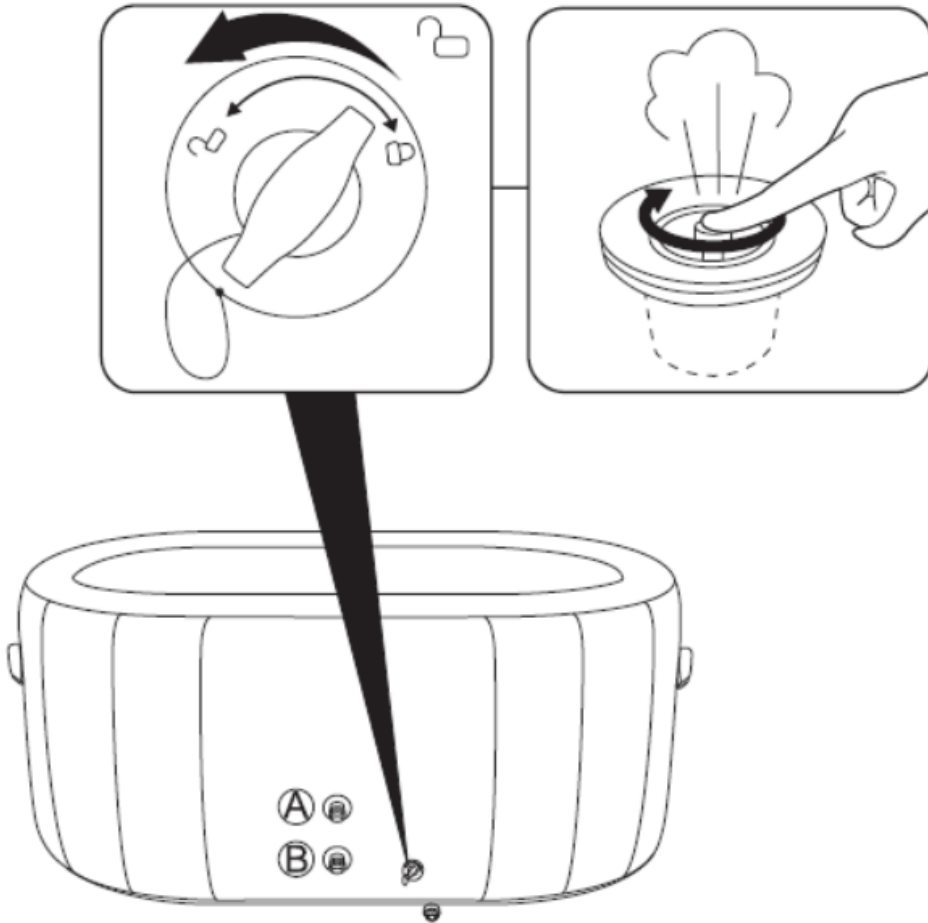
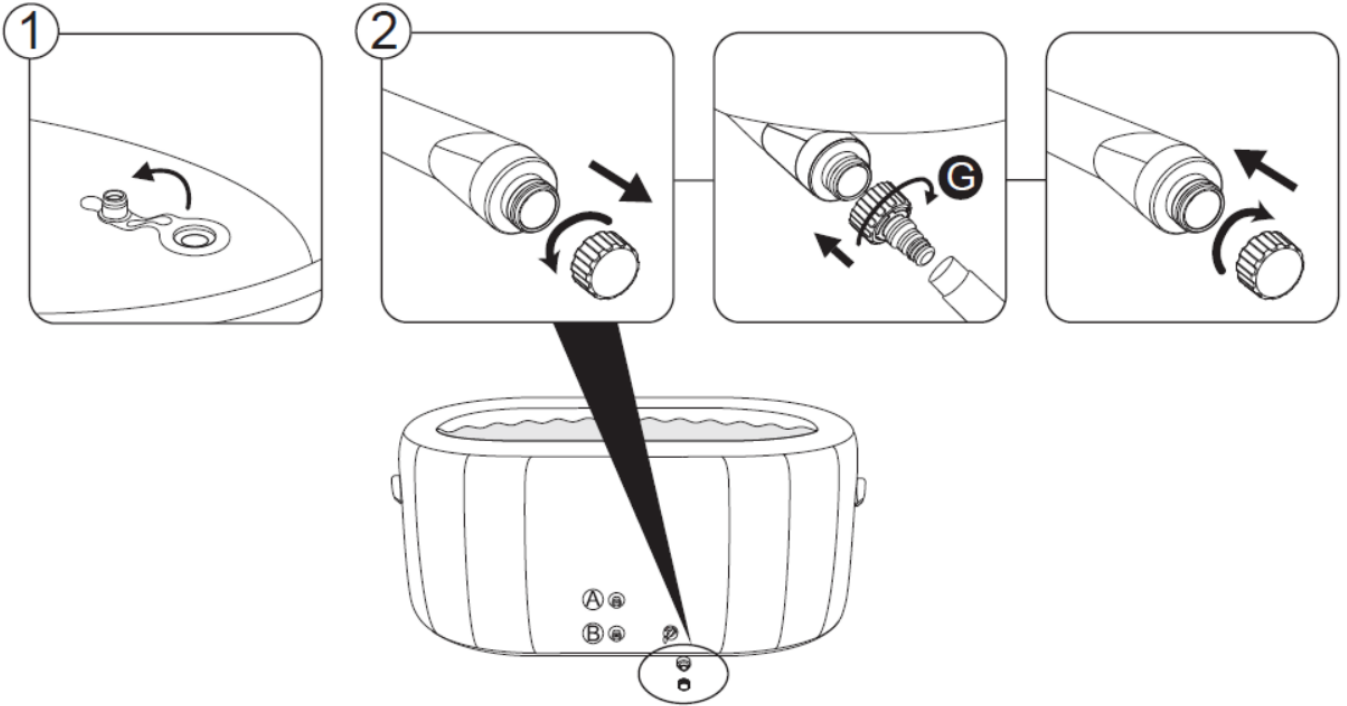


4



B





SAFETY INFORMATION



Visit www.bestwaycorp.com/support for help

WE SUGGEST NOT TO RETURN THE PRODUCT TO THE STORE

QUESTIONS? PROBLEMS? MISSING PARTS?

For FAQ, Manuals, Videos Or Spare Parts, Please Visit bestwaycorp.com/support

READ AND FOLLOW ALL INSTRUCTIONS.

Carefully read, understand, and follow all information in this user manual before installing and using the bath. These warnings, instructions, and safety guidelines address some common risks of water recreation, but they cannot cover all risks and dangers in all cases. Always use caution, common sense, and good judgment when enjoying any water activity. Retain this information for future use. In addition, the following information can be supplied depending on the bath type. Keep these instructions in a safe place. If instructions are missing, please contact the manufacturer or search it on the website www.bestwaycorp.com.

Non Swimmers safety

- Continuous, active, and vigilant supervision of weak swimmers and non-swimmers especially in exercise baths, by a competent adult is required at all times (remembering that children under five years of age are at the highest risk of drowning).
- Designate a competent adult to supervise the bath each time it is being used.
- Weak swimmers or non-swimmers should wear personal protection equipment, especially when using the exercise bath.
- When the bath is not in use, or unsupervised, remove all toys from the bath and its surrounding area to avoid attracting children to the bath.

Safety devices

- A safety cover or other safety protection device shall be used, or all doors and windows (where applicable) shall be secured to prevent unauthorized access to the bath.
- Barriers, covers, alarms, or similar safety devices are helpful aids, but they are not substitutes for continuous and competent adult supervision.

Safety equipment

- It is recommended to keep rescue equipment (e.g. a ring buoy) by the bath (if appropriate).
- Keep a working phone and a list of emergency phone numbers near the bath.

Safe use of the bath

- Encourage all users especially children to learn how to swim.
- Learn Basic Life Support (Cardiopulmonary Resuscitation — CPR) and refresh this knowledge regularly. This can make a lifesaving difference in the event of an emergency.
- Instruct all bath users, including children, what to do in case of an emergency.
- Never dive into any shallow body of water. This can lead to serious injury or death.
- Do not use the bath when using alcohol or medication that may impair the bather's ability to safely use the bath.
- When covers are used, remove them completely from the water surface before entering the bath.
- Protect bath occupants from water related illnesses by advising them to keep water treated and practicing good hygiene. Consult the water treatment guidelines in the user's manual.
- Store chemicals out of the reach of children.
- Use the signage provided on the bath or within 2 000 mm of the bath in a prominent visible position.
- Removable ladders, when removed, shall be stored safely where children cannot climb on it.
- Always keep the bath cover on to minimize heat loss during heating of the bath between uses (but not while it is being used). Ensure the cover is fitted tightly, as per manufacturer's instructions to maximize insulation. It shall be recommended that the cover, when not in use, should be kept off the ground to retain its cleanliness (particularly the surface in close proximity to the water bath water surface). The cover should be stored in an appropriate location, where it cannot be damaged, or cause damage.

- Consider that the comfortable temperature range during use may be lower than the maximum safe temperature.
- For aboveground portable baths without floor insulation, consider using an insulating ground cloth underneath the bath to minimize heat loss through the bottom of the bath.
- Maintain clean filters to preserve appropriate working conditions for the pump and avoid unnecessary water replacement.
- **DANGER** — Risk of Accidental Drowning (especially children under 5 years). Caution shall be exercised to prevent unauthorized access to the bath by children. This can be reached by adult supervisor securing the means of access or installing a safety protection device to the bath. To avoid accidents during bath use, ensure that children are kept under constant adult supervision.
- **DANGER** — Risk of Injury. The suction fittings in this bath are sized to match the specific water flow created by the pump. Should the need arise to replace the suction fittings or the pump, be sure that the flow rates are compatible. Never operate the bath if the suction fittings are broken or missing. Never replace a suction fitting with one rated less than the flow rate marked on the original suction fitting.
- This appliance can be used by children aged from 8 years and above and persons with reduced physical, sensory or mental capabilities or lack of experience and knowledge if they have been given supervision or instruction concerning use of the appliance in a safe way and understand the hazards involved. Children shall not play with the appliance. Cleaning and user maintenance shall not be made by children without supervision.
- No part of the appliance is to be located above the bath during use.
- Parts containing live parts, except parts supplied with safety extra-low voltage not exceeding 12 V, must be inaccessible to a person in the bath.
- Parts incorporating electrical components, except remote control devices, must be located or fixed so that they cannot fall into the bath.
- Keep the bath located in a room (indoors/outdoors), with a lockable door that is kept locked when not in use to prevent access to the bath.
- The bath is not for public/commercial use.
- **WARNING** — To reduce the risk of injury/illness:
 - A. The water in a bath should never exceed 40°C / 104°F. Lower water temperatures are recommended for young children and when bath use exceeds 10 min. It is recommended to seek medical advice before use.
 - B. Since excessive water temperatures have a high potential for causing foetal damage during the early months of pregnancy, women should limit bath water temperature and duration of use and should also seek medical advice.
 - C. The user should check the water temperature before entering the bath.
 - D. The use of alcohol, drugs, or medication before or during bath use may lead to unconsciousness, with the possibility of drowning.
 - E. Persons with any medical condition should seek medical advice before using a bath.
 - F. Persons using medication should seek medical advice before using a bath since some medication may induce drowsiness while other medication may affect heart rate, blood pressure, and circulation.
 - G. Avoid putting the head under water at all times.
 - H. Avoid swallowing bath water.
- Whenever the bath is emptied, the filter should be cleaned (and drained/dried, where applicable).
- In the absence of automated and/or continuous water treatment (measurement and chemical dosage) any manual dosing of chemicals shall not be performed while bathers are present in the bath.

WARNING OF THE PUMP

- The pump is to be supplied by an isolating transformer or supplied through a residual current device (RCD) having a rated residual operating current not exceeding 30 mA.
- The supply cord cannot be replaced. If the cord is damaged the appliance should be scrapped.
- Electric installations should follow national wiring rules.

DISPOSAL



Electrical products should not be disposed of with household waste. Please recycle where facilities exist. Check with your local authority or retailer for recycling advice.

Save these instructions.

SETUP INSTRUCTIONS

Overview

Choosing the Correct Location:

- Indoor and outdoor & above ground & portable wiring & portable bath.
- Choose a position that will minimize noise disturbance as much as possible.

The surface chosen to install the bath must respect the following technical characteristics:

- The surface must be flat and smooth. If the surface is inclined or uneven, it can create an unbalanced loading on the structure of the bath. This can damage the welding points.
- The selected surface must be clear of any type of object. Due to the weight of the water, any object under the bath could damage or perforate the bottom of the bath.
- The selected surface must be clear of aggressive plants and weed species. Types of strong vegetation could grow through the liner and create water leakage. Grass or other vegetation that may cause odor or slime to develop must be eliminated from the chosen location.
- The surface must be strong enough to support the maximum weight load of the bath, water and users. We recommend asking a qualified contractor or a structural engineer to verify this requirement. Special attention should be given if the bath is being installed on a suspended floor (e.g. balcony, deck, roof terrace, etc.). Read the filled weight information on the package.
- The selected surface must have a draining system around/under the bath for water that may come out of the bath while exiting, splashing, (abnormal) leaking, accidental overflow, etc., for regular cleaning of the bath and its surroundings, for regular emptying of the bath or for long term bath storage. Special attention should be given to areas that have high water tables, are prone to flooding and/or are sited indoors. Drainage to the surrounding area should allow water to wash away. Where non-porous duckboard flooring is used, it must have drainage under it that can be easily cleaned.

Outdoor Installation:

- Consult your local professional installers for environmental conditions, such as ground water and risk of frost.
- Prevent damage from winterizing, such as water freezing in the pipes and the circulation system. Pipes subject to damage from freezing must have a uniform slope in one direction and must be equipped with valves for drainage or must be capable of having the water removed.
- Do not leave the bath's surface exposed to direct sunlight for long periods of time. We recommend protecting the bath from direct sunlight exposure with a cover when not in use.

Indoor Installation:

- Consult your local government authority for installation regulations.
- There must be suitable air treatment in the bath chamber (ventilation and dehumidification) to preserve users' safety comfort and the building and decorative materials present in the room.
- Do not install the bath on carpet or other floor materials (e.g. untreated cork, timber or other porous materials) that promote or harbor moisture and bacteria, or that could be affected by water treatment chemicals used in the bath.

Suggested surfaces: grass, ground, concrete and all other surfaces that respect the above set-up conditions.

Surfaces to avoid: mud, sand, gravel, deck, balcony, driveway, platform, soft/loose soil or other surface that does not meet the above set-up conditions.

Follow the important instructions above to choose the correct surface and location to set up your bath. If parts become damaged because the set-up surface and location does not adhere to these instructions, it will not be considered a manufacturer defect and will void the warranty and any service claims.

Additional Guidelines:

Check with your local city council for bylaws relating to fencing, barriers, lighting and safety requirements, and ensure you comply with all laws.

If you must change locations during set-up, lift the liner to move it; do not drag it on the ground. The friction between the bottom and the ground can damage the liner.

We recommend unfolding and inflating the liner at room temperature above 15°C / 59°F. Once the liner is inflated, you can move it outside or use it in any ambient temperature.

Parts & Tools Needed

Compare the parts in your box to the parts listed in this manual. 

Verify that the equipment components represent the model that you had intended to purchase. If any parts are damaged or missing at the time of purchase, visit our website bestwaycorp.com/support.

Assembly Instructions


For installation instructions, follow the illustrations inside the manual. 

Drawings are for illustration purposes only. May not reflect actual product. Not to scale.

Assembly of the bath can be completed without additional tools.

Bestway is not responsible for damage caused to the bath due to mishandling or failure to follow these instructions.

IMPORTANT: It is imperative to check that the hydraulic connectors are not obstructed.

IMPORTANT: Do not dry run the filter pump. Make sure both the bath's inlet and outlet are open and fully covered by water. Before switching on the filter pump, perform the air discharging operation as shown. 

AIR DISCHARGING OPERATION: Follow these steps to discharge air before switching the filter pump on and after every maintenance operation. Omitting this operation will greatly affect the lifespan of the product.

Helpful Installation Tips:

The bath can be used when the environment temperature is above -20°C / -4°F . We strongly suggest opening the package and assembling the bath when the ambient temperature is above 15°C / 59°F . The liner will be more flexible and easier to assemble in this environment.

The pressure gauge is for inflation purposes only, and the value of the pressure gauge is just for reference, should not be used as a precision instrument.

Filling the bath:

Consult your local government authority for water regulations related to convenient water supply for filling the bath.

Your bath can be filled with ice and cold water together, just ice or hot water up to 40°C / 104°F .

ATTENTION: Do not use blocky ice with sharp edges that can damage the liner. Do not leave the bath unattended while filling with water. It is highly recommended to use tap water for filling to minimize unwanted content, such as minerals. Do not use sea water. Fill the bath with water after all assembly steps are completed and until the water reaches the proper water level. We strongly recommend filling to the proper water level to avoid the overflow of water.

MAINTENANCE INSTRUCTIONS

Keeping your bath water clean and chemically balanced is necessary. Simply using the filtration system and cleaning the filter cartridge is not enough for proper maintenance of the water.

It is important to prioritize the maintenance and health of your bath water. If you do not adhere to these guidelines, your and your family's health might be at risk.

Water Maintenance:

We recommend you use chemicals to maintain water chemistry and chlorine or bromine tablets (do not use granules) with a chemical dispenser. The chemical maintenance with chemical tablets must be performed with a chemical dispenser or chemical floater. Do not throw chemical products directly into the water. The chemicals will settle on the bottom of the bath and damage and discolor the liner. In the worst cases, it will damage the structure of the bath liner.

Bath damage resulting from the misuse, number of users and overall mismanagement of bath water is not covered by the warranty.

Water quality is directly related to frequency of use, number of users and overall maintenance of the bath. The water should be changed every 3 days if there is no chemical treatment being performed with the water. We recommend that you take a shower before using your bath, as cosmetic products, lotions and other residues on the skin can quickly degrade water quality. Place a bucket of water next to the bath to clean users' feet before they enter the water.

Use a skimmer for the surface and a vacuum cleaner for the bath bottom regularly to avoid settled dirt. If they are not included in the set, you can purchase them by visiting our website (www.bestwaycorp.com) or by visiting the nearest supply store.

Chemical Usage:

Your bath set may not include a chemical dispenser. In this case, you can purchase one by visiting our website (www.bestwaycorp.com) or by visiting the nearest supply store. Remove the chemical dispenser when the bath is in use. After performing chemical maintenance and before using the bath, use a test kit (not included) to test the water chemistry. We recommend maintaining your water's chemical balance as shown in the table below.


Exceeding the following parameters can damage the structure of the liner and create a dangerous situation for the users.

| Parameters | Values |
|---------------------|-------------------------------|
| Water clarity | clear view of the bath bottom |
| Colour of the water | no colour should be observed |

| | |
|--|---|
| Turbidity in FNU/NTU | max. 1,5 (preferably less than 0,5) |
| Nitrate concentration above that of fill water in mg/l | max. 20 |
| Total organic carbon (TOC) in mg/l | max. 4,0 |
| Redox potential against Ag/AgCl 3,5 m KCl in mV | min. 650 |
| pH value | 6,8 to 7,6 |
| Free active chlorine (without cyanuric acid) in mg/l | 0,3 to 1,5 |
| Free chlorine used in combination with cyanuric acid in mg/l | 1,0 to 3,0 |
| Cyanuric acid in mg/l | max. 100 |
| Combined chlorine in mg/l | max. 0,5 (preferably close to 0,0 mg/l) |

Please consult your local bath or chemical supply retailer for more information about chemical maintenance. Pay close attention to the chemical manufacturer's instructions.

Ongoing Bath Maintenance:

For liner maintenance, refer to the illustration steps inside the manual. 

When the bath is being used, the cover should be placed in a clean, dry area, otherwise it can pick up dirt and bacteria.

Covers should not be put on wooden tables or wooden decking because of the risk of bleaching the wood. Covers must be cleaned inside and out periodically using a suitable solution that includes adequate disinfection.

A cover lifter, or similar device, is useful for ensuring that the cover does not come into contact with the ground. A cover lifter is strongly recommended for baths in rental settings.

In the event of a leak, you can find the instructions in the FAQs on the support section of our website (www.bestwaycorp.com/support).

Filter Pump Maintenance:

For maintenance instructions, refer to the illustration steps inside the manual. 

Drawings are for illustration purposes only. May not reflect actual product. Not to scale.

The filter pump can only run when the ambient temperature is above 10°C / 50°F.

The filter pump can only run when the water temperature is above 5°C / 41°F.

Make sure that the filter pump is unplugged before any maintenance.

To optimize the Filter Pump performance and for sanitary reasons, we suggest replacing the filter cartridge with a new one every two weeks.

DISASSEMBLY & STORAGE INSTRUCTIONS

Draining:

For draining, refer to the illustration steps inside the manual. 

Drawings are for illustration purposes only. May not reflect actual product. Not to scale.

IMPORTANT: Before draining the bath, make sure to manually remove any remaining ice from the bath. Avoid turning the bath upside down, which can damage the liner or cause injury to your hands due to the heavy weight.

Cleaning:

1. Rinse the bath liner with tap water to remove any residue left by chemicals or debris. Do not clean the bath with strong bleach-based detergents to avoid degrading the material.
2. Leave the flattened liner in the sunlight until it's completely dry.
3. To remove the remaining water completely, wipe the bath liner with a dry cloth.

Storage:

Remove all accessories. Be sure that the bath liner and accessories are completely clean and dry before storage. If the bath is not completely dry, mold may result and will damage the bath liner during the storage period.

Once the bath is completely dry, sprinkle with talcum powder to prevent the liner from sticking together. We strongly recommend disassembling the bath when the ambient temperature is above 15°C / 59°F.

Before storage, remove and dispose of the filter cartridge.

Fold the bath liner only if the ambient temperature is above 15°C / 59°F. Store the bath in a dry place with a moderate temperature between 15°C / 59°F and 38°C / 100°F and keep the bath liner and all accessories inside a cardboard box to better protect the PVC material during the winter period.

WARRANTY TERMS

For support and product registration, please visit bestwaycorp.com/support.