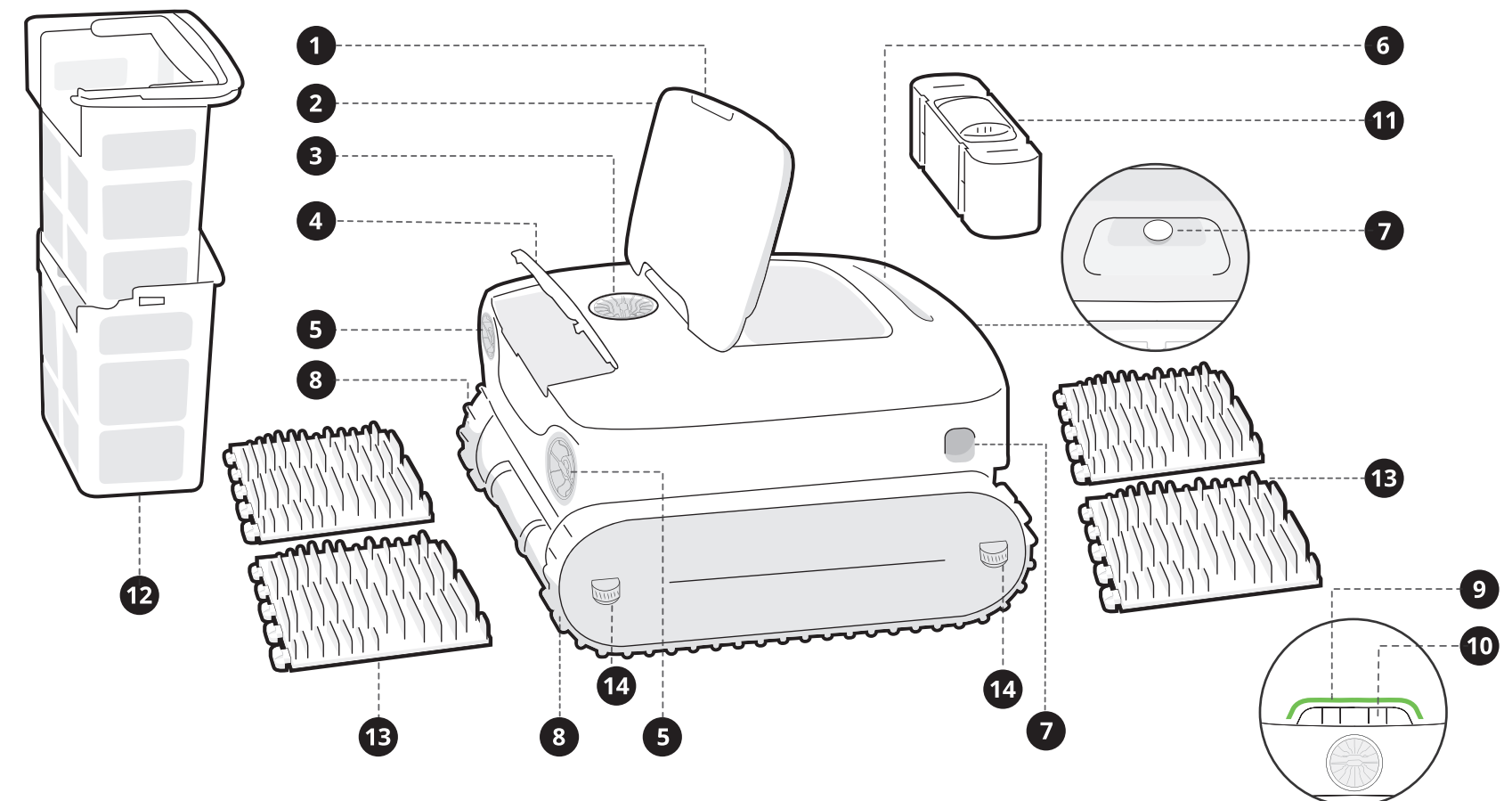


AquaSense 2 Pro

Quick Start Guide

Beatbot

Product Structure Diagram

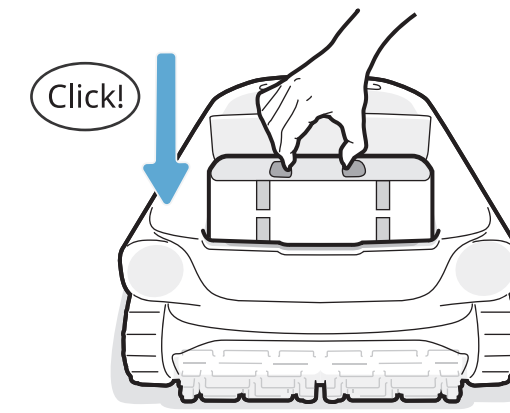
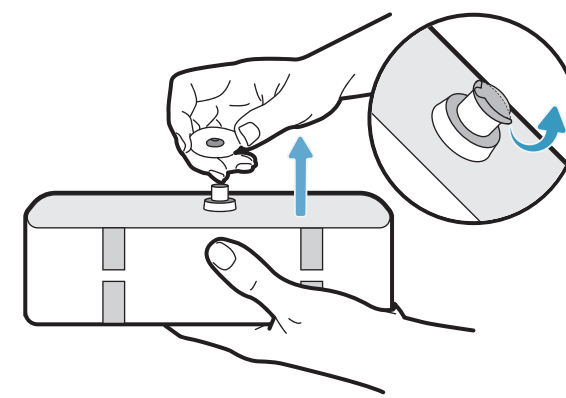


- | | | |
|-----------------------|-----------------------|----------------------------|
| 1 Push-to-open Switch | 6 Handle | 11 Clarifying Agent Kit |
| 2 Filter Basket Cover | 7 Ultrasonic Sensor*2 | 12 Dual Filter Basket |
| 3 Water Outlet | 8 Track Wheel*2 | 13 Dual-Group Roller Brush |
| 4 Agent Kit Cover | 9 Panel Indicator | 14 Guide Wheel*4 |
| 5 Propeller*2 | 10 Mode Button | |

1 Installation

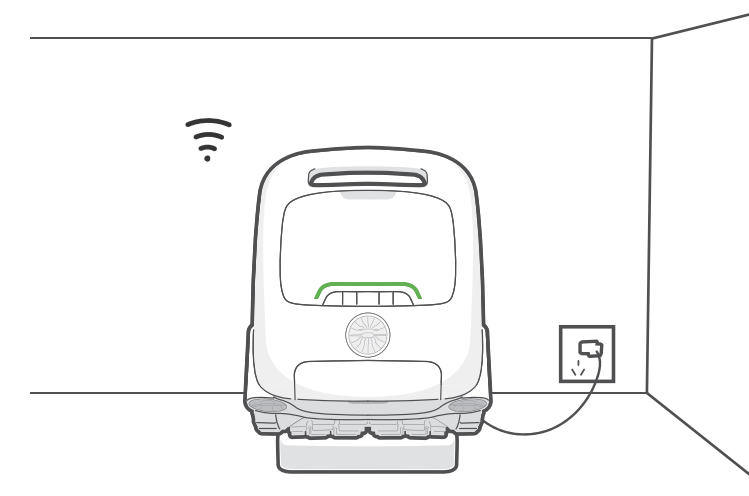
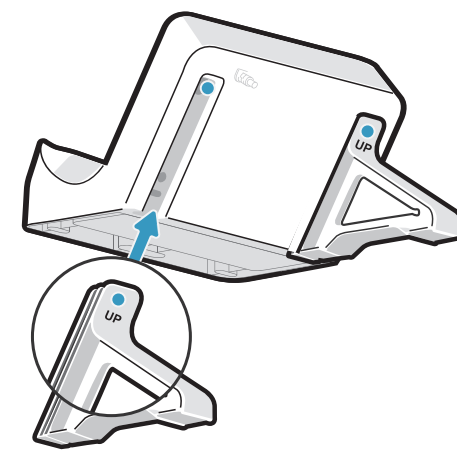
1. Clarifying Agent Kit

- Remove the cap and tear off the aluminum film
- Install it onto the robot with the interface facing down



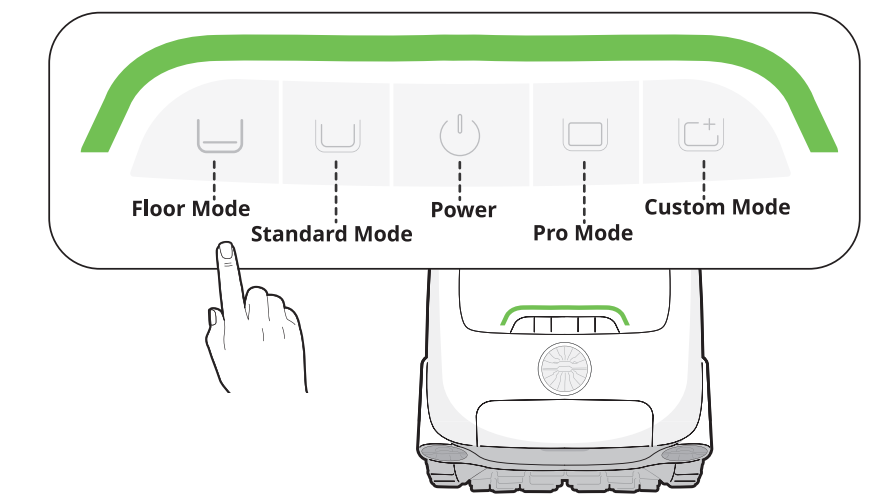
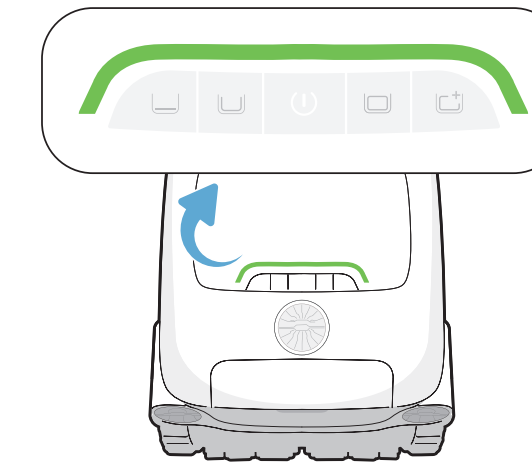
2. Charging Dock

- Install the bracket properly
- Place the robot onto it and start charging

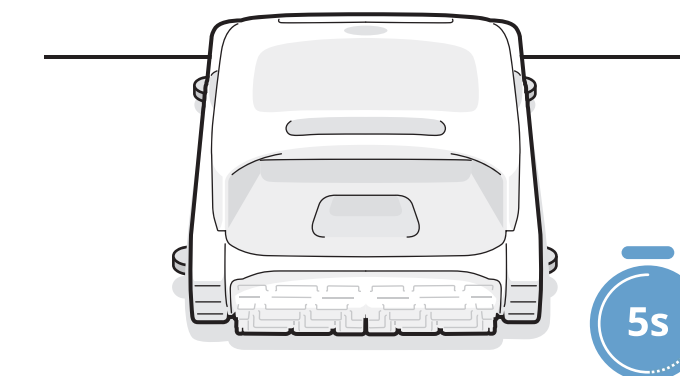


3 Preparations Before Cleaning

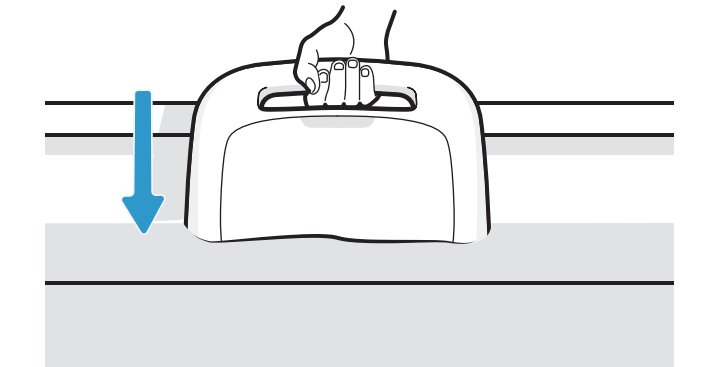
- Make sure the robot is sufficiently charged before using
- Select the cleaning mode



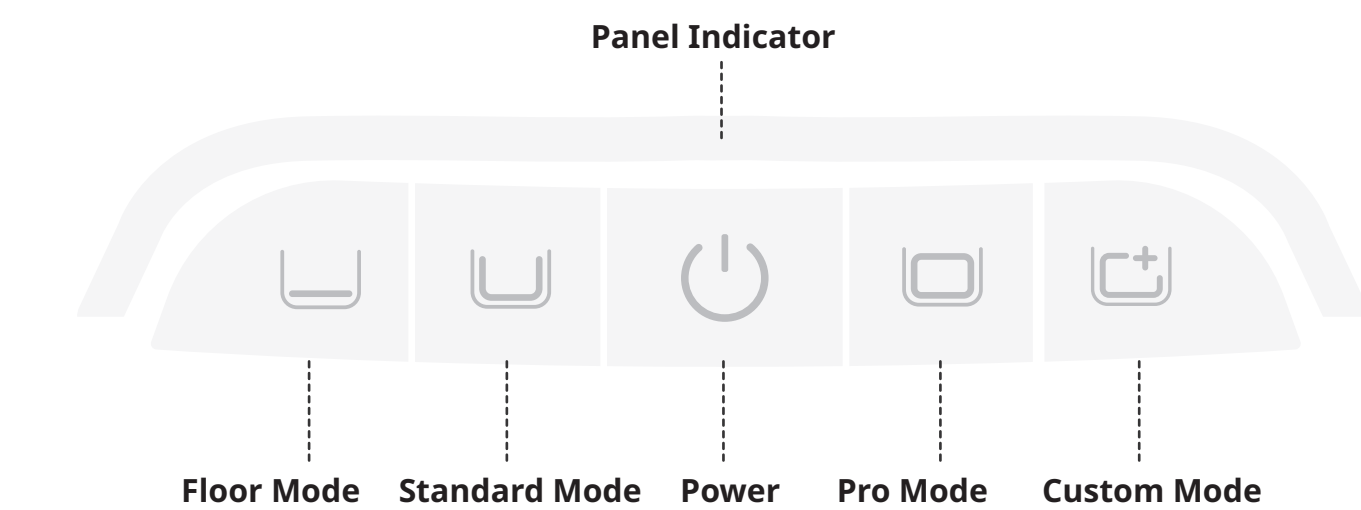
- Place the robot on a level surface and wait for about 5s for it to calibrate



- Put the robot into the water gently to start cleaning



Robot Button&Light Effects



Solid green light		Battery sufficiently charged
Solid yellow light		Battery low
Solid orange light		Battery nearing depletion
Solid purple light		Clarifier dispensing
Flashing blue light		Network configuring/OTA upgrading
Flashing orange light		Robot malfunction
Breathing light		Charging

- Tips**
- During the charging process, the light color reflects the current battery level.
 - After customizing the cleaning area and duration within the App, these settings will be synchronized to the custom mode button.

2 Network Configuration

1. APP Download

Scan the QR code to download the latest version of the App. You can either scan the QR code or search for "Beatbot" in the App Store or Google Play to download the latest App.



2. Robot Connection

Press the "Power" and "Floor Mode" buttons simultaneously for about 3s, and when you see the indicator flashing blue, the robot is ready for network setup. Then, you can choose either of the following methods to complete the connection:

A Add via Bluetooth

Turn on Bluetooth on your phone. Tap "Add Device" on the home page, and it will automatically find your robot.

B Scan to Add

Tap "Scan to Add" on the home page and point your camera at the QR code.

C Add Manually

Tap the "Add Device" on the home page and choose your robot model.

- Tips**
- Make sure your robot is turned on.
 - Make sure both your phone and robot are on the same strong Wi-Fi network and within 1m of each other.

4 Precautions Before Use

- Before cleaning, please make sure there are no foreign objects such as towels or toys in the pool.
- Avoid animals and people from entering the pool during cleaning.
- For optimal cleaning results, it's recommended to operate the robot separately from the circulation pump.
- If it's your first time using the pool this season, manually remove any large debris first. Then, use the robotic pool cleaner to maintain cleanliness. Starting with manual cleaning prevents the robot's filter from clogging quickly due to leftover debris.

Reach out to us is easy!
 E-mail: service@beatbot.com
 Official Website: www.beatbot.com
 North America Toll Free: (833) 702-4399
 Mon-Sun 9:00 am-6:00 pm (CST)



Scan to Check E-Manual