

SYDNEY B/BS [PKB 8mm]

SYDNEY B/BS CLEAR [PK 4mm]

[V-02] BOX



VERZE: 31. 01. 2024 / REVIZE: 31. 01. 2024



BG
 Използването на облицовката вина е гарантирано.
 В допълнение към ANCOB, NF P 90-309
 Използването на облицовката не гарантира никаква защита от
 замръзване или нито пък от повреда на облицовката при
 излагане на слънце.

CZ
 Obložkové zariadenie: linka konforma
 V súlade s ANCOB - NF P 90-309
 Použitie na obloženie krytiny je zárukou, že oplatí
 používať krytinu aj pri nepriaznivých podmienkach.

DE
 Schwimmfolienabdeckung: keine Konformität
 Entsprechend der ANCOB Norm - NF P 90-309
 Die Folie ist für die Abdeckung von Schwimmbecken
 gedacht und muss durch den Eigentümer gesichert werden.

DK
 Bækløberdækning: ikke konformitet
 I overensstemmelse med ANCOB - NF P 90-309
 Dækningsfolien er beregnet til beskyttelse af badebækket
 og skal sikres af ejeren.

ES
 Cubierta de piscina: conformidad ligera
 Conforme a ANCOB - NF P 90-309
 Folio de piscina cubre el agua y protege el agua
 pero que ser asegurado por el propietario.

EE
 Basseerikatte: vastuvõetavus
 Vastavus ANCOB - NF P 90-309
 Jämskõrre katte on mõeldud vee kaitseks ja
 ohutuseks, kuid ei garanteeri ohutust.

FR
 NPI: de piscine: conformité légère
 Conforme à norme ANCOB - NF P 90-309
 Folio de piscine assure la sécurité de l'eau et
 doit être sécurisé par le propriétaire.

GB
 The swimming pool enclosure: light weight conformity
 In compliance with ANCOB - NF P 90-309
 The enclosure must ensure quality of water,
 or adjacent enclosure has to be secured by owner.

HU
 Medencefedélzet: könnyű konformitás
 ANCOB - NF P 90-309 megfelel
 A medence fedélzetét a víz védelmére kell biztosítani.

HR
 Nadstrešnica bazena: laka konformacija
 U skladu sa ANCOB - NF P 90-309
 Ovakva nadstrešnica je namijenjena zaštiti
 površine bazena, ali ne garantira sigurnost.

CN
 游泳池 遮盖膜
 符合 ANCOB 标准 - NF P 90-309
 游泳池遮盖膜用于保护池水，但不保证安全。

IT
 Copertura per piscine: conformità leggera
 Conforme ANCOB - NF P 90-309
 Questo prodotto è destinato a proteggere la superficie
 oppure adiacenti dove essere assicurato dal proprietario.

LT
 Šiluminė vandens base: lėguma konformitacija
 Taisymas ANCOB - NF P 90-309
 Taisymas šiluminė vandens base apsaugoti vandenį
 patalpinant jame, bet ne garantuoja saugumą.

LV
 Bāzēņu jumts: lēga konformitācija
 Saskaņā ar ANCOB - NF P 90-309
 Jumts nodrošina ūdeni aizsargājošu apšuvumu,
 obligāts ir nodrošināt citādi drošības pasākumus.

PL
 Zadaszkiwnie bazenu: linka konformacja
 Zgodnie z normą ANCOB - NF P 90-309
 Dłozka s konformacji linka konformacji
 przykrywa powierzchnie wody, ale nie gwarantuje
 bezpieczeŃstwa.

RO
 Acoperire pentru piscinã: conformitate ușoară
 În conformitate cu ANCOB - NF P 90-309
 Acoperirea este concepută să protejeze suprafața
 sau adiacentă și să asigure siguranța.

RU
 Тканевый для бассейнов: левая конформность
 В соответствии с ANCOB - NF P 90-309
 Тканевый материал предназначен для защиты
 поверхности бассейна, но не гарантирует безопасность.

SE
 Pooltak: lät konformitet
 I överensstämmelse med ANCOB - NF P 90-309
 Pooltak är avsett för skydd av poolens yta
 eller angränsande till målet säkerhet av ägaren.

SL
 Nadstrešnica za bazen: laka konformacija
 V skladu s ANCOB - NF P 90-309
 Laka konformacija je namenjena za zaščito
 površine bazena ali ne zagotavlja varnosti.

SK
 Obložkové zariadenie: linka konformácia
 V súlade s ANCOB - NF P 90-309
 Použitie na obloženie krytiny je zárukou, že oplatí
 používať krytinu aj pri nepriaznivých podmienkach.



| TYP | PRODUKT |
|-----|---|
| KL | SYDNEY - kolej vlevo |
| | SYDNEY - Rails on the left side only |
| | SYDNEY - einseitige Schiene links |
| | SYDNEY - rail d'un seul coté à gauche |
| | SYDNEY - в исполнении с рельсами с одной стороны - налево |

| TYP | PRODUKT |
|-----|--|
| KP | SYDNEY - kolej vpravo |
| | SYDNEY - Rails on the right side only |
| | SYDNEY - einseitige Schiene rechts |
| | SYDNEY - rail d'un seul coté à droit |
| | SYDNEY - в исполнении с рельсами с одной стороны - направо |

1SP11-01-032

DIN 7982
4,8 x 13
3x

1

1SZ12-03-021

2x

2

1SZ18-02-001D

4x

3

1SZ18-02-002D

4x

4

1SZ18-01-097

2x

5

1SP07-01-014

ø4 x 8
4x

6

1SP07-01-001

ø4 x 10
112x

7

1SZ03-01-035

DIN 914
M6x14
4x

8

1SP01-01-016

ø8 x 80
28x

9

1SZ12-01-051

4x

10

1SZ29-01-008

4x

11

1SZ03-01-040

4x

12

1SP11-01-029

AN 9051
6,3 x 50
2x

13

1SP11-01-031

AN 9051
6,3 x 70
50x

14

1SP11-01-027

AN 9051
6,3 x 38
4x

15

1SP11-01-053

AN 9051 A4
6,3 x 32
22x

16



1NA03-01-050

1x

17

1SZ01-02-007 1SP03-01-008 1SP11-01-010

a b c

9x 9x 27x

DIN 7982 TX

5,5x45

Pouze pro dřevěné a dřevoplastové podlahy
Only for wooden and wood-plastic floors
Nur für Holz- und Holz-Kunststoffböden
Uniquement pour les planchers en bois et en bois-plastique
Только для деревянных и древесно-пластиковых полов

2Z06-03-SD001

9x

19

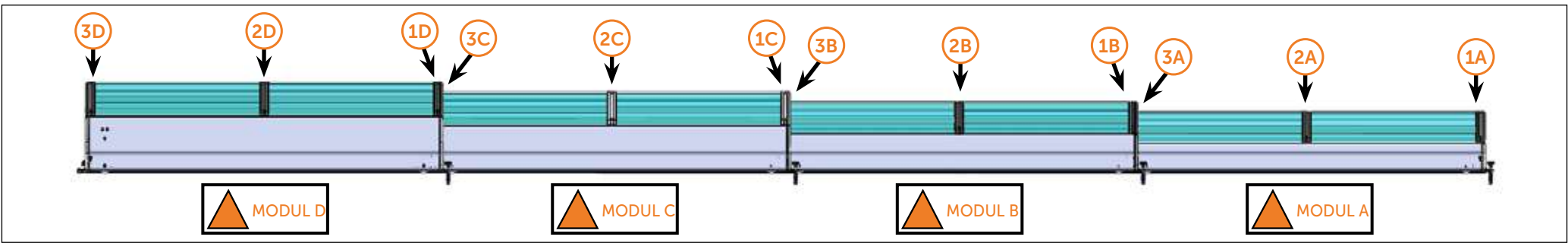
2Z06-03-SD004

6x

4x

KEY

20



2Z12-03-SM005D - 1A
2Z12-03-SM006D - 2A
2Z12-03-SM007D - 3A

MODUL A

| | | |
|----|----|----|
| 1A | 1x | 21 |
| 2A | 1x | 22 |
| 3A | 1x | 23 |

2Z12-03-SM008D - 1B
2Z12-03-SM009D - 2B
2Z12-03-SM010D - 3B

MODUL B

| | | |
|----|----|----|
| 1B | 1x | 24 |
| 2B | 1x | 25 |
| 3B | 1x | 26 |

2Z12-03-SM011D - 1C
2Z12-03-SM012D - 2C
2Z12-03-SM013D - 3C

MODUL C

| | | |
|----|----|----|
| 1C | 1x | 27 |
| 2C | 1x | 28 |
| 3C | 1x | 29 |



| | |
|---------------------|--|
| 2Z12-03-SM014D - 1D | |
| 2Z12-03-SM015D - 2D | |
| 2Z12-03-SM016D - 3D | |

| | | |
|----------------|----|-----------|
| MODUL D | | |
| 1D | 1x | 30 |
| 2D | 1x | 31 |
| 3D | 1x | 32 |

| | |
|--------------------------------------|---------|
| Sydney BS/ Clear BS 2Z04-01-SD004 | 906 mm |
| Sydney B/ Clear B 2Z04-01-SD001 | 1041 mm |

| |
|-----------|
| 48x |
| 36 |

| | |
|--------------------------------------|---------|
| Sydney BS/ Clear BS 2Z05-01-SD005 | 906 mm |
| Sydney B/ Clear B 2Z05-01-SD001 | 1041 mm |

| |
|-----------|
| 8x |
| 37 |

2Z01-01-SD045

| |
|-----------|
| A |
| 3230 mm |
| 1x |
| 40 |

2Z01-01-SD053 - Sydney BS
2Z01-01-SD047 - Sydney B

| | |
|---------------------|---------|
| Sydney BS/ Clear BS | 1110 mm |
| Sydney B/ Clear | 2190 mm |

| |
|-----------|
| B |
| 1x |
| 41 |



2Z01-01-SD049

| |
|---------|
| D |
| 3230 mm |
| 1x |
| 42 |

2Z01-01-SD002

| |
|---------|
| D |
| 3230 mm |
| 4x |
| 43 |

2Z01-01-SD054 - Sydney BS
2Z01-01-SD043 - Sydney B

| | |
|---------------------|---------|
| Sydney BS/ Clear BS | 1110 mm |
| Sydney B/ Clear | 2190 mm |

| |
|----|
| B |
| 2x |
| 44 |

MODUL A 2Z12-03-DP020

| |
|--------|
| 215 mm |
| 1x |
| 45 |

MODUL D 2Z12-03-DP018

| |
|--------|
| 397 mm |
| 1x |
| 46 |

MODUL A 2Z12-03-DP019

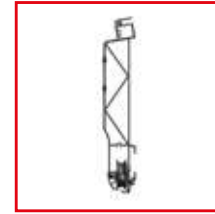
| |
|---------|
| 4049 mm |
| 1x |
| 47 |

MODUL D 2Z12-03-DP017

| |
|---------|
| 4469 mm |
| 1x |
| 48 |



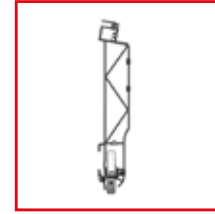
MODUL D



| | |
|--------------------------------------|---------|
| Sydney BS/ Clear BS 2Z02-09-SR017 | 1880 mm |
| Sydney B/ Clear B 2Z02-09-SR007 | 2150 mm |

1x
50

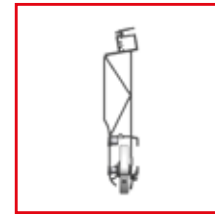
MODUL D



| | |
|--------------------------------------|---------|
| Sydney BS/ Clear BS 2Z02-09-SR018 | 1880 mm |
| Sydney B/ Clear B 2Z02-09-SR008 | 2150 mm |

1x
51

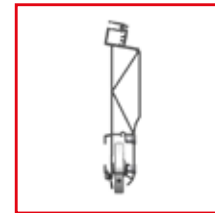
MODUL C



| | |
|--------------------------------------|---------|
| Sydney BS/ Clear BS 2Z02-09-SR015 | 1880 mm |
| Sydney B/ Clear B 2Z02-09-SR005 | 2150 mm |

1x
52

MODUL C


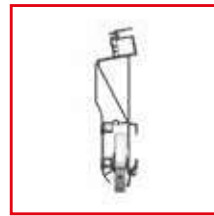


| | |
|--------------------------------------|---------|
| Sydney BS/ Clear BS 2Z02-09-SR016 | 1880 mm |
| Sydney B/ Clear B 2Z02-09-SR006 | 2150 mm |

1x
53




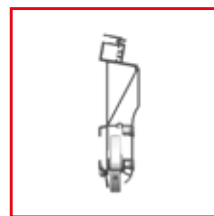
MODUL B

| | |
|--------------------------------------|---------|
| Sydney BS/ Clear BS 2Z02-09-SR013 | 1880 mm |
| Sydney B/ Clear B 2Z02-09-SR003 | 2150 mm |

1x
54

MODUL B

| | |
|--------------------------------------|---------|
| Sydney BS/ Clear BS 2Z02-09-SR014 | 1880 mm |
| Sydney B/ Clear B 2Z02-09-SR004 | 2150 mm |

1x
55



MODUL A




| | |
|--------------------------------------|---------|
| Sydney BS/ Clear BS 2Z02-09-SR011 | 1880 mm |
| Sydney B/ Clear B 2Z02-09-SR001 | 2150 mm |

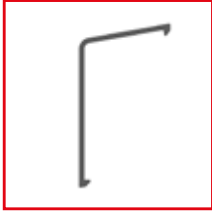
1x
56

MODUL A

| | |
|--------------------------------------|---------|
| Sydney BS/ Clear BS 2Z02-09-SR012 | 1880 mm |
| Sydney B/ Clear B 2Z02-09-SR002 | 2150 mm |

1x
57



| | |
|--------------------------------------|---------|
| Sydney BS/ Clear BS 2Z02-09-SD028 | 1880 mm |
| Sydney B/ Clear B 2Z02-09-SD027 | 2150 mm |

8x
58

2Z12-02-DK010 - Sydney BS
2Z12-03-DK010 - Sydney B
2Z12-06-DK010 - Sydney BS Clear
2Z12-07-DK010 - Sydney B Clear

| | |
|---------------------|----------------|
| Sydney BS/ Clear BS | 2040 x 915 mm |
| Sydney B/ Clear B | 2040 x 1050 mm |

MODUL A

4x
60

2Z12-02-DK011 - Sydney BS
2Z12-03-DK011 - Sydney B
2Z12-06-DK011 - Sydney BS Clear
2Z12-07-DK011 - Sydney B Clear

| | |
|---------------------|----------------|
| Sydney BS/ Clear BS | 2110 x 915 mm |
| Sydney B/ Clear B | 2110 x 1050 mm |

MODUL B

4x
61

2Z12-02-DK012 - Sydney BS
2Z12-03-DK012 - Sydney B
2Z12-06-DK012 - Sydney BS Clear
2Z12-07-DK012 - Sydney B Clear

| | |
|---------------------|----------------|
| Sydney BS/ Clear BS | 2180 x 915 mm |
| Sydney B/ Clear B | 2180 x 1050 mm |

MODUL C

4x
62

2Z12-02-DK013 - Sydney BS
2Z12-03-DK013 - Sydney B
2Z12-06-DK013 - Sydney BS Clear
2Z12-07-DK013 - Sydney B Clear

| | |
|---------------------|----------------|
| Sydney BS/ Clear BS | 2251 x 915 mm |
| Sydney B/ Clear B | 2251 x 1050 mm |

MODUL D

4x
63

2Z12-03-DK003
2Z12-03-DK004

MODUL A

2x
64

2Z12-11-DK001
2Z12-11-DK002

MODUL D

2x
65



2Z12-03-DO009

2x

66

MODUL A

2Z12-03-DO008

2x

67

MODUL D

⚠ only SYDNEY CLEAR ⚠

2Z12-06-DO010 - Sydney BS Clear
2Z12-07-DO010 - Sydney B Clear

| | |
|-------------------|---------|
| Sydney Clear B/BS | 2040 mm |
| Sydney Clear B | 1030 mm |
| Sydney Clear BS | 915 mm |

8x

68

MODUL A

2Z12-06-DO011 - Sydney BS Clear
2Z12-07-DO011 - Sydney B Clear

| | |
|-------------------|---------|
| Sydney Clear B/BS | 2110 mm |
| Sydney Clear B | 1030 mm |
| Sydney Clear BS | 915 mm |

8x

69

MODUL B

2Z12-06-DO012 - Sydney BS Clear
2Z12-07-DO012 - Sydney B Clear

| | |
|-------------------|---------|
| Sydney Clear B/BS | 2180 mm |
| Sydney Clear B | 1030 mm |
| Sydney Clear BS | 915 mm |

8x

70

MODUL C

2Z12-06-DO013 - Sydney BS Clear
2Z12-07-DO013 - Sydney B Clear













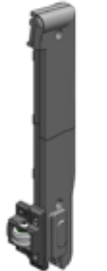
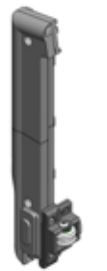
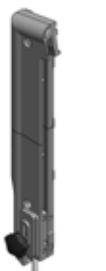
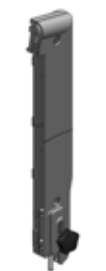
| | |
|-------------------|---------|
| Sydney Clear B/BS | 2251mm |
| Sydney Clear B | 1030 mm |
| Sydney Clear BS | 915 mm |

8x

71


MODUL D



| | | | |
|---|---|---|---|
| MODUL A  2Z09-01-SD076 1x 72 | MODUL A  2Z09-01-SD077 1x 73 | MODUL A  2Z09-01-SD078 1x 74 | MODUL A  2Z09-01-SD079 1x 75 |
| MODUL B  2Z09-01-SD072 1x 76 | MODUL B  2Z09-01-SD073 1x 77 | MODUL B  2Z09-01-SD074 1x 78 | MODUL B  2Z09-01-SD075 1x 79 |
| MODUL C  2Z09-01-SD058 1x 80 | MODUL C  2Z09-01-SD059 1x 81 | MODUL C  2Z09-01-SD060 1x 82 | MODUL C  2Z09-01-SD061 1x 83 |
| MODUL D  2Z09-01-SD054 1x 84 | MODUL D  2Z09-01-SD055 1x 85 | MODUL D  2Z09-01-SD056 1x 86 | MODUL D  2Z09-01-SD057 1x 87 |




2Z09-01-SD020



1x

88


2Z09-01-SD021



1x

89


2Z09-01-SD003



6x

90


1SP10-01-077



DIN 912
M 5x65
4x

91


1SP10-01-084



ISO 7380
M 6x20
12x

92


1SZ18-02-010



8x

93


1SZ18-02-012



16x

94


1SP11-01-049



AN 9051
4,8x60
24x

95


1SP10-01-078



DIN 912
M 6x65
16x

96


1SP10-01-082



DIN 912
M 6x100
16x

97


1SZ03-01-038



8x

98

1SZ03-01-030



16x

99

1SZ12-01-010



28x

100

2Z06-03-SD003



2x

102


1SZ12-01-052



4x

104


1SP11-01-050



AN 9051
4,8x19
2x

105

1SZ04-01-019 1SZ04-01-026 1SP10-01-116 1SP08-01-015



A B C D


DIN 912
M8x20

DIN 440R
M8

2x

106


1SZ12-03-020



1x

107

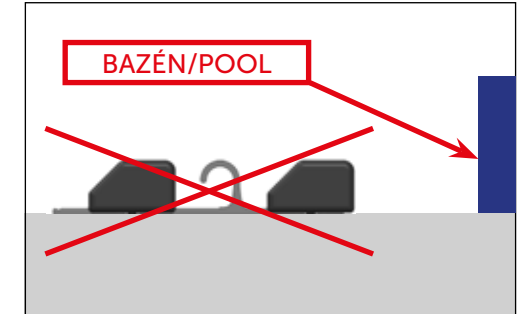
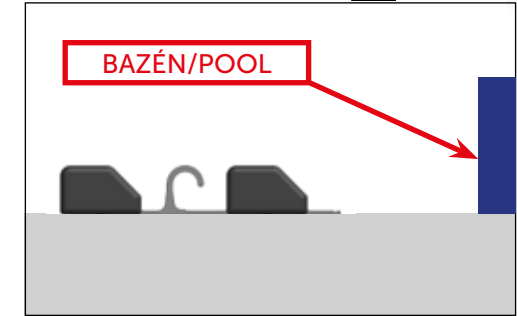
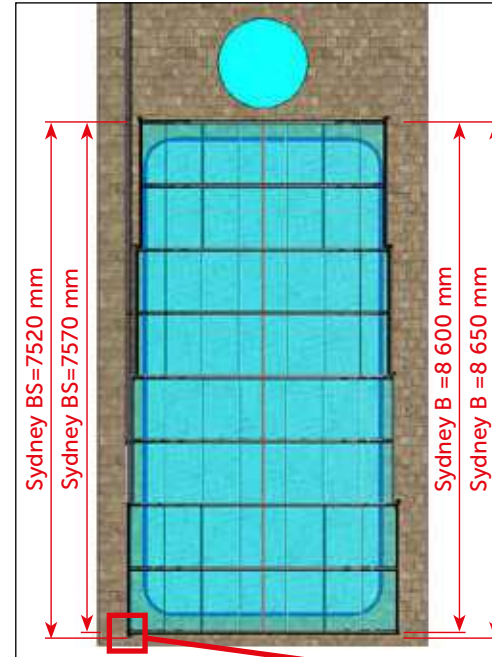
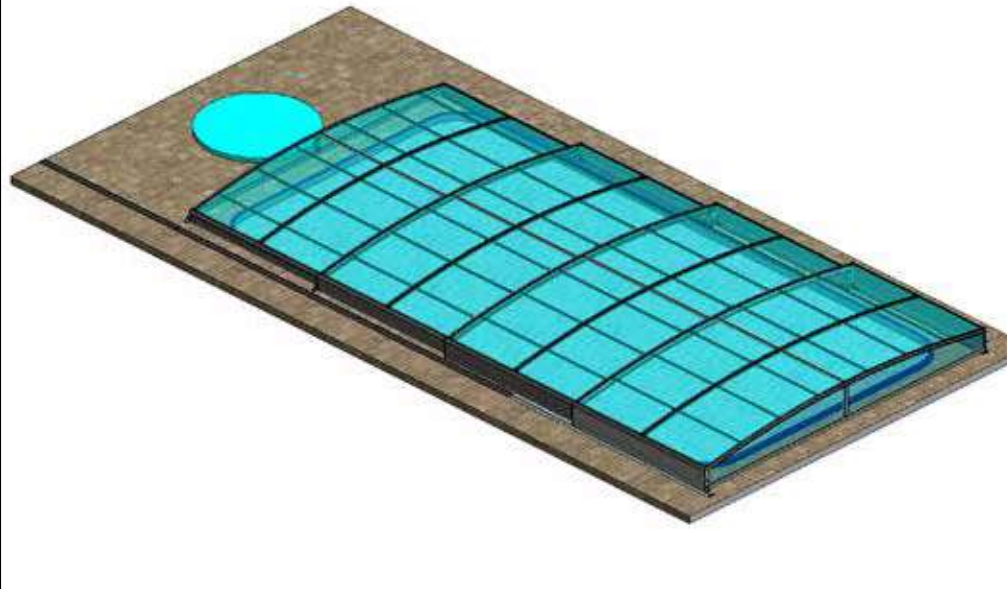
1SP10-01-025



DIN912
M6x25
10x

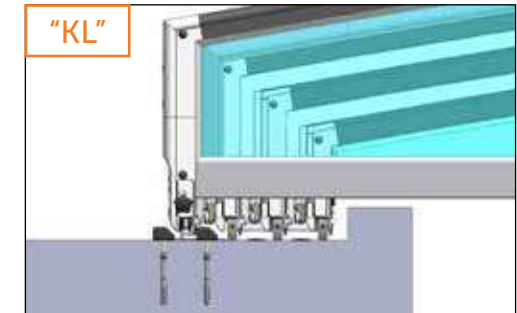
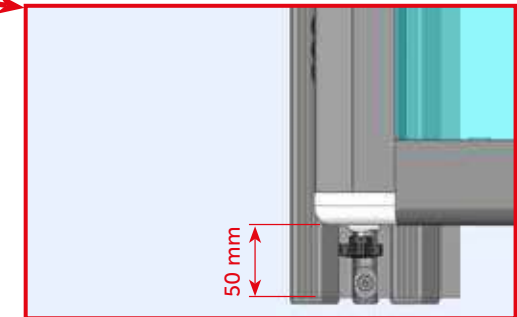
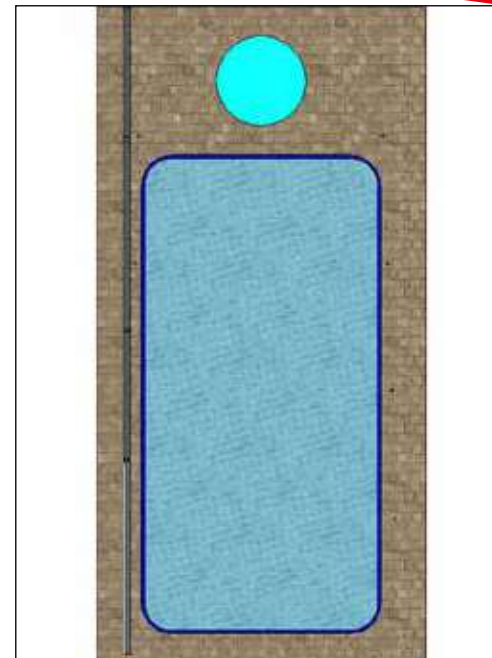
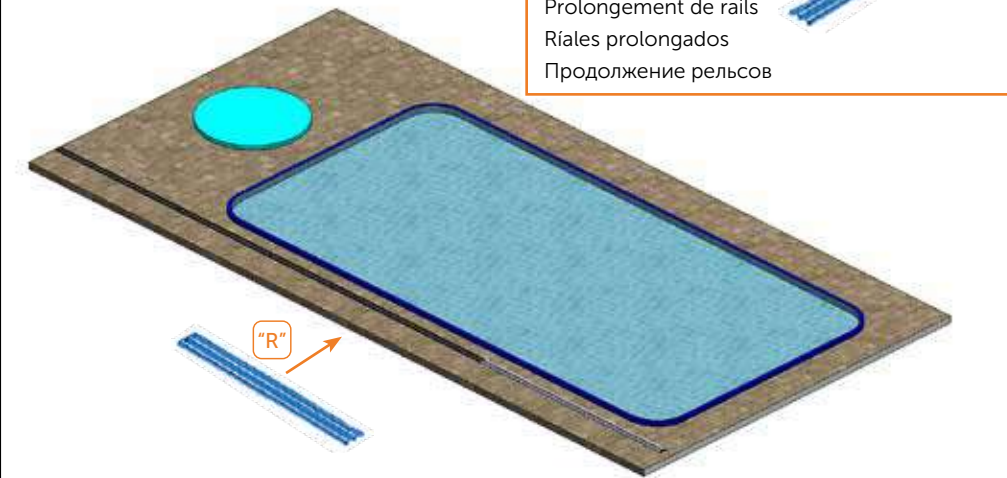
108

OPTIONAL "KL"

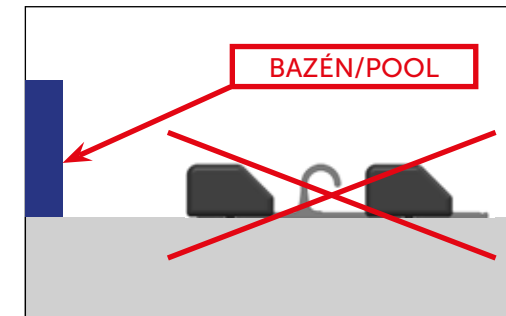
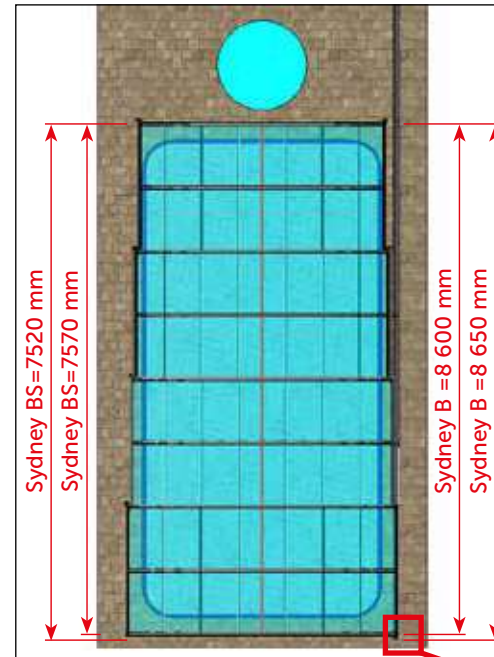
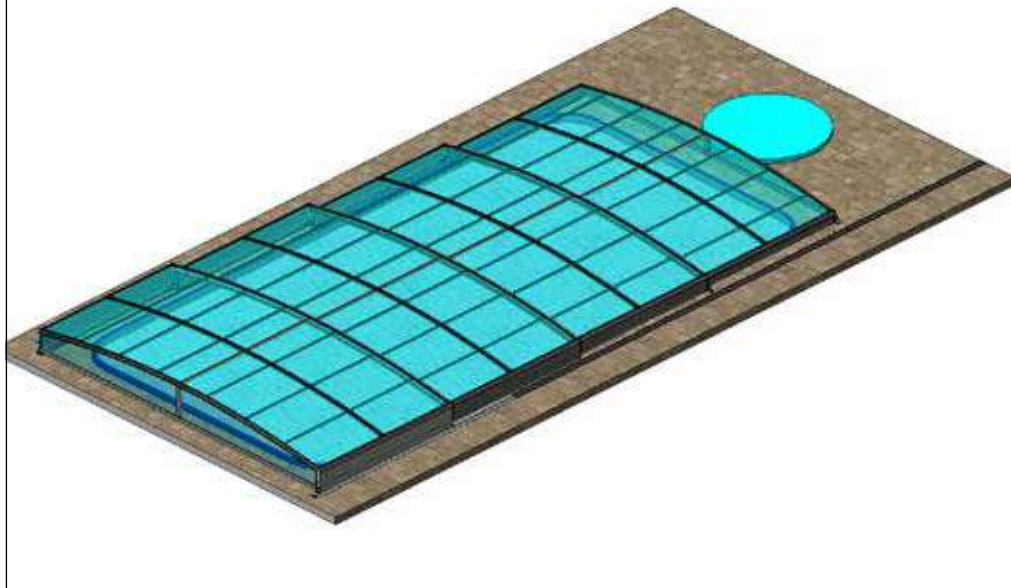


OPTIONAL "R"

- Prodloužení kolejí
- Rail extension
- Schienenverlängerung
- Prolongement de rails
- Riales prolongados
- Продолжение рельсов

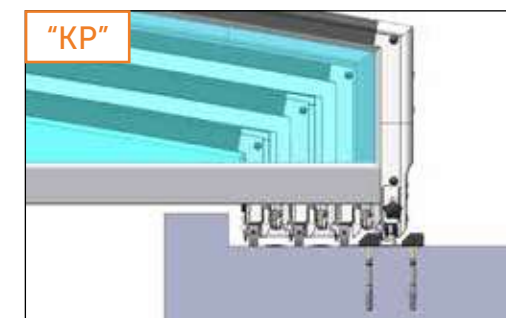
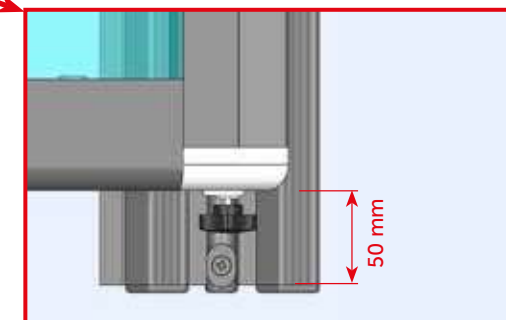
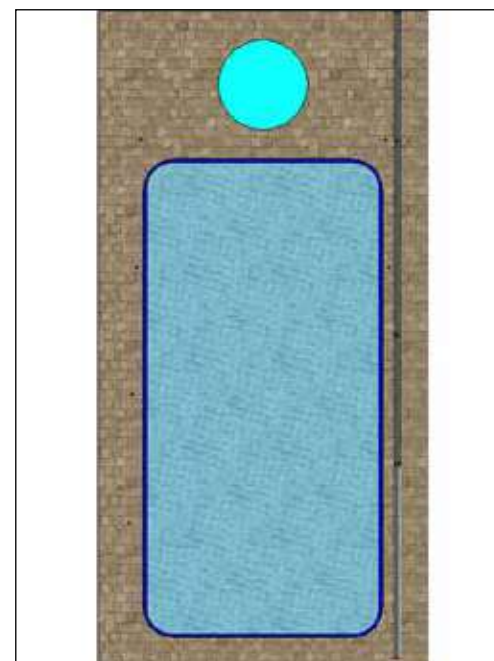
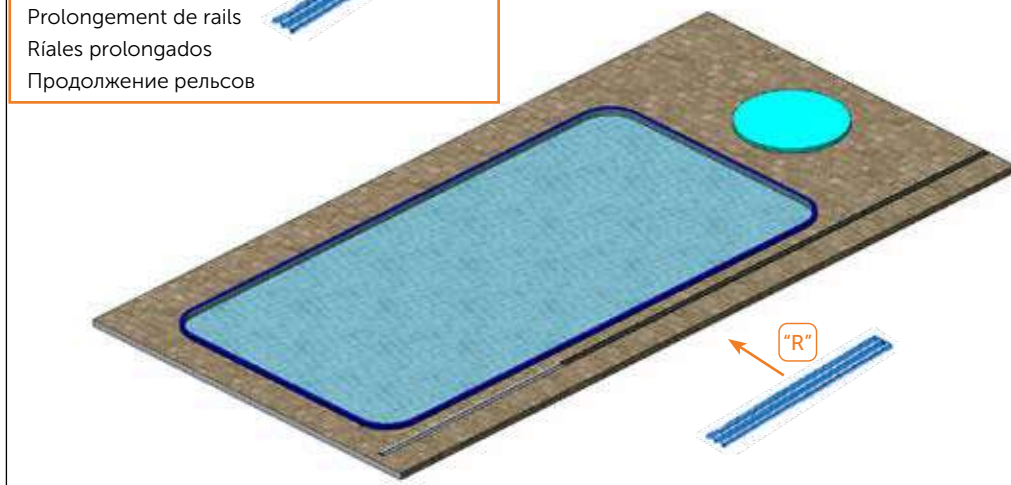


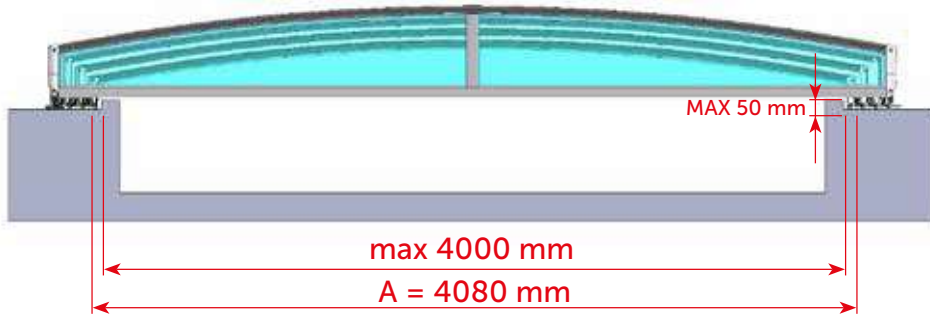
OPTIONAL "KP"



OPTIONAL "R"

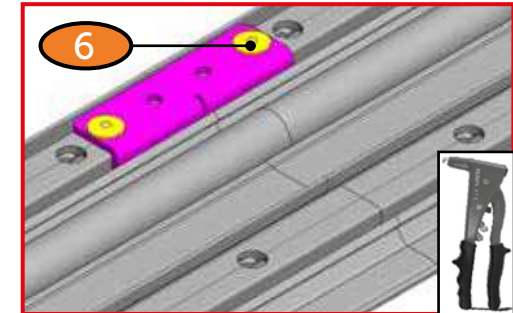
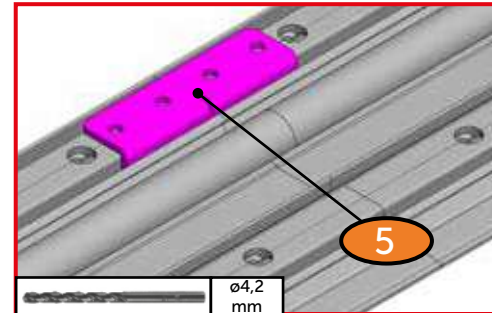
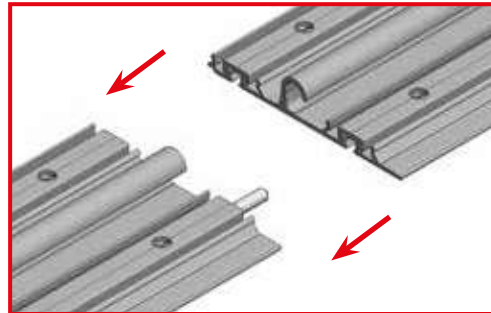
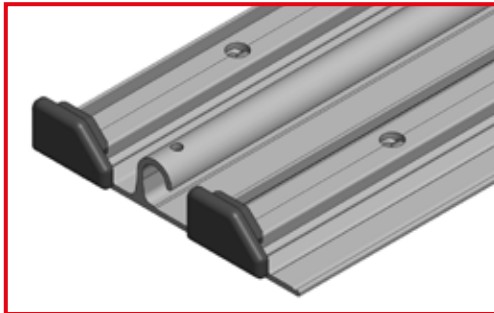
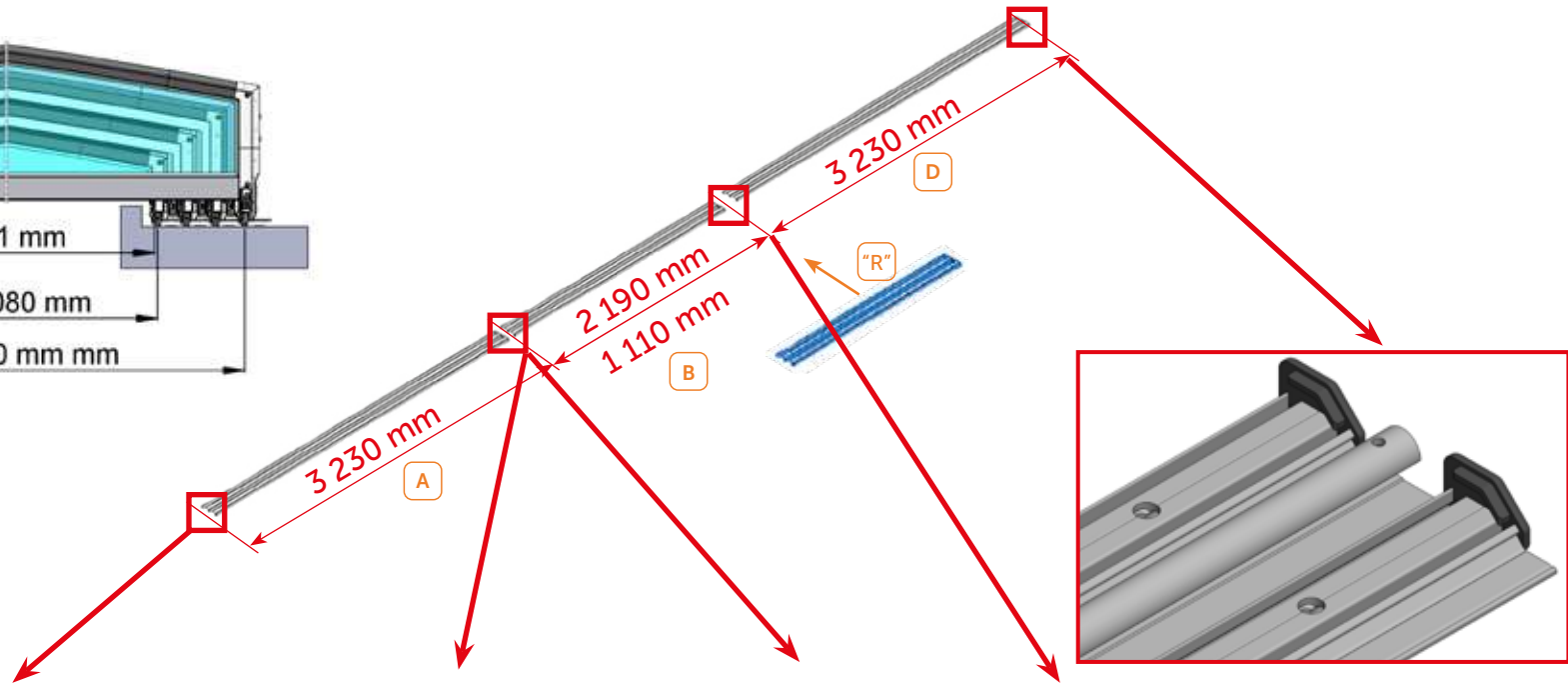
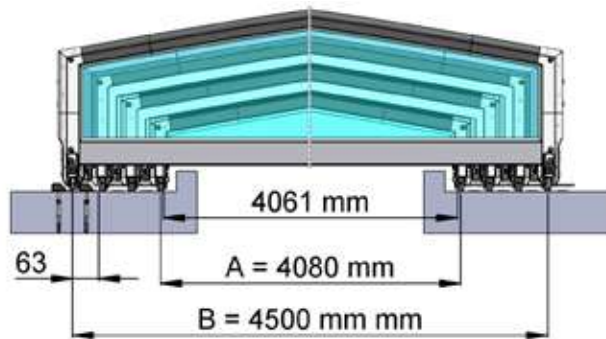
- Prodloužení koleji
- Rail extension
- Schienenverlängerung
- Prolongement de rails
- Riales prolongados
- Продолжение рельсов

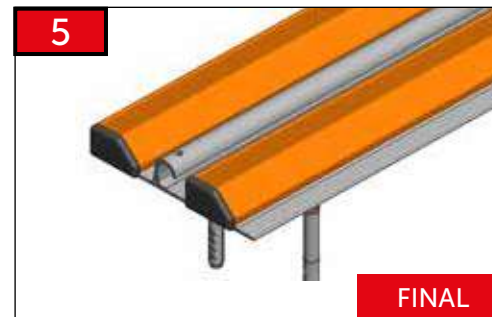
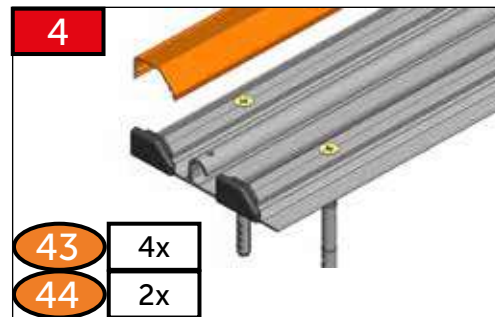
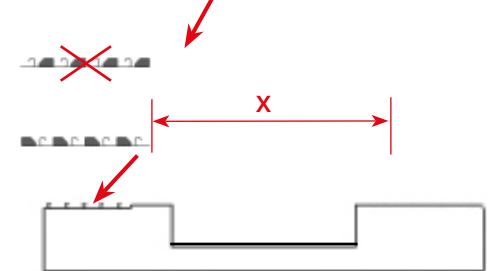
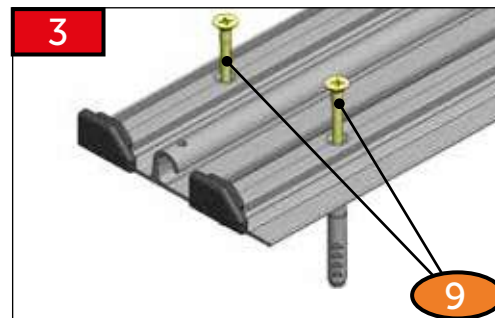
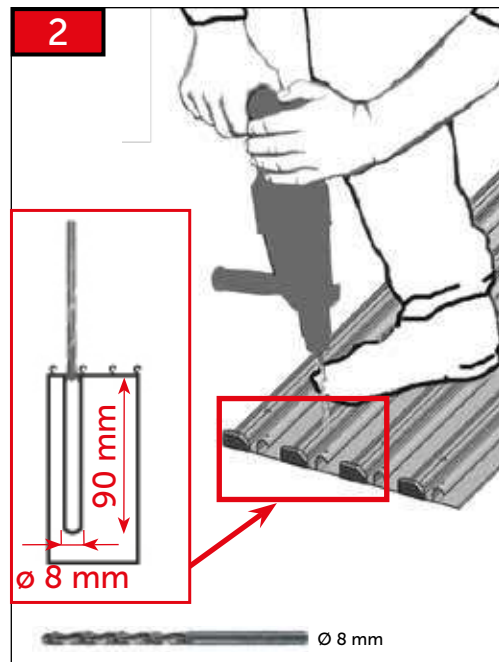
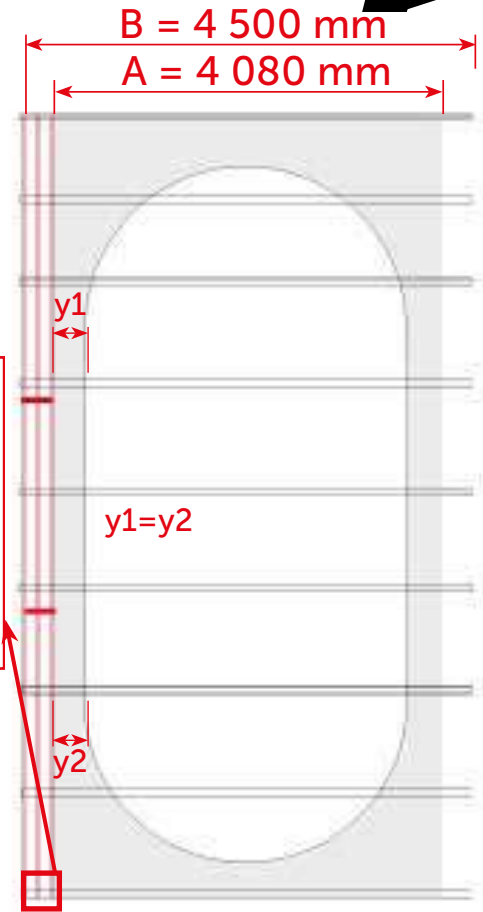
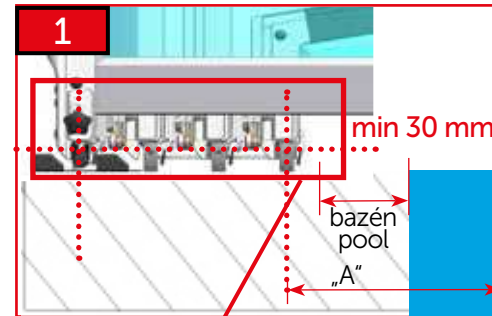
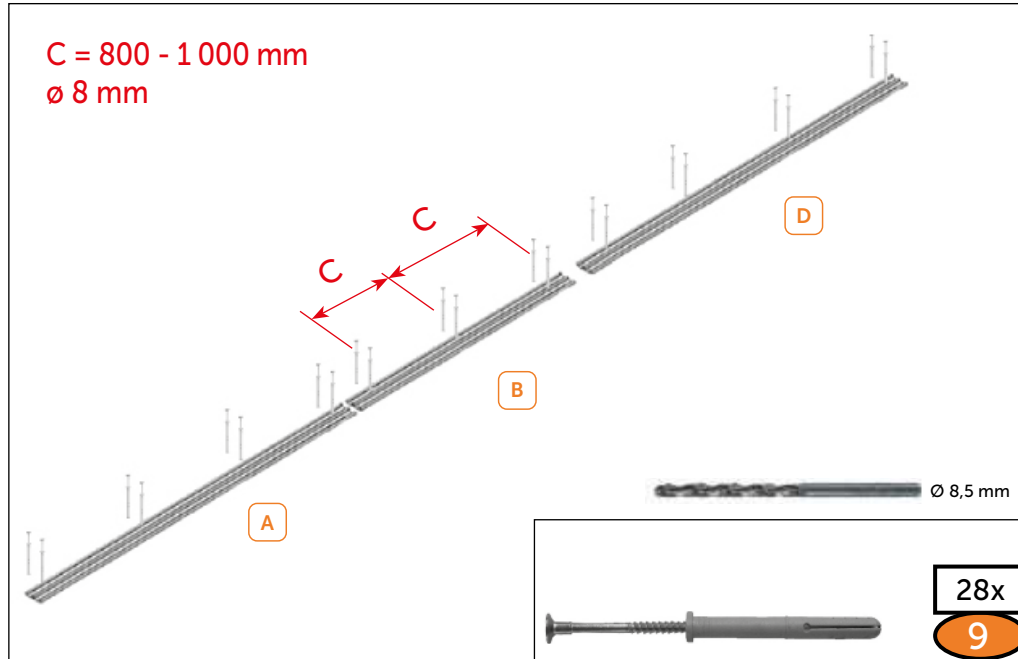




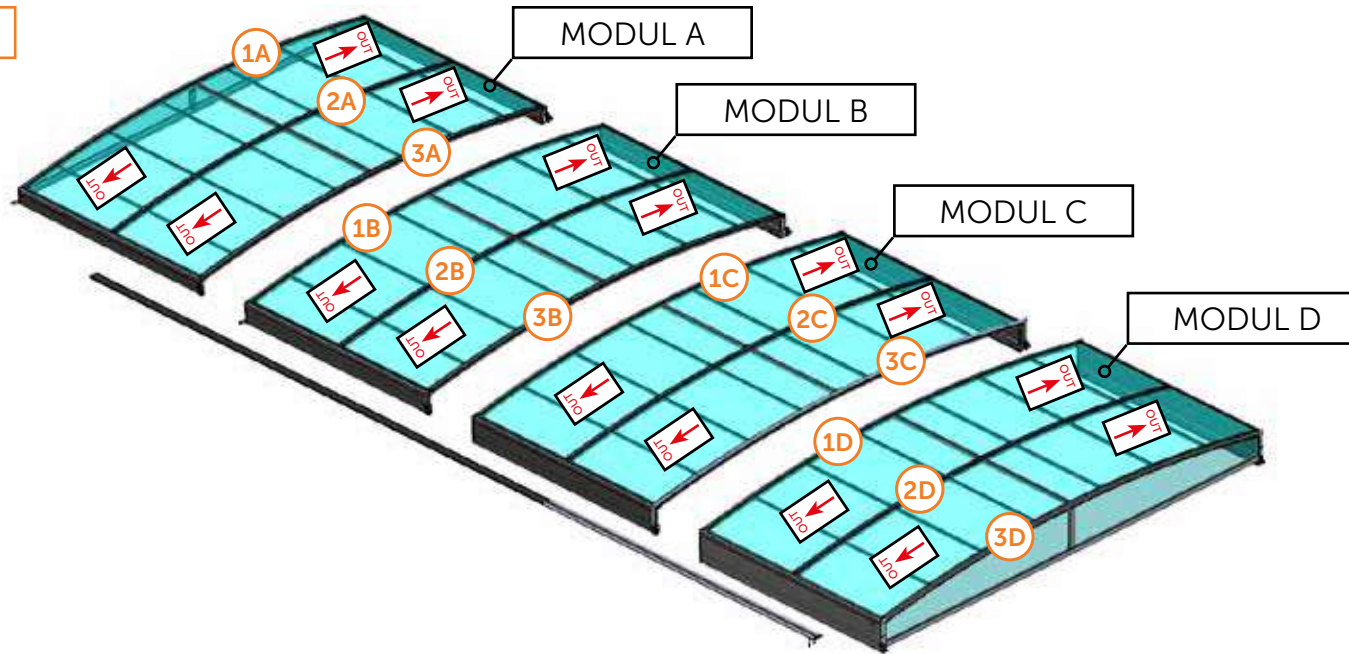
OPTIONAL

- Prodloužení kolejí
- Rail extension
- Schienenverlängerung
- Prolongement de rails
- Ríales prolongados
- Продолжение рельсов

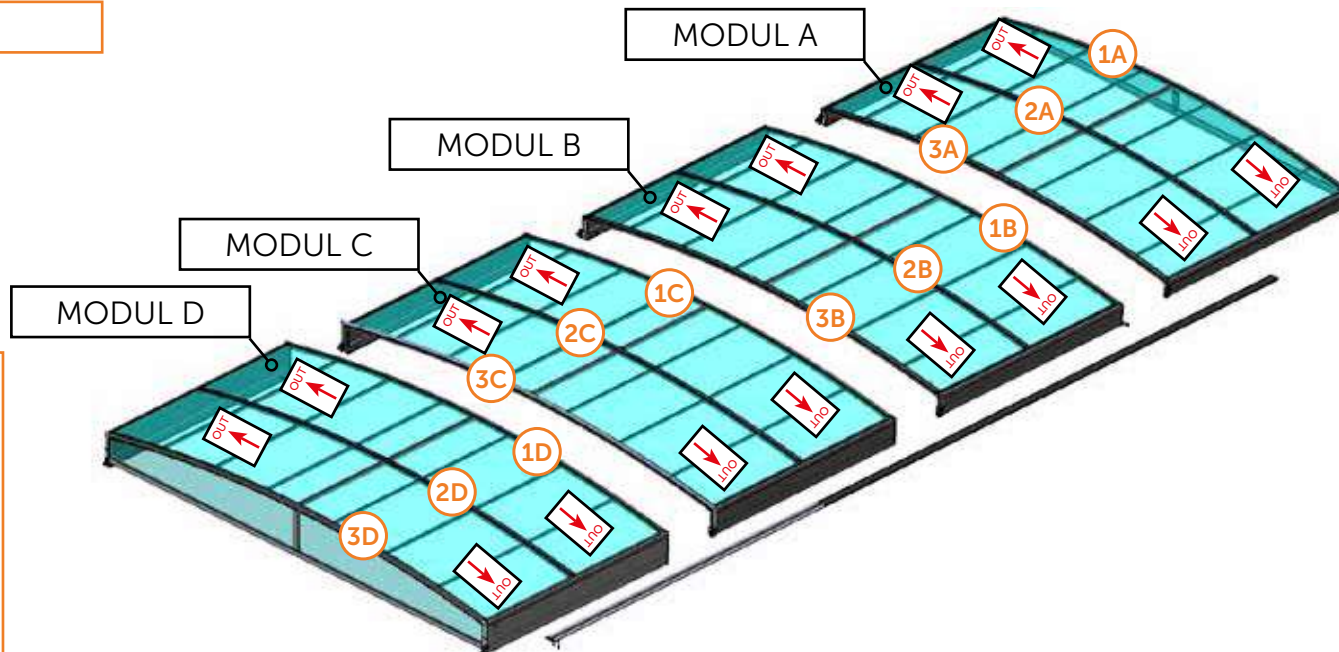




OPTIONAL "KL" - STANDARD

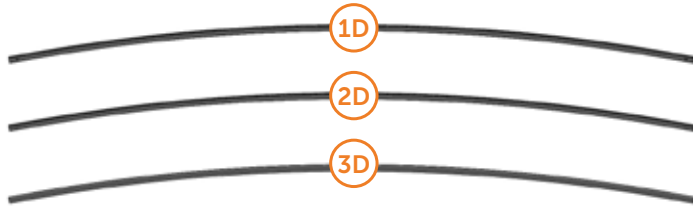


OPTIONAL "KP"



MODUL D

- KL → KP
 = výměna koleček v profilech
 = changing wheels in profiles
 = Radwechsel in Profilen
 = changement de roues dans les profils
 = смена колес в профилях



1SP07-01-001

| |
|---------|
| ø4 x 10 |
| 28x |

7

1SZ03-01-035

| |
|---------|
| DIN 914 |
| M6x14 |
| 2x |

8

1SZ29-01-008

| |
|----|
| 2x |
|----|

11

1SZ03-01-040

| |
|----|
| 2x |
|----|

12

1SP11-01-029

| |
|----------|
| AN 9051 |
| 6,3 x 50 |
| 1x |

13

1SP11-01-031

| |
|----------|
| AN 9051 |
| 6,3 x 70 |
| 13x |

14

1SP11-01-027

| |
|----------|
| AN 9051 |
| 6,3 x 38 |
| 2x |

15

1SP11-01-053

| |
|------------|
| AN 9051 A4 |
| 6,3 x 32 |
| 4x |

16

1NA03-01-050

| |
|----|
| 1x |
|----|

17

| | |
|--------------------------------------|---------|
| Sydney BS/ Clear BS 2Z04-01-SD004 | 906 mm |
| Sydney B/ Clear B 2Z04-01-SD001 | 1041 mm |

| |
|-----|
| 12x |
|-----|

36

| | |
|--------------------------------------|---------|
| Sydney BS/ Clear BS 2Z05-01-SD005 | 906 mm |
| Sydney B/ Clear B 2Z05-01-SD001 | 1041 mm |

| |
|----|
| 2x |
|----|

37

2Z12-03-DP018

| |
|--------|
| 397 mm |
| 1x |

46

2Z12-03-DP017

| |
|---------|
| 4469 mm |
| 1x |

48

OPTIONAL "KL" - STANDARD

| | |
|--------------------------------------|---------|
| Sydney BS/ Clear BS 2Z02-09-SR017 | 1880 mm |
| Sydney B/ Clear B 2Z02-09-SR007 | 2150 mm |

| |
|----|
| 1x |
|----|

50

OPTIONAL "KL" - STANDARD

| | |
|--------------------------------------|---------|
| Sydney BS/ Clear BS 2Z02-09-SR018 | 1880 mm |
| Sydney B/ Clear B 2Z02-09-SR008 | 2150 mm |

| |
|----|
| 1x |
|----|

51

| | |
|--------------------------------------|---------|
| Sydney BS/ Clear BS 2Z02-09-SD028 | 1880 mm |
| Sydney B/ Clear B 2Z02-09-SD027 | 2150 mm |

| |
|----|
| 2x |
|----|

58

| | |
|---------------------|----------------|
| Sydney BS/ Clear BS | 2251 x 915 mm |
| Sydney B/ Clear B | 2251 x 1050 mm |

MODUL D

| |
|----|
| 4x |
|----|

63

| |
|----|
| 2x |
|----|

65

| |
|----|
| 2x |
|----|

67

2Z09-01-SD056

| |
|----|
| 1x |
|----|
















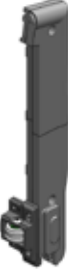
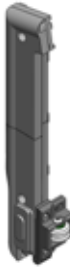



86

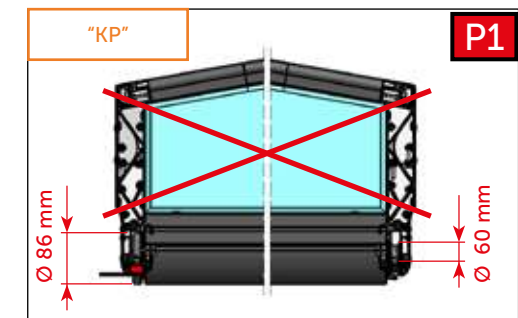
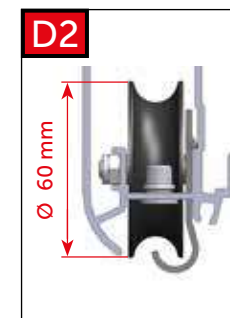
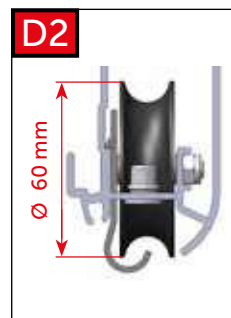
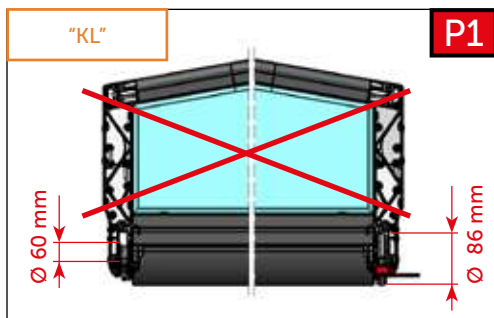
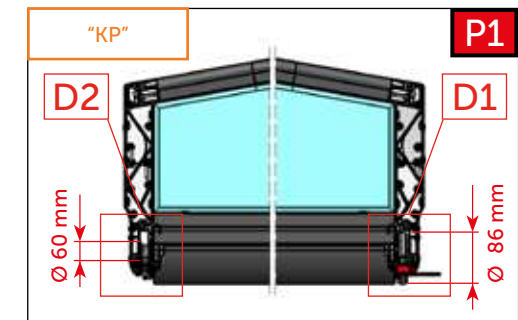
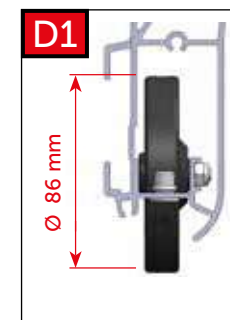
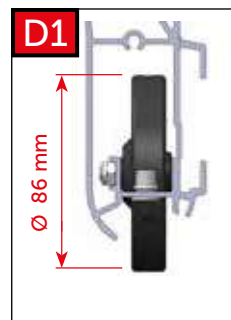
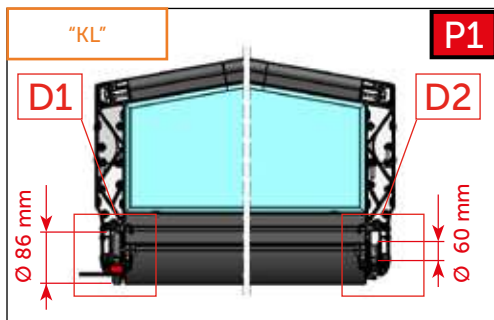
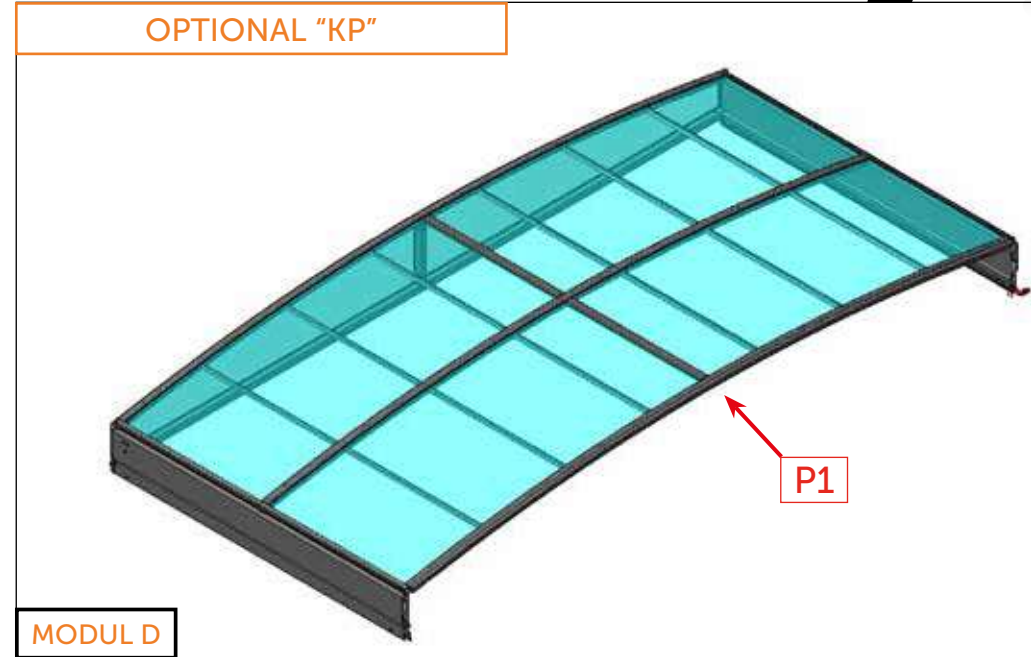
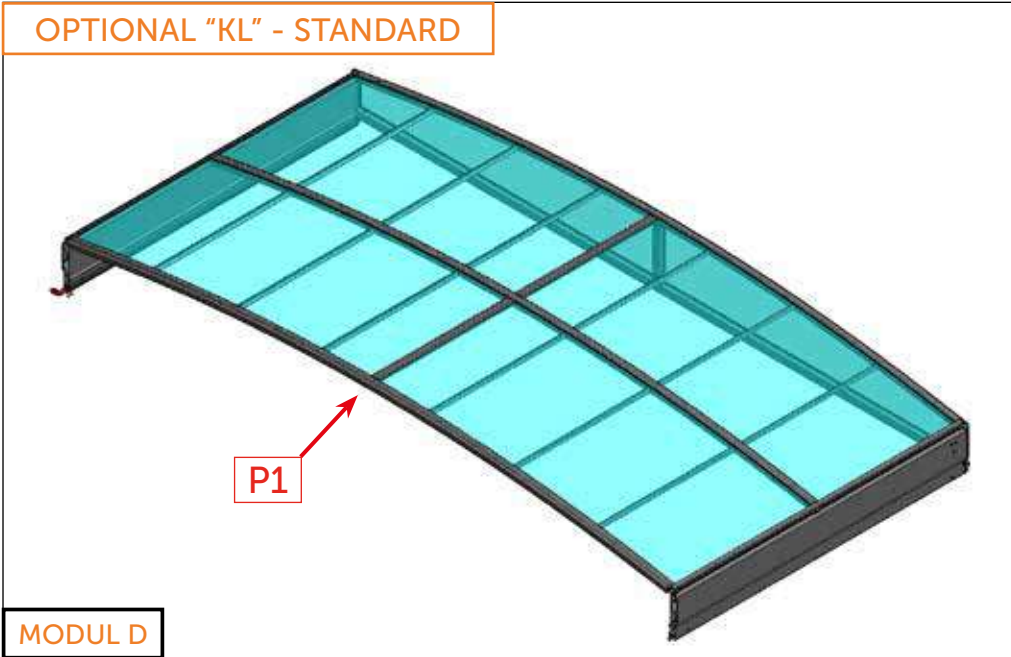
2Z09-01-SD057

| |
|----|
| 1x |
|----|

87



| | | | | | | | |
|--|--|--|---|--|--|---|---|
| <p>2Z09-01-SD020</p>  <p>1x</p> <p>88</p> | <p>2Z09-01-SD021</p>  <p>1x</p> <p>89</p> | <p>1SP10-01-077</p>  <p>DIN 912 M 5x65</p> <p>2x</p> <p>91</p> | <p>1SP10-01-084</p>  <p>ISO 7380 M 6x20</p> <p>2x</p> <p>92</p> | <p>1SZ18-02-010</p>  <p>2x</p> <p>93</p> | <p>1SZ18-02-012</p>  <p>4x</p> <p>94</p> | <p>1SP11-01-049</p>  <p>AN 9051 4,8x60</p> <p>6x</p> <p>95</p> | <p>1SP10-01-078</p>  <p>DIN 912 M 6x65</p> <p>4x</p> <p>96</p> |
| <p>1SP10-01-082</p>  <p>DIN 912 M 6x100</p> <p>4x</p> <p>97</p> | <p>1SZ03-01-038</p>  <p>2x</p> <p>98</p> | <p>1SZ03-01-030</p>  <p>4x</p> <p>99</p> | <p>1SZ12-01-010</p>  <p>8x</p> <p>100</p> | <p>1SZ12-01-052</p>  <p>2x</p> <p>104</p> | <p>1SP11-01-050</p>  <p>AN 9051 4,8x19</p> <p>2x</p> <p>105</p> | <p>1SZ12-01-051</p>  <p>2x</p> <p>10</p> | |
| <p>2Z09-01-SD054</p>  <p>1x</p> <p>84</p> | <p>2Z09-01-SD055</p>  <p>1x</p> <p>85</p> | <p>1SP10-01-025</p>  <p>DIN912 M6x25</p> <p>4x</p> <p>108</p> | | | | | |
| <p>OPTIONAL "KL"</p> <p>1SZ18-02-001D</p>  <p>1x</p> <p>3</p> | <p>OPTIONAL "KP"</p> <p>1SZ18-02-002D</p>  <p>1x</p> <p>4</p> | | | | | | |



KL → KP
 = výměna koleček v profilech
 = changing wheels in profiles
 = Radwechsel in Profilen
 = changement de roues dans les profils
 = смена колес в профилях

1 KL → KP

1a

1a

- = demontáž
- = disassembly
- = Demontage
- = démontage
- = удаление

1x

50

1

4a

4a

- = demontáž
- = disassembly
- = Demontage
- = démontage
- = удаление

1x

51

1a

2

1.

2.

3

4a

5

1 KL → KP

1a

1a

- = montáž
- = montage
- = Montage
- = assemblage
- = монтаж

1x

50

1

4a

4a

- = montáž
- = montage
- = Montage
- = assemblage
- = монтаж

1x

51

1a

2

4a

5

3

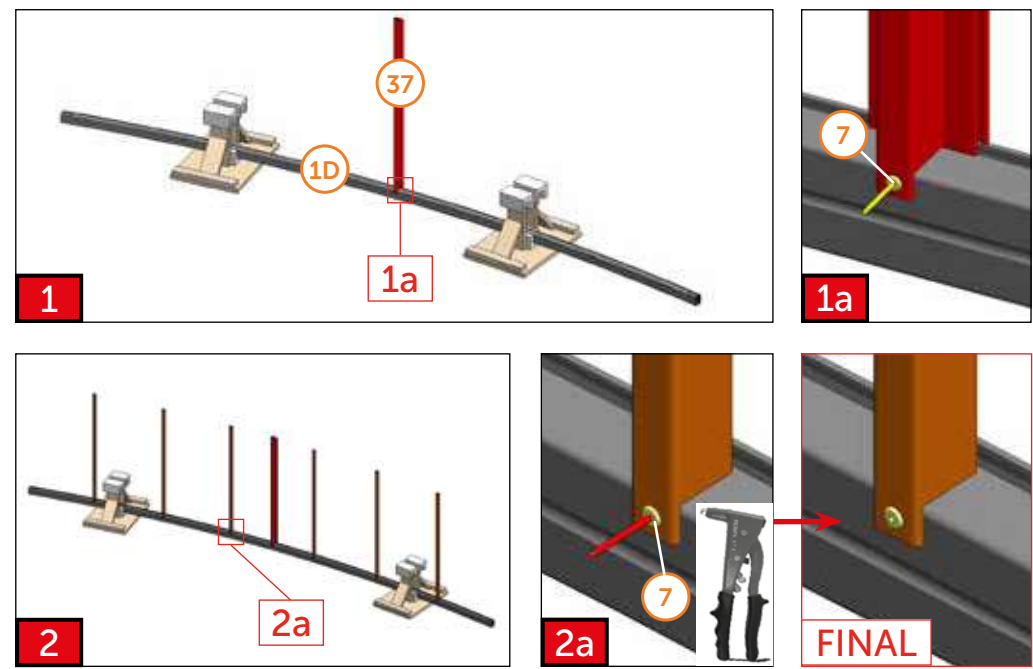
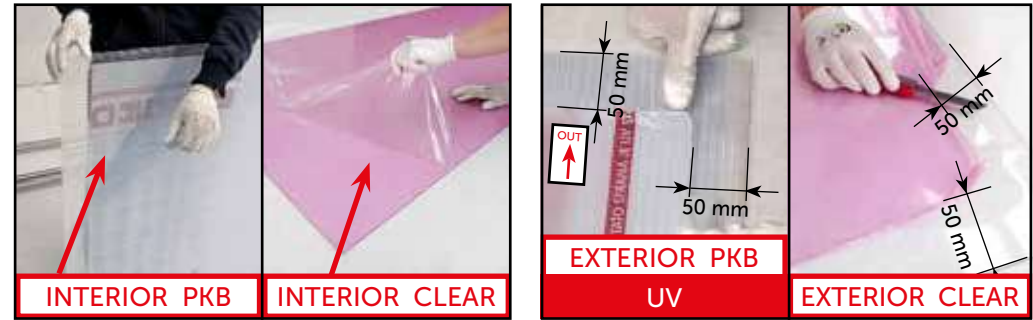
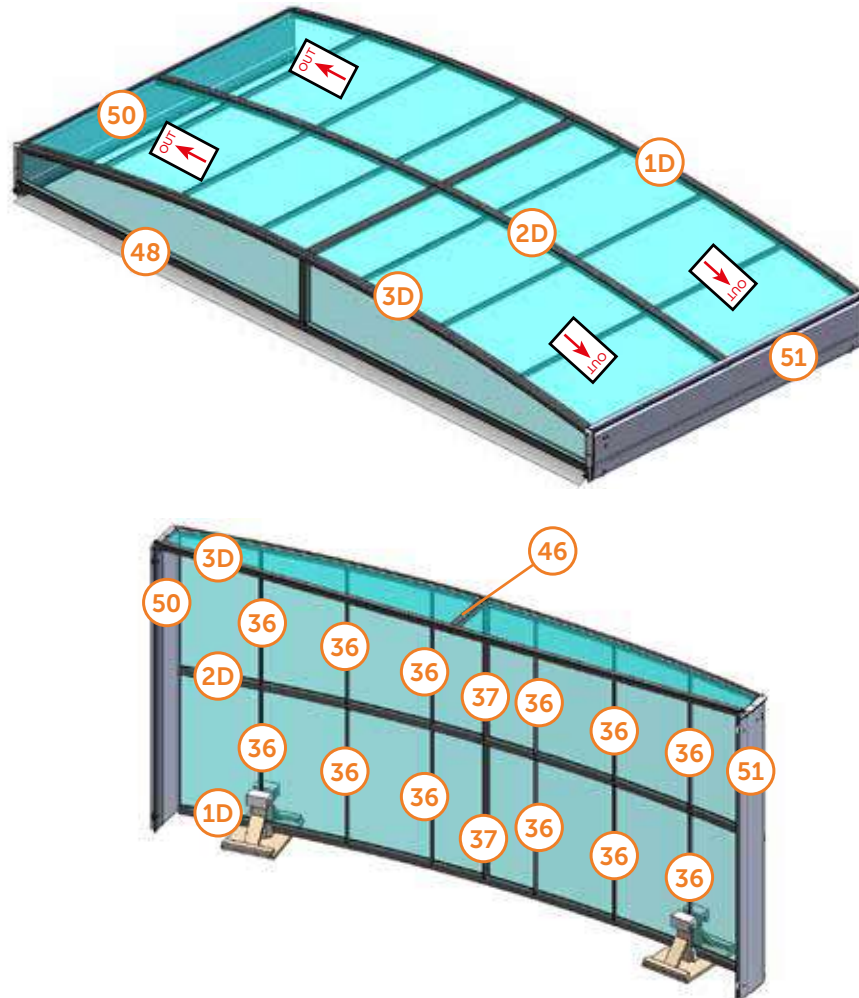
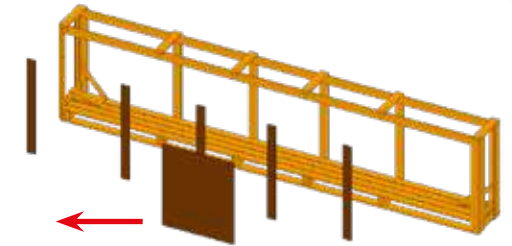
1.

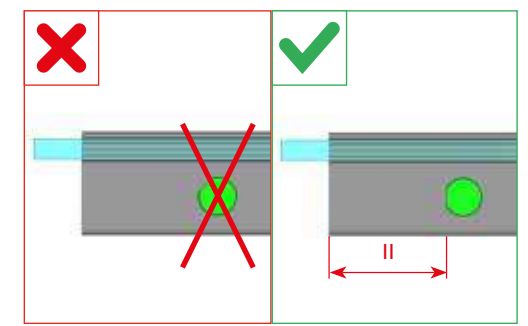
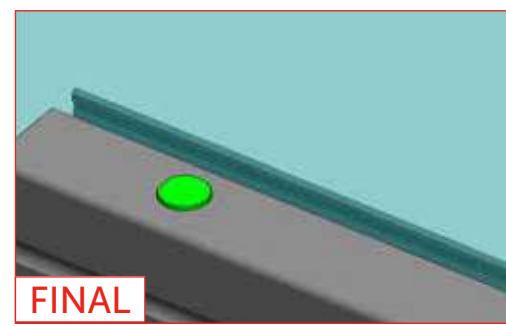
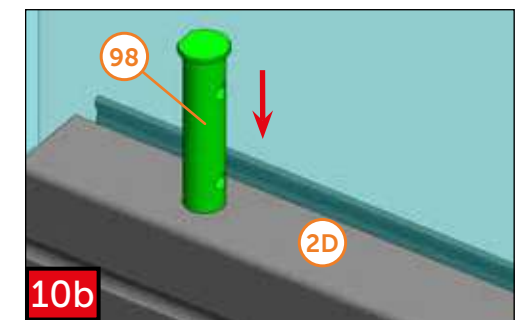
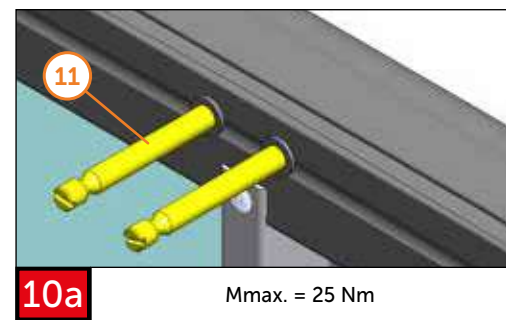
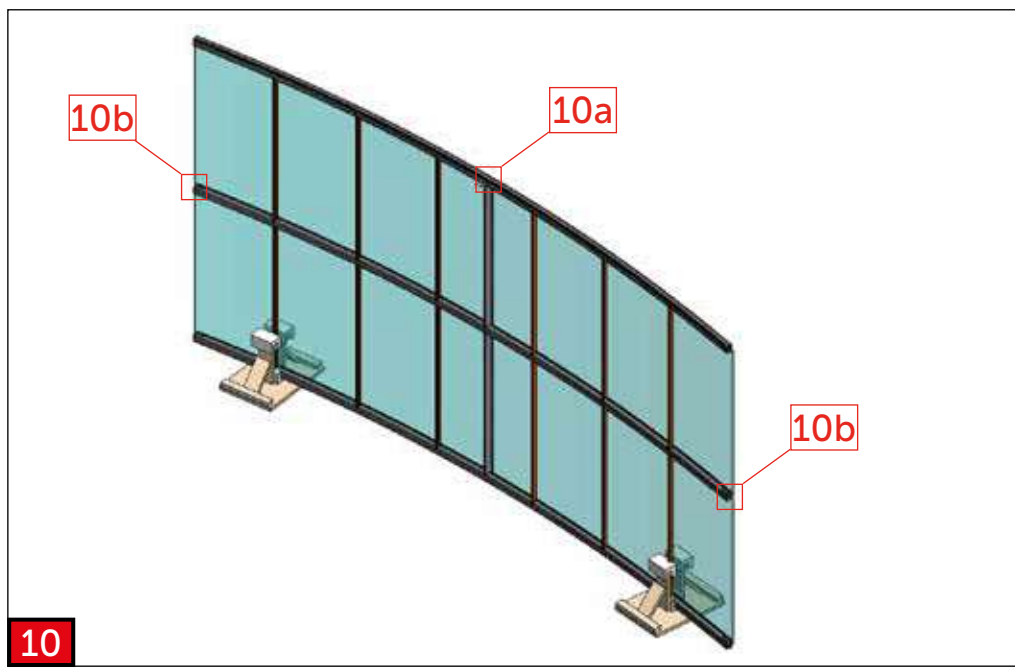
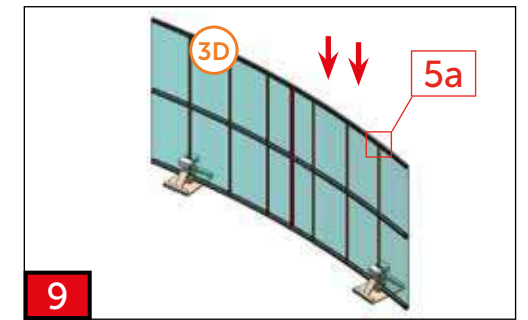
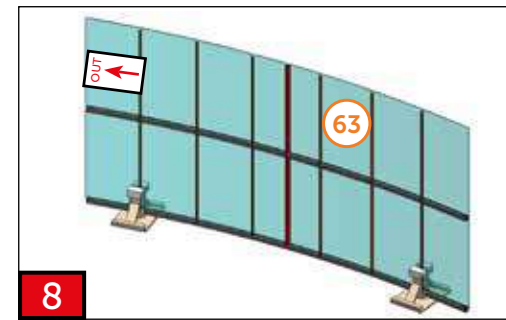
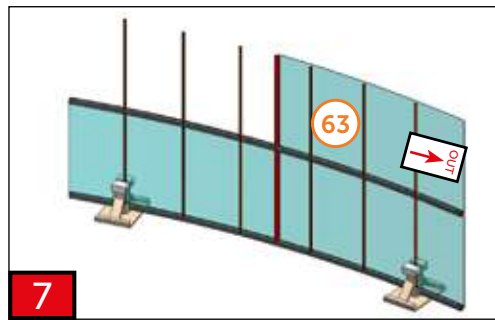
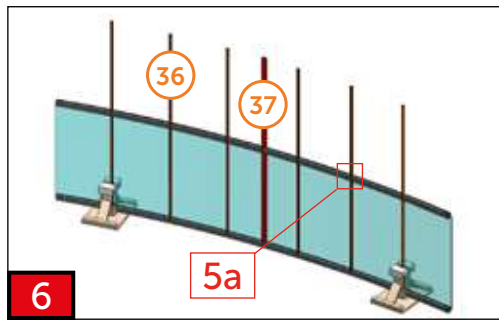
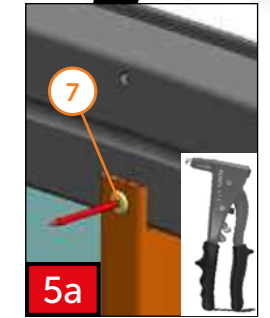
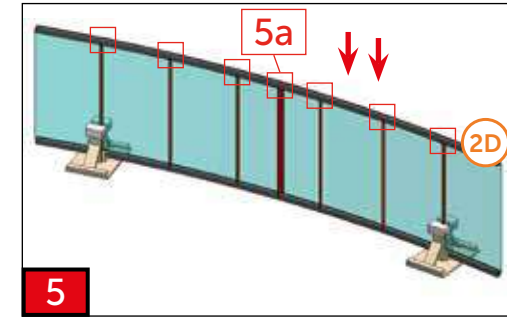
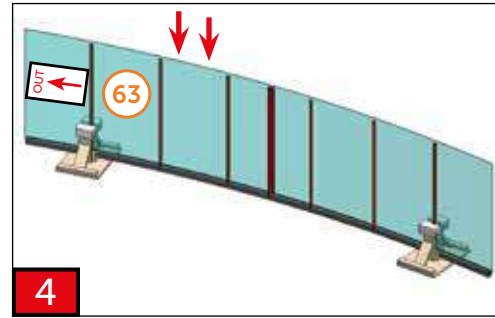
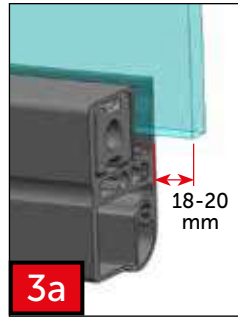
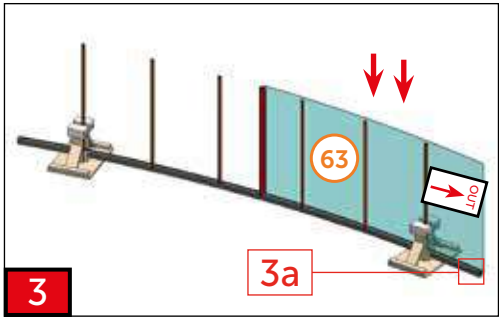
2.

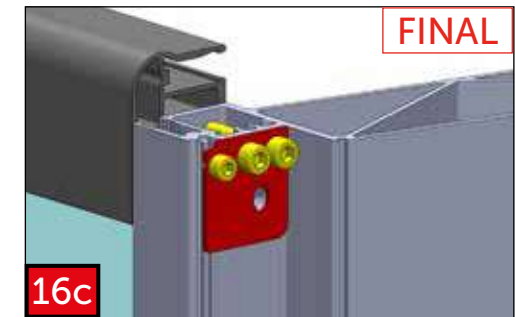
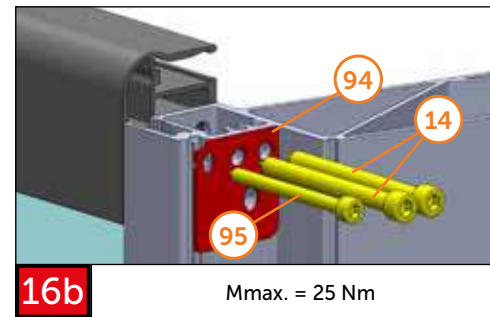
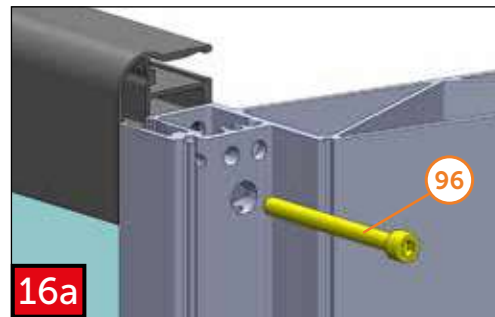
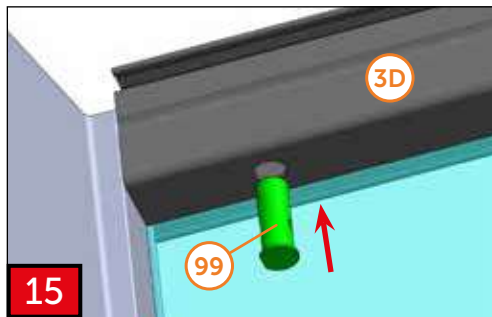
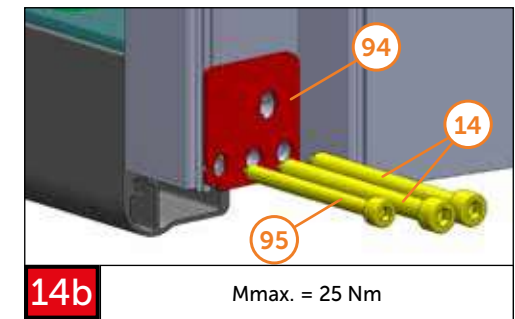
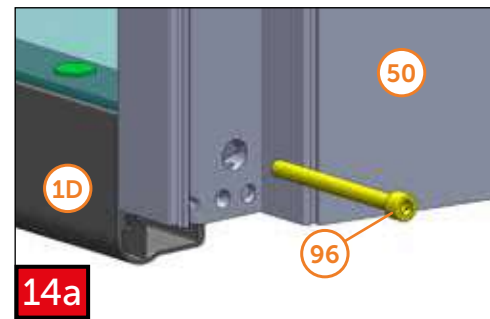
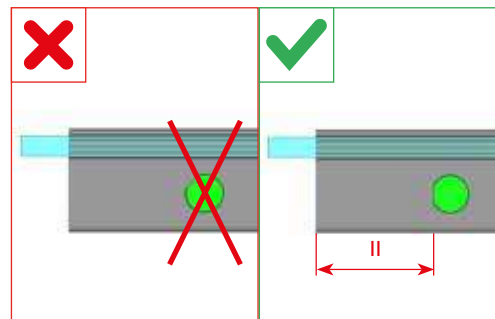
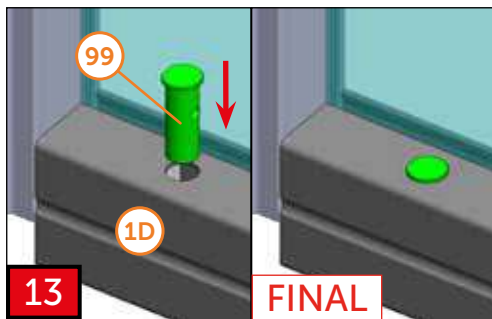
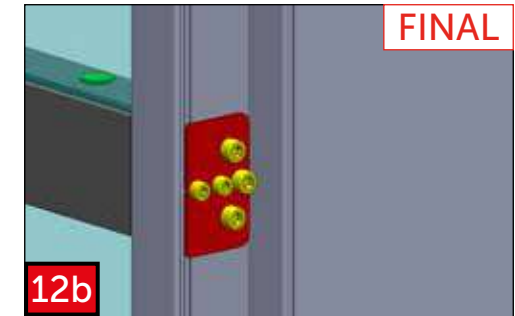
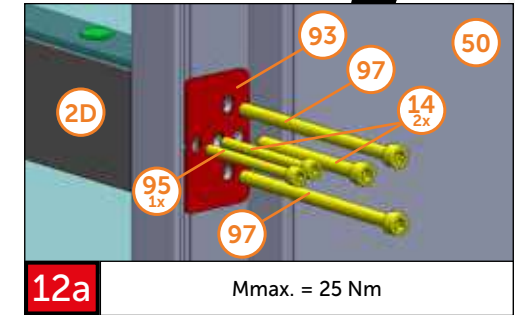
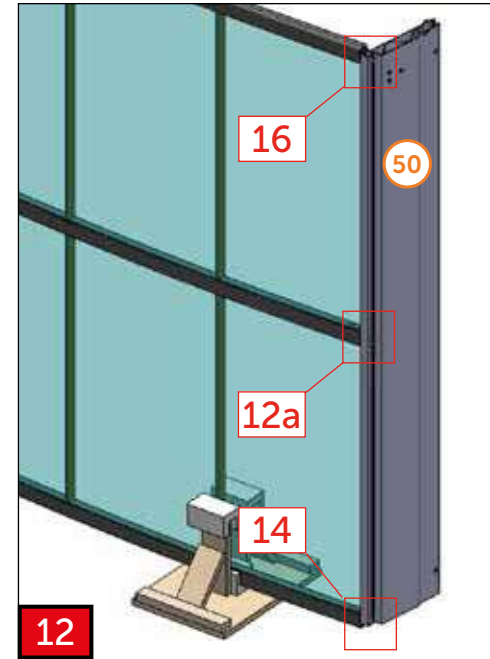
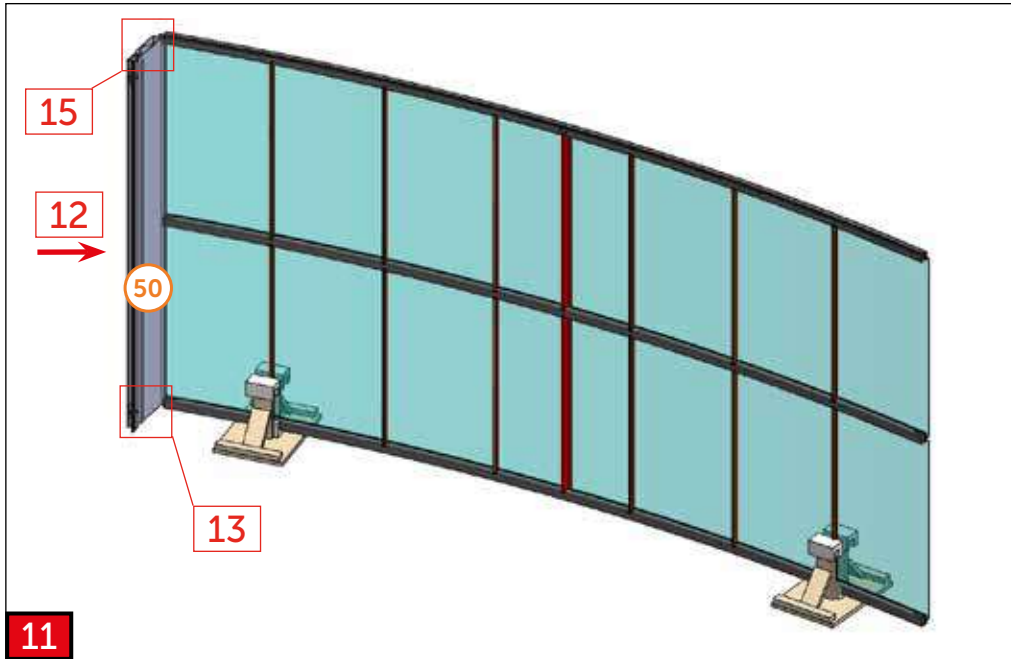
Pomocný držák pro montáž modulu
Auxiliary holder for the assembly of module
Zusätzliche Halterung für die Modulmontage
Support auxiliaire pour l'assemblage du module
Вспомогательный держатель для сборки модуля

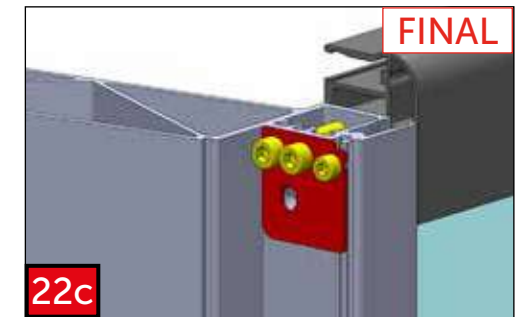
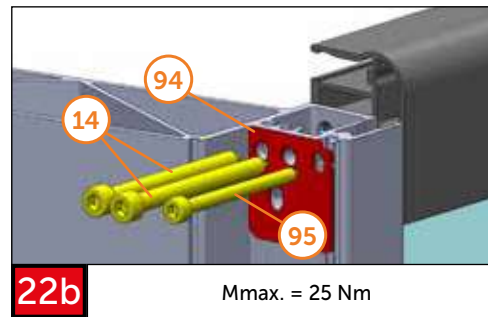
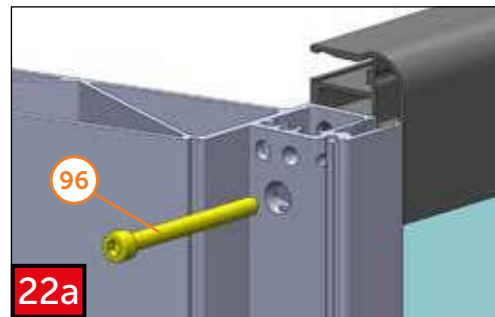
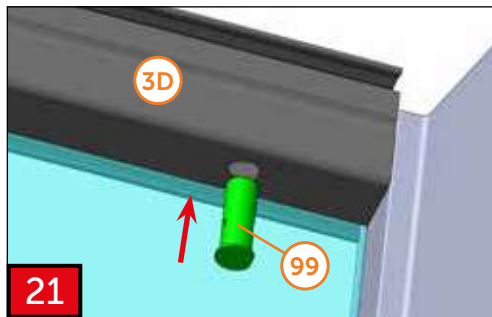
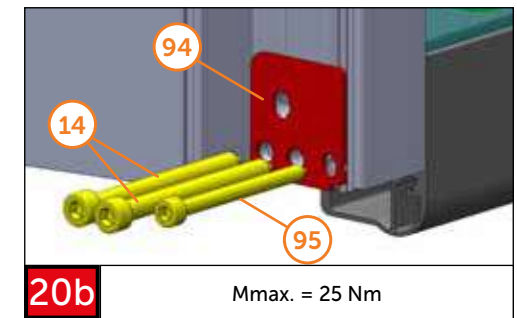
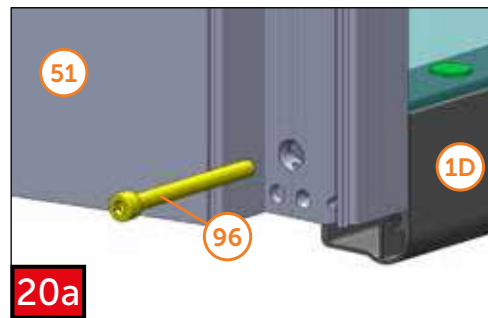
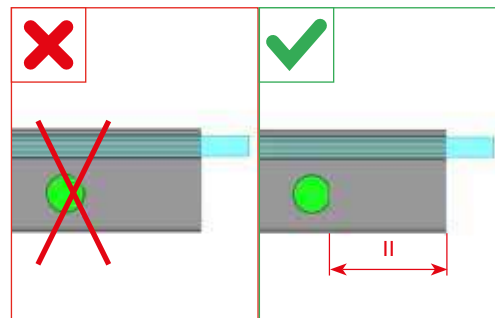
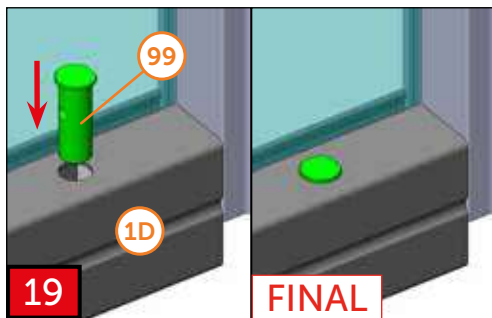
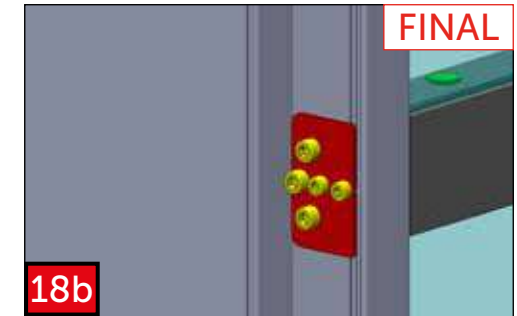
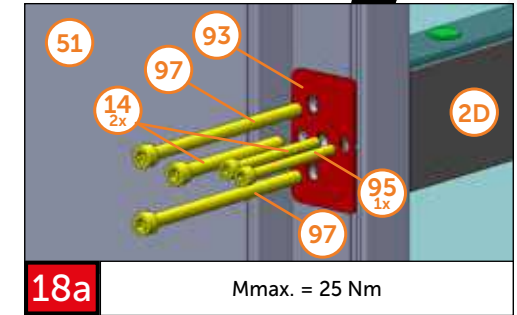
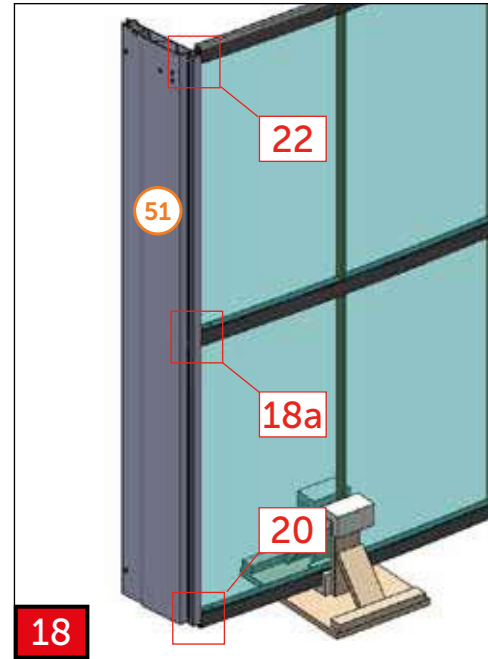
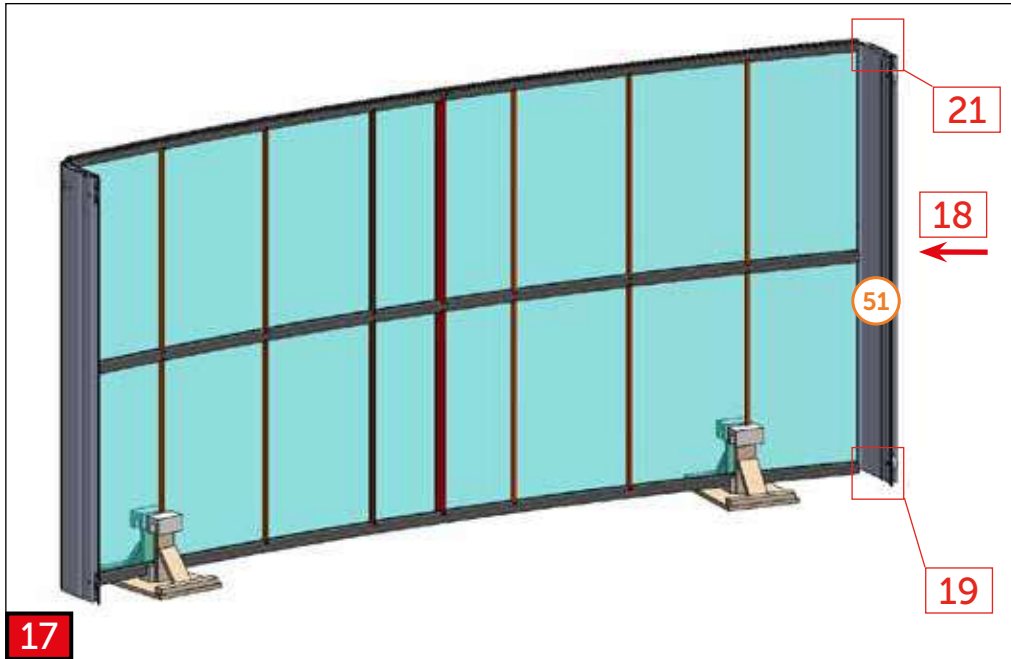


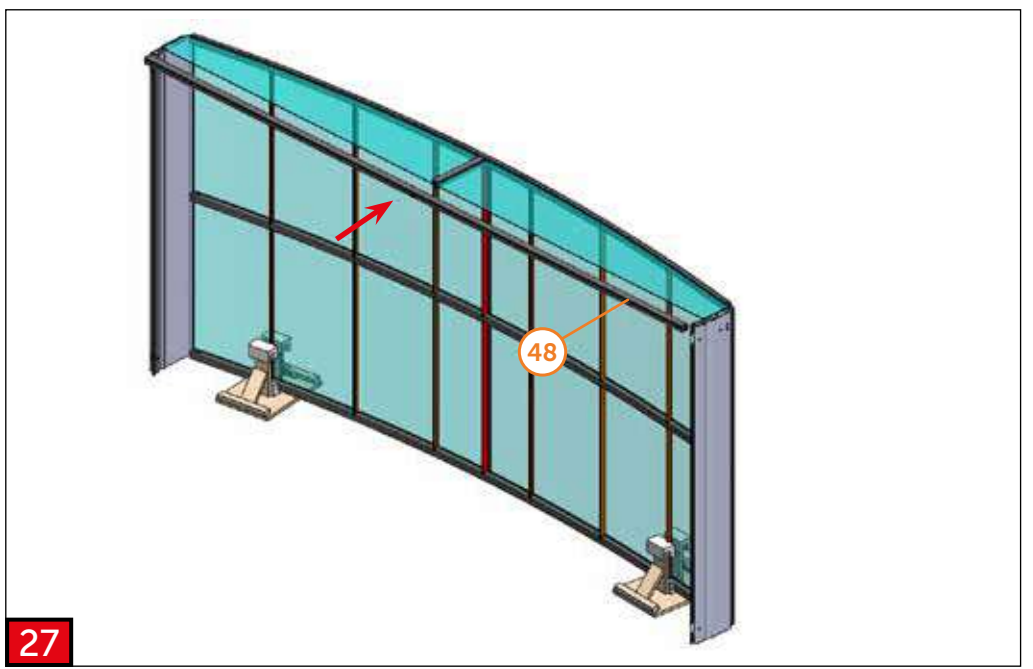
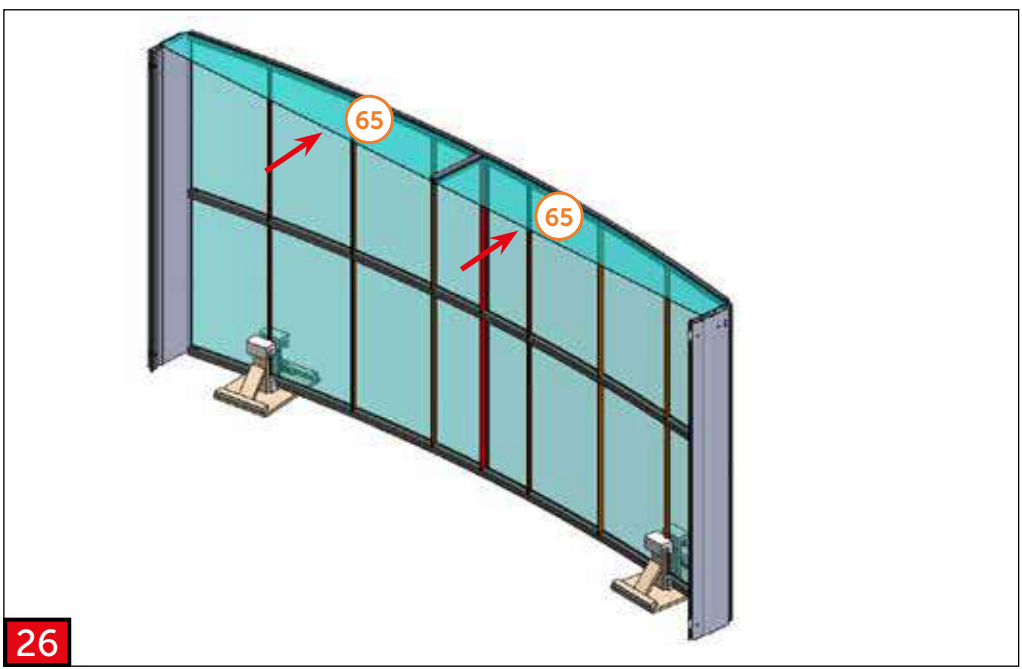
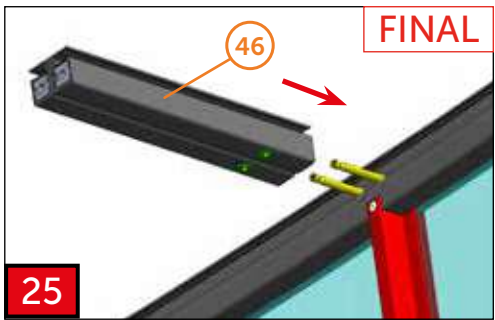
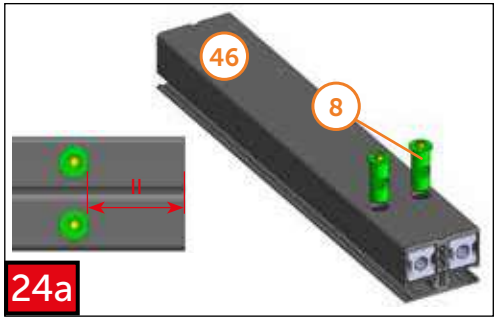
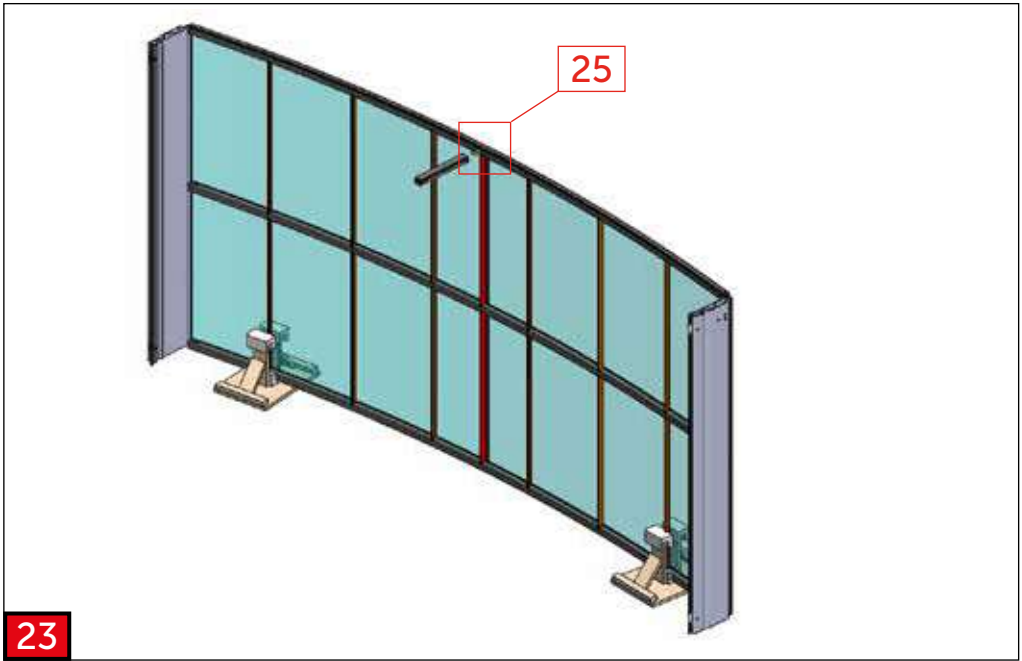
Nutné zajistit modul proti překlopení. Doporučujeme vyrobit držák z balení (prkna + výložky) nebo zajistit jiným způsobem.
 The module must be secured against falling. We recommend that you make a holder from the transport box (boards + foam liner) or that you secure the module in other safe way.
 Das Modul muss gegen Umkippen gesichert werden. Wir empfehlen, einen Halter aus der Verpackung (Bretter + Liner) zu machen oder das Modul auf andere Weise zu sichern.
 Il est nécessaire d'assurer le module contre son renversement. Nous recommandons de fabriquer le support de l'emballage (les planches + les parements) ou de l'assurer autrement.
 Необходимо обезопасить модуль от опрокидывания. Мы рекомендуем сделать держатель из упаковки (доски + вкладыши) или закрепить его другим способом.

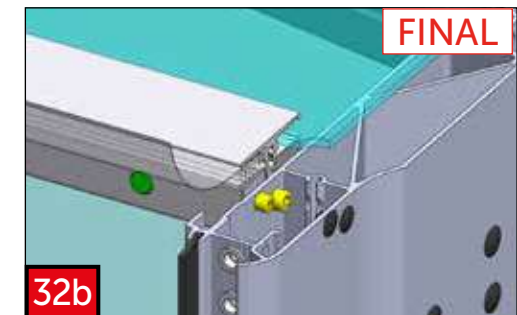
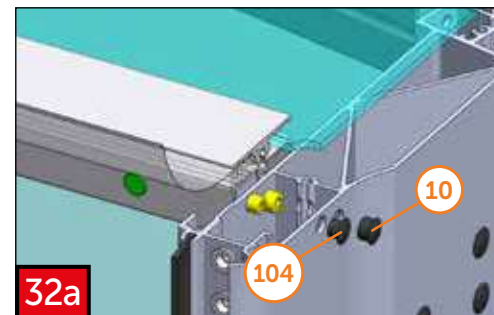
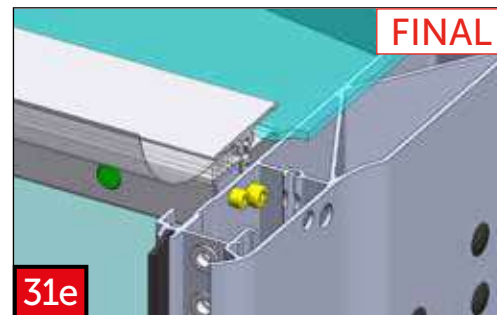
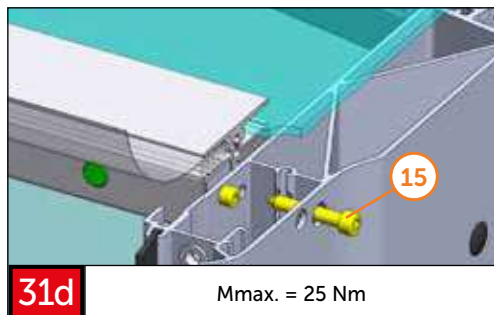
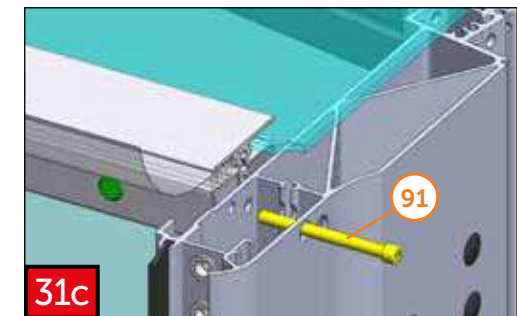
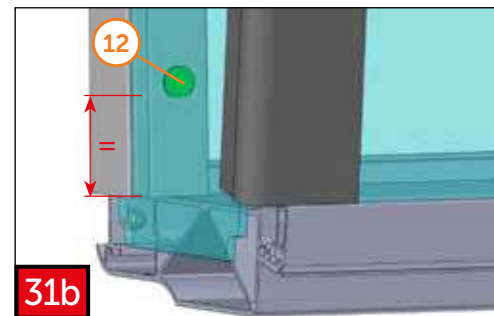
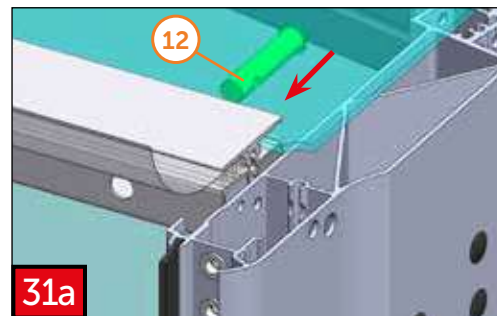
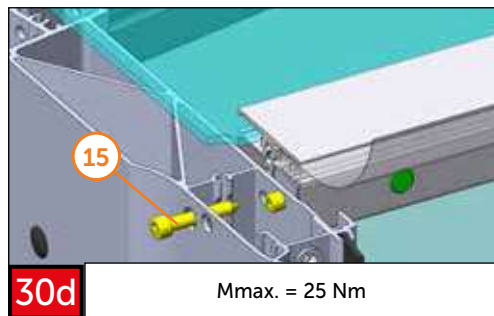
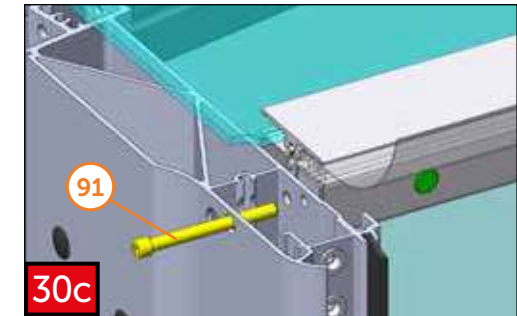
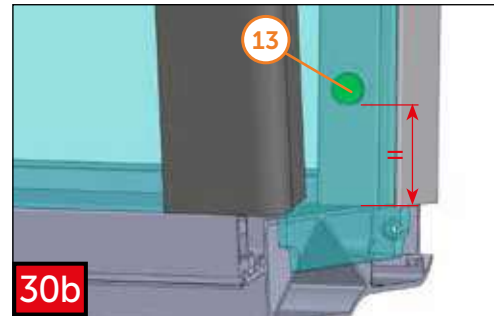
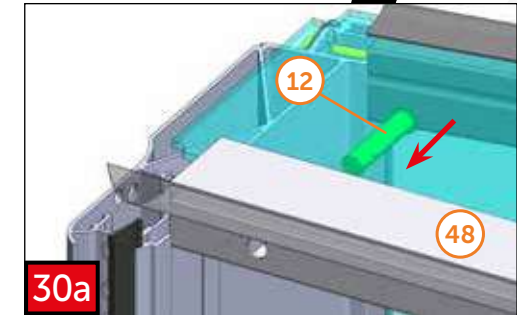
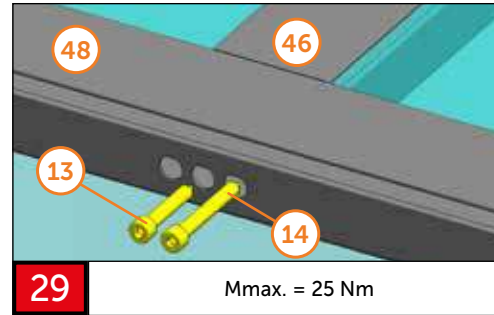
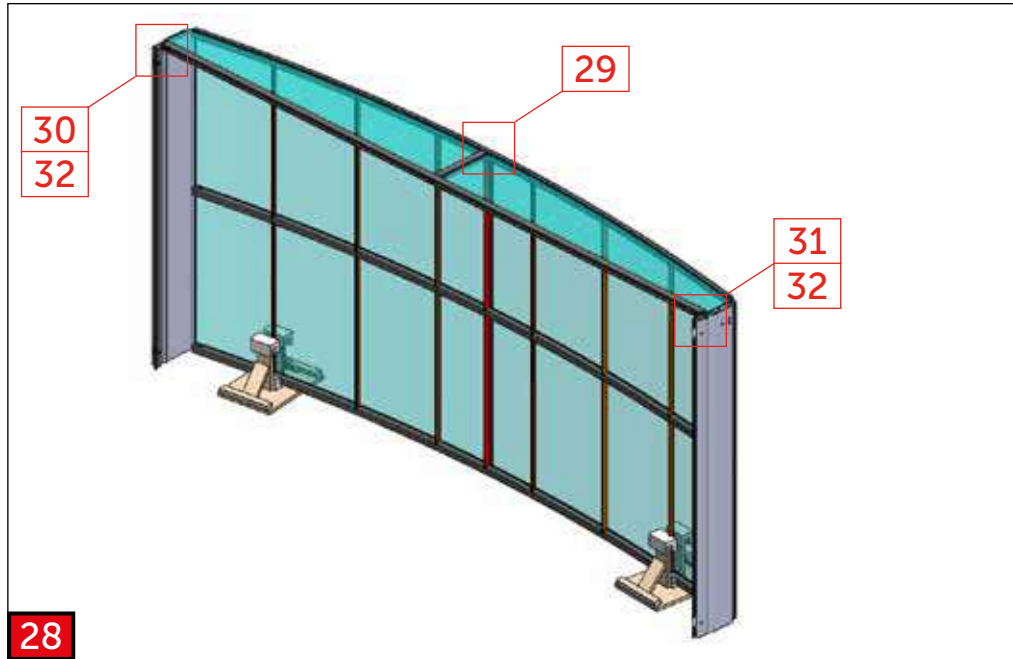




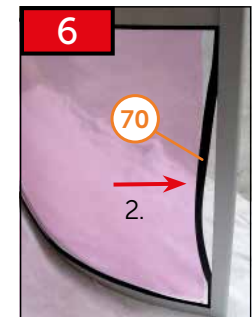
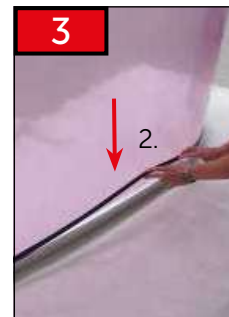
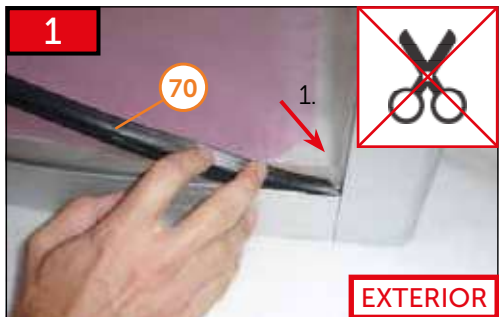
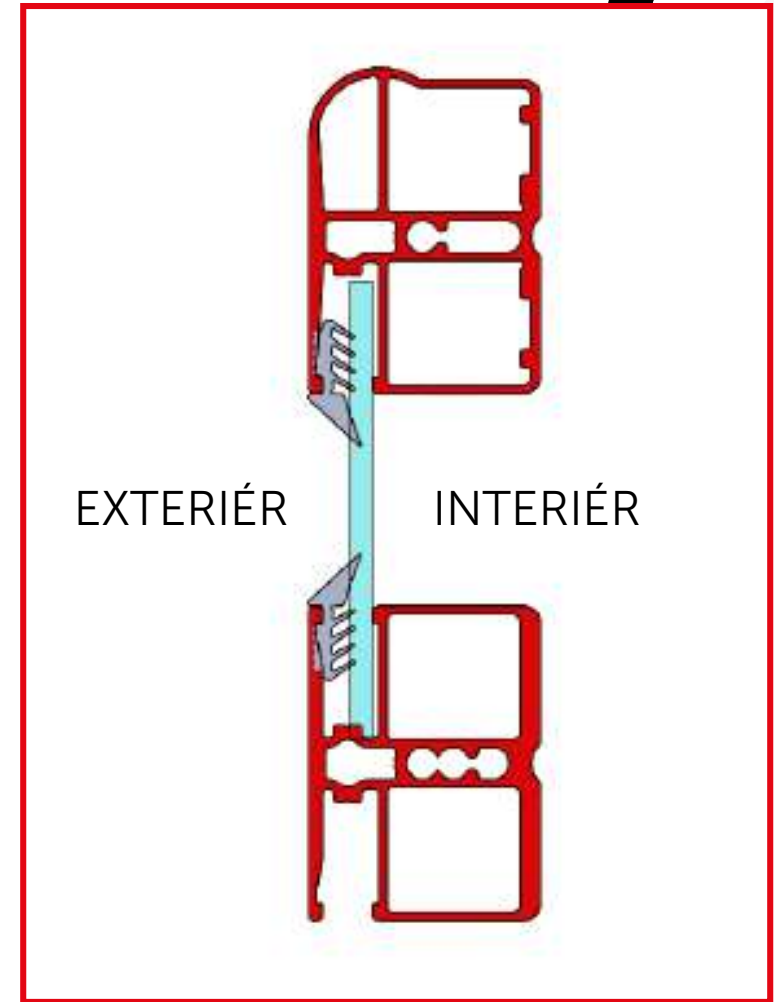
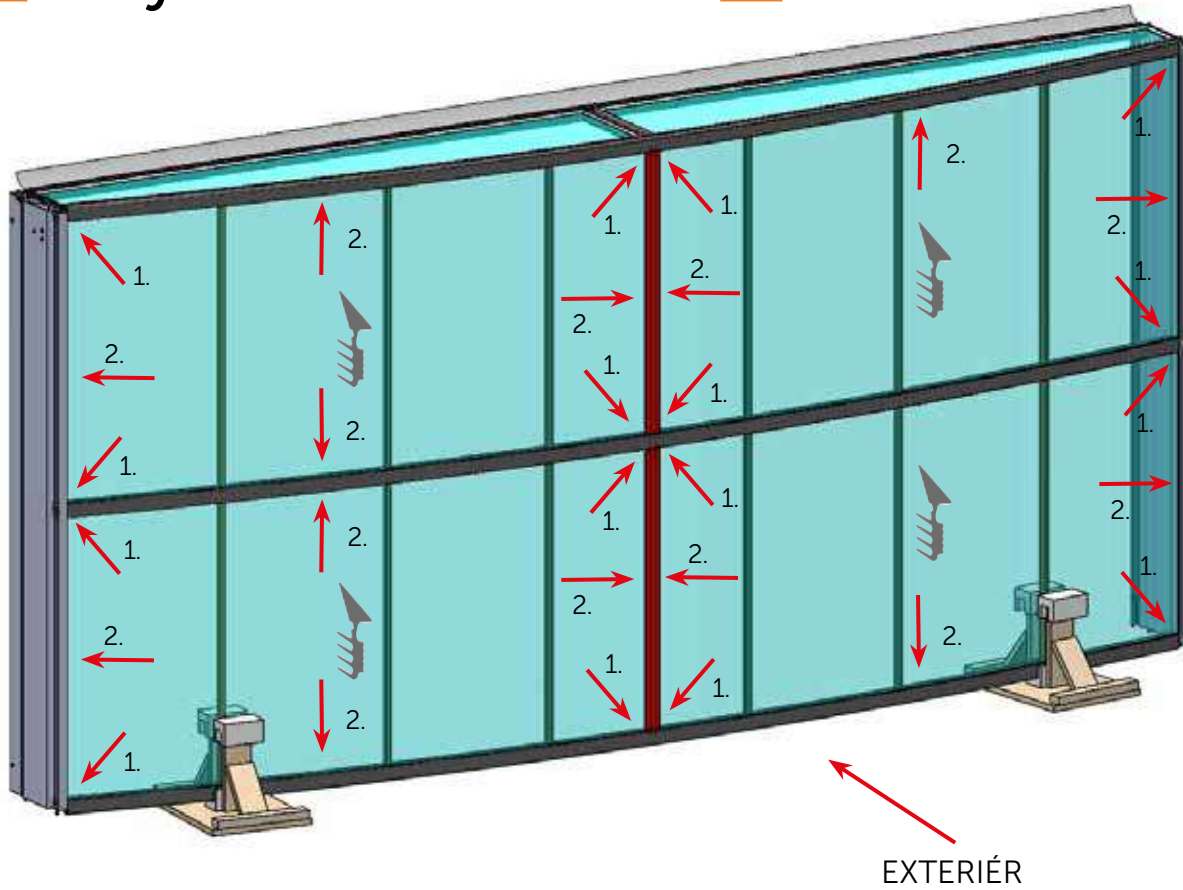


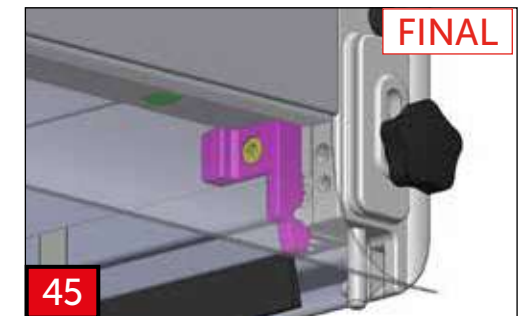
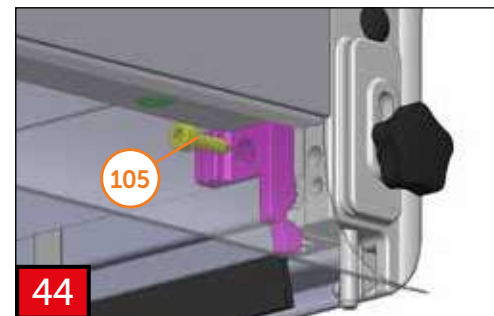
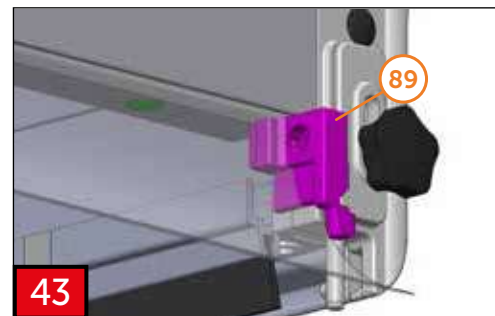
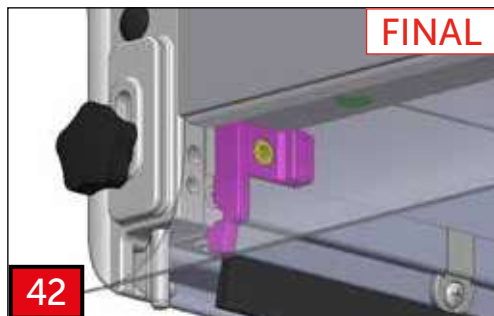
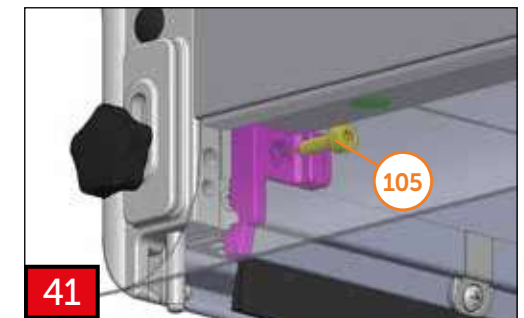
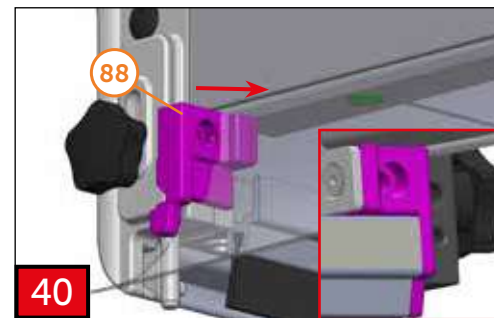
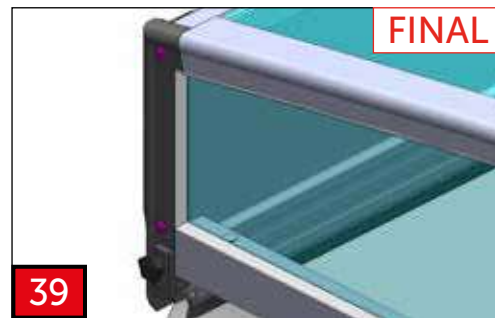
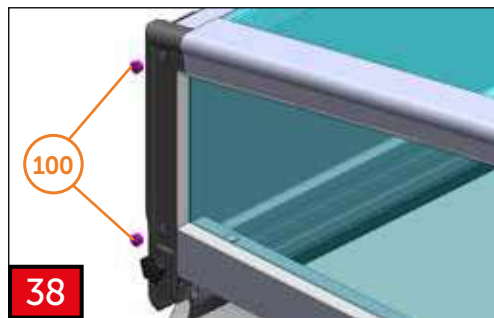
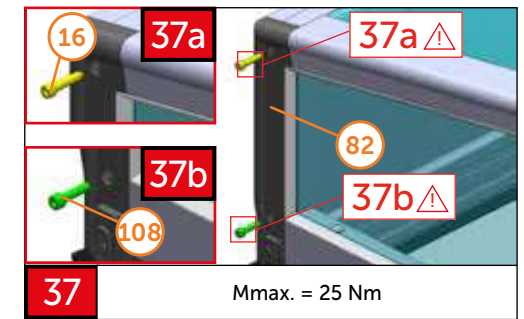
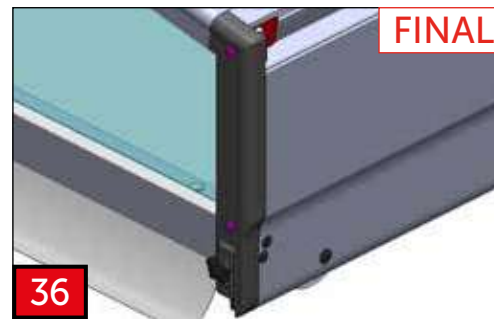
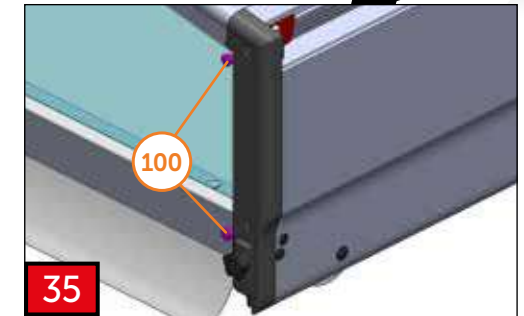
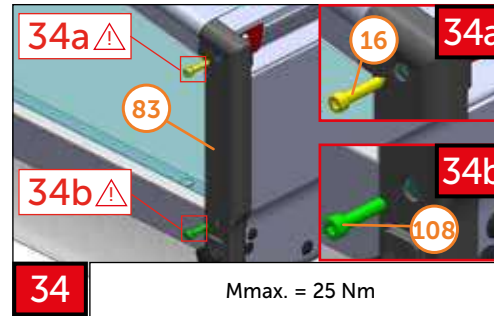
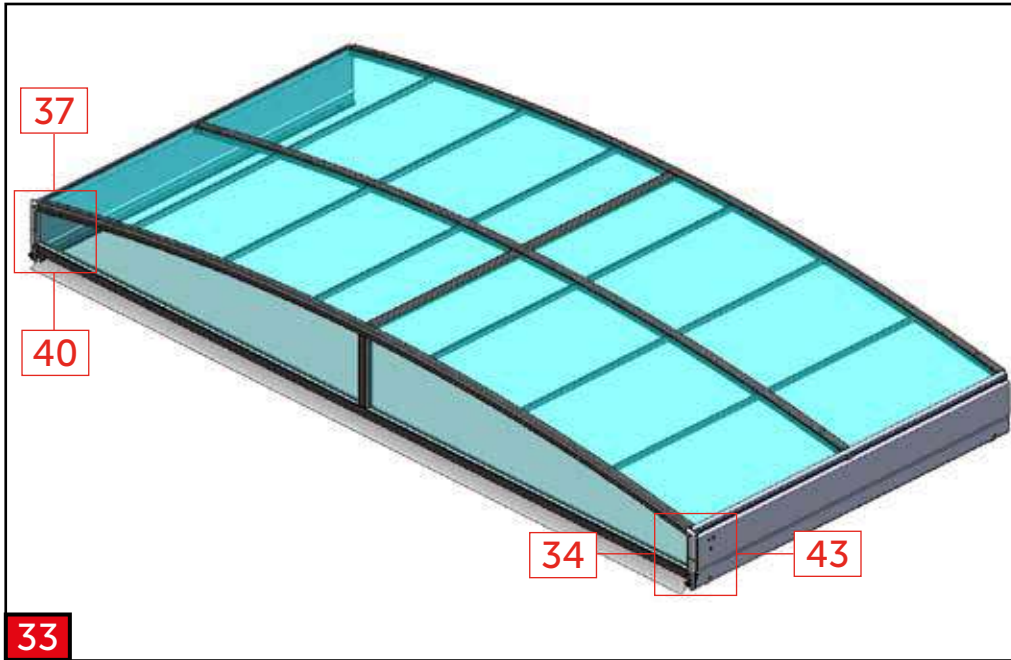




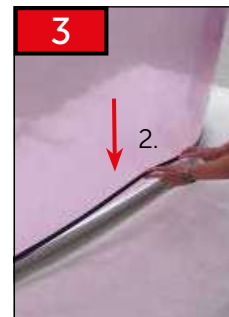
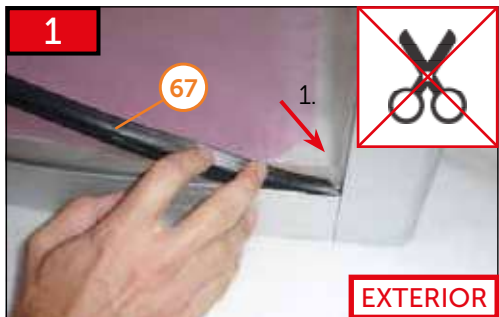
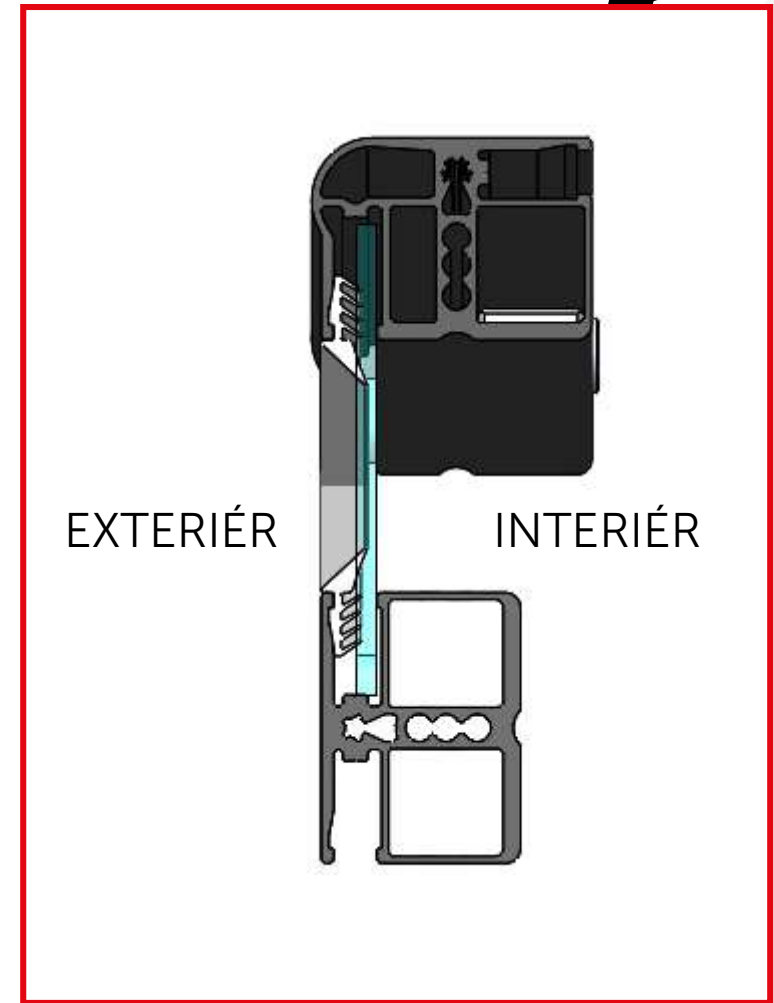
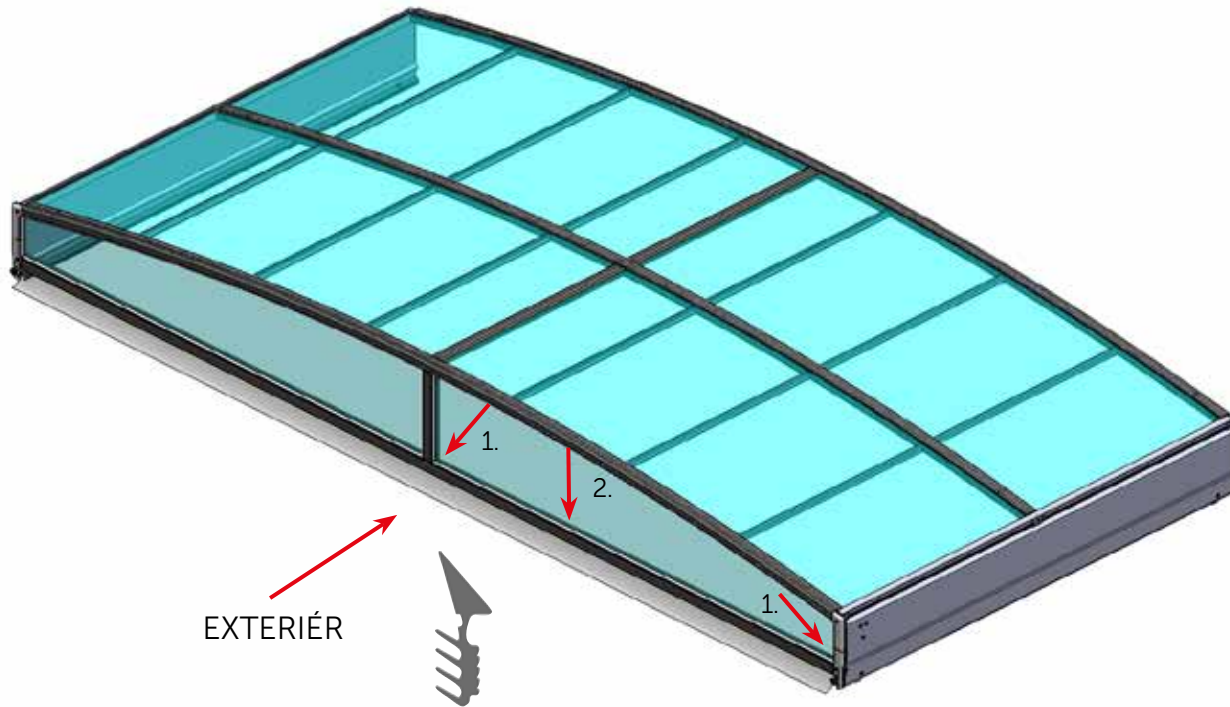


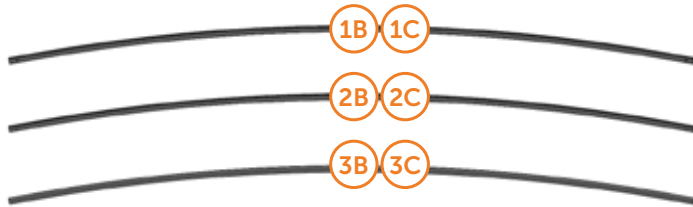
⚠ only SYDNEY CLEAR ⚠





⚠ only SYDNEY CLEAR ⚠





1SP07-01-001

| |
|---------|
| ø4 x 10 |
| 28x |

7

1SP11-01-031

| |
|----------|
| AN 9051 |
| 6,3 x 70 |
| 12x |

14

1SP11-01-053

| |
|----------|
| AN 9051 |
| 6,3 x 32 |
| 6x |

16

1NA03-01-050

| |
|----|
| 1x |
|----|

17

| | |
|--------------------------------------|---------|
| Sydney BS/ Clear BS 2Z04-01-SD004 | 906 mm |
| Sydney B/ Clear B 2Z04-01-SD001 | 1041 mm |

| |
|-----|
| 12x |
|-----|

36

| | |
|--------------------------------------|---------|
| Sydney BS/ Clear BS 2Z05-01-SD005 | 906 mm |
| Sydney B/ Clear B 2Z05-01-SD001 | 1041 mm |

| |
|----|
| 2x |
|----|

37

| | |
|--------------------------------------|---------|
| Sydney BS/ Clear BS 2Z02-09-SD028 | 1880 mm |
| Sydney B/ Clear B 2Z02-09-SD027 | 2150 mm |

| |
|----|
| 2x |
|----|

58

1SP10-01-084

| |
|----------|
| ISO 7380 |
| M 6x20 |
| 2x |

92

1SZ18-02-010

| |
|----|
| 2x |
|----|

93

1SZ18-02-012

| |
|----|
| 4x |
|----|

94

1SP11-01-049

| |
|---------|
| AN 9051 |
| 4,8x60 |
| 6x |

95

1SP10-01-078

| |
|---------|
| DIN 912 |
| M 6x65 |
| 4x |

96

1SP10-01-082

| |
|---------|
| DIN 912 |
| M 6x100 |
| 4x |

97

1SZ03-01-038

| |
|----|
| 2x |
|----|

98

1SZ03-01-030

| |
|----|
| 4x |
|----|

99

1SZ12-01-010

| | |
|---------|----|
| MODUL B | 6x |
| MODUL C | 8x |

100

1SP10-01-025

| |
|--------|
| DIN912 |
| M6x25 |
| 2x |

108

MODUL B

"KL" = "KP"

| | |
|--------------------------------------|---------|
| Sydney BS/ Clear BS 2Z02-09-SR013 | 1880 mm |
| Sydney B/ Clear B 2Z02-09-SR003 | 2150 mm |

| |
|----|
| 1x |
|----|

54

MODUL B

"KL" = "KP"

| | |
|--------------------------------------|---------|
| Sydney BS/ Clear BS 2Z02-09-SR014 | 1880 mm |
| Sydney B/ Clear B 2Z02-09-SR004 | 2150 mm |

| |
|----|
| 1x |
|----|

55

MODUL C

"KL" = "KP"

| | |
|--------------------------------------|---------|
| Sydney BS/ Clear BS 2Z02-09-SR015 | 1880 mm |
| Sydney B/ Clear B 2Z02-09-SR005 | 2150 mm |

| |
|----|
| 1x |
|----|

52

MODUL C

"KL" = "KP"

| | |
|--------------------------------------|---------|
| Sydney BS/ Clear BS 2Z02-09-SR016 | 1880 mm |
| Sydney B/ Clear B 2Z02-09-SR006 | 2150 mm |

| |
|----|
| 1x |
|----|

53

| | | |
|---------------------|----------------|--|
| Sydney BS/ Clear BS | 2110 x 915 mm | |
| Sydney B/ Clear B | 2110 x 1050 mm | |

4x
61

| | | |
|---------------------|----------------|--|
| Sydney BS/ Clear BS | 2180 x 915 mm | |
| Sydney B/ Clear B | 2180 x 1050 mm | |

4x
62

MODUL B

2Z09-01-SD072

1x
76

MODUL B

2Z09-01-SD073

1x
77

MODUL B

2Z09-01-SD074

1x
78

MODUL B

2Z09-01-SD075

1x
79

MODUL C

2Z09-01-SD058

1x
80

MODUL C

2Z09-01-SD059

1x
81

MODUL C

2Z09-01-SD060

1x
82

MODUL C

2Z09-01-SD061

1x
83

| | |
|----------------|----|
| MODUL B | 1x |
| MODUL C | 1x |

1SZ18-02-001D

OPTIONAL "KL"

3

| | |
|----------------|----|
| MODUL B | 1x |
| MODUL C | 1x |

1SZ18-02-002D

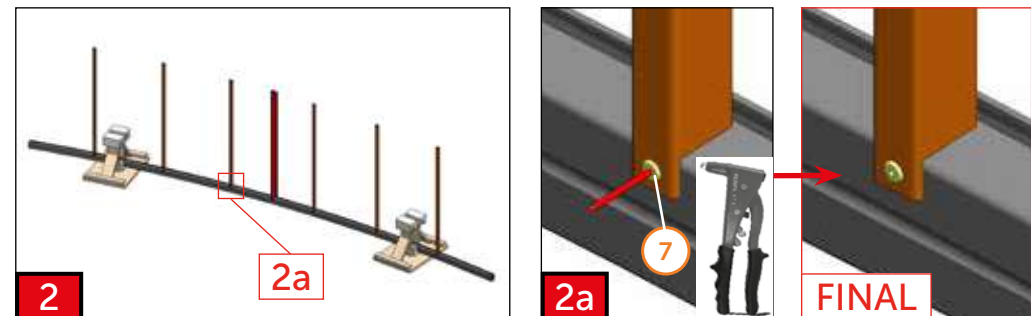
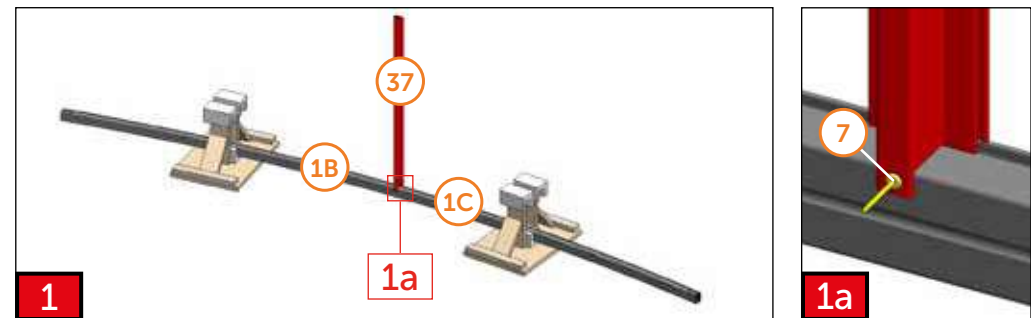
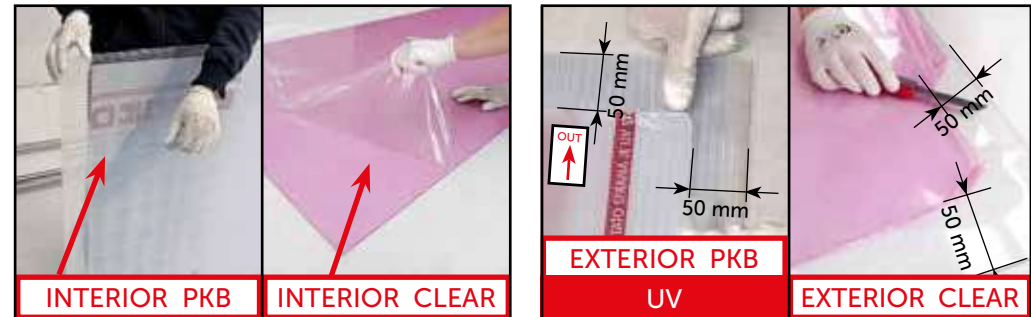
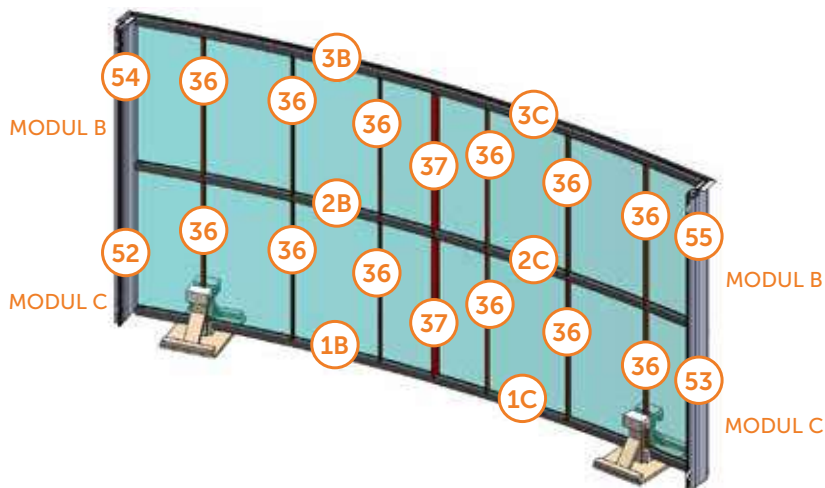
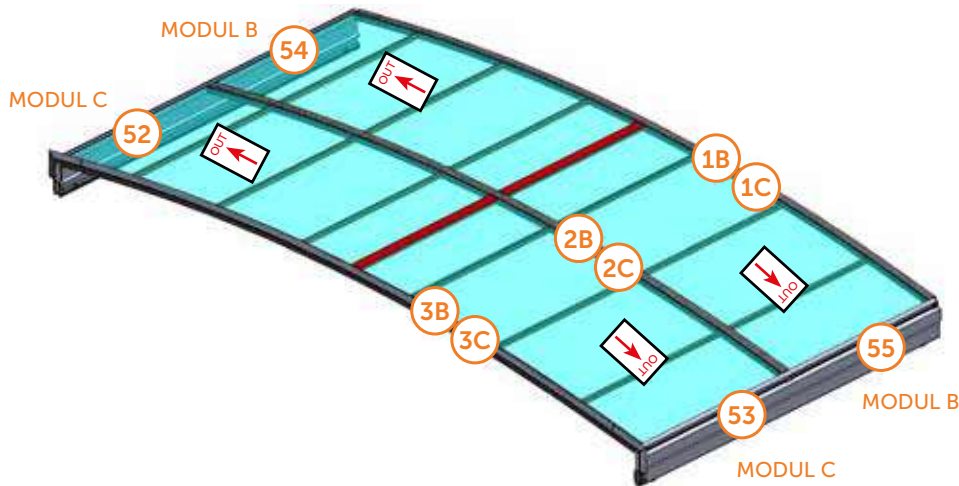
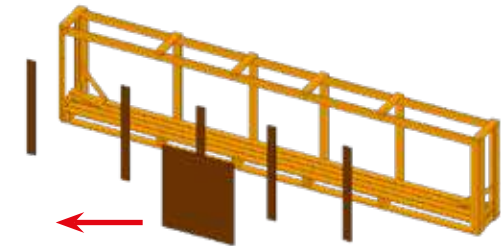
OPTIONAL "KP"

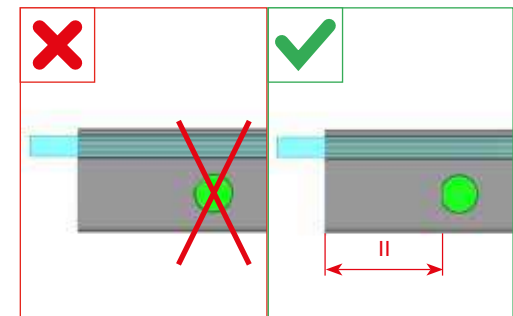
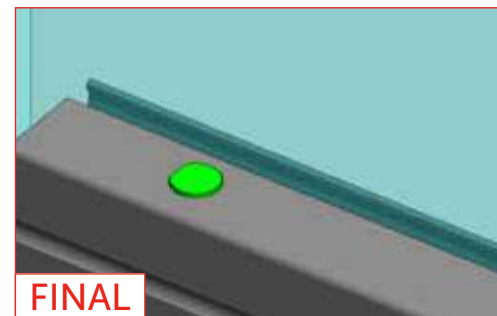
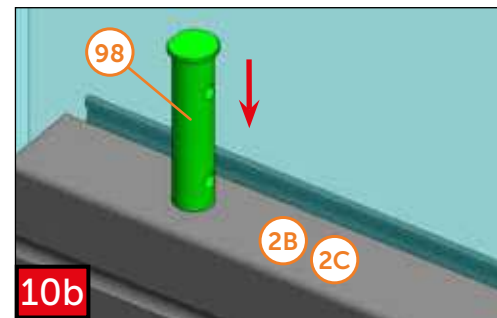
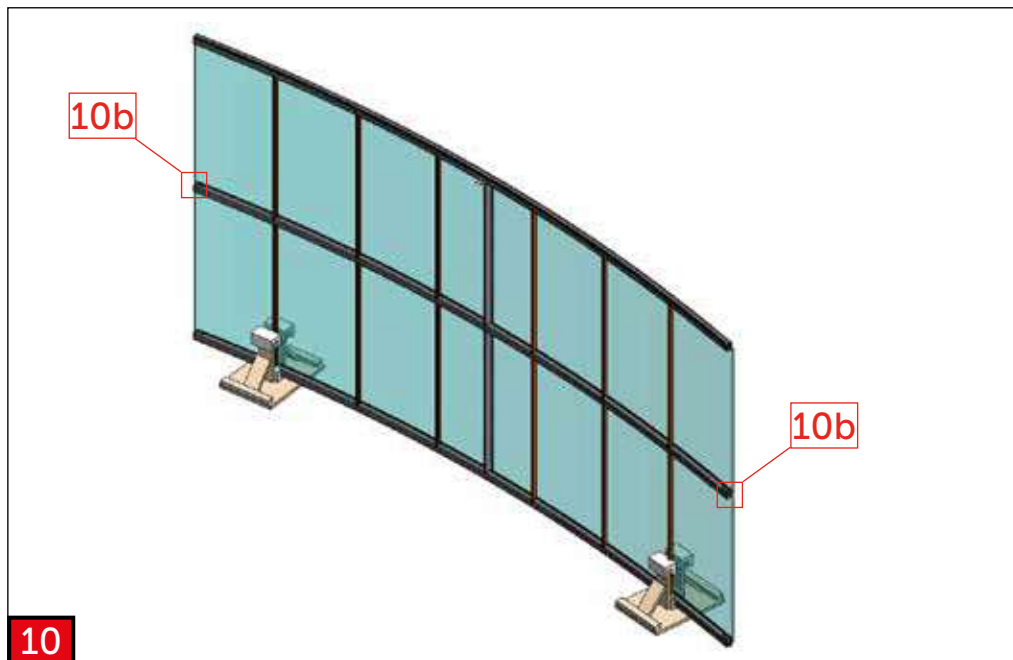
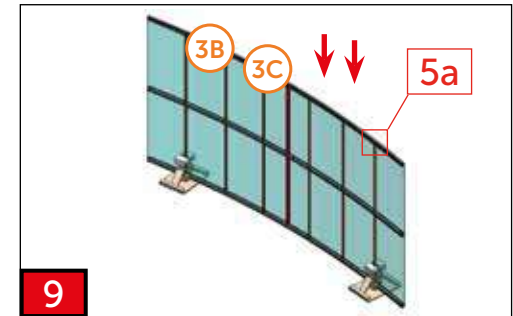
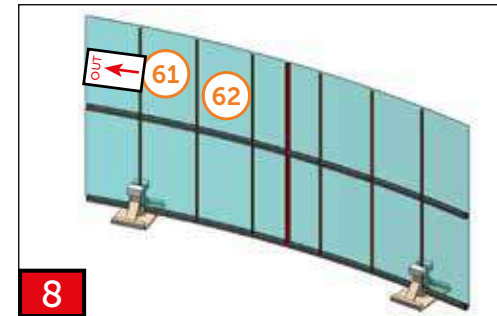
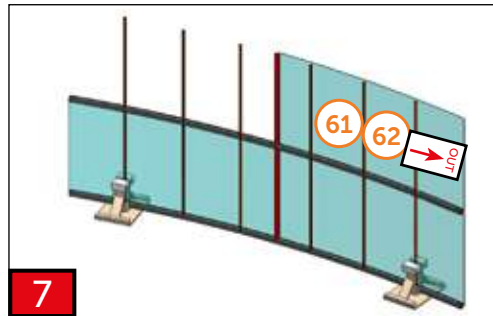
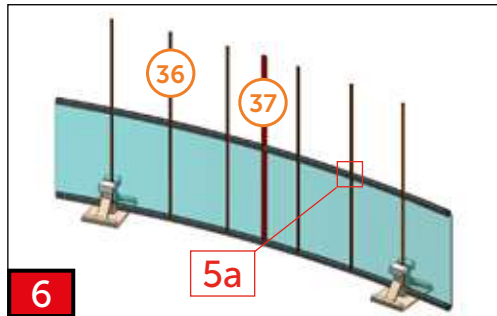
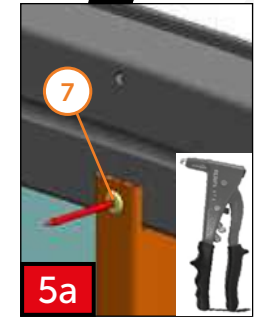
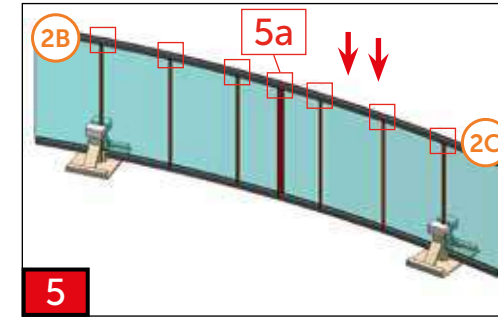
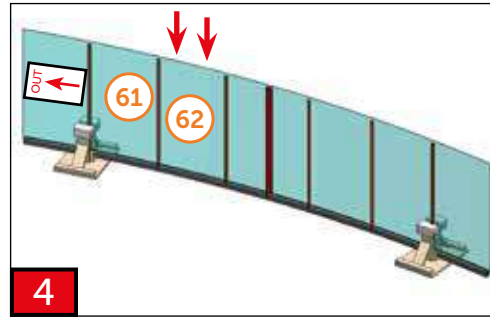
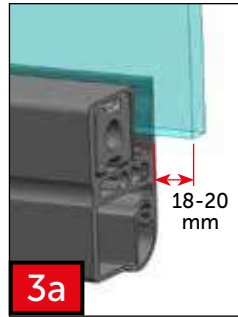
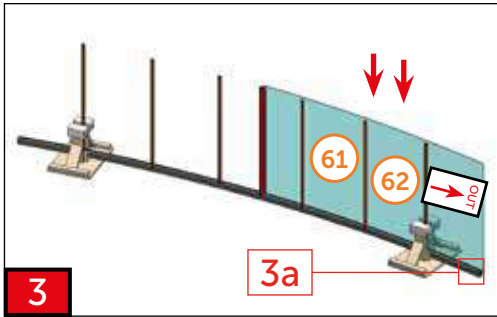
4

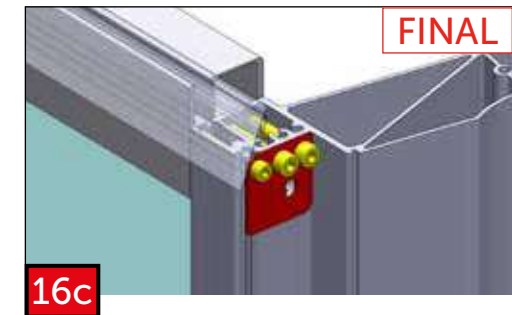
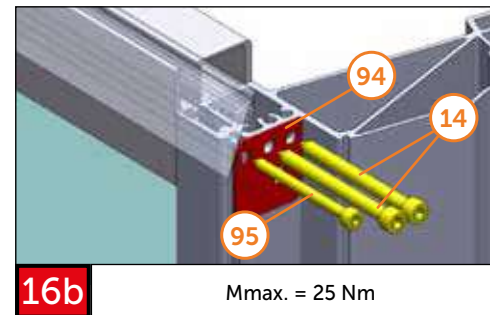
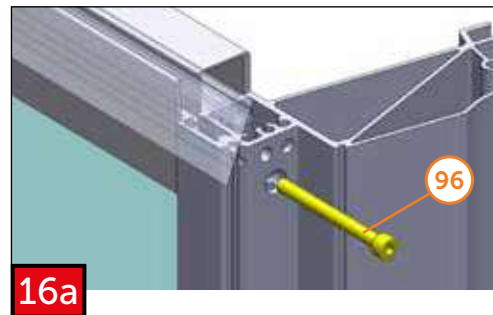
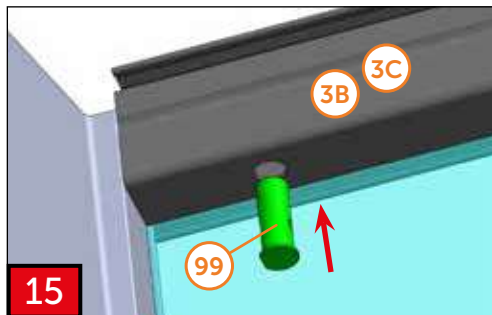
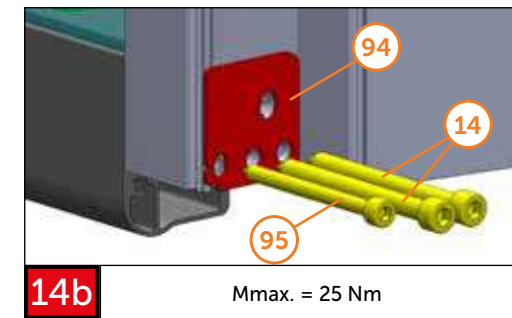
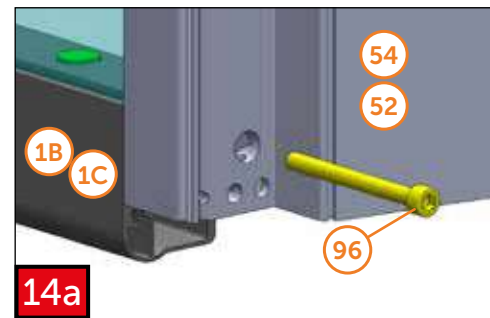
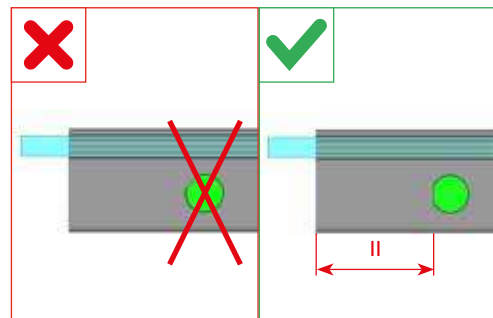
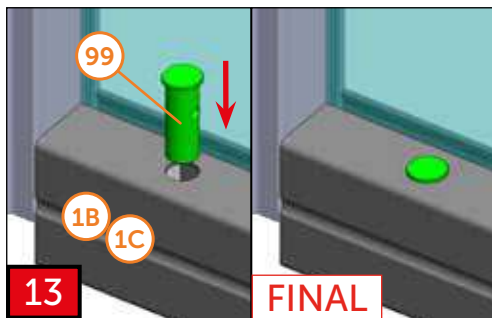
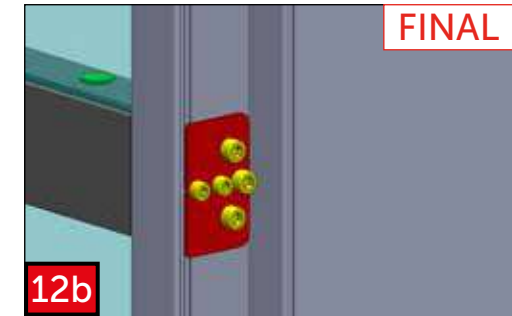
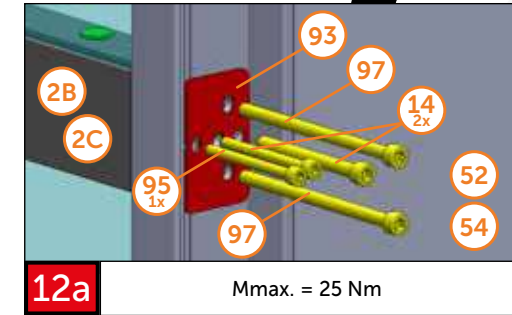
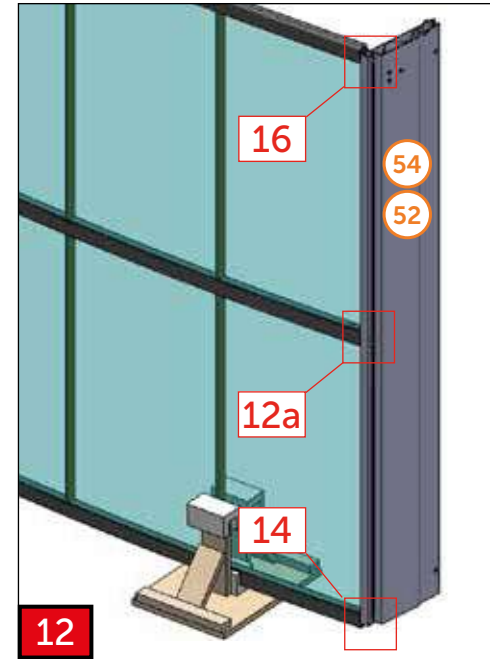
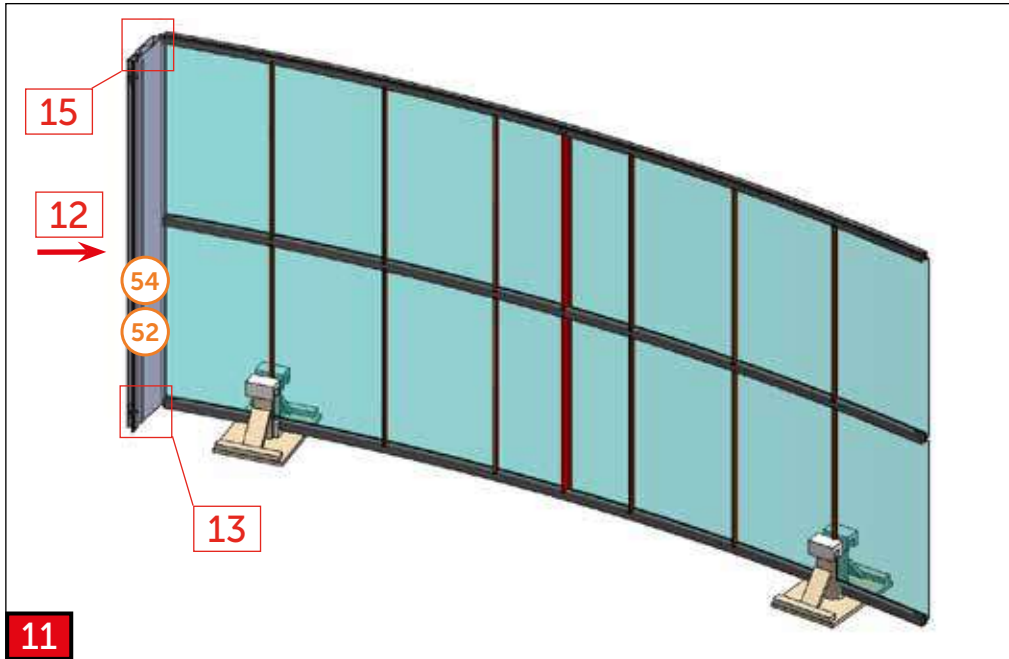
Pomocný držák pro montáž modulu
Auxiliary holder for the assembly of module
Zusätzliche Halterung für die Modulmontage
Support auxiliaire pour l'assemblage du module
Вспомогательный держатель для сборки модуля

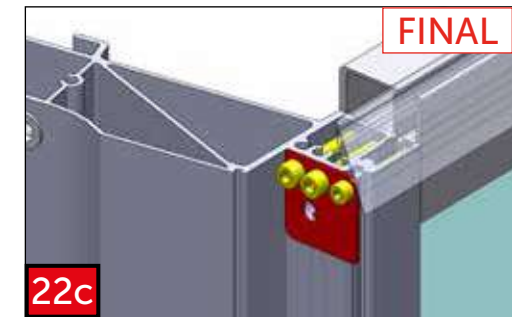
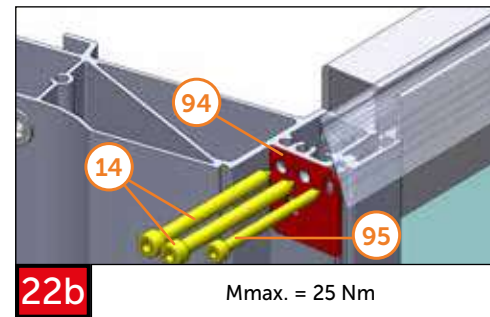
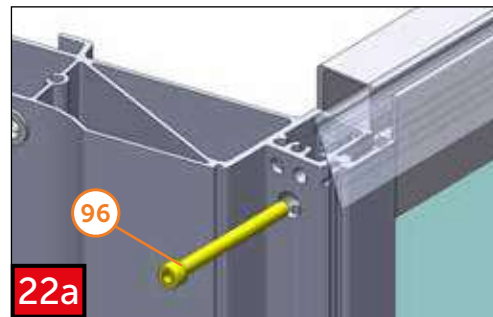
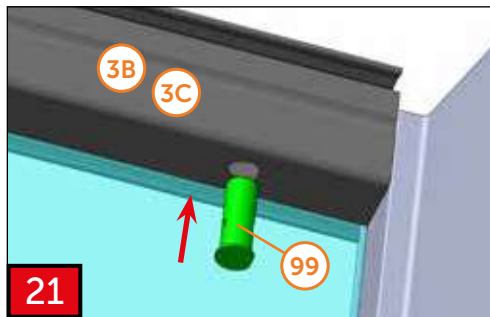
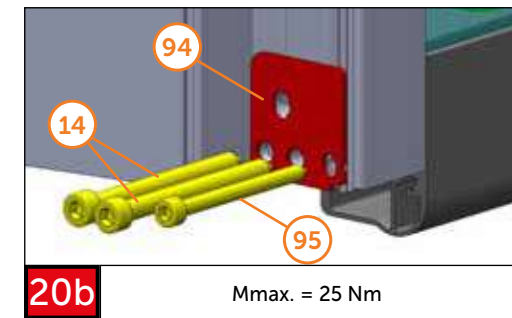
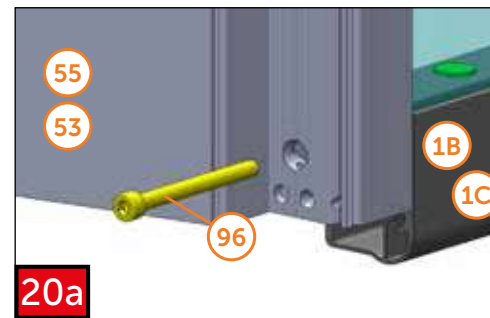
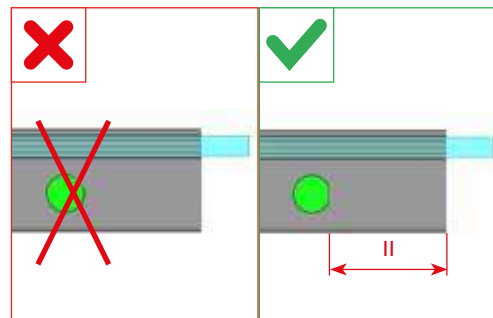
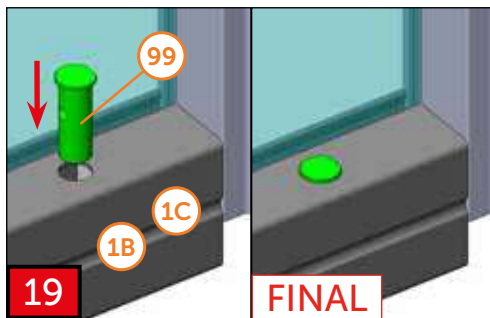
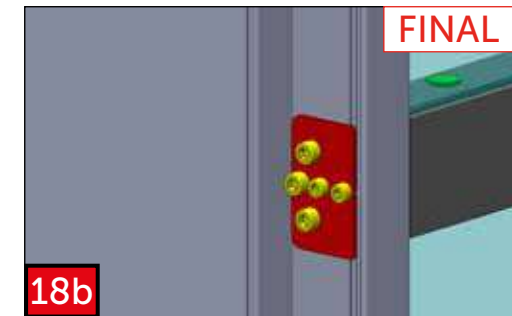
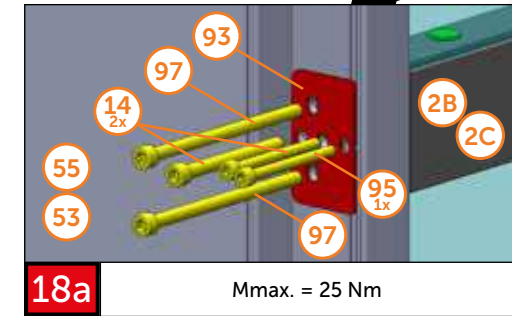
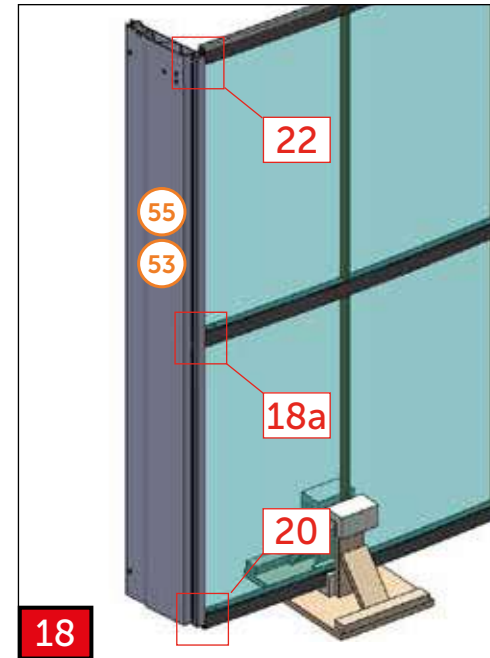
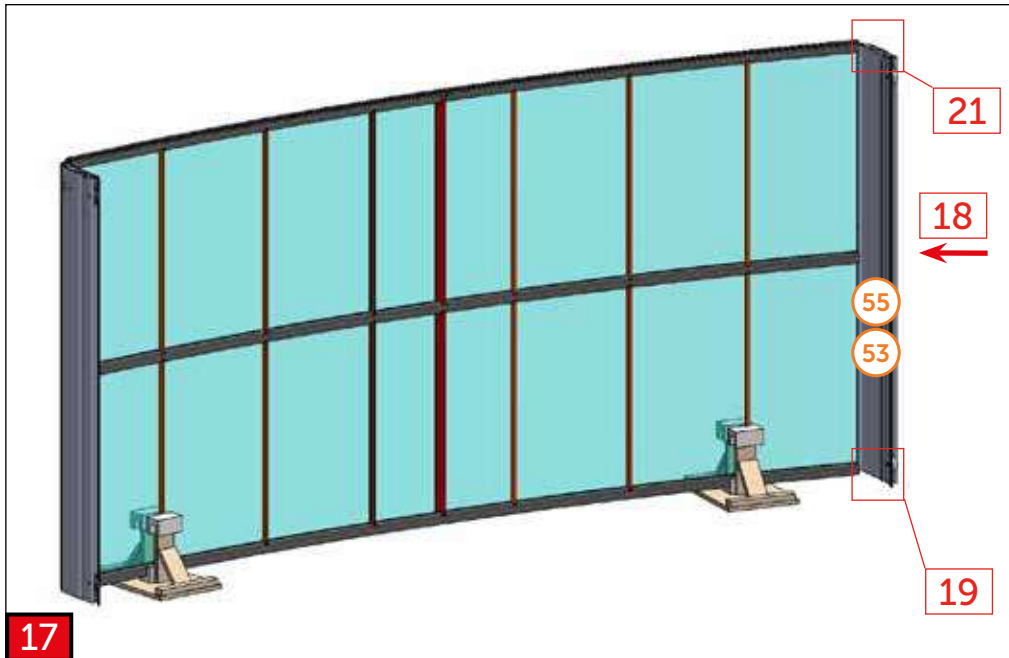


Nutné zajistit modul proti překlpení. Doporučujeme vyrobit držák z balení (prkna + výložky) nebo zajistit jiným způsobem.
 The module must be secured against falling. We recommend that you make a holder from the transport box (boards + foam liner) or that you secure the module in other safe way.
 Das Modul muss gegen Umkippen gesichert werden. Wir empfehlen, einen Halter aus der Verpackung (Bretter + Liner) zu machen oder das Modul auf andere Weise zu sichern.
 Il est nécessaire d'assurer le module contre son renversement. Nous recommandons de fabriquer le support de l'emballage (les planches + les parements) ou de l'assurer autrement.
 Необходимо обезопасить модуль от опрокидывания. Мы рекомендуем сделать держатель из упаковки (доски + вкладыши) или закрепить его другим способом.

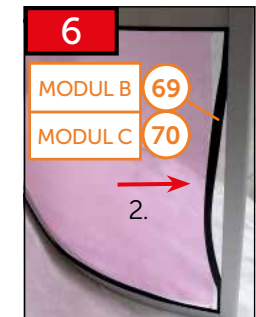
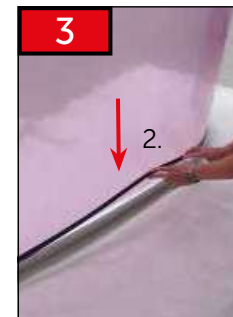
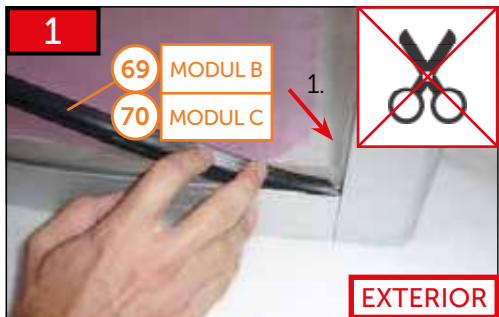
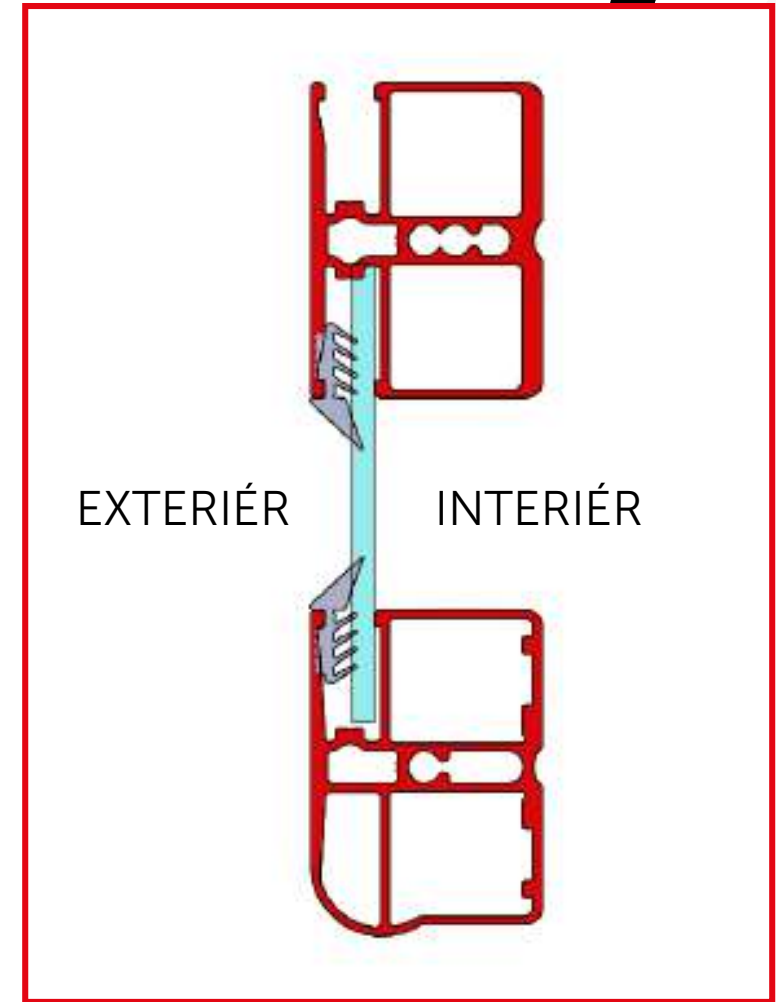
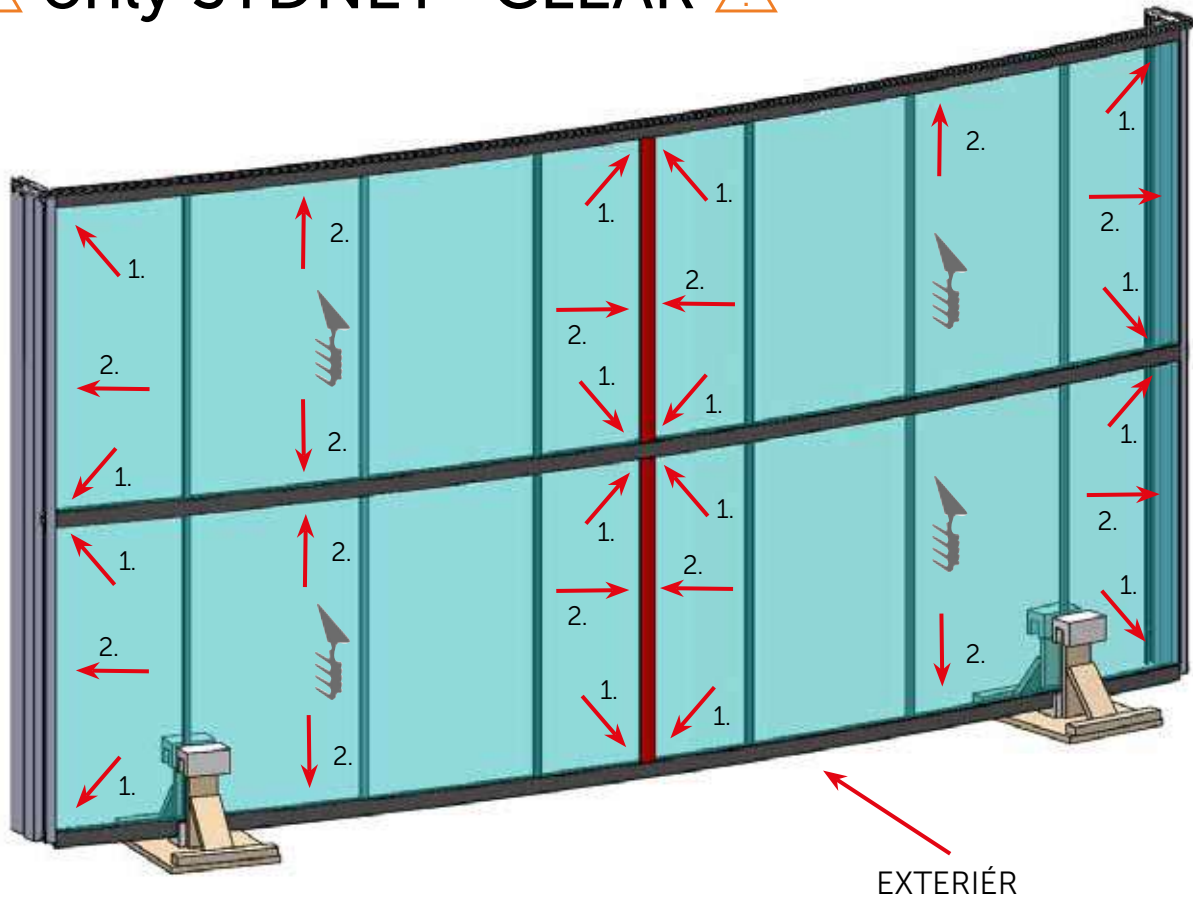


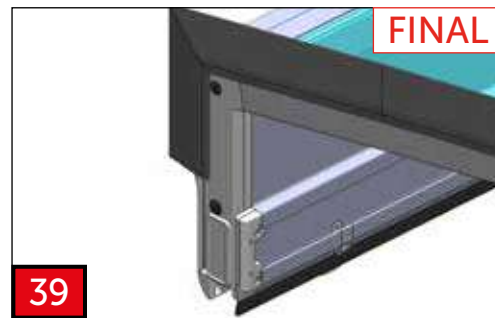
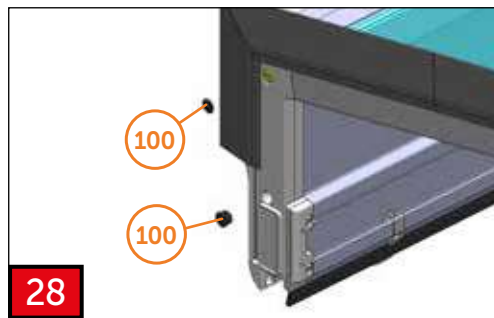
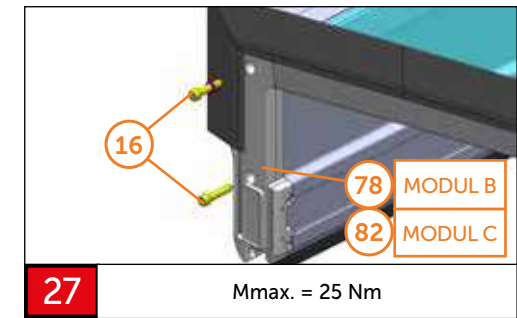
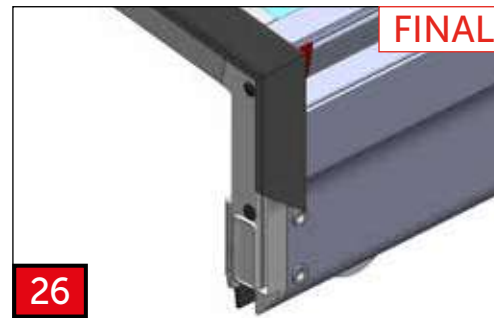
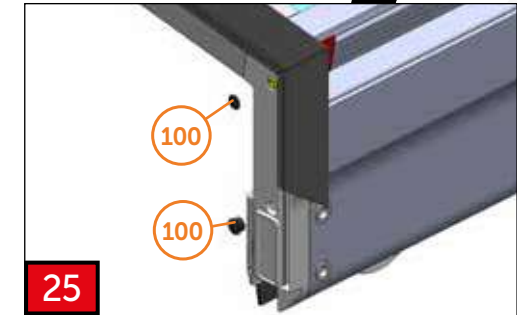
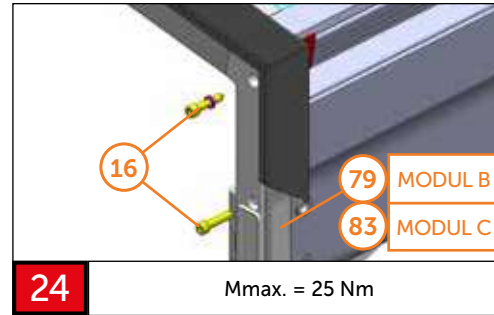
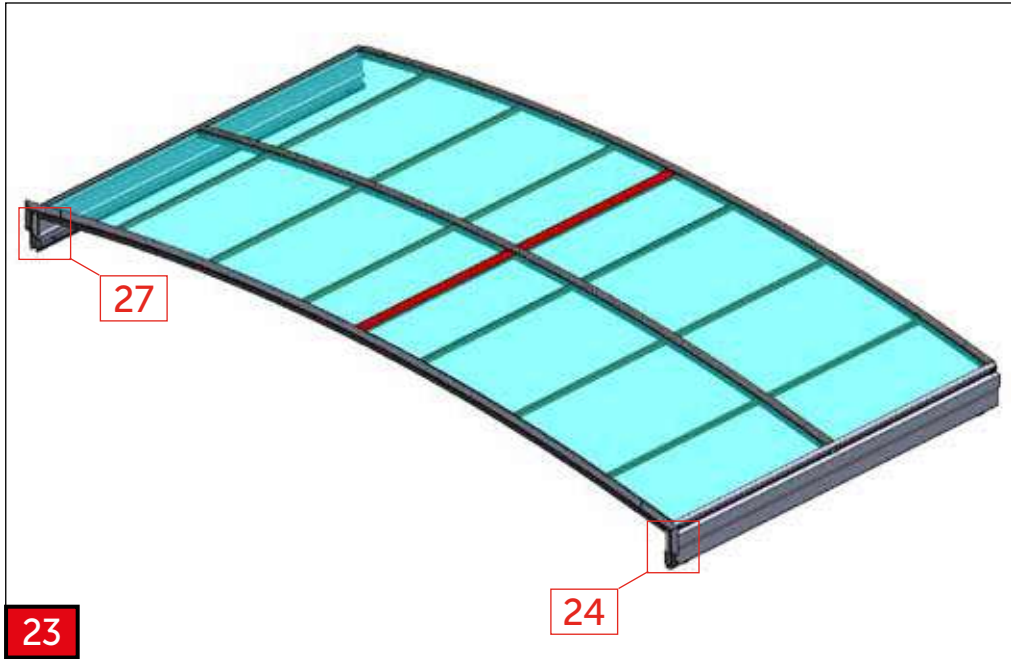


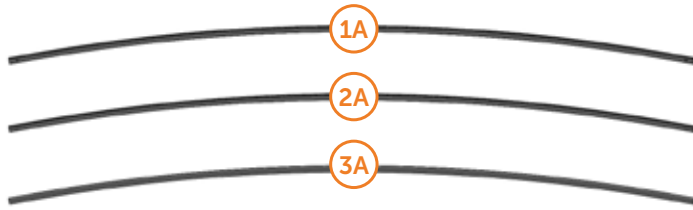




⚠ only SYDNEY CLEAR ⚠







1SP07-01-001

ø4 x 10
28x

7

1SZ03-01-035

DIN 914
M6x14
2x

8

1SZ29-01-008

2x

11

1SZ03-01-040

2x

12

1SP11-01-029

AN 9051
6,3 x 50
1x

13

1SP11-01-031

AN 9051
6,3 x 70
13x

14

1SP11-01-027

AN 9051
6,3 x 38
2x

15

1SP11-01-053

AN 9051 A4
6,3 x 32
6x

16

1NA03-01-050

1x

17

| | |
|--------------------------------------|---------|
| Sydney BS/ Clear BS 2Z04-01-SD004 | 906 mm |
| Sydney B/ Clear B 2Z04-01-SD001 | 1041 mm |

12x

36

| | |
|--------------------------------------|---------|
| Sydney BS/ Clear BS 2Z05-01-SD005 | 906 mm |
| Sydney B/ Clear B 2Z05-01-SD001 | 1041 mm |

2x

37

2Z12-03-DP020

215 mm
1x

45

2Z12-03-DP019

4049 mm
1x

47

"KL" = "KP"

| | |
|--------------------------------------|---------|
| Sydney BS/ Clear BS 2Z02-09-SR011 | 1880 mm |
| Sydney B/ Clear B 2Z02-09-SR001 | 2150 mm |

1x

56

"KL" = "KP"

| | |
|--------------------------------------|---------|
| Sydney BS/ Clear BS 2Z02-09-SR012 | 1880 mm |
| Sydney B/ Clear B 2Z02-09-SR002 | 2150 mm |

1x

57

| | |
|--------------------------------------|---------|
| Sydney BS/ Clear BS 2Z02-09-SD028 | 1880 mm |
| Sydney B/ Clear B 2Z02-09-SD027 | 2150 mm |

2x

58

| | |
|---------------------|----------------|
| Sydney BS/ Clear BS | 2040 x 915 mm |
| Sydney B/ Clear B | 2040 x 1050 mm |

MODULA

4x

60

2x

64

2x

66

2Z09-01-SD078

1x

MODULA

74

2Z09-01-SD079


1x

MODULA

75




1SP10-01-077



| |
|---------|
| DIN 912 |
| M 5x65 |
| 2x |

91


1SP10-01-084



| |
|----------|
| ISO 7380 |
| M 6x20 |
| 4x |

92


1SZ18-02-010



| |
|----|
| 2x |
|----|

93


1SZ18-02-012



| |
|----|
| 4x |
|----|

94


1SP11-01-049



| |
|---------|
| AN 9051 |
| 4,8x60 |
| 6x |

95


1SP10-01-078



| |
|---------|
| DIN 912 |
| M 6x65 |
| 4x |

96


1SP10-01-082



| |
|---------|
| DIN 912 |
| M 6x100 |
| 4x |

97


1SZ03-01-038



| |
|----|
| 2x |
|----|

98

1SZ03-01-030



| |
|----|
| 4x |
|----|

99

1SZ12-01-010



| |
|----|
| 6x |
|----|

100


1SZ12-01-052



| |
|----|
| 2x |
|----|

104


1SZ12-01-051



| |
|----|
| 2x |
|----|

10

1SP10-01-025



| |
|--------|
| DIN912 |
| M6x25 |
| 2x |

108

2Z09-01-SD076



| |
|----|
| 1x |
|----|

72



2Z09-01-SD077



| |
|----|
| 1x |
|----|

73



1SZ18-02-001D



| |
|----|
| 1x |
|----|

3



1SZ18-02-002D



| |
|----|
| 1x |
|----|

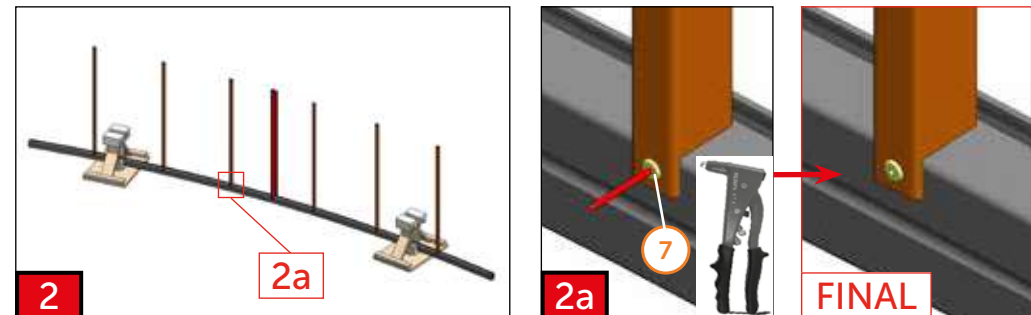
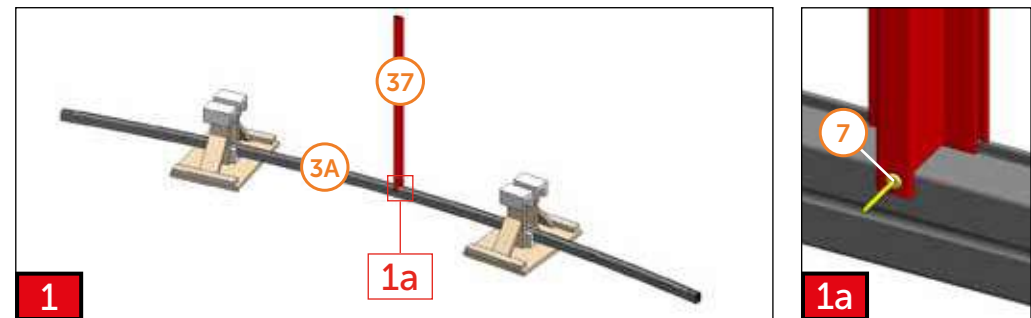
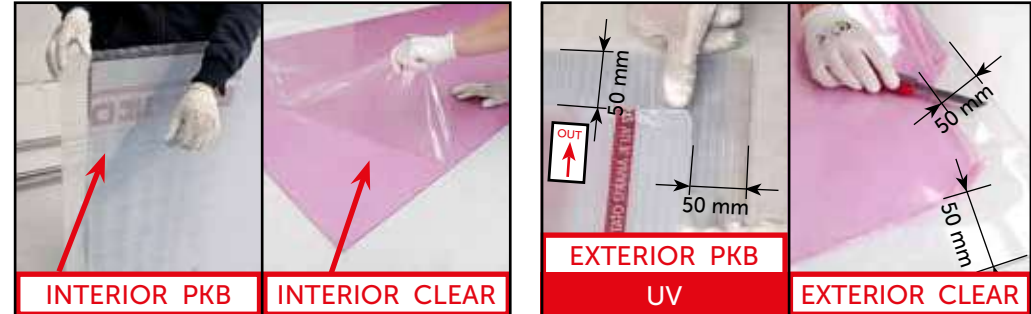
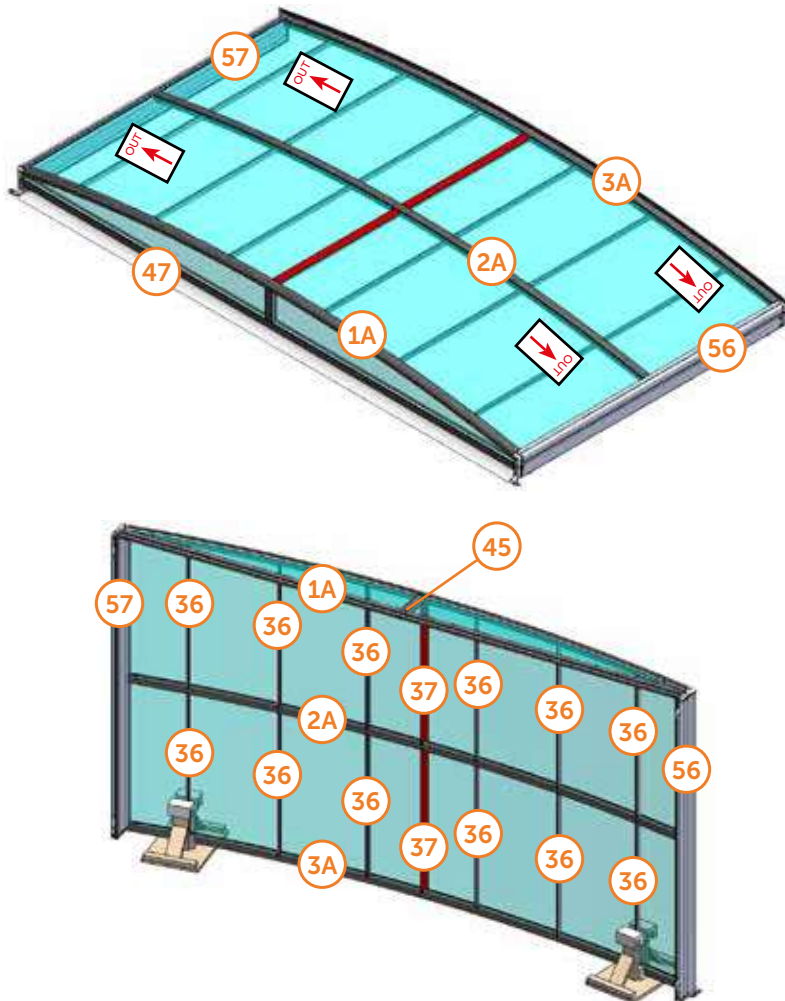
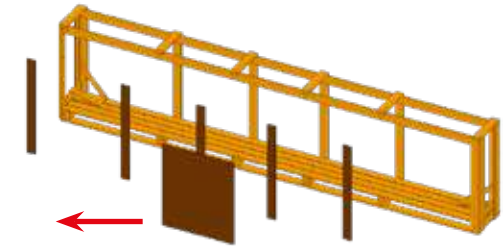
4

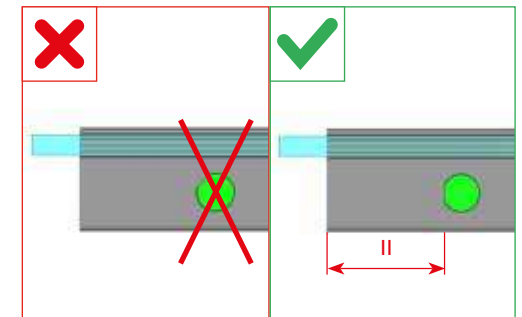
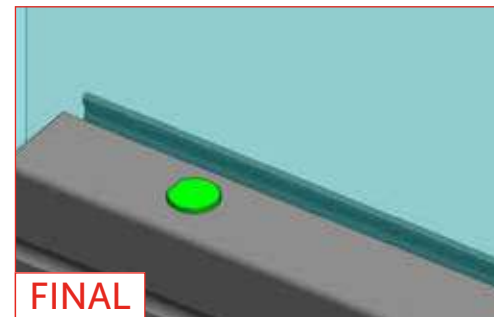
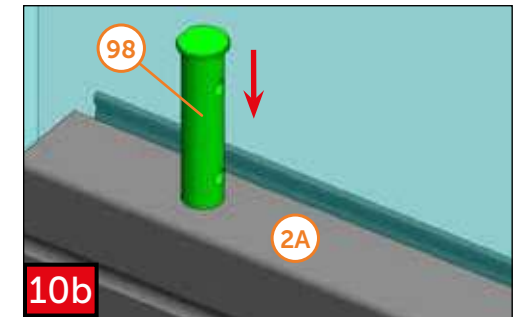
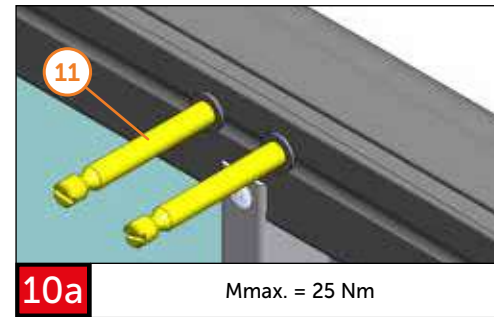
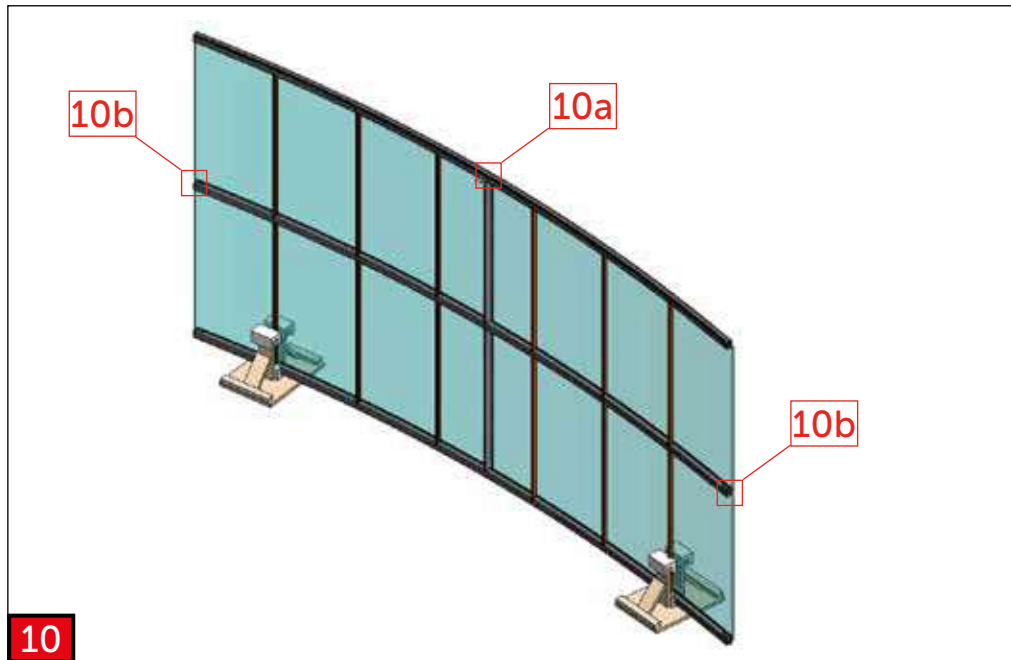
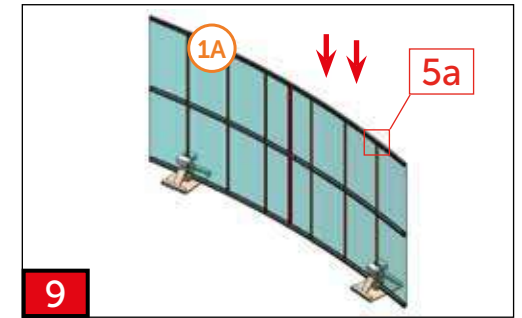
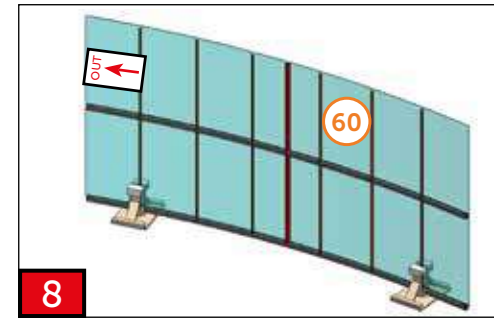
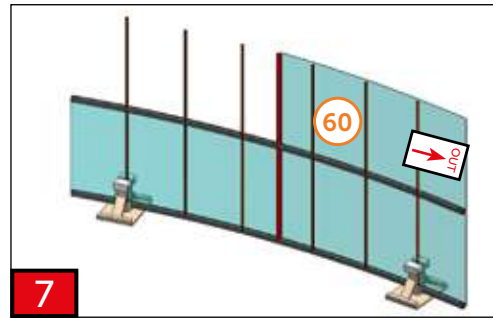
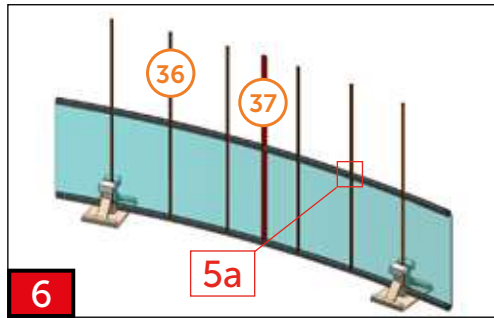
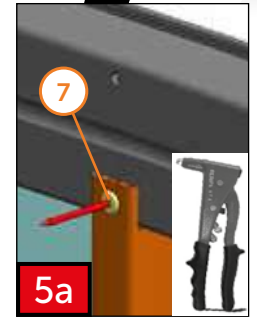
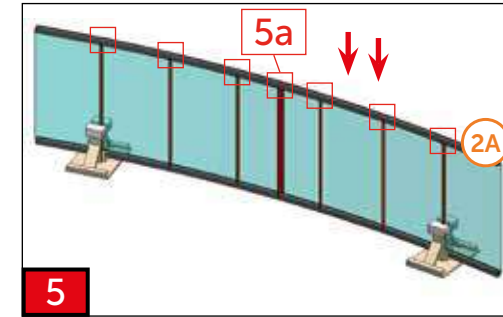
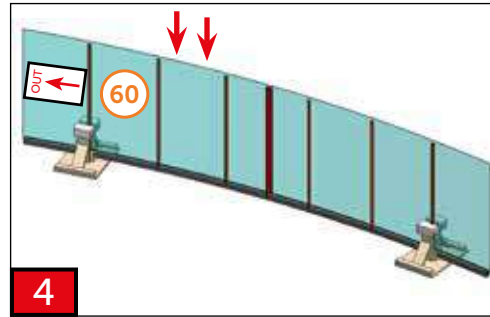
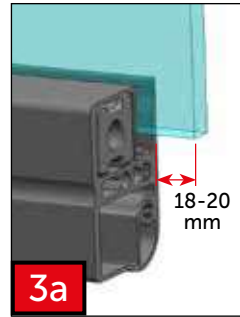
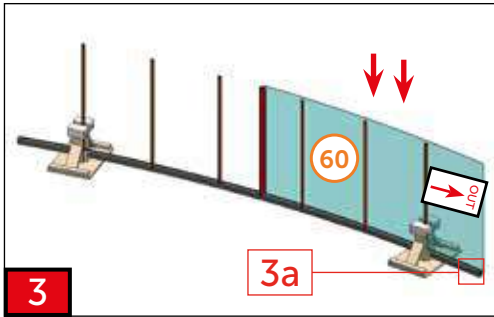


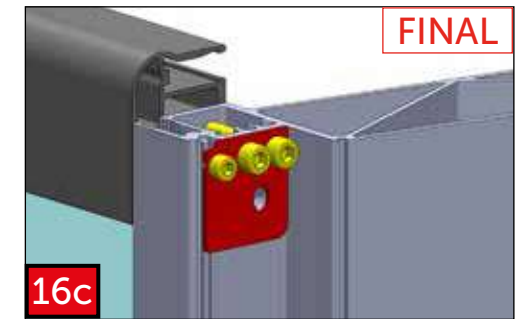
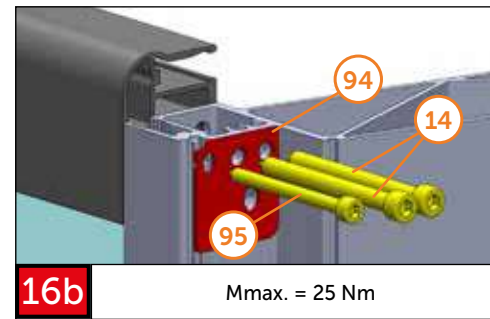
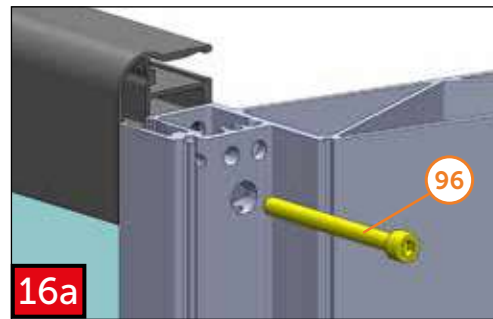
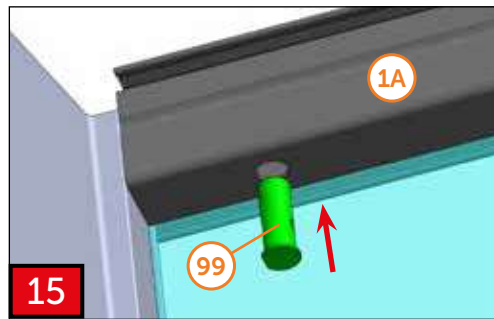
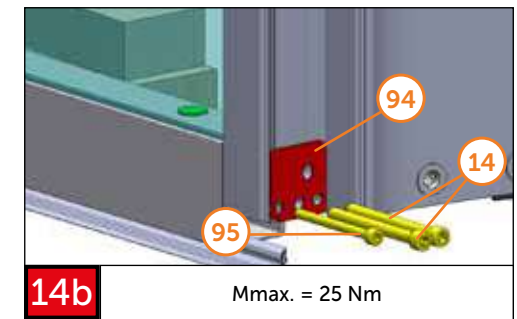
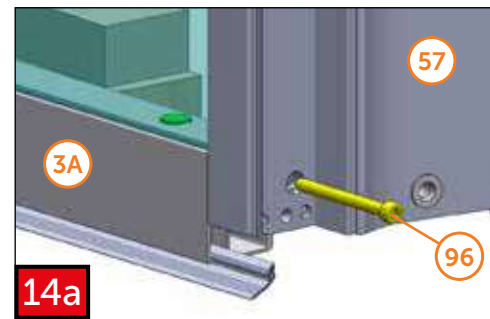
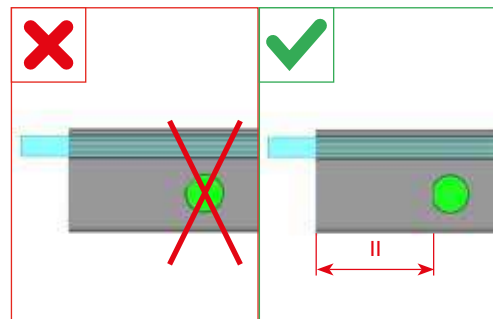
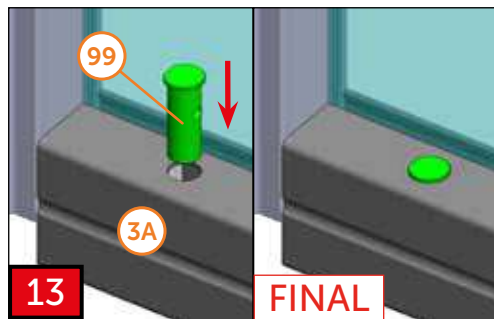
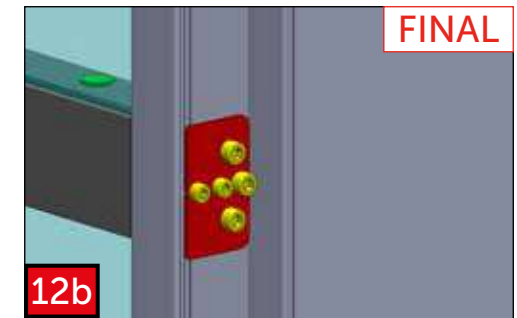
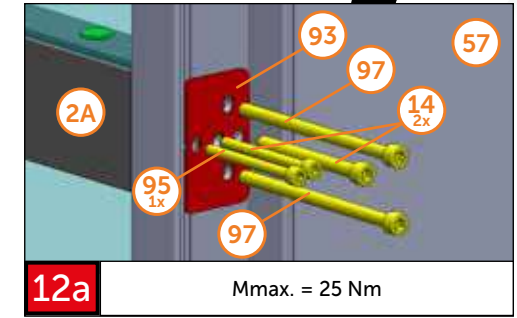
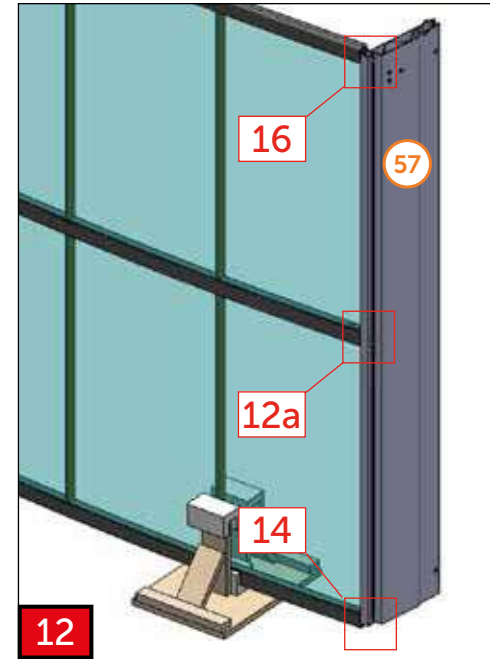
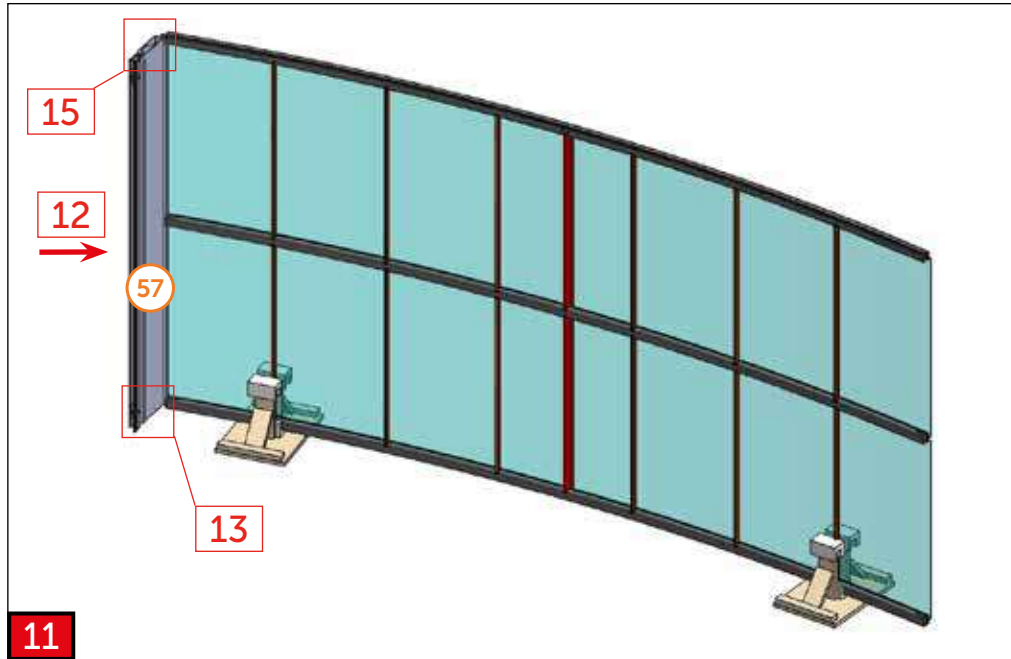
Pomocný držák pro montáž modulu
Auxiliary holder for the assembly of module
Zusätzliche Halterung für die Modulmontage
Support auxiliaire pour l'assemblage du module
Вспомогательный держатель для сборки модуля

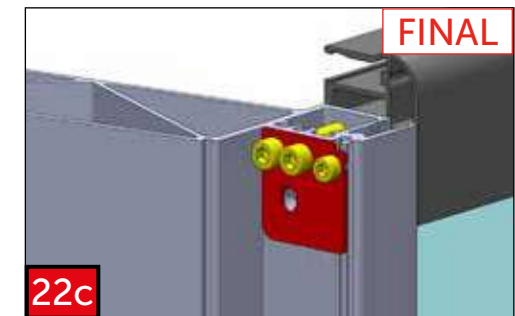
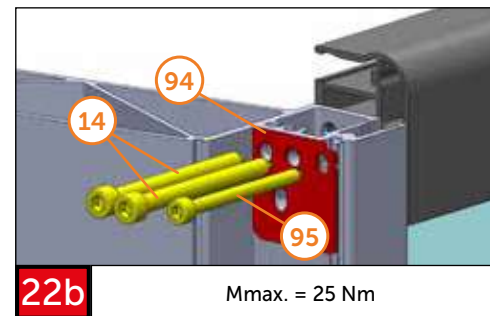
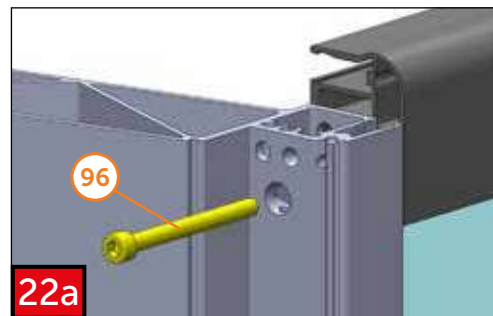
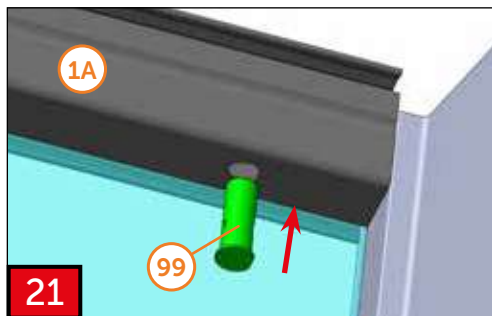
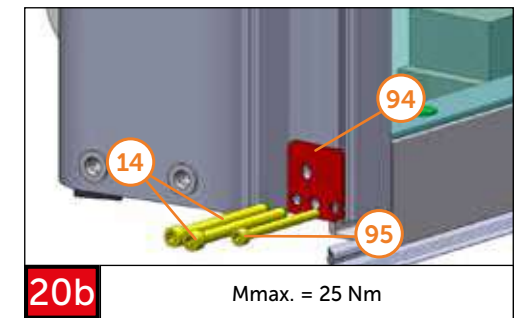
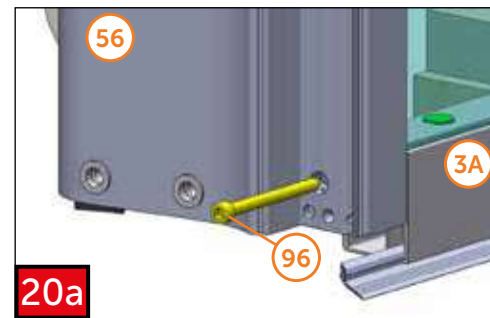
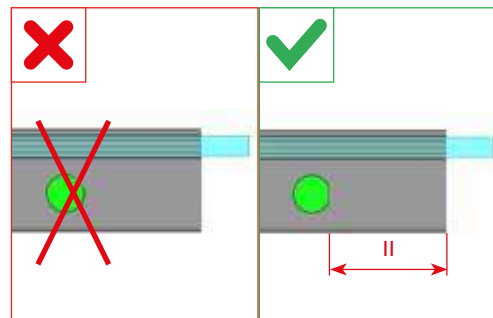
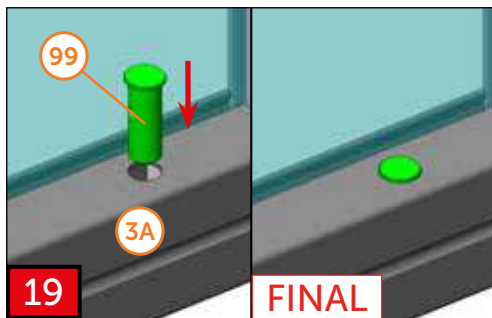
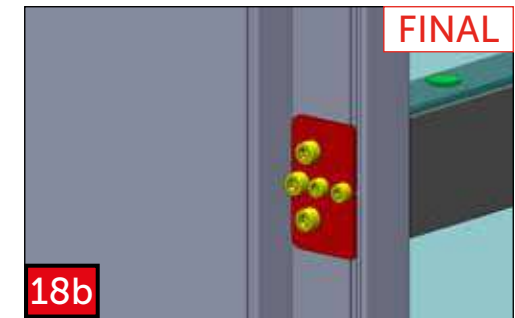
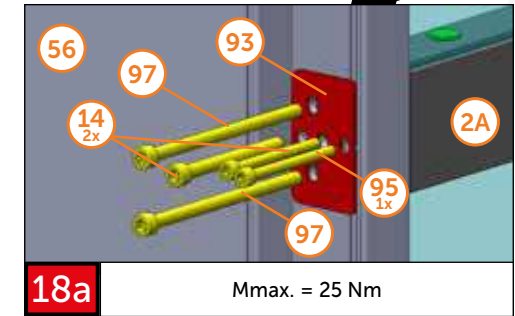
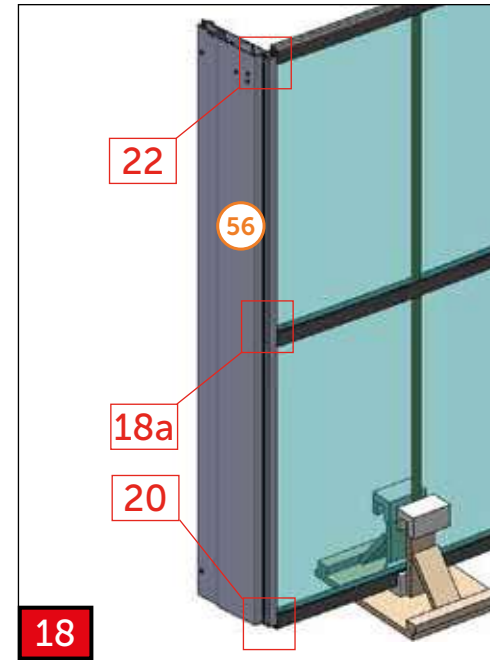
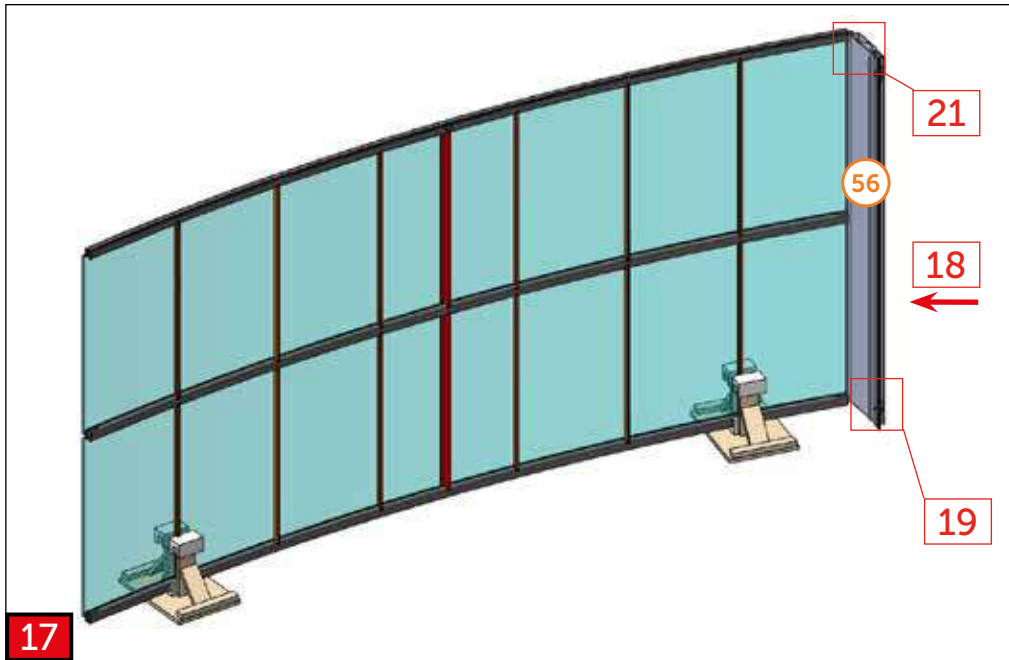


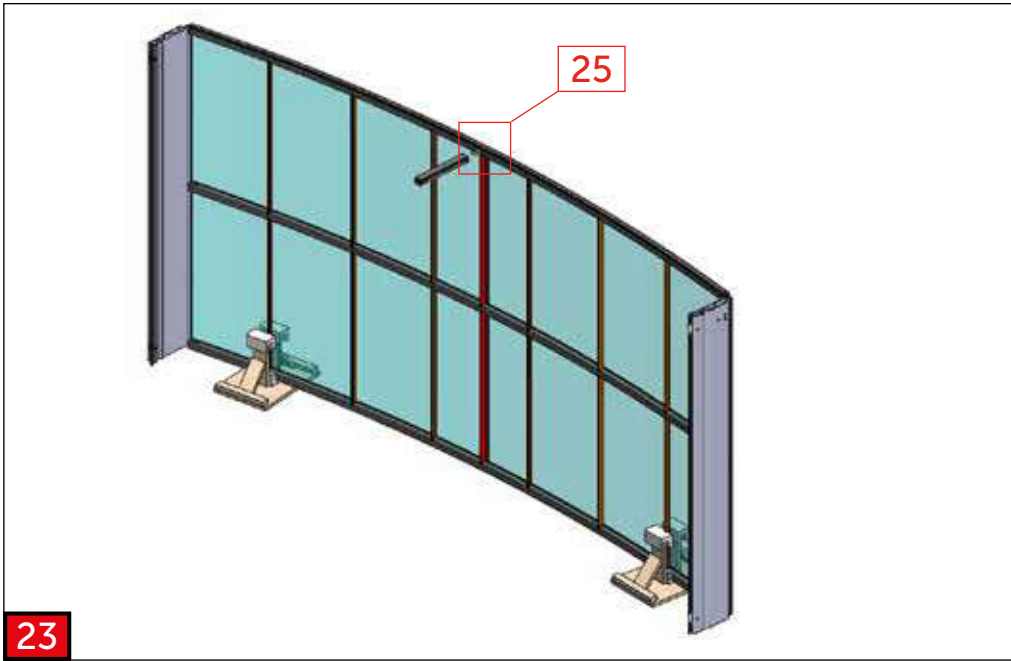
Nutné zajistit modul proti překlopení. Doporučujeme vyrobit držák z balení (prkna + výložky) nebo zajistit jiným způsobem.
 The module must be secured against falling. We recommend that you make a holder from the transport box (boards + foam liner) or that you secure the module in other safe way.
 Das Modul muss gegen Umkippen gesichert werden. Wir empfehlen, einen Halter aus der Verpackung (Bretter + Liner) zu machen oder das Modul auf andere Weise zu sichern.
 Il est nécessaire d'assurer le module contre son renversement. Nous recommandons de fabriquer le support de l'emballage (les planches + les parements) ou de l'assurer autrement.
 Необходимо обезопасить модуль от опрокидывания. Мы рекомендуем сделать держатель из упаковки (доски + вкладыши) или закрепить его другим способом.



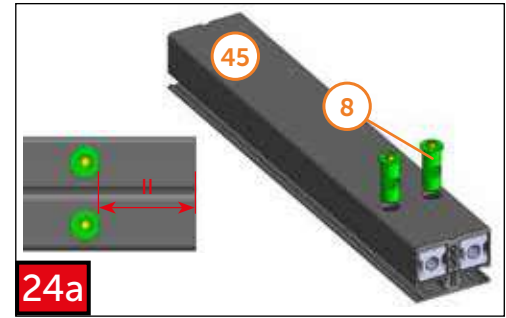








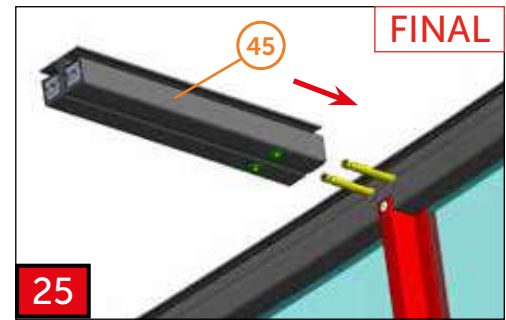
23



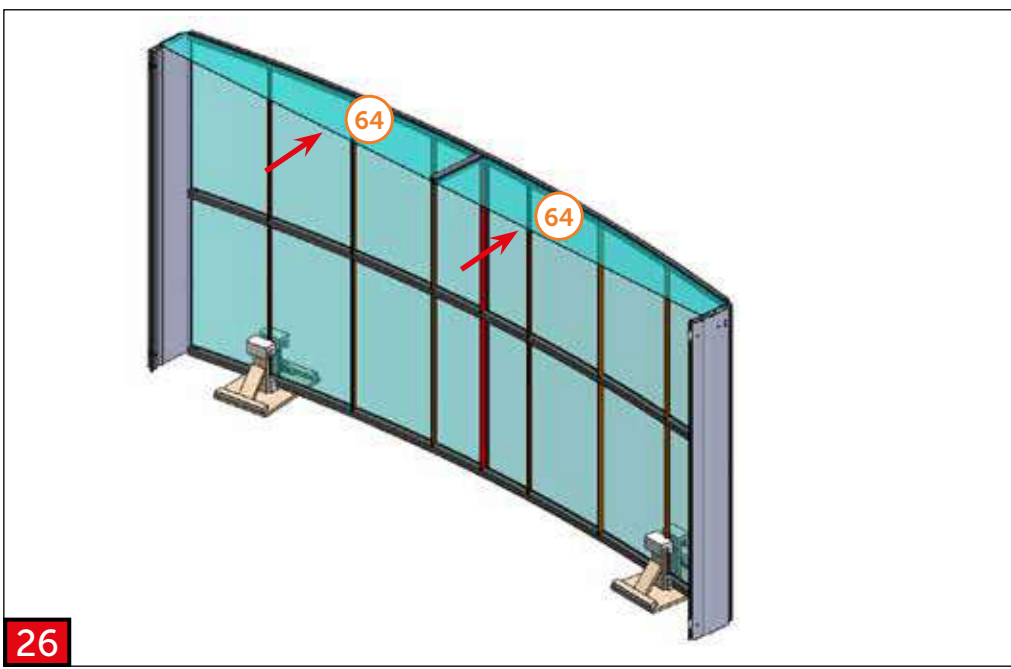
24a



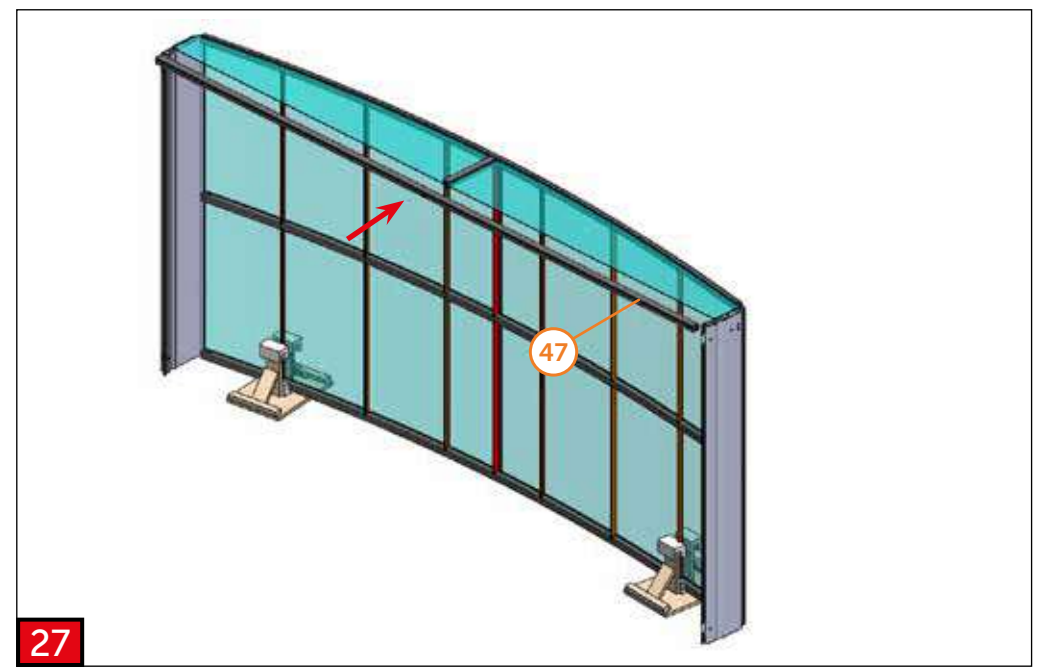
25a



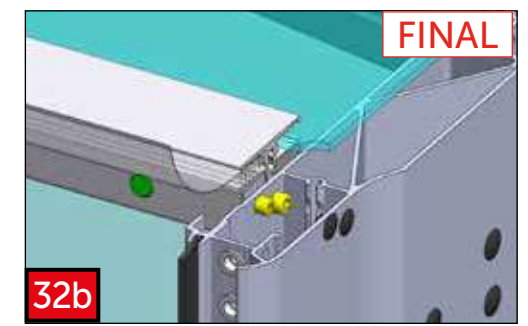
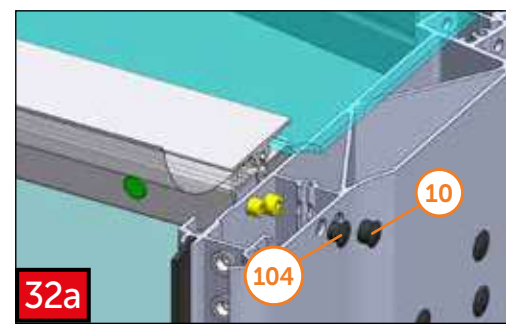
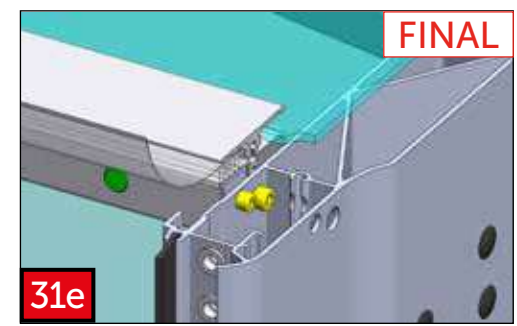
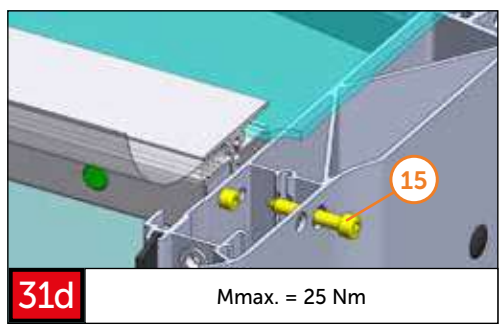
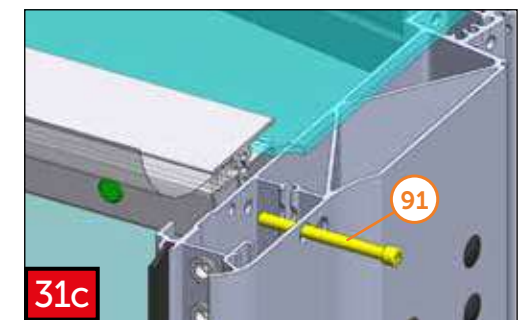
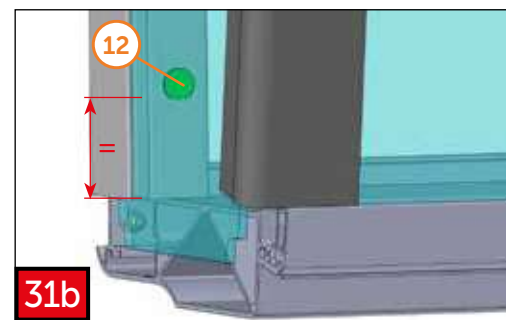
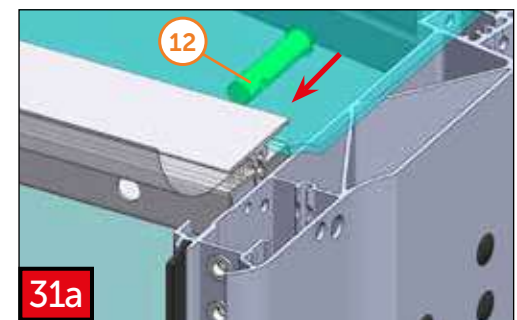
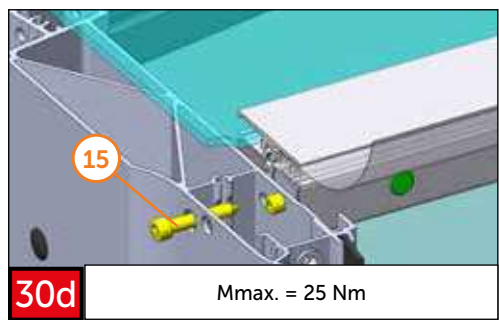
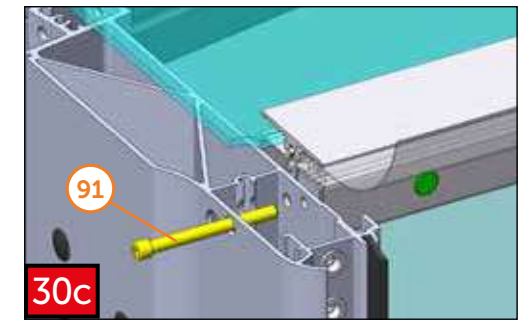
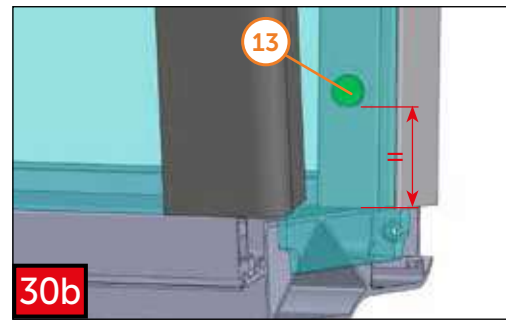
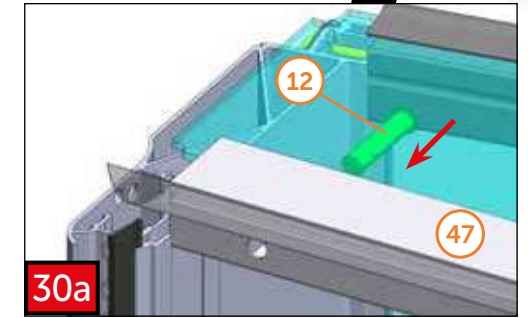
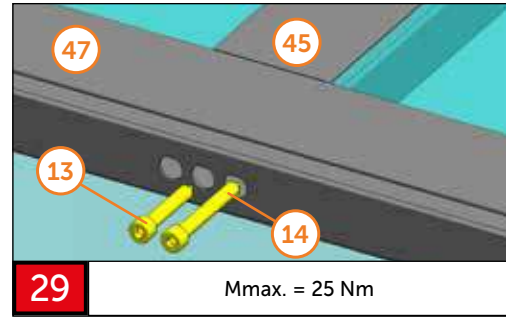
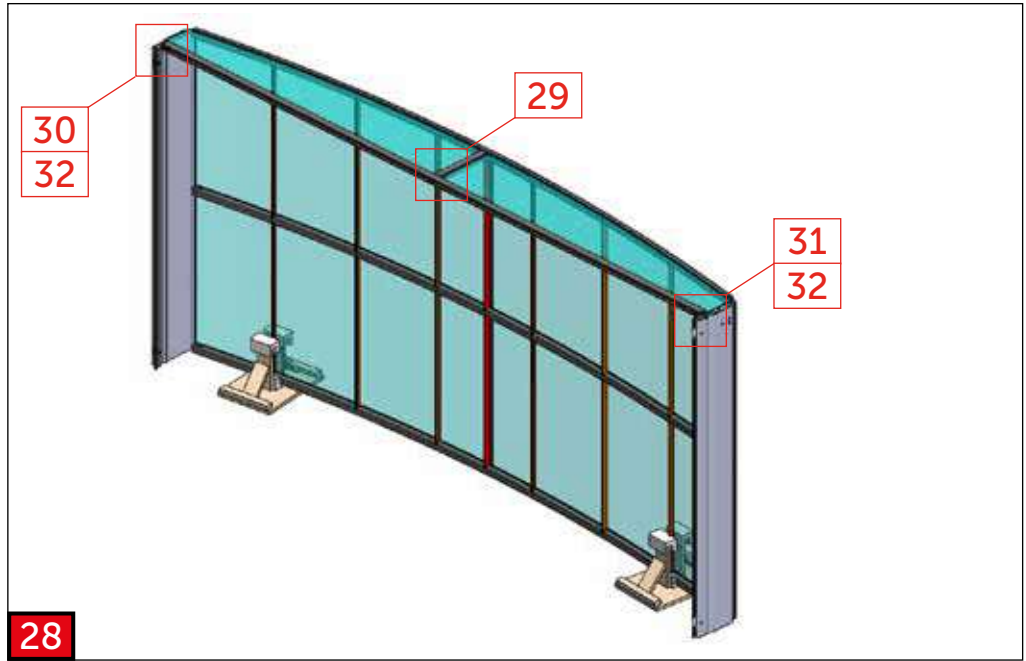
25



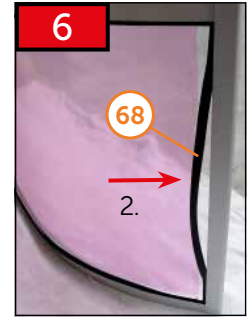
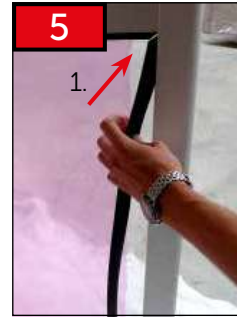
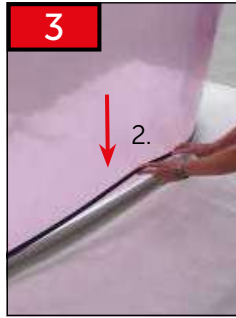
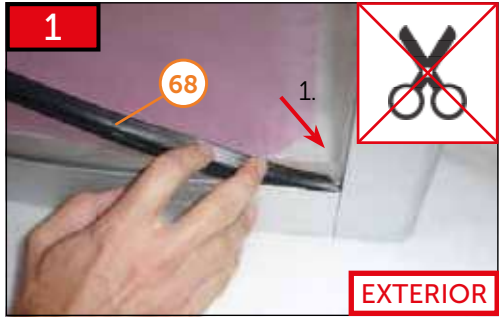
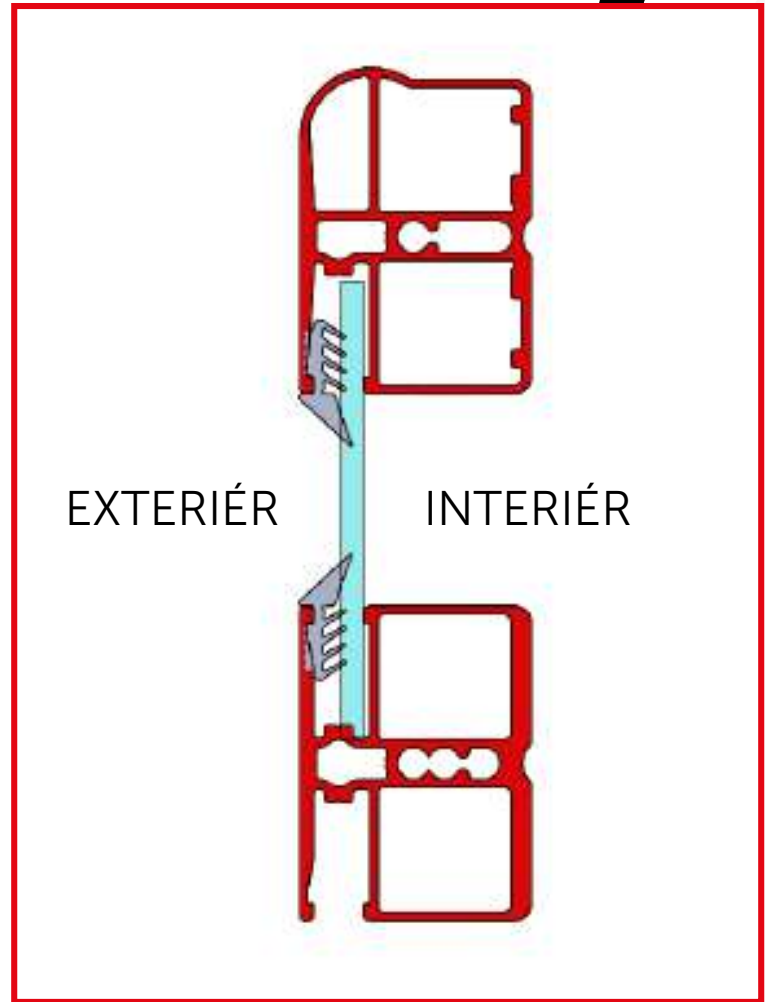
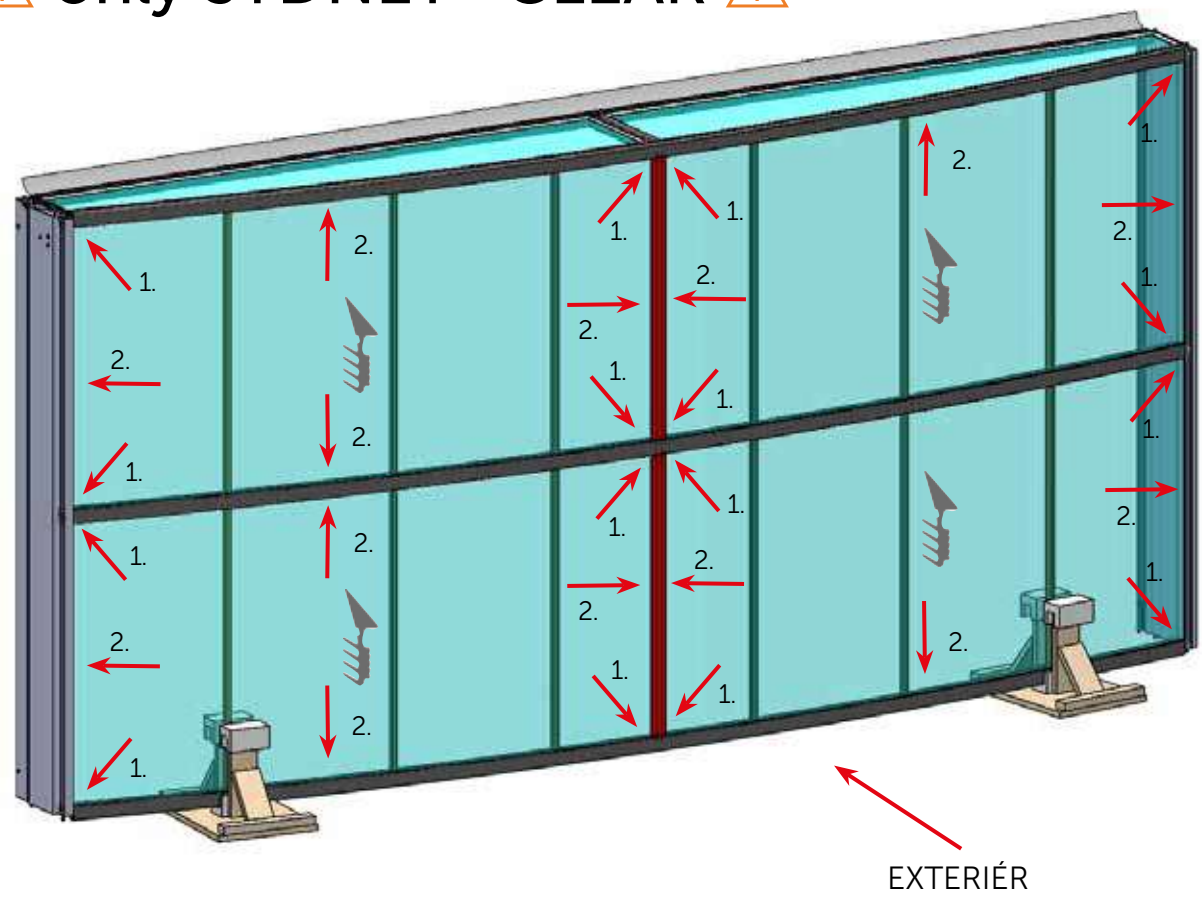
26

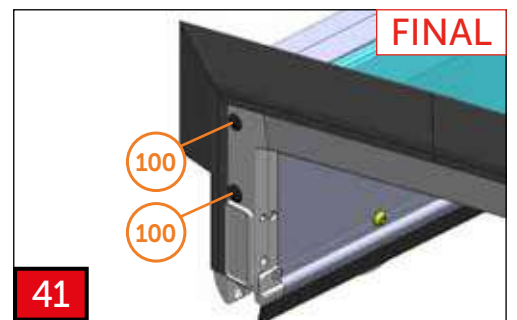
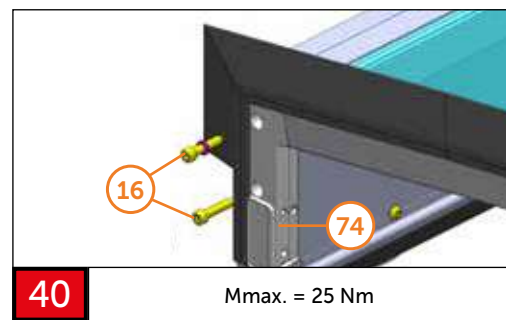
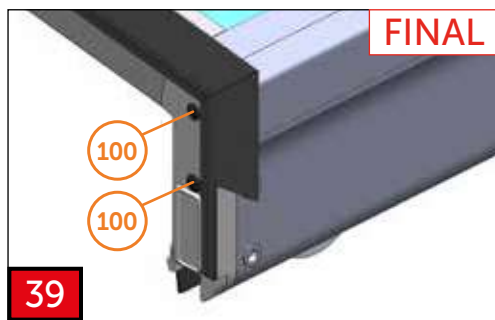
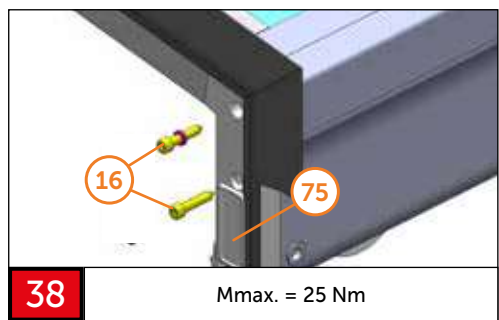
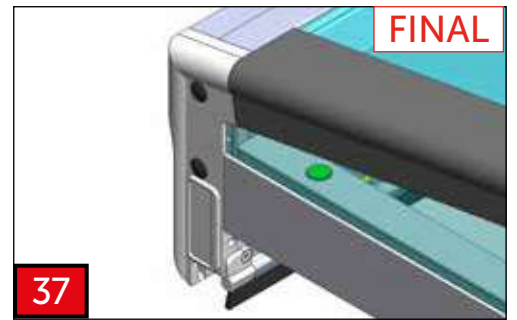
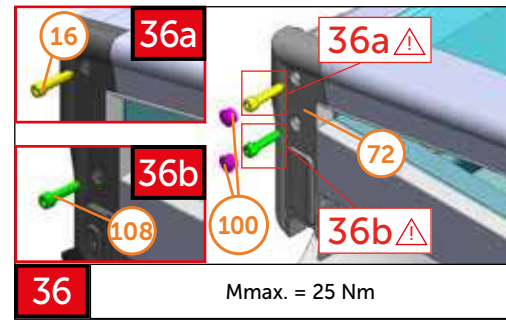
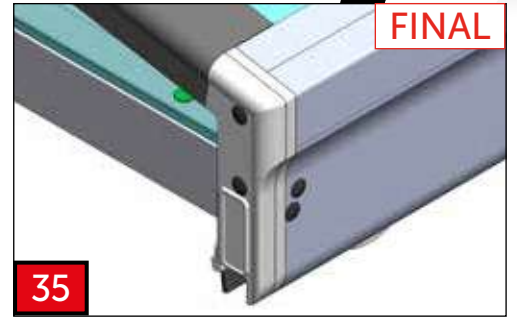
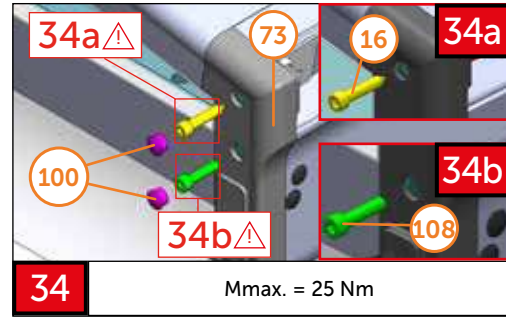
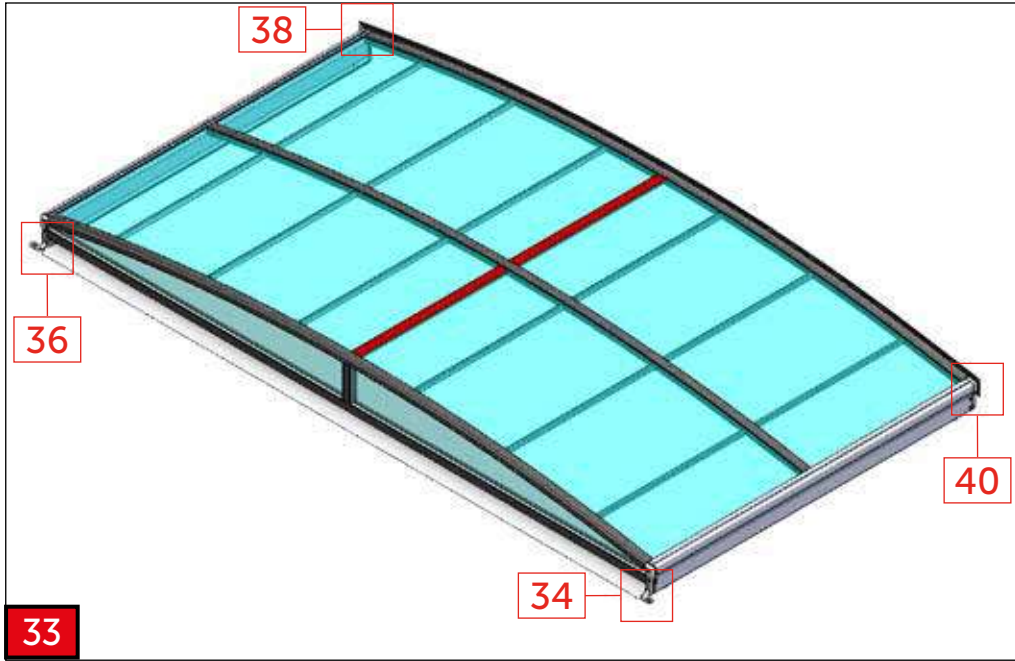


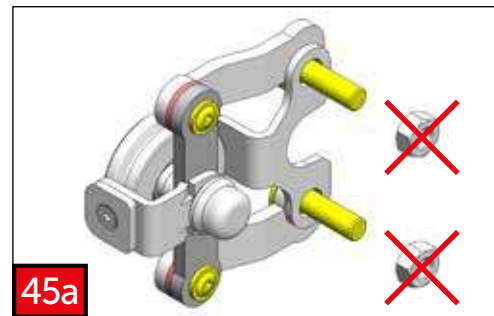
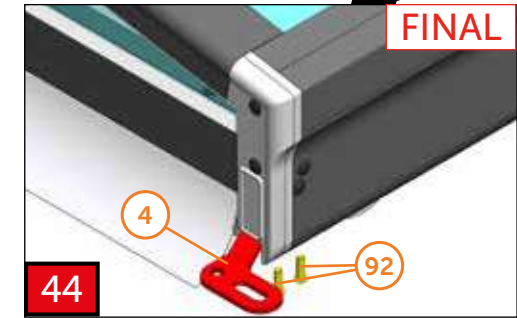
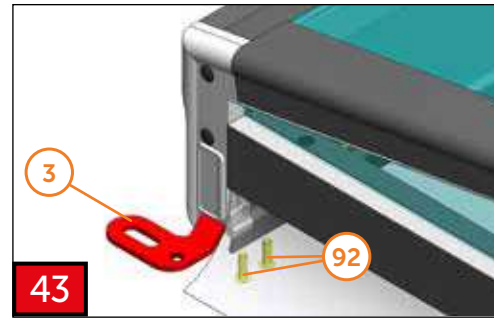
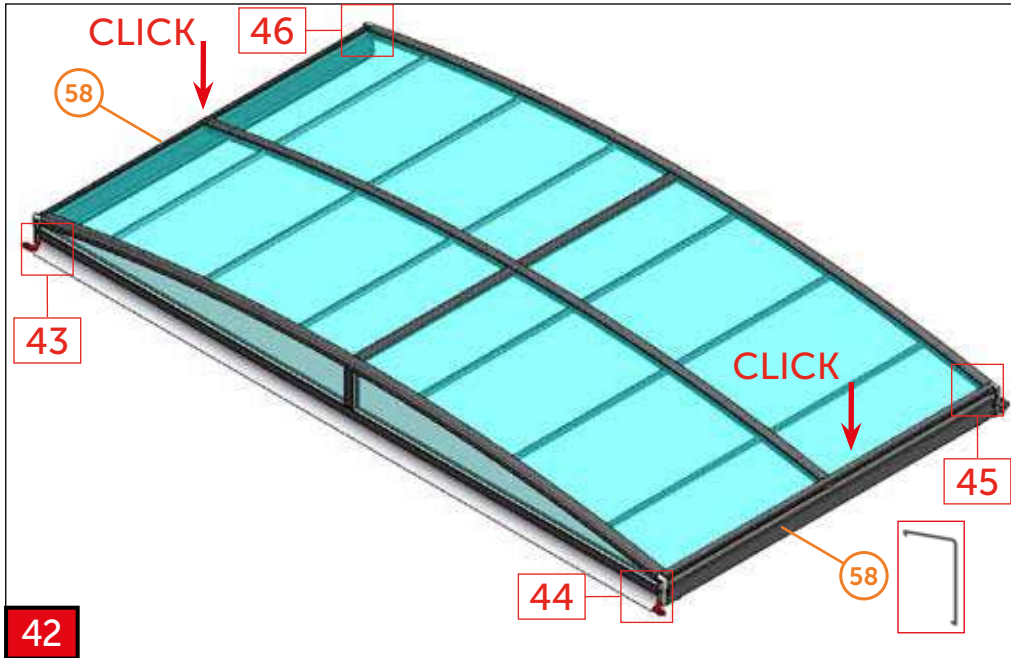
27



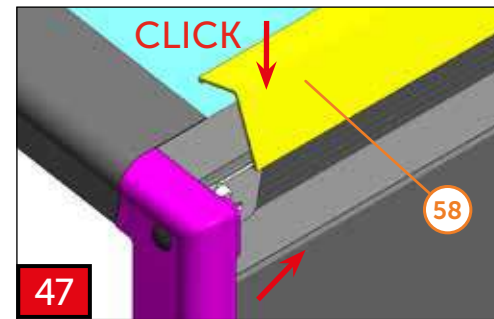
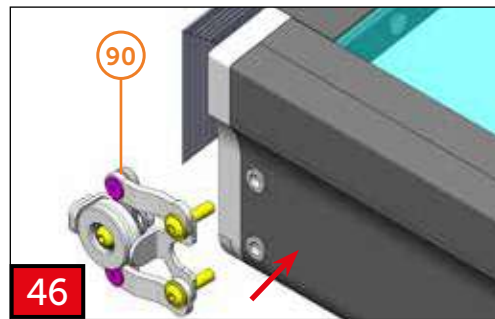
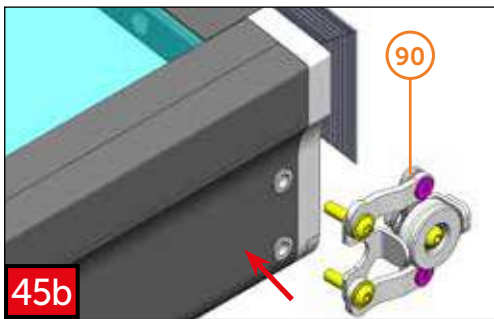
⚠ only SYDNEY CLEAR ⚠



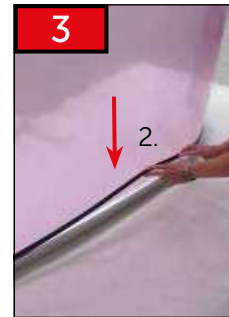
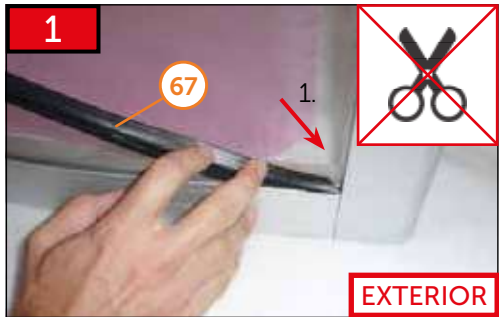
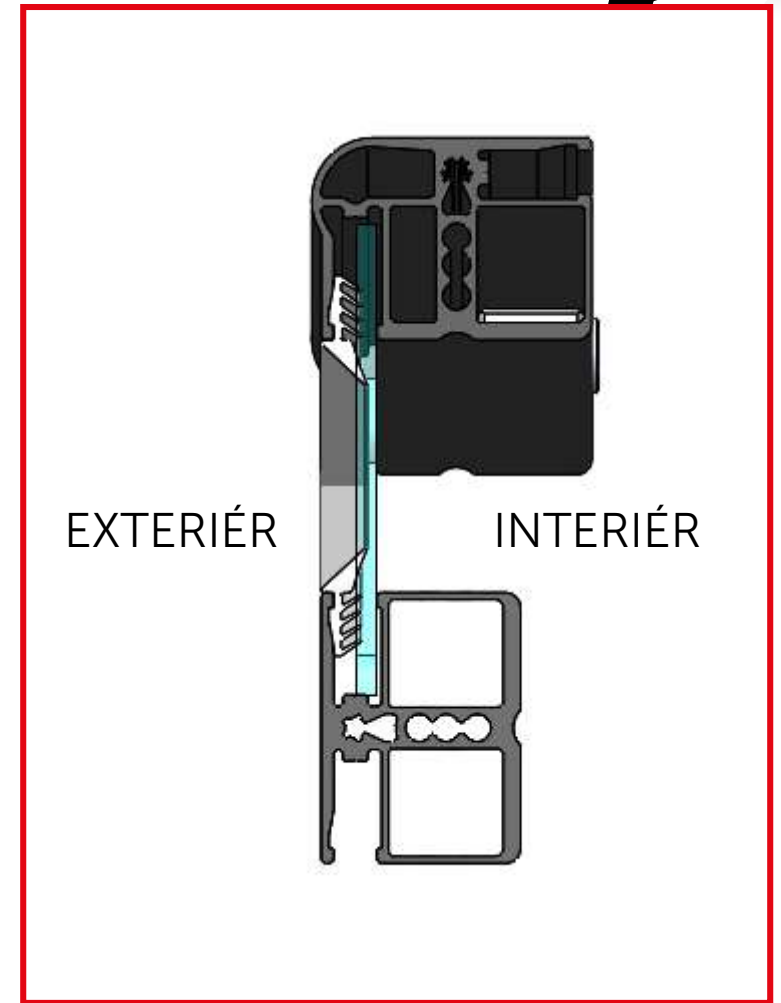
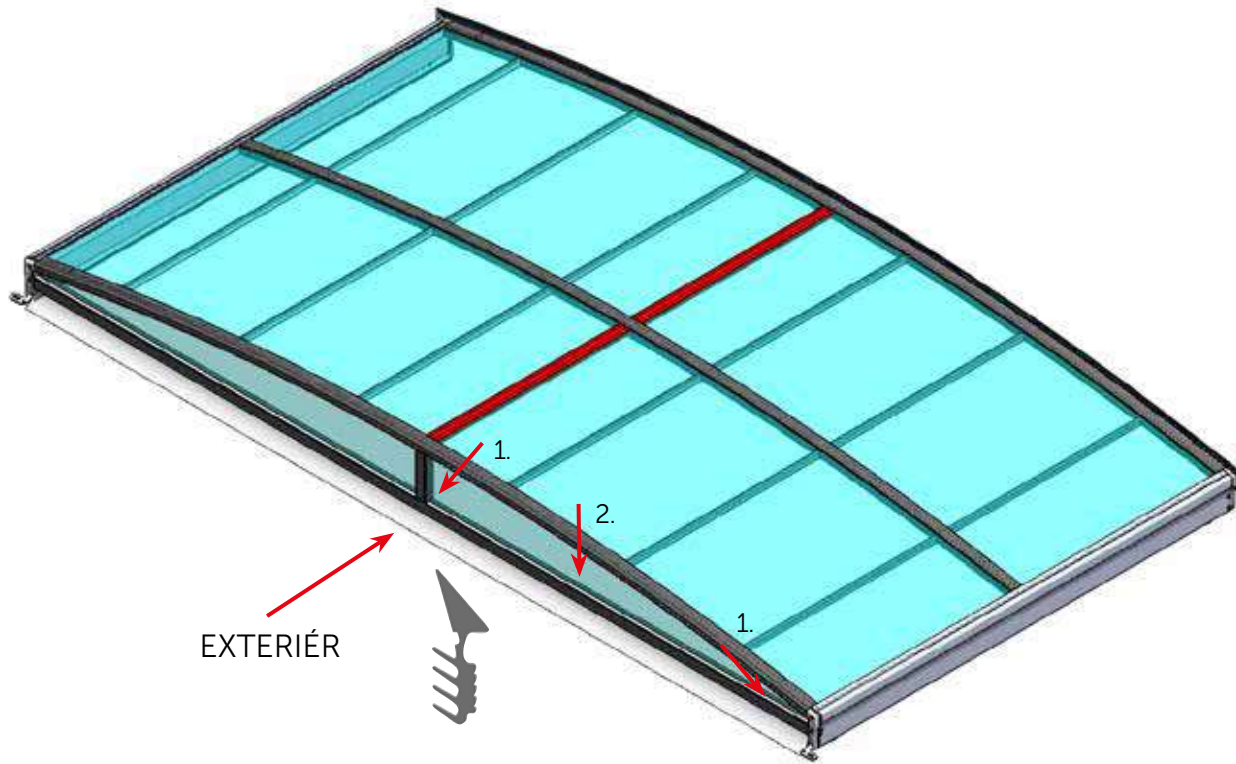




Jistící matky před montáží odstranit
 Remove the lock nuts before mounting
 Sicherungsmutter vor der Montage entfernen
 Enlevez les contre-écrous avant le montage
 Перед установкой снимите стопорные гайки

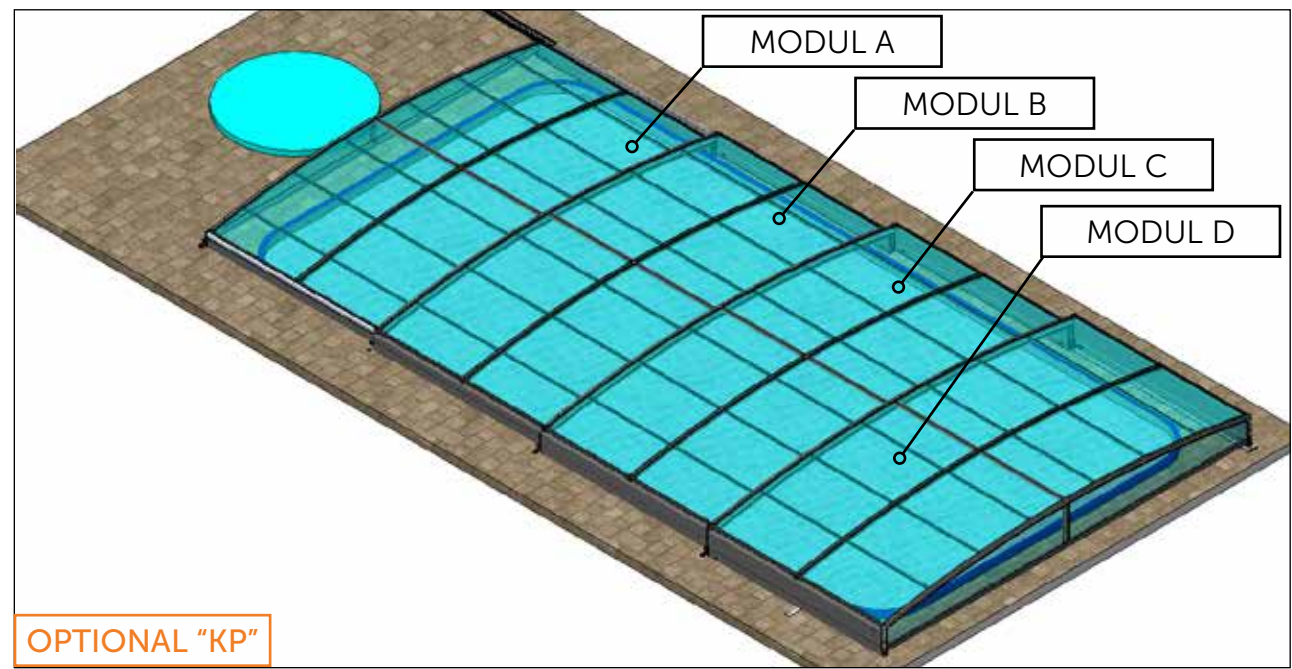
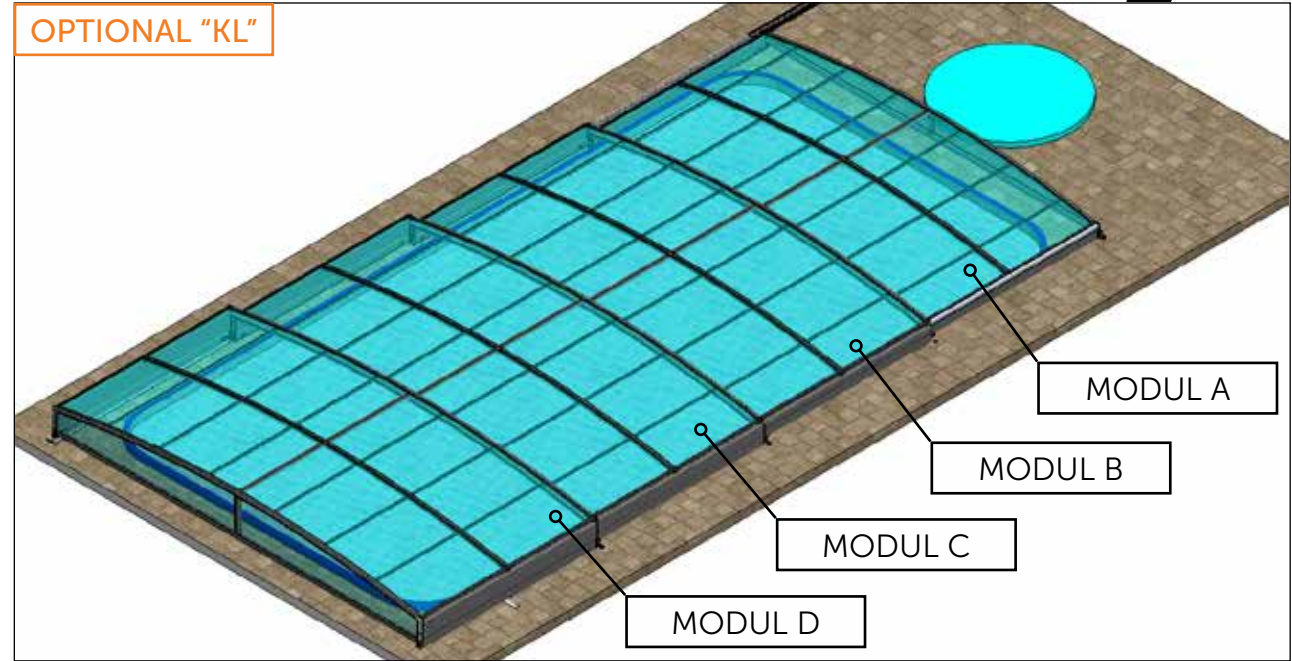


⚠ only SYDNEY CLEAR ⚠

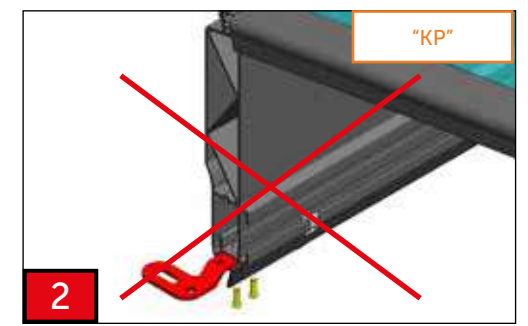
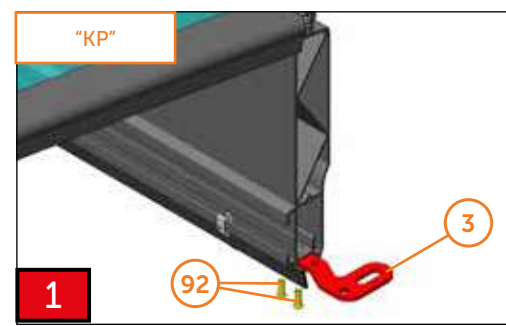
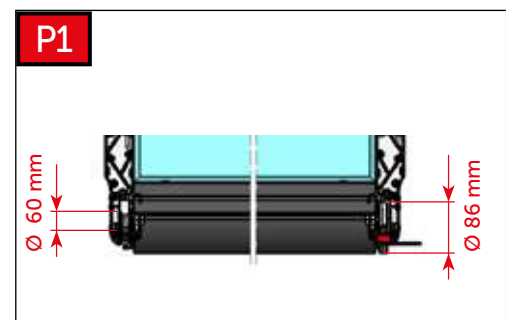
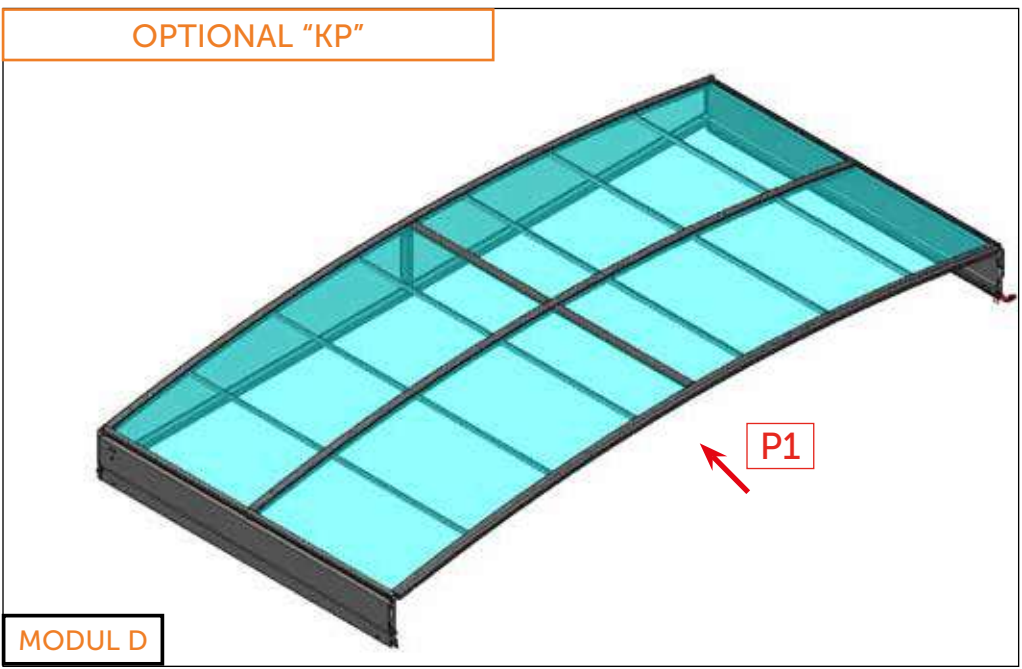
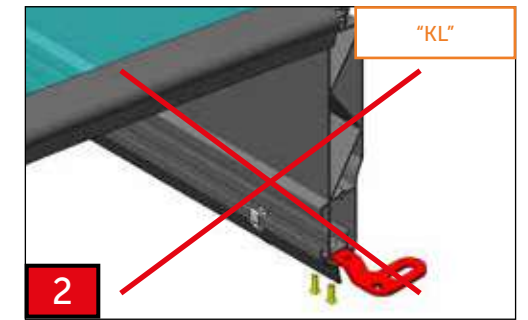
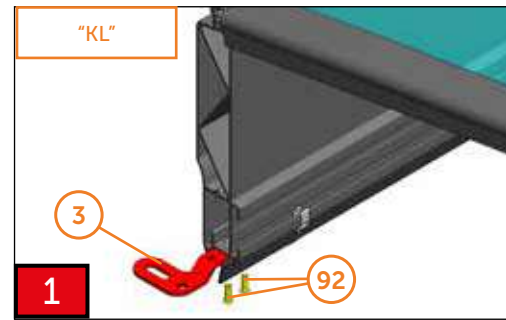
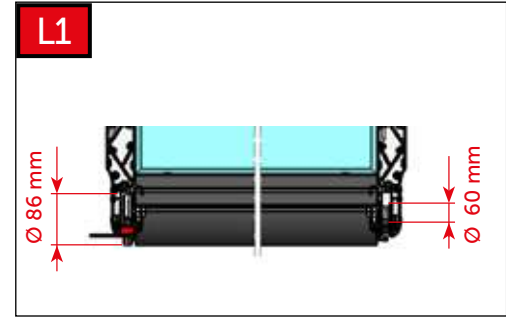
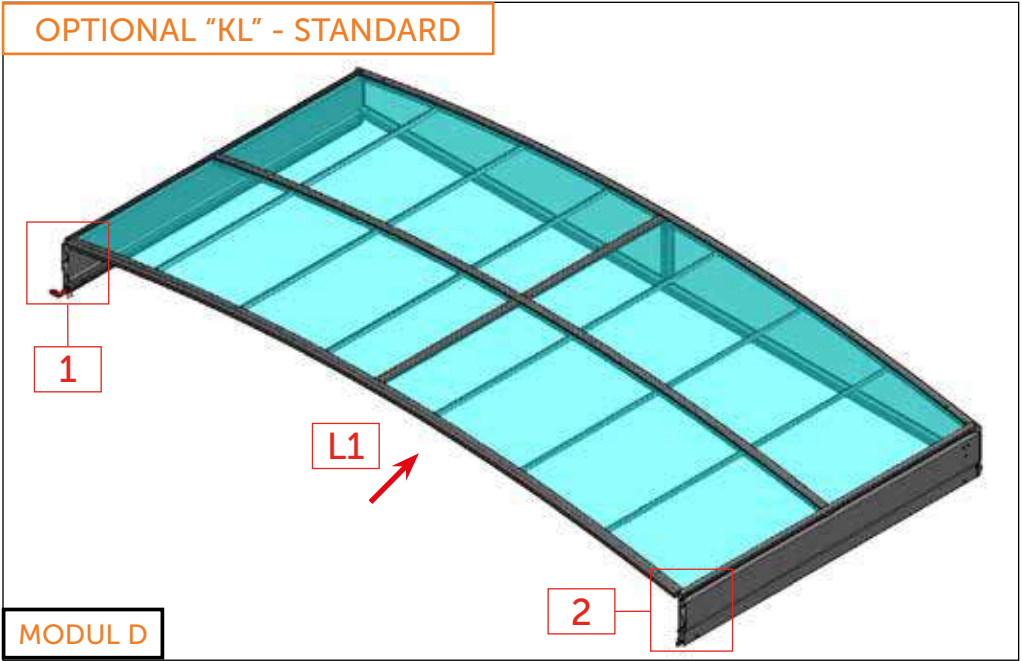


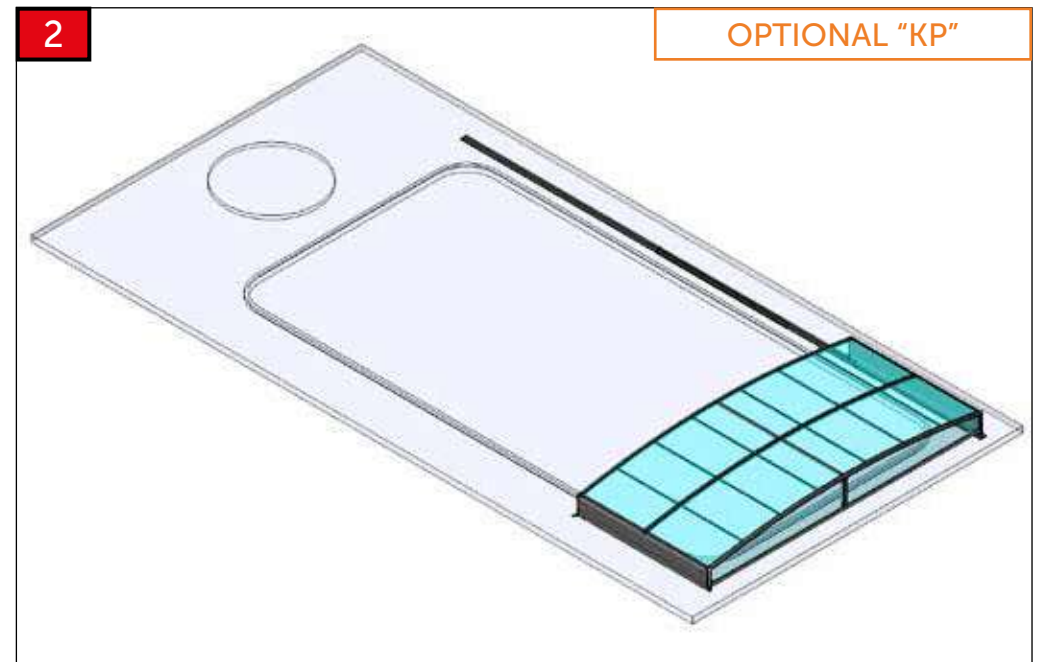
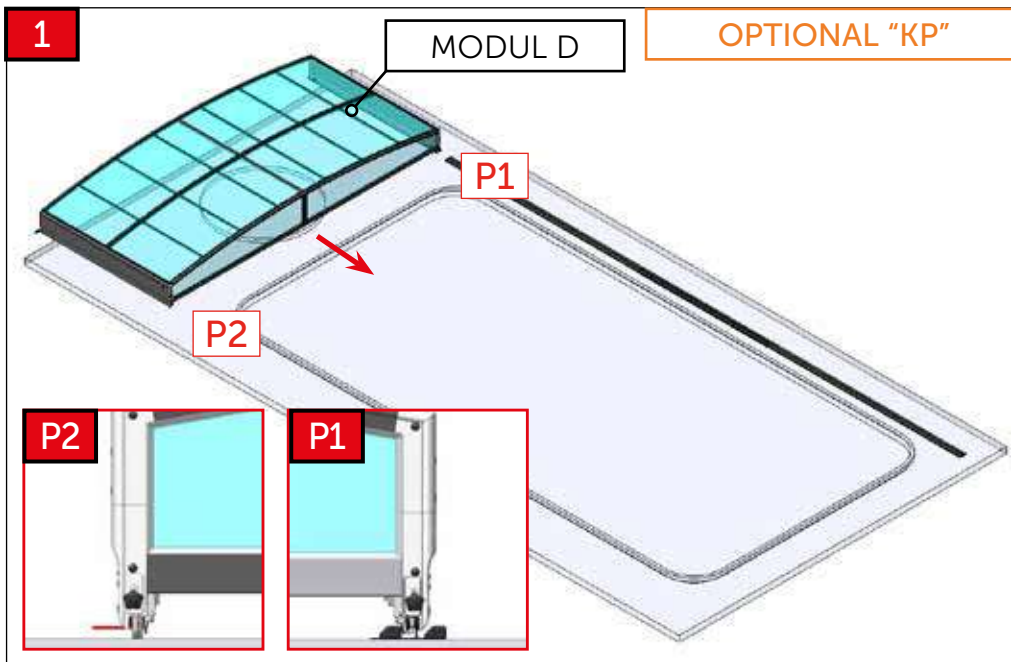
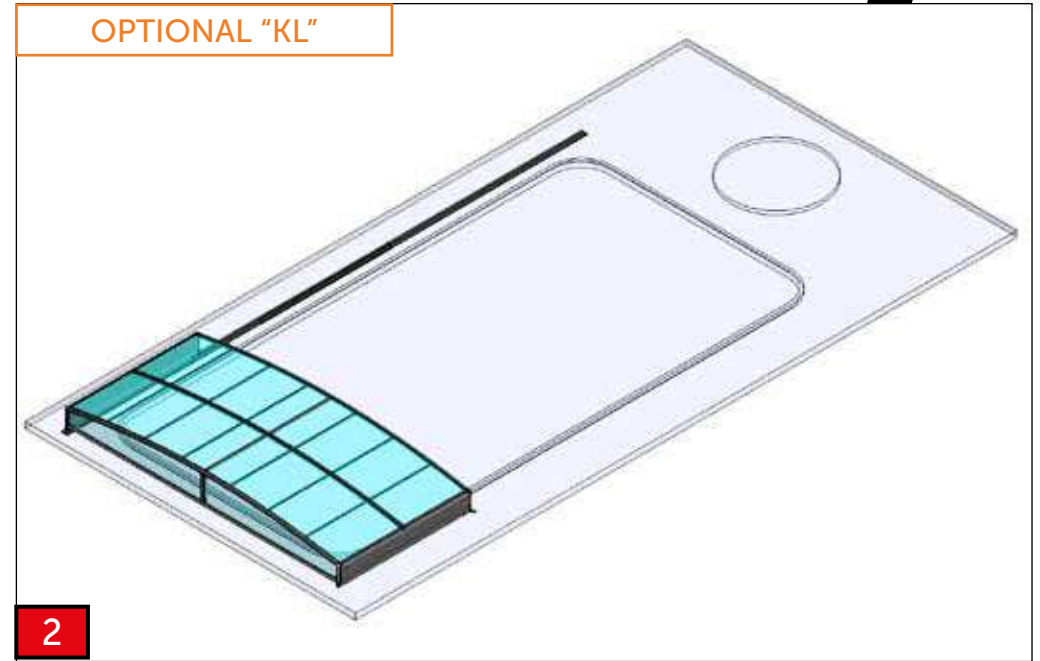
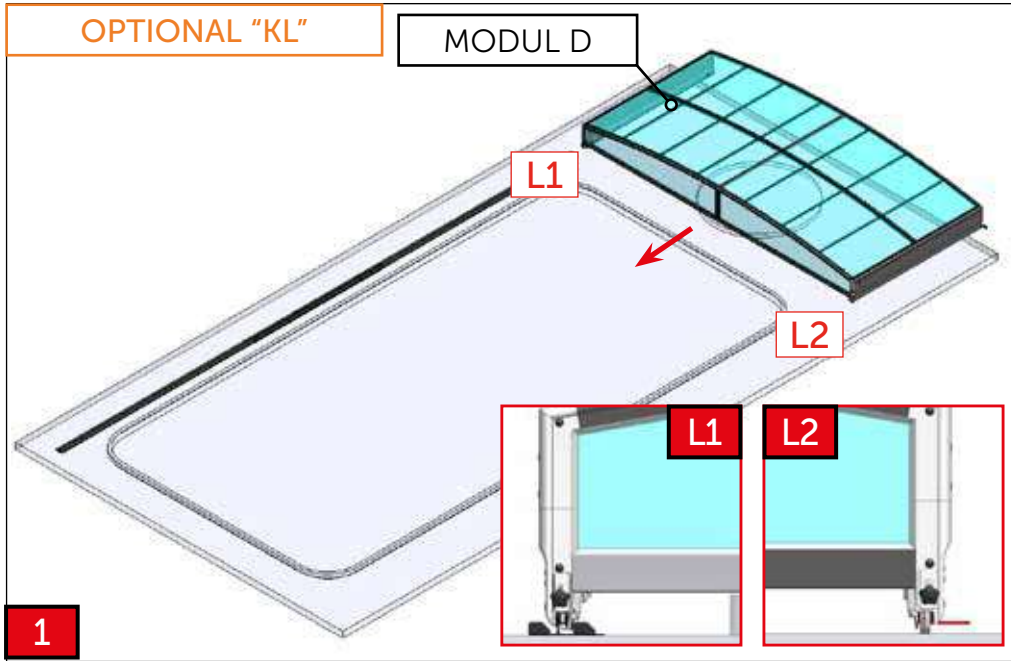
Umístění modulů na bazén
 Placing of modules on the swimming pool
 Lage der Module auf dem Pool
 Emplacement des modules au-dessus de la piscine
 Расположение модулей на бассейне

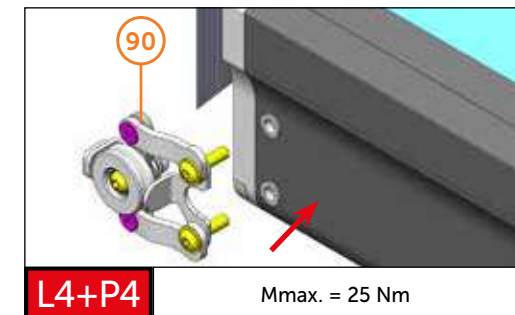
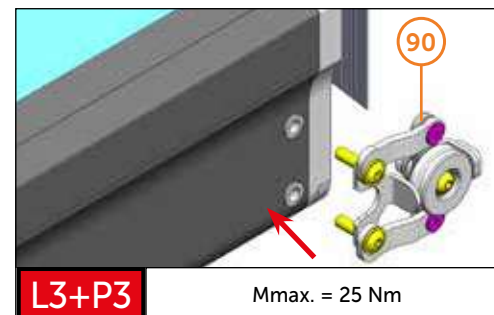
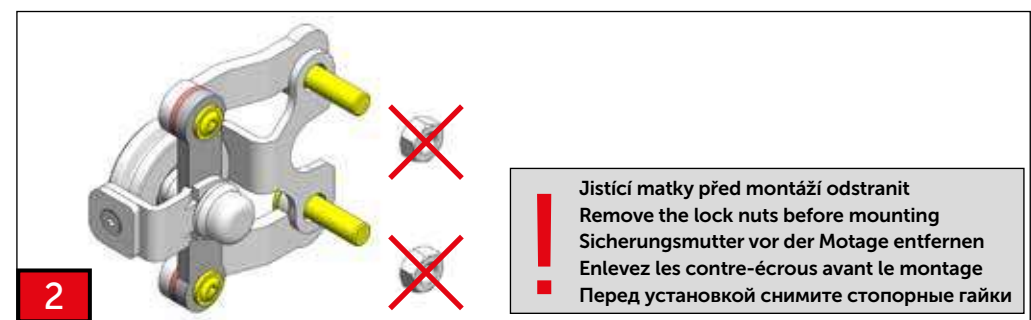
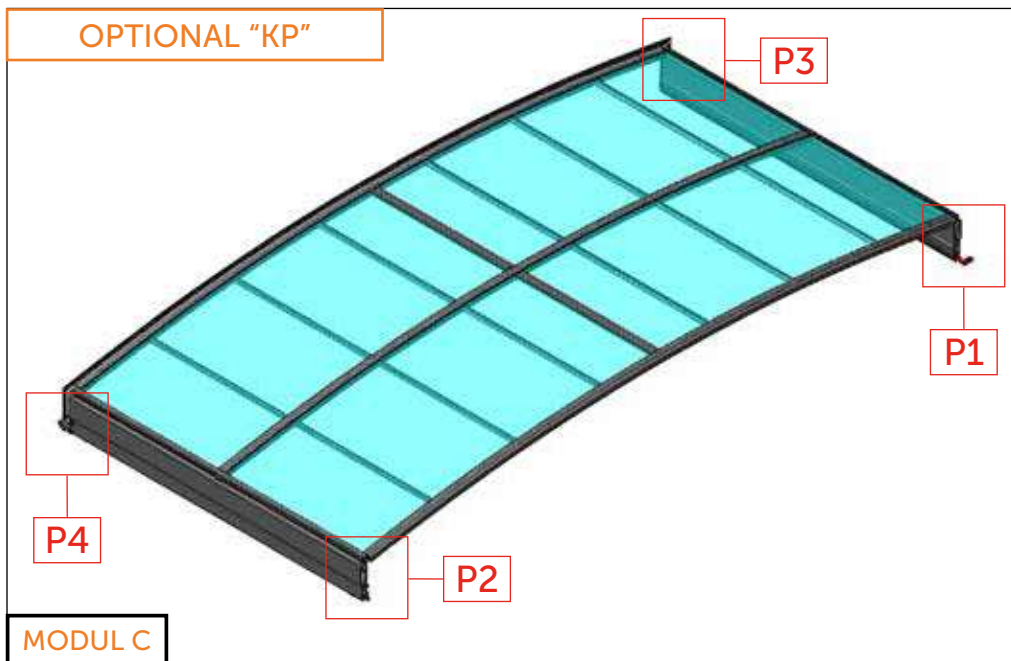
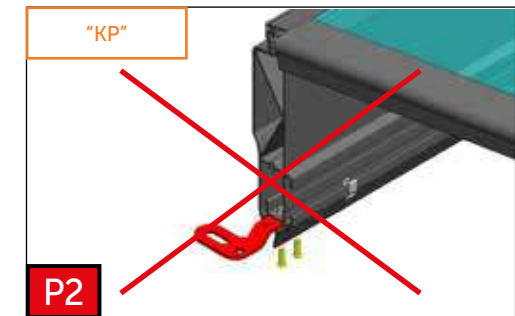
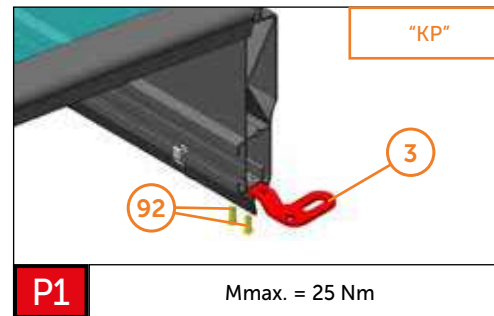
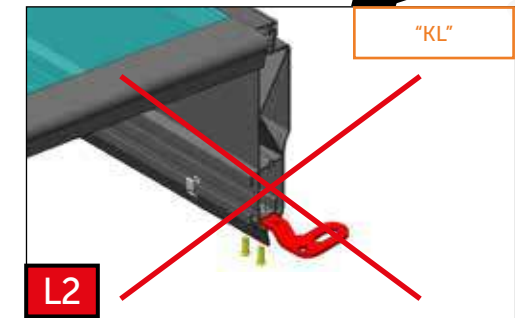
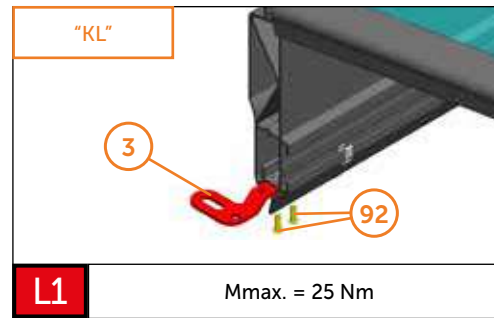
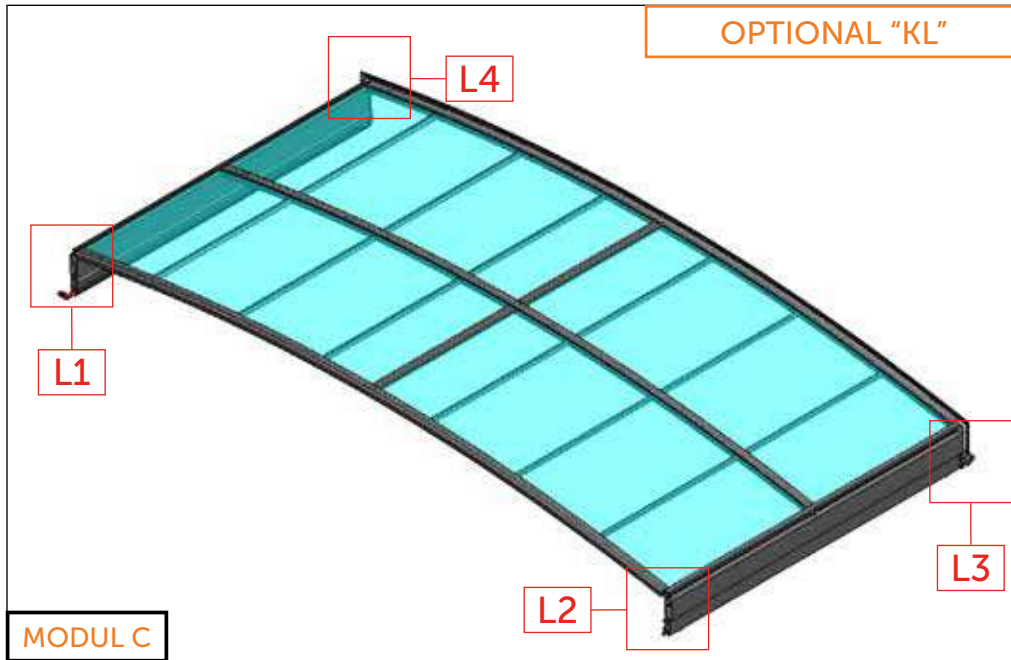
OPTIONAL "KL"

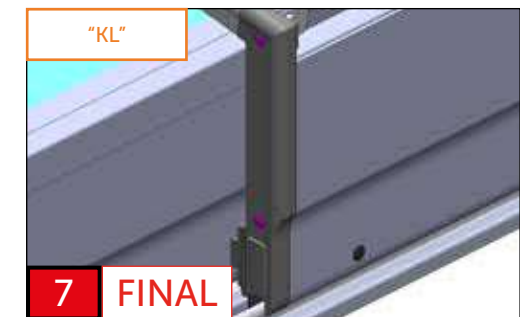
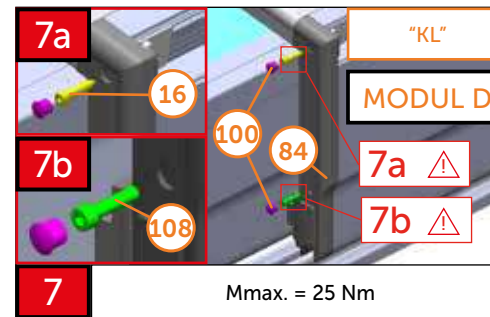
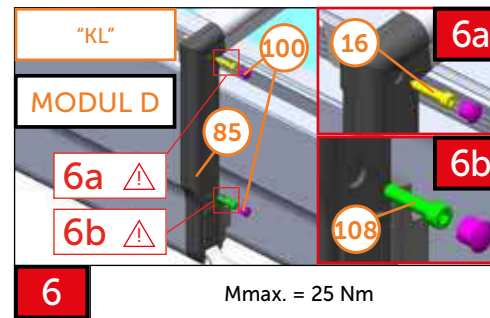
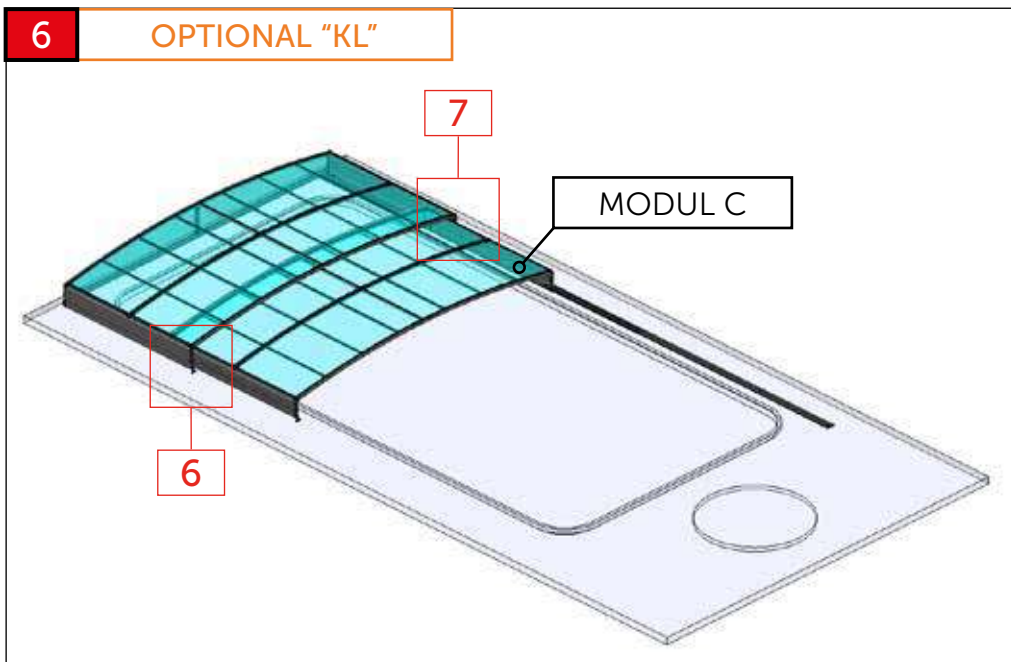
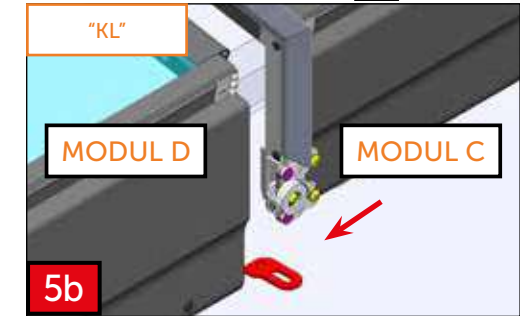
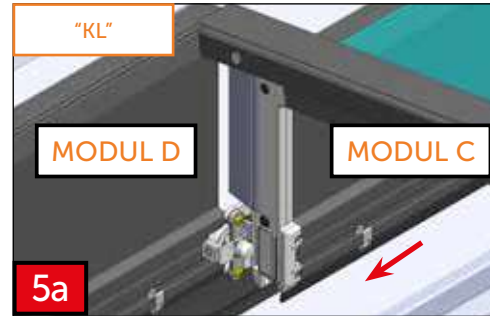
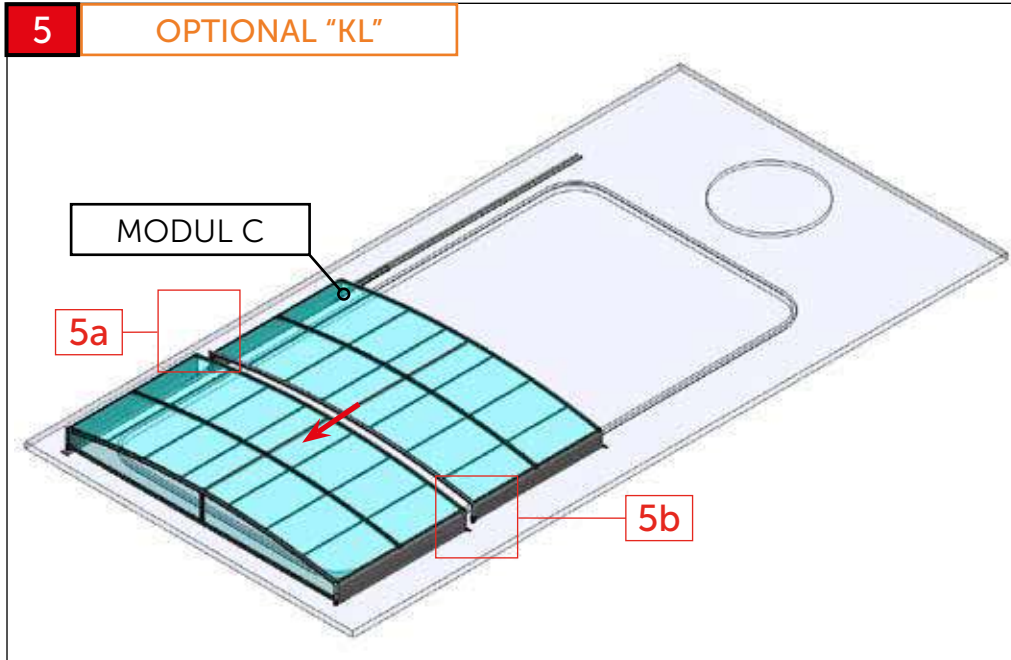


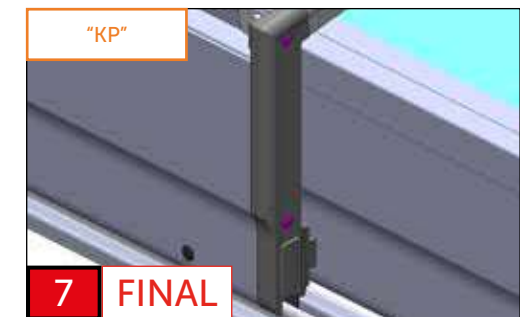
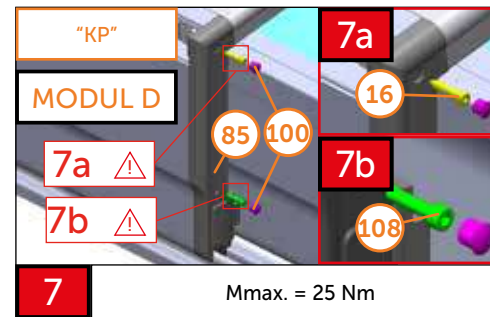
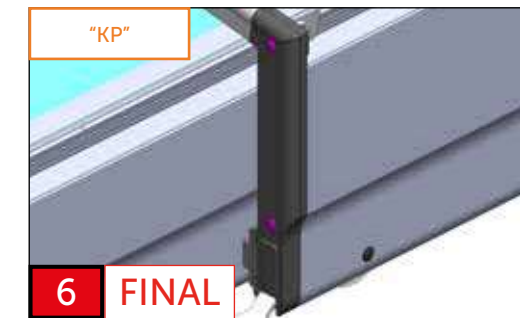
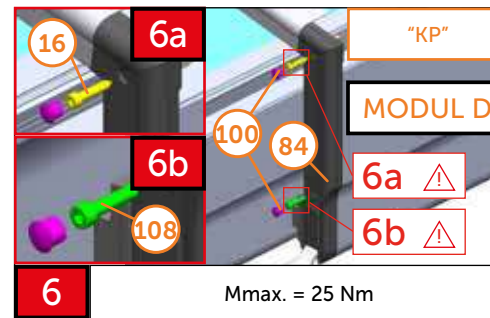
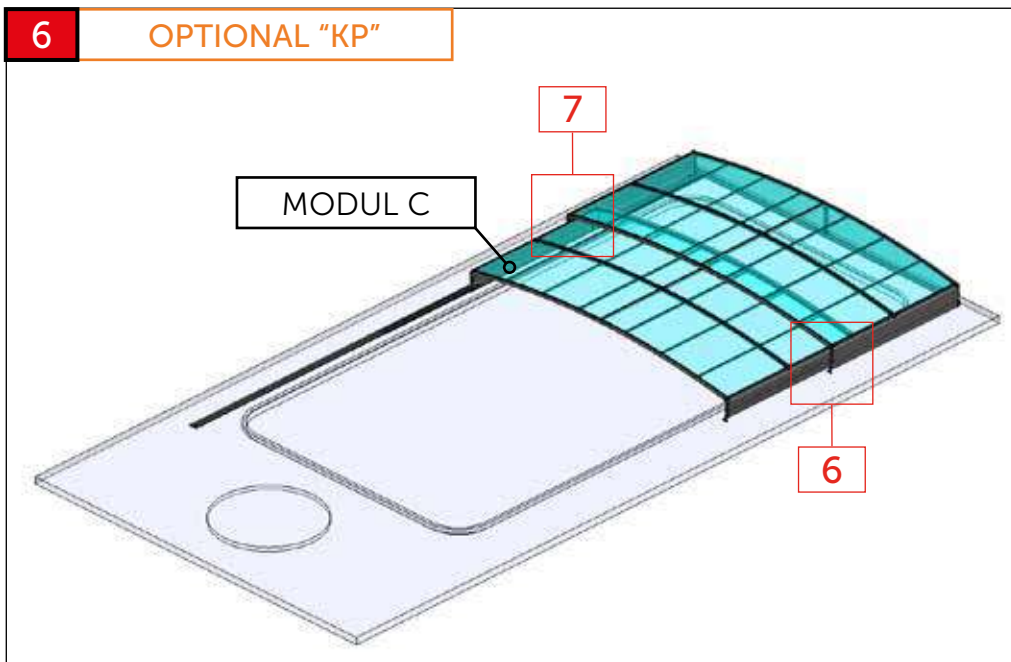
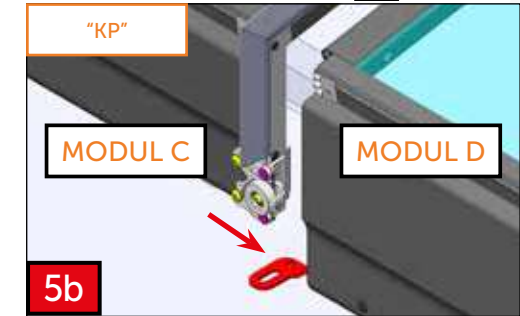
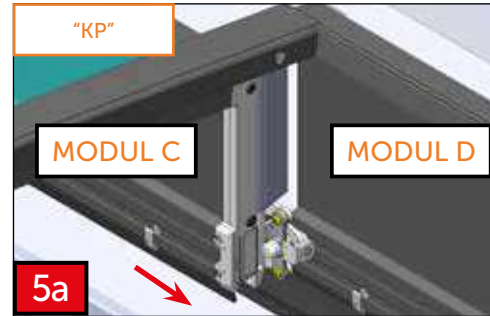
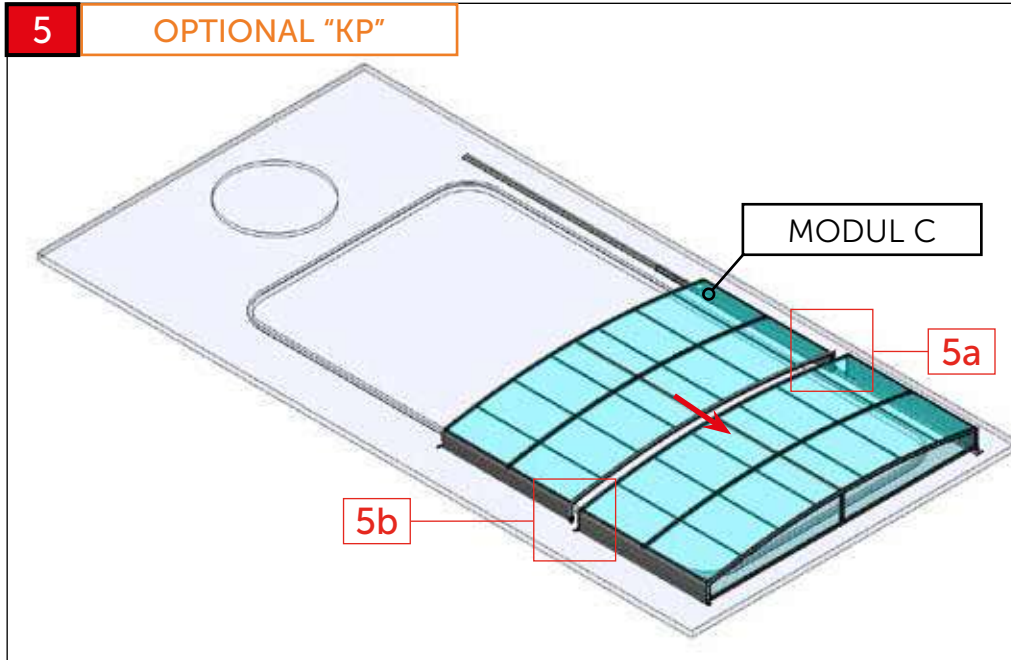
OPTIONAL "KP"

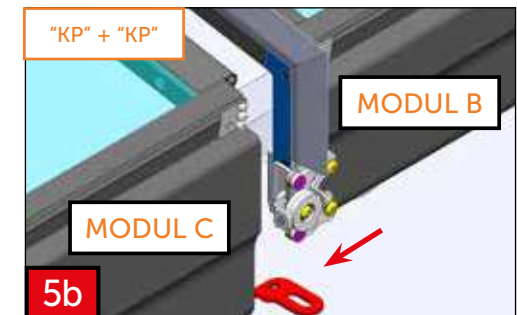
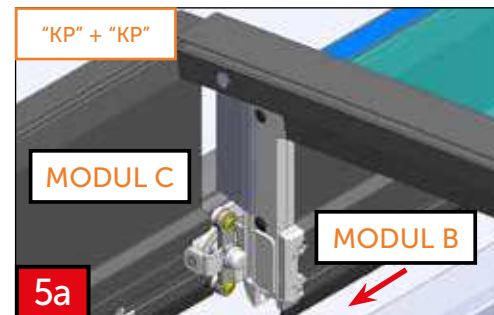
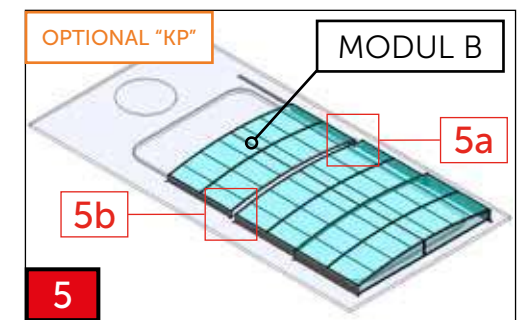
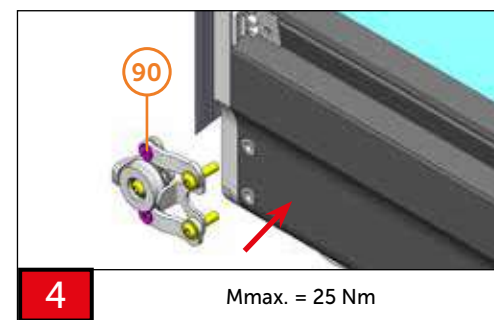
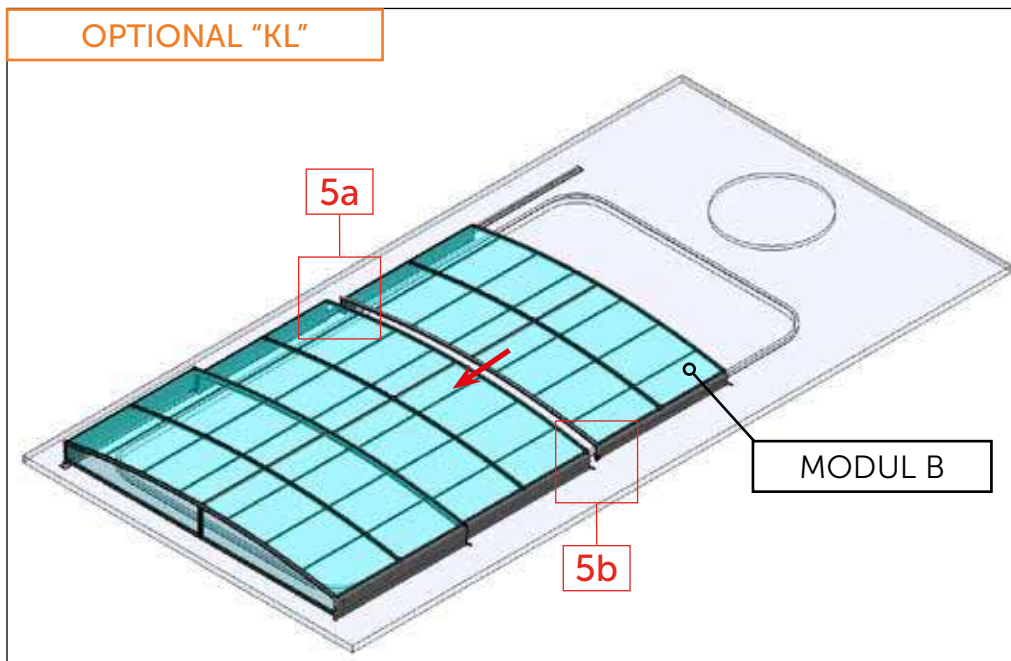
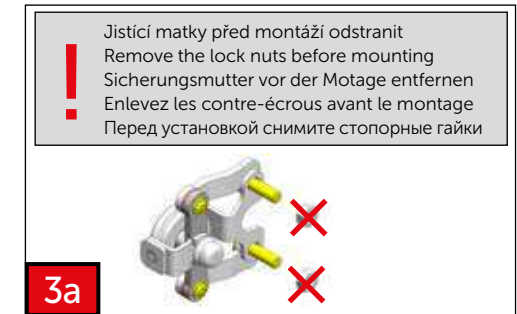
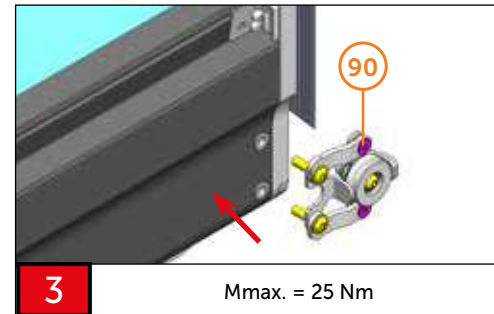
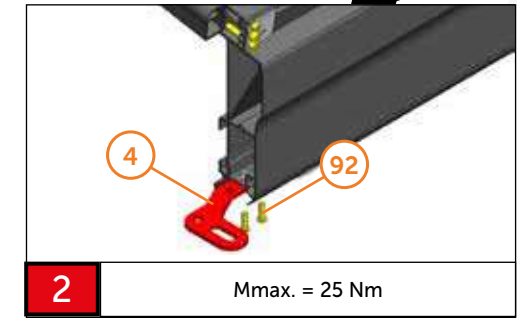
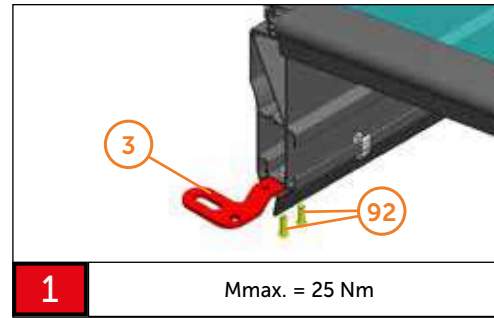
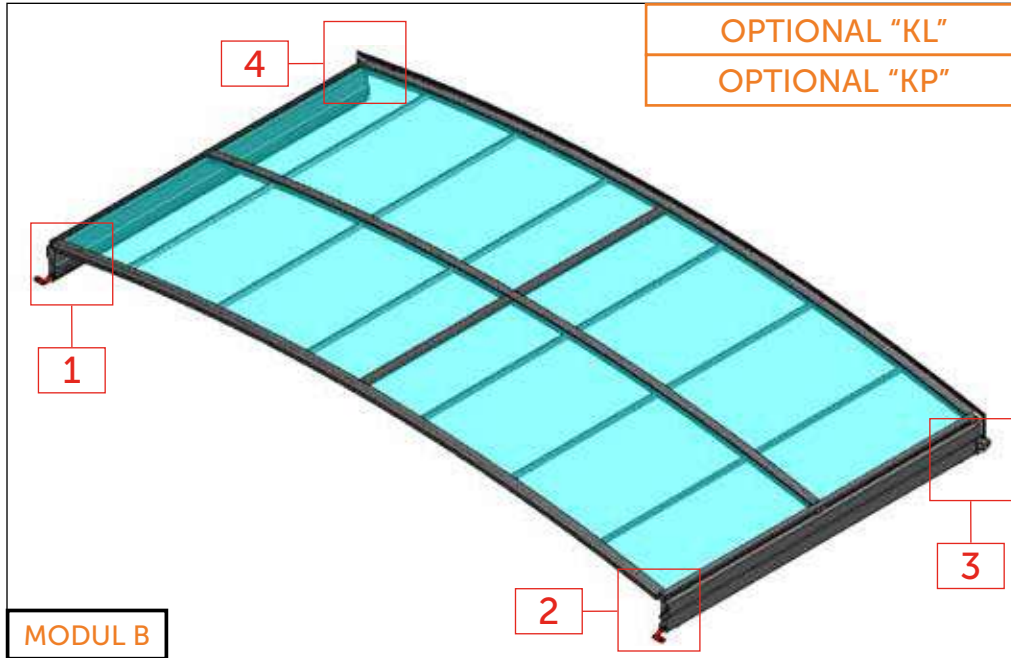


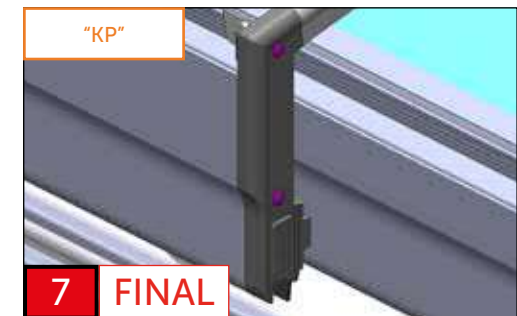
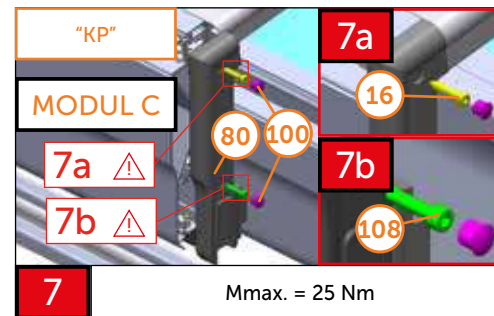
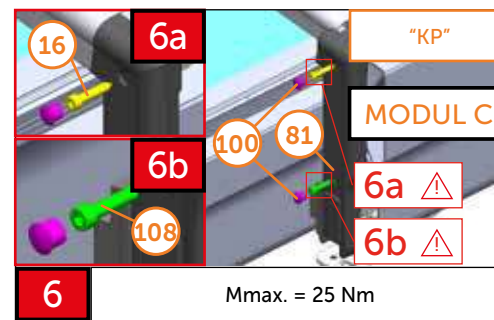
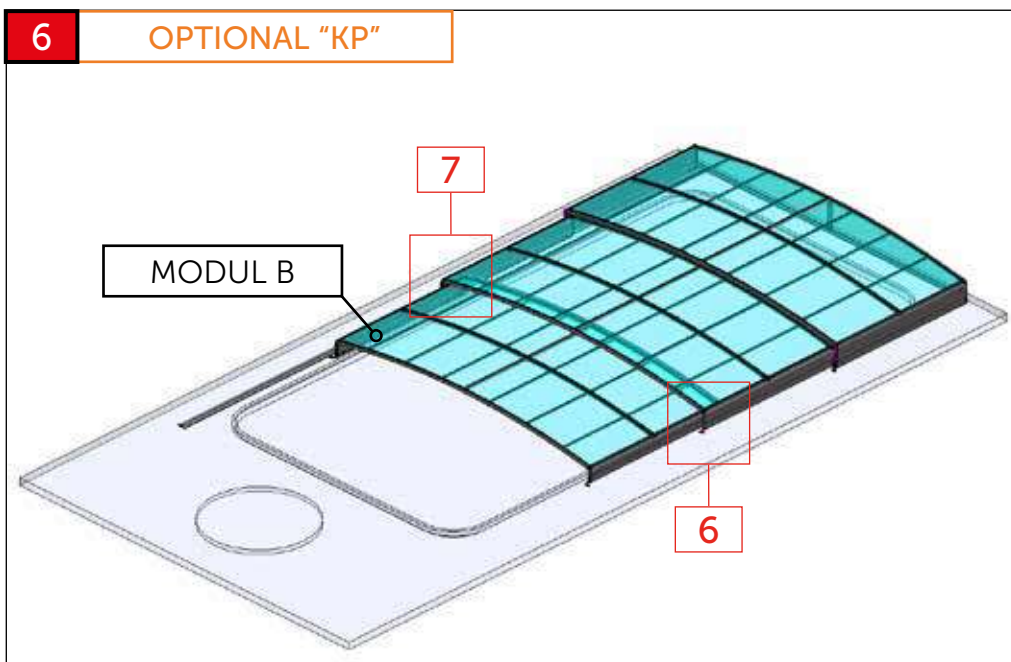
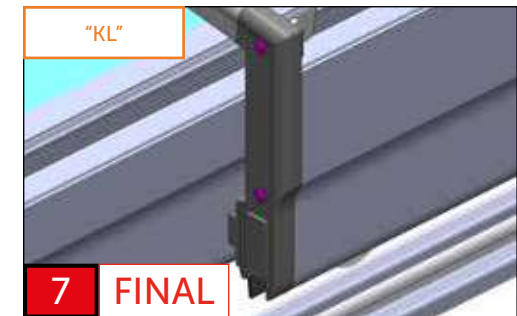
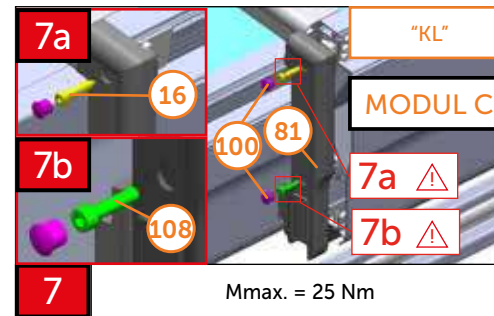
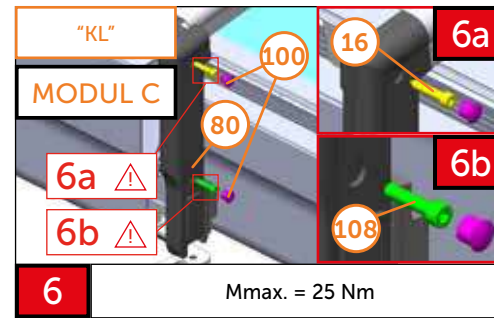
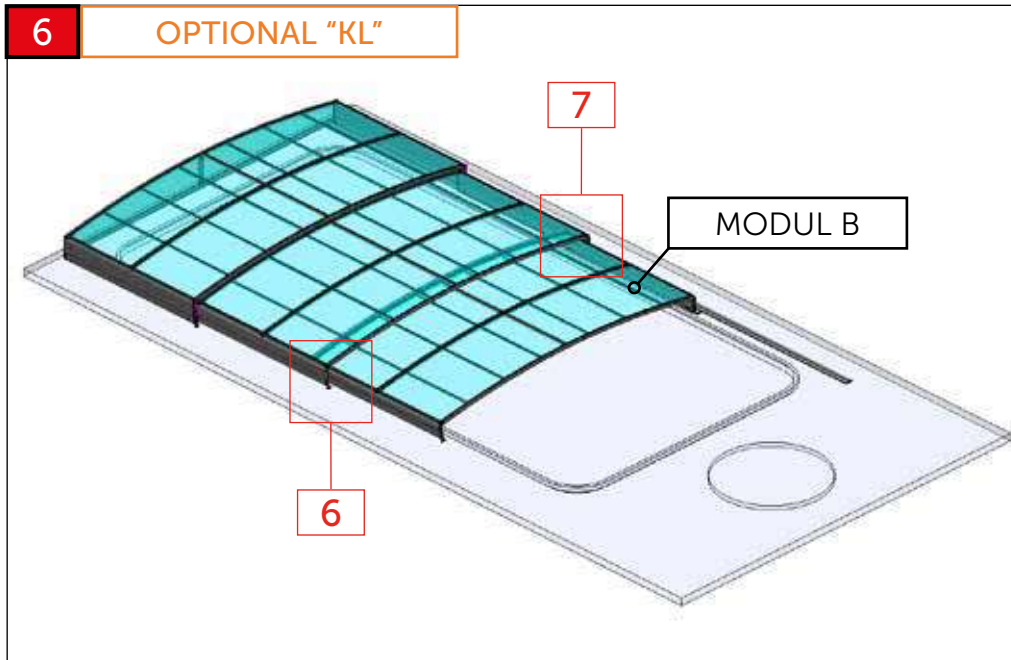


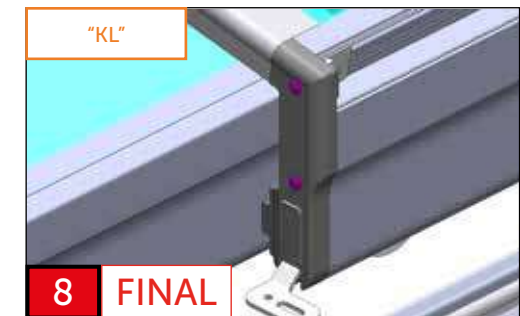
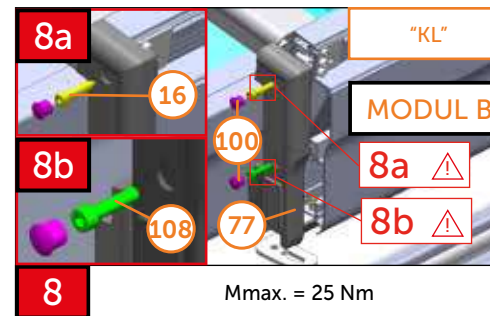
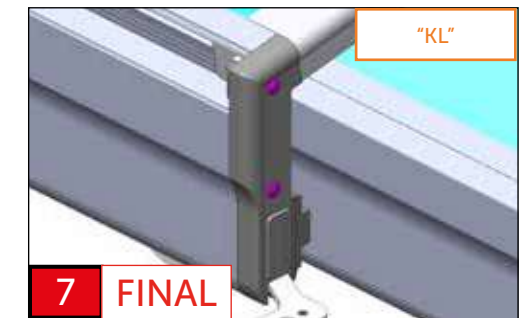
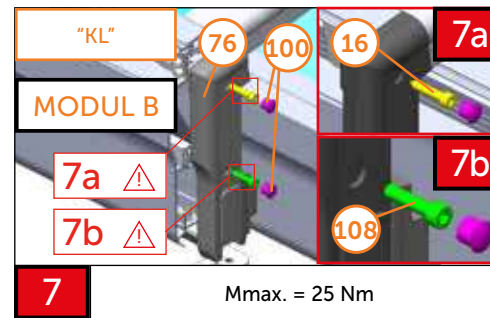
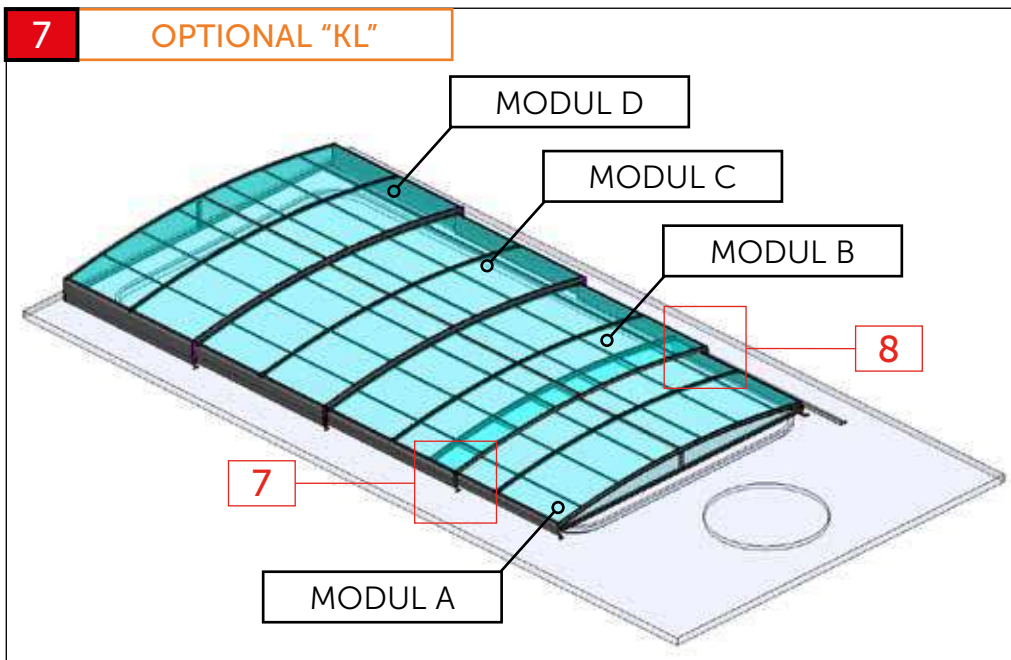
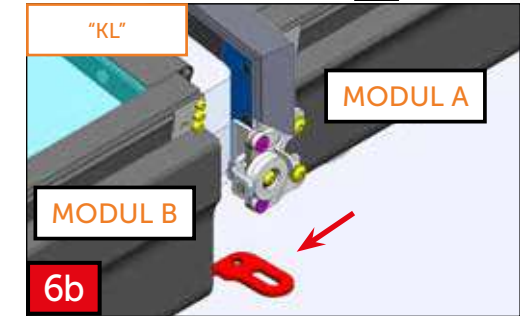
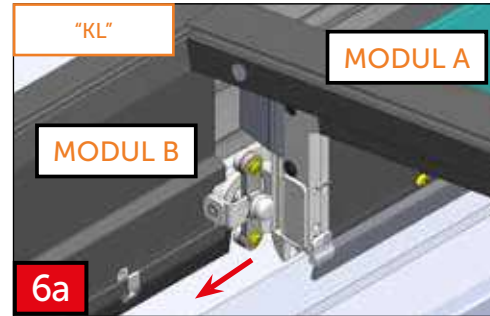
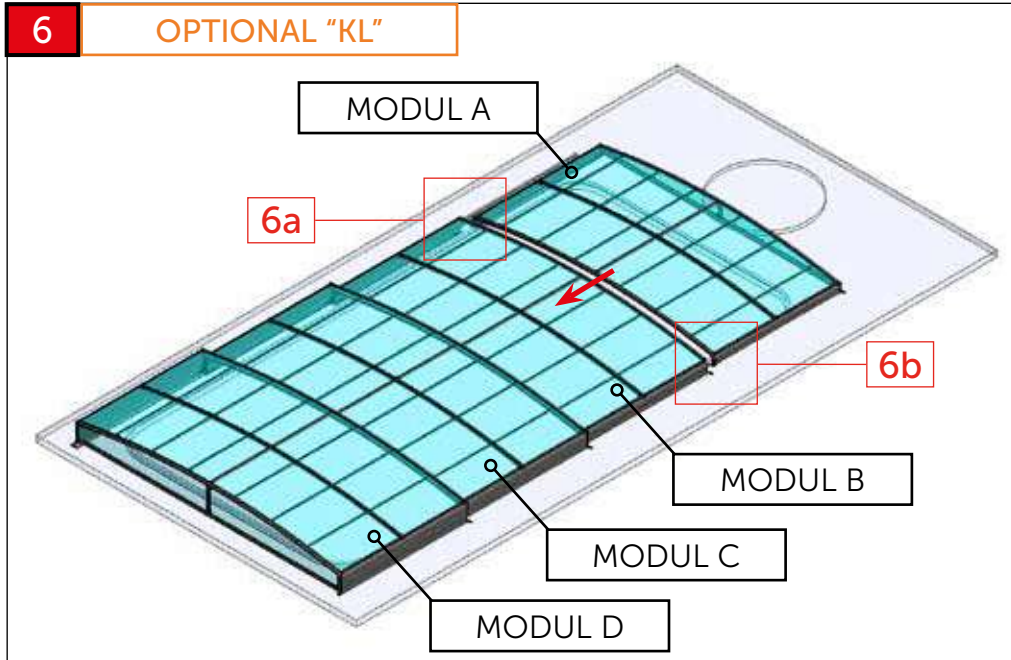


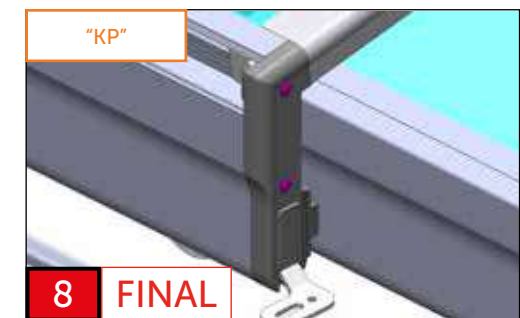
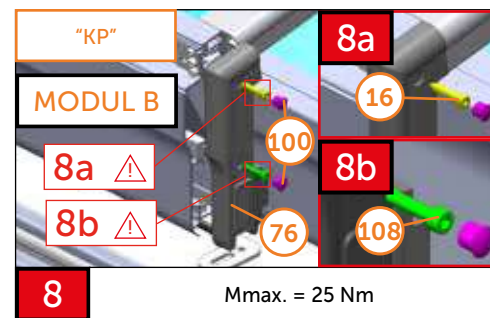
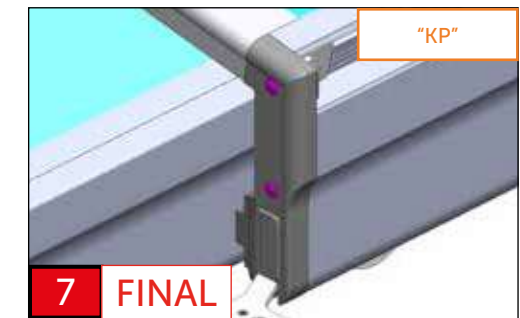
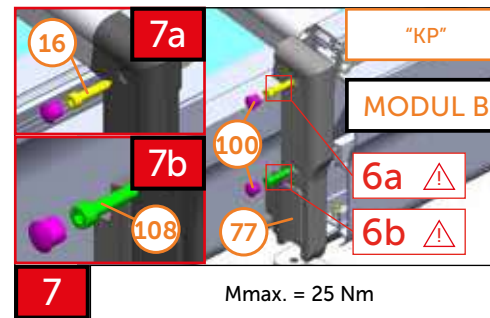
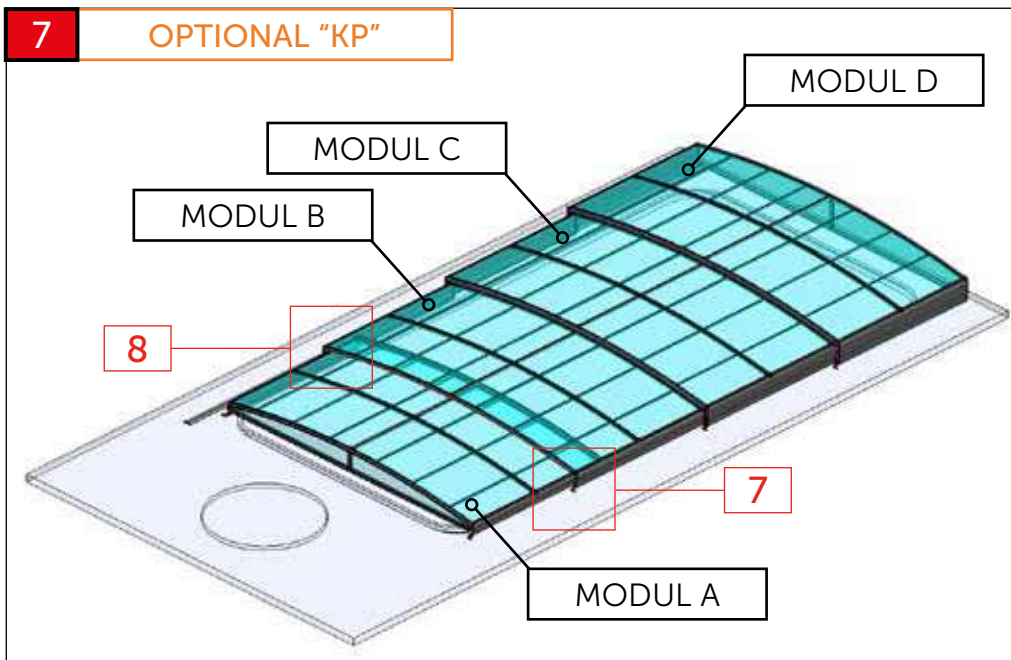
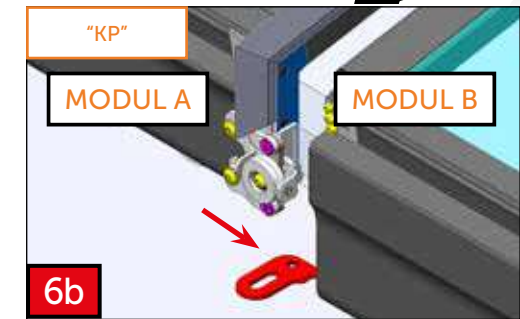
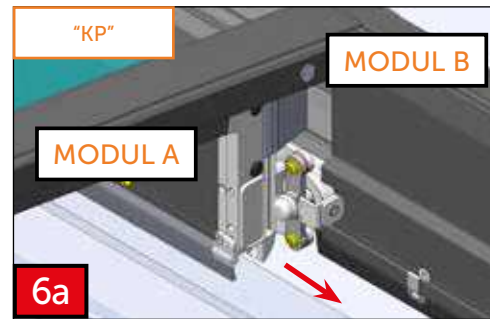
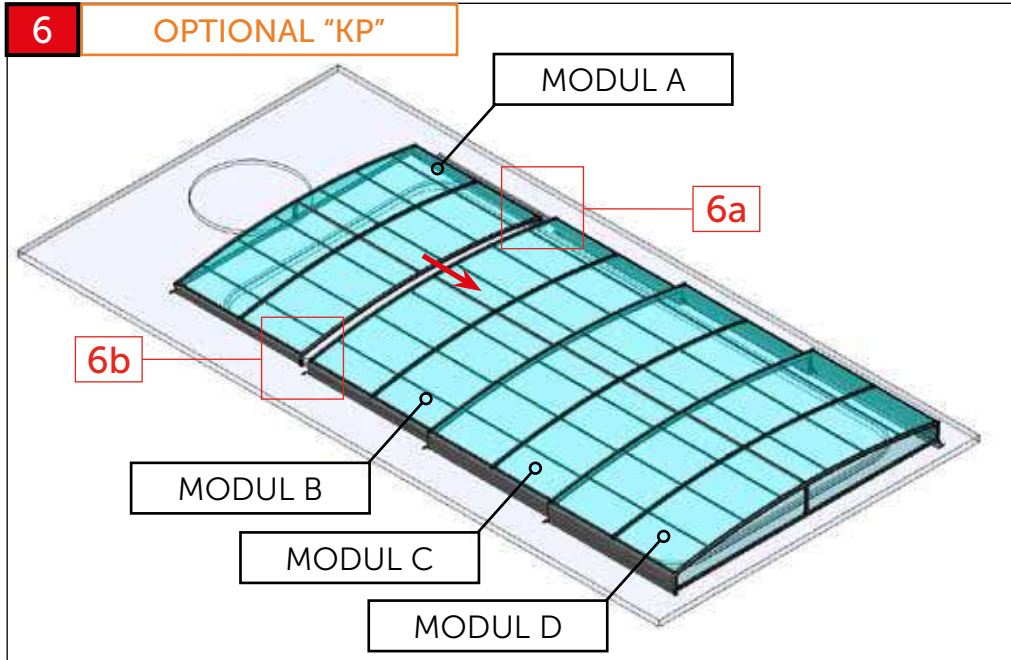


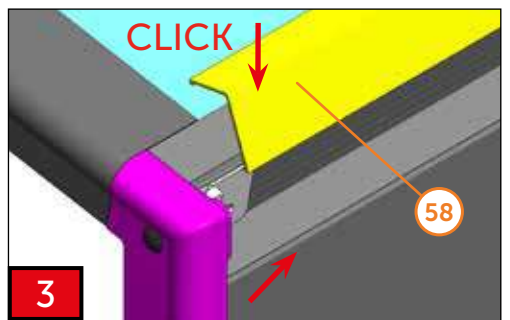
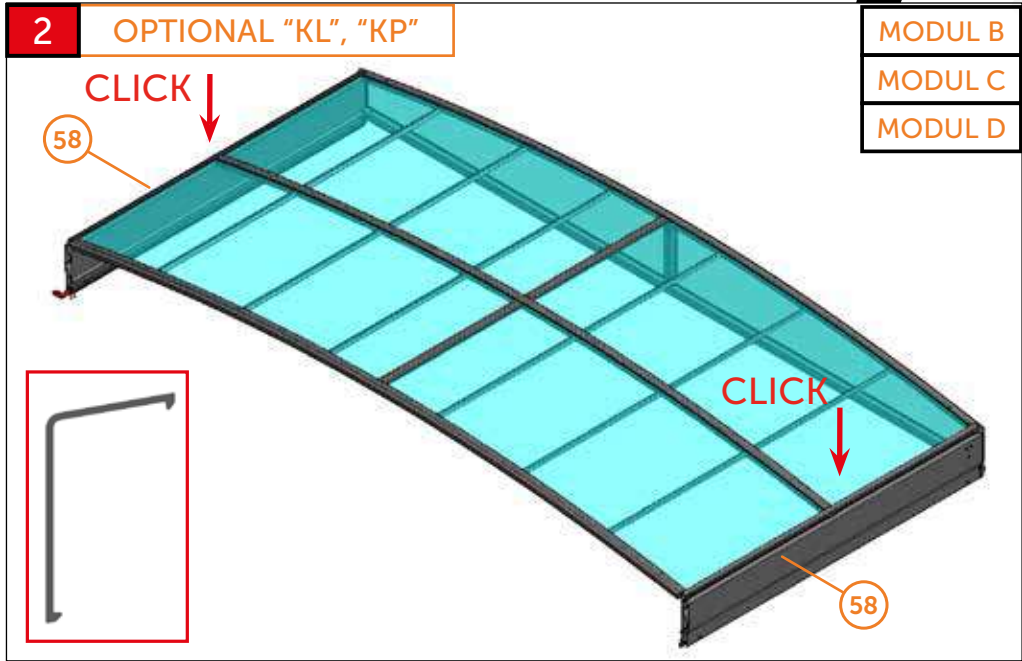
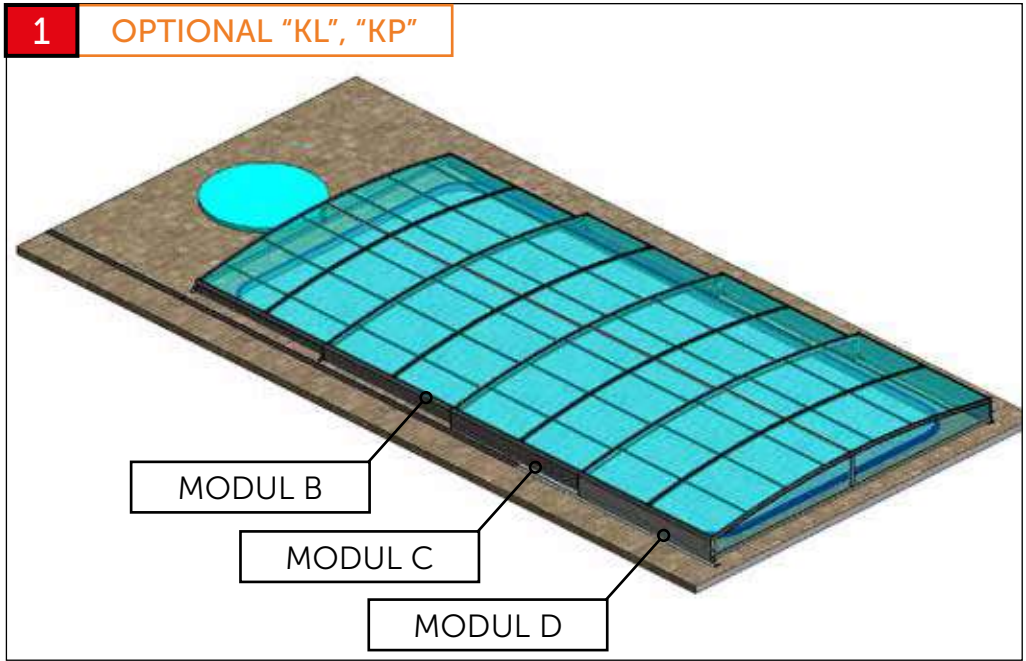


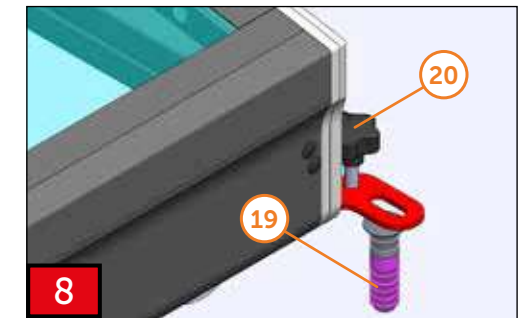
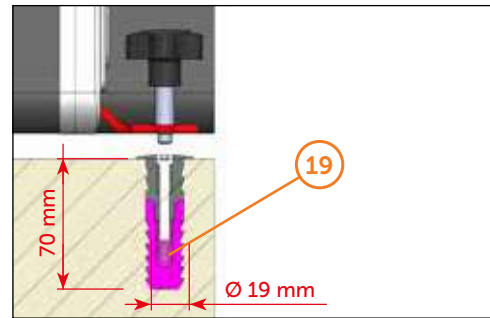
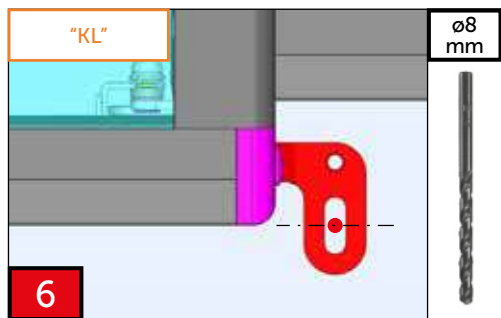
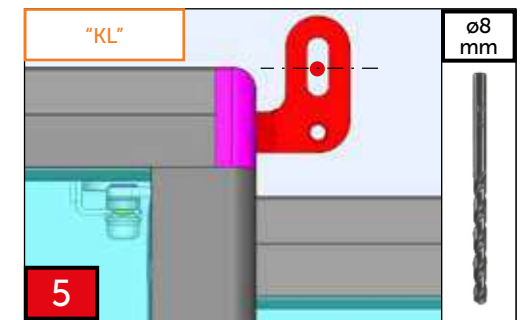
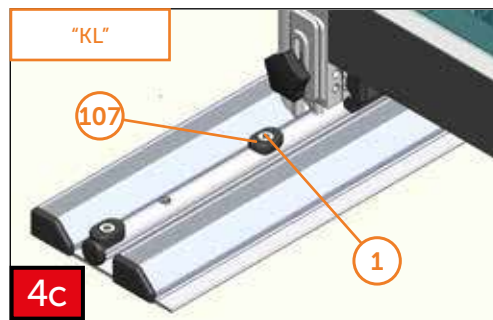
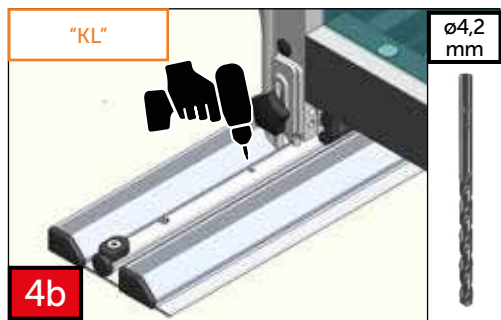
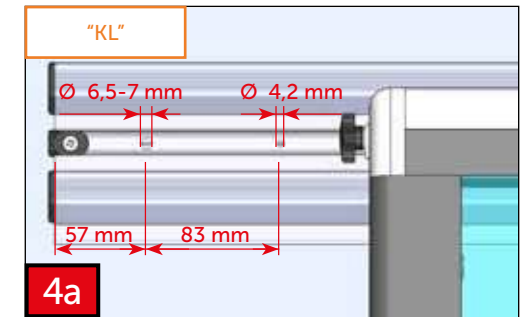
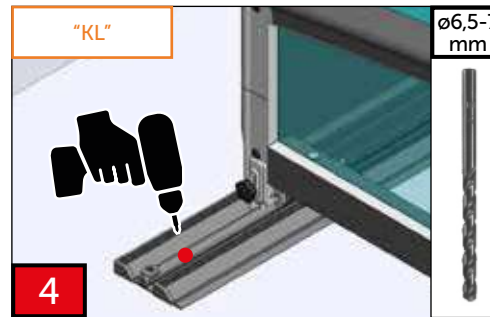
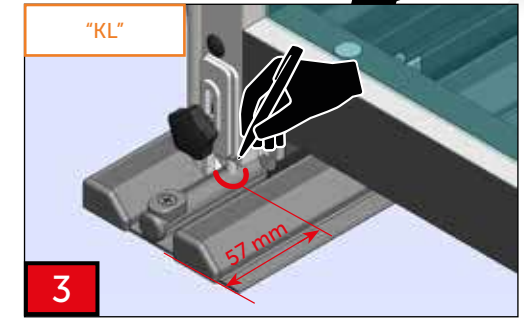
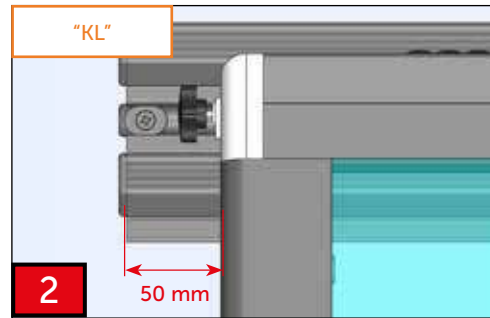
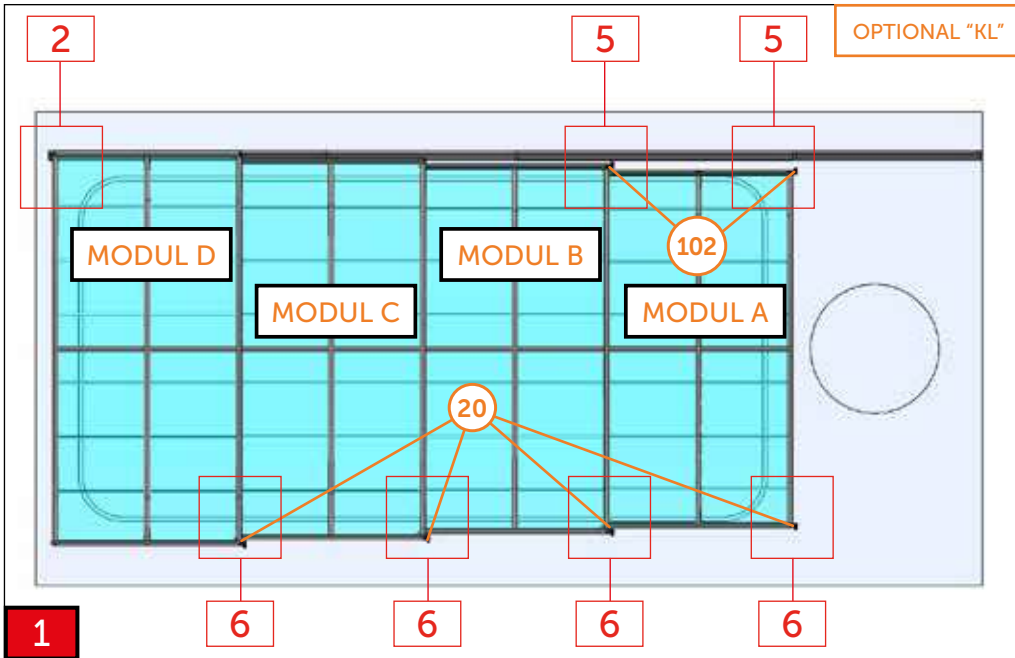






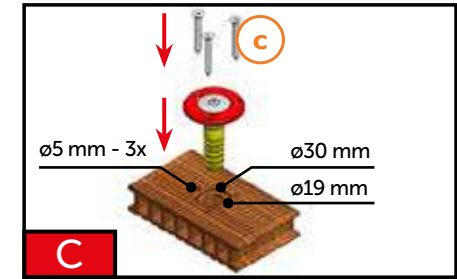
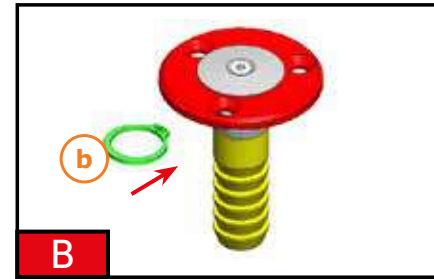
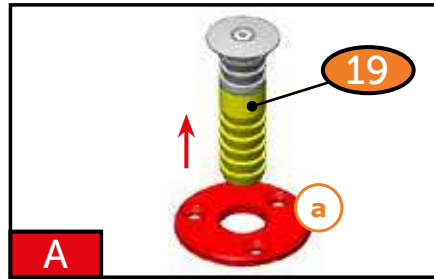








Pouze pro dřevěné a dřevoplastové podlahy
 Only for wooden and wood-plastic floors
 Nur für Holz- und Holz-Kunststoffböden
 Uniquement pour les planchers en bois et en bois-plastique
 Только для деревянных и древесно-пластиковых полов



1 OPTIONAL "KL"

MODUL D
MODUL C
MODUL B
MODUL A

Odjistit modul B,C,D
Unlock the module B,C,D
Modul B,C,D entsperren
Déverrouiller le module B,C,D
Разблокировать модуль B,C,D

2 OPTIONAL "KL"

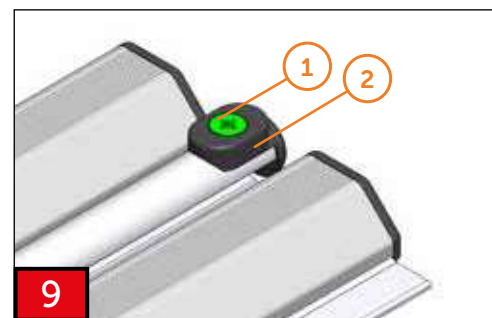
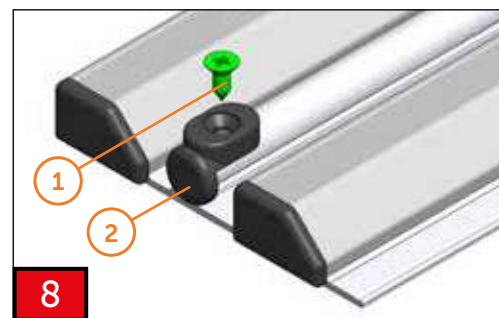
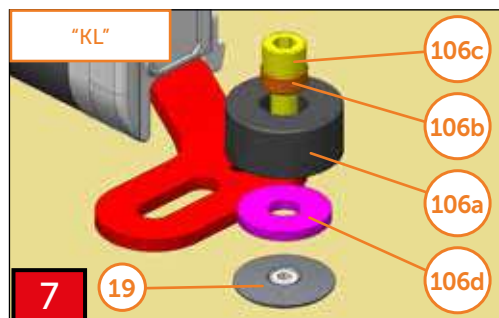
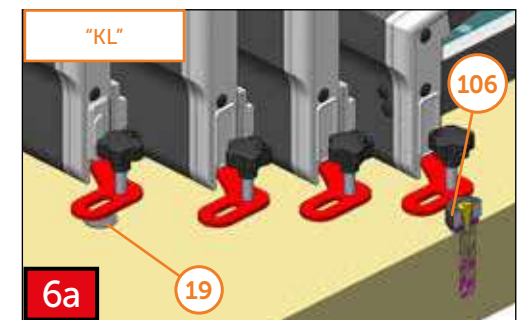
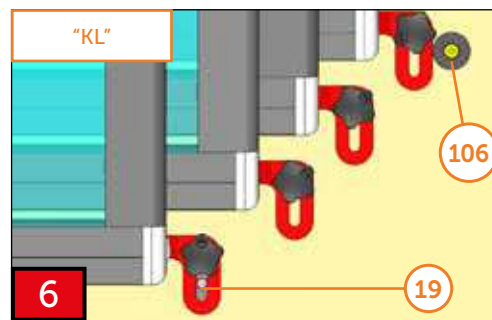
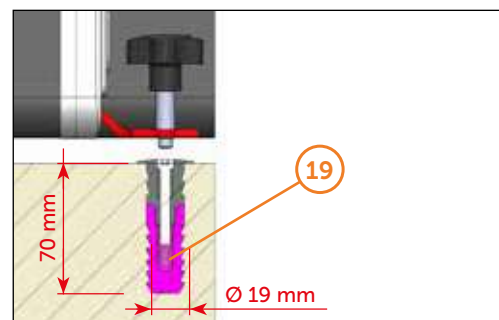
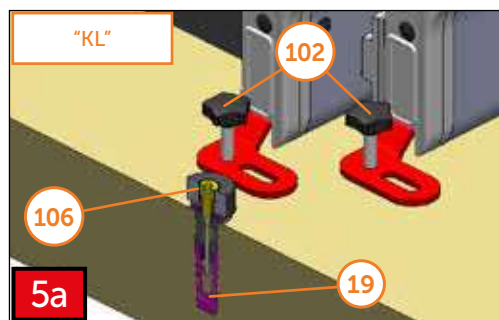
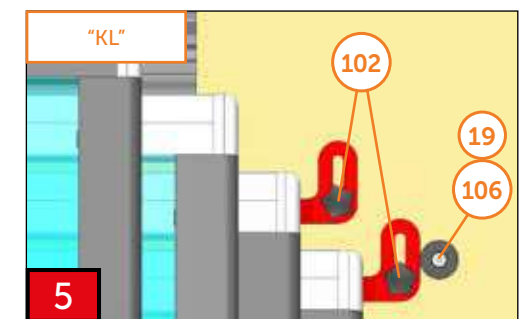
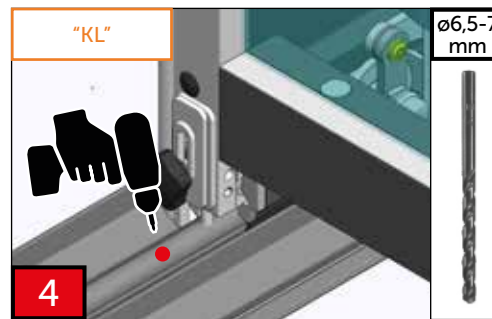
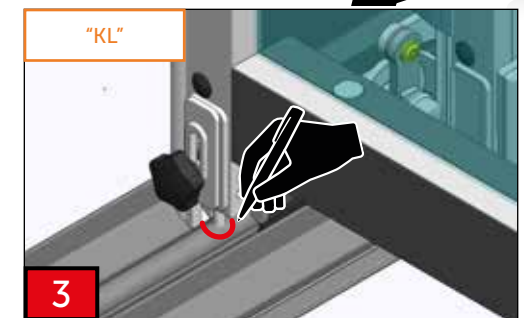
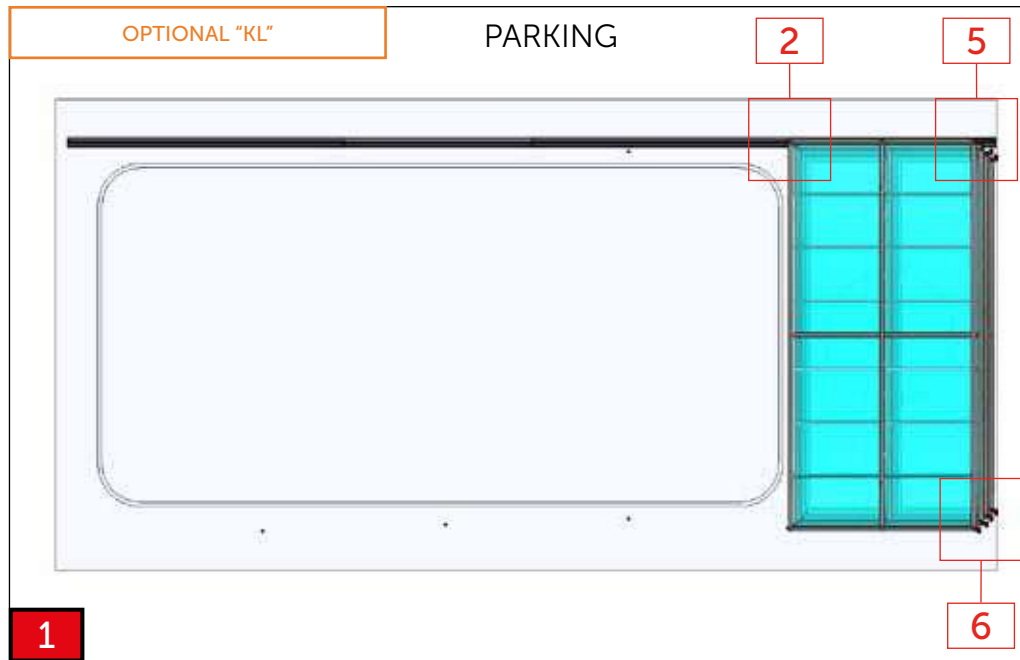
Zajištěný modul A
Locked module A
Modul A gesperrt
Module A verrouillé
Заблокированный модуль A

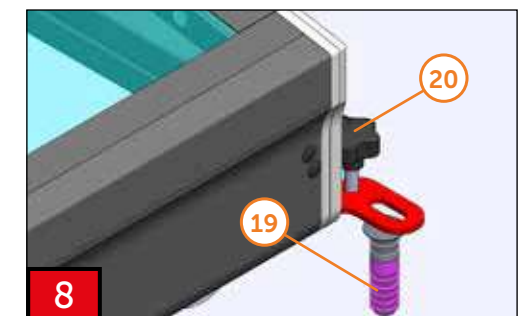
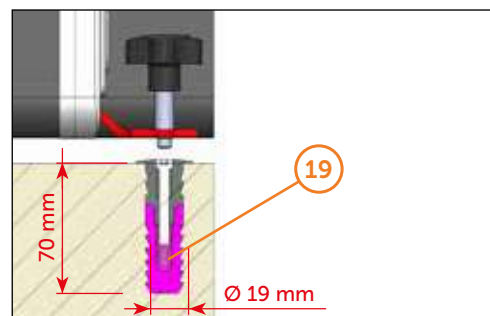
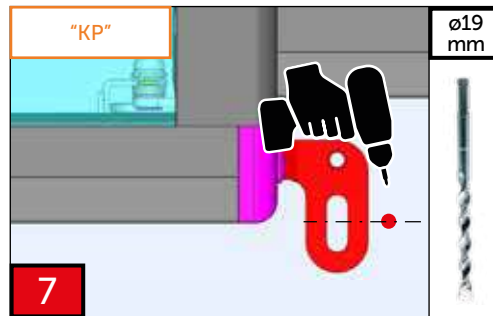
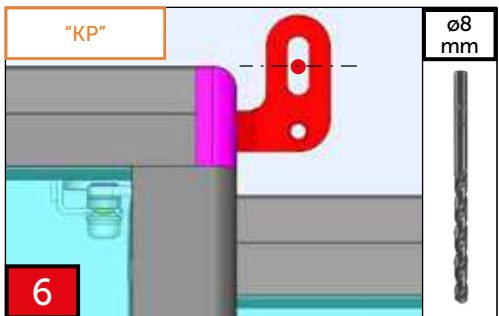
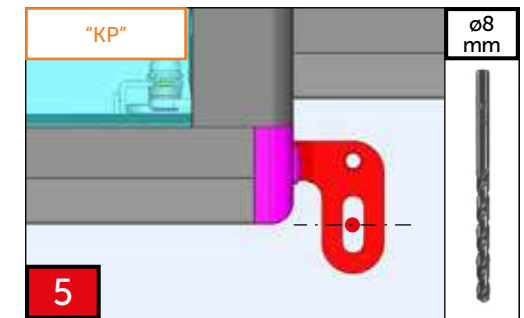
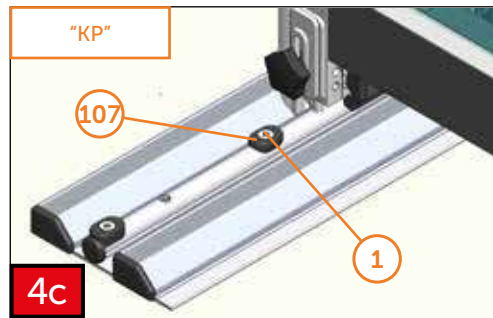
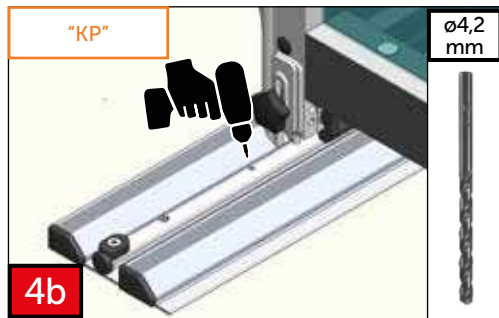
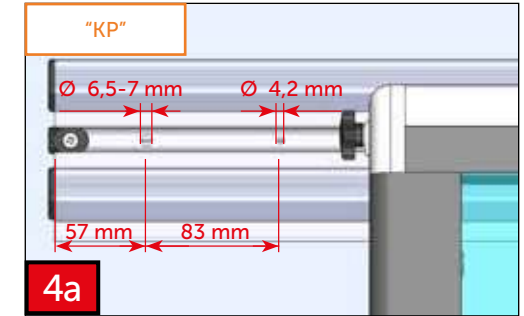
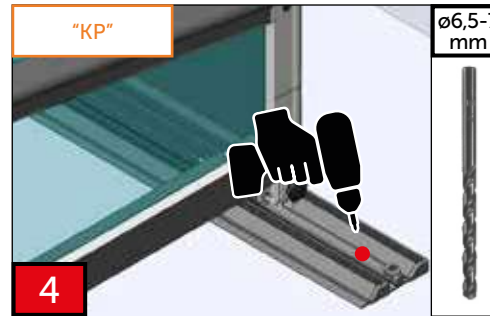
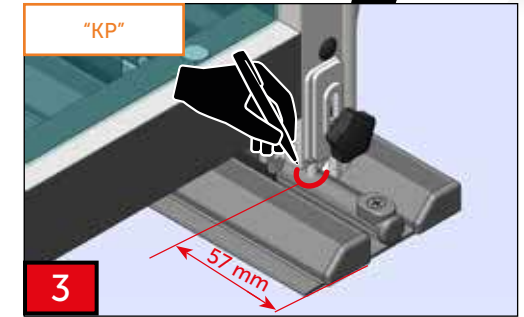
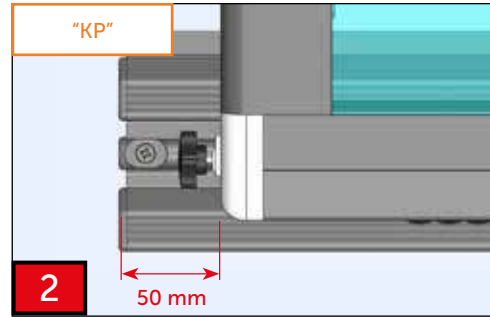
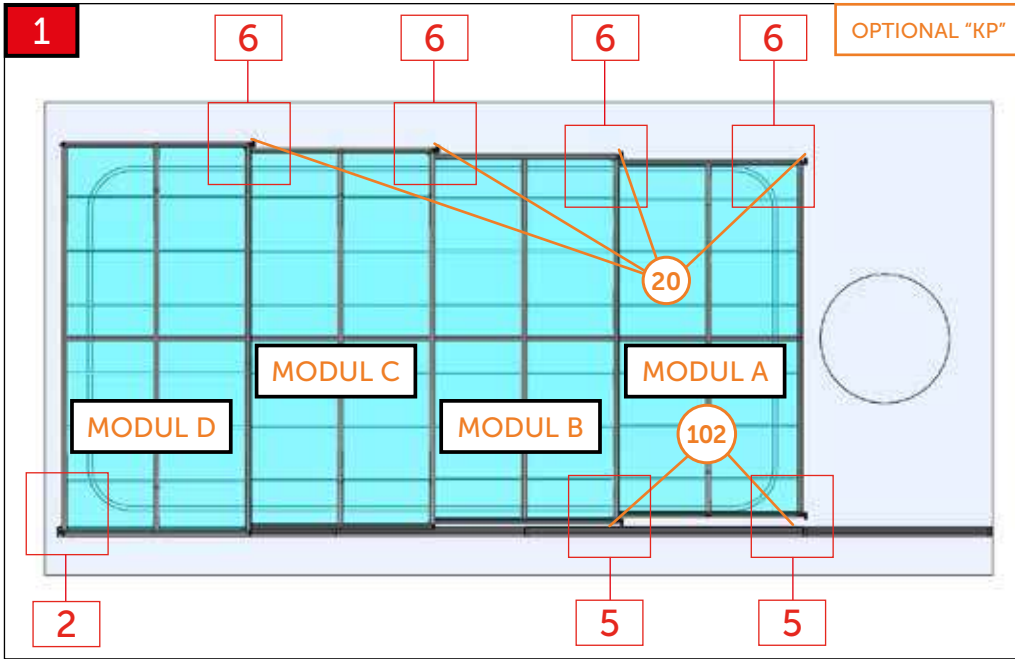
3 OPTIONAL "KL"

Odjistit modul A
Unlock the module A
Modul A entsperren
Déverrouiller le module A
Разблокировать модуль A

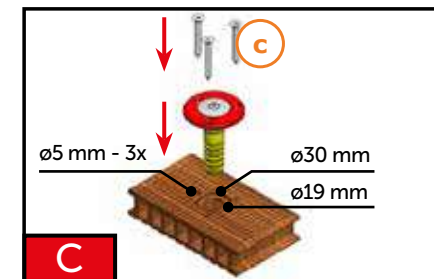
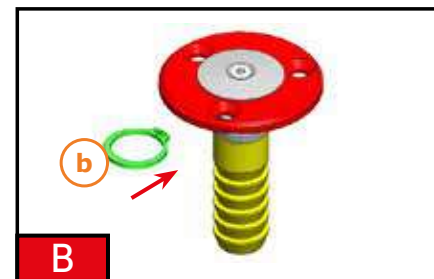
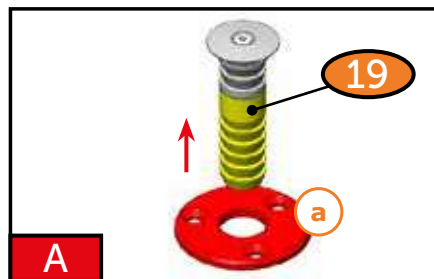
4 PARKING OPTIONAL "KL"

Zajistit modul B,C,D
Lock the module B,C,D
Modul A,B,C,D sperren
Module de verrouillage B,C,D
Блокировать модуль B,C,D





Pouze pro dřevěné a dřevoplastové podlahy
 Only for wooden and wood-plastic floors
 Nur für Holz- und Holz-Kunststoffböden
 Uniquement pour les planchers en bois et en bois-plastique
 Только для деревянных и древесно-пластиковых полов



1 OPTIONAL "KP"

MODUL D
MODUL C
MODUL B
MODUL A

Odjistit modul B,C,D
Unlock the module B,C,D
Modul B,C,D entsperren
Déverrouiller le module B,C,D
Разблокировать модуль B,C,D

2 OPTIONAL "KP"

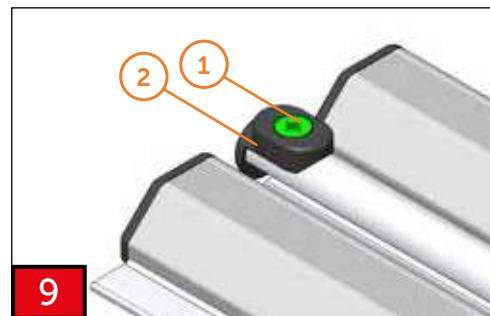
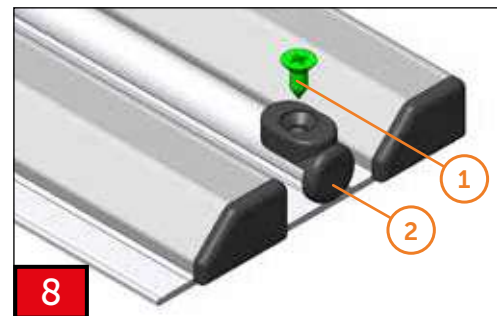
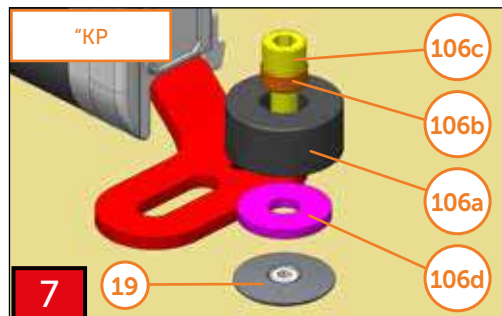
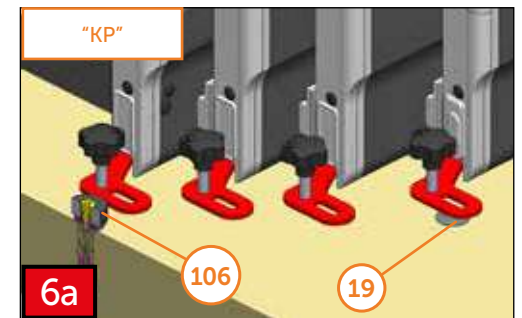
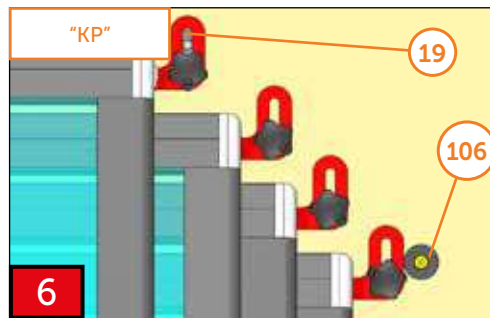
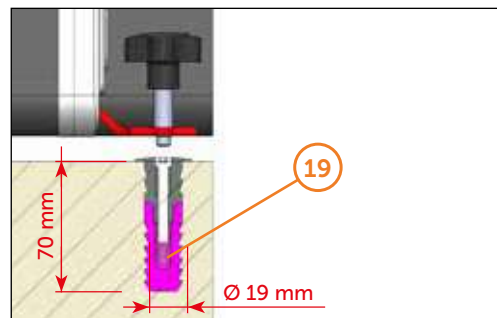
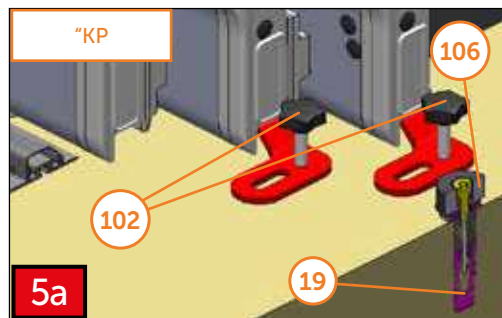
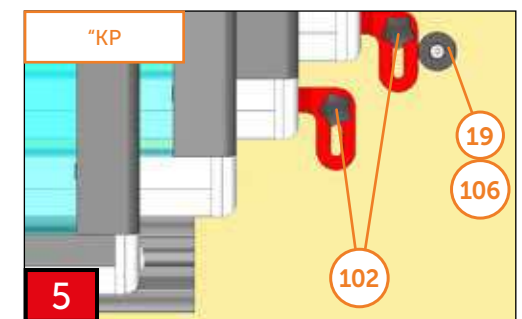
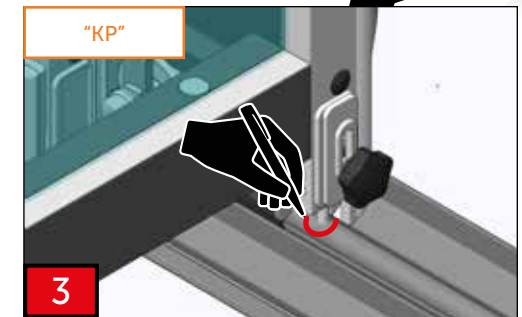
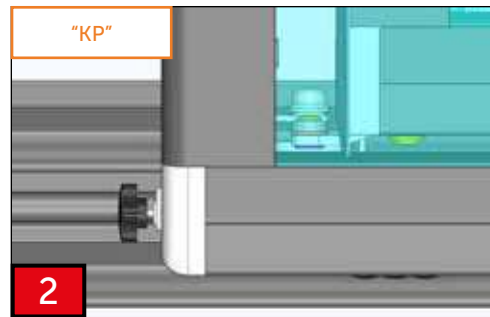
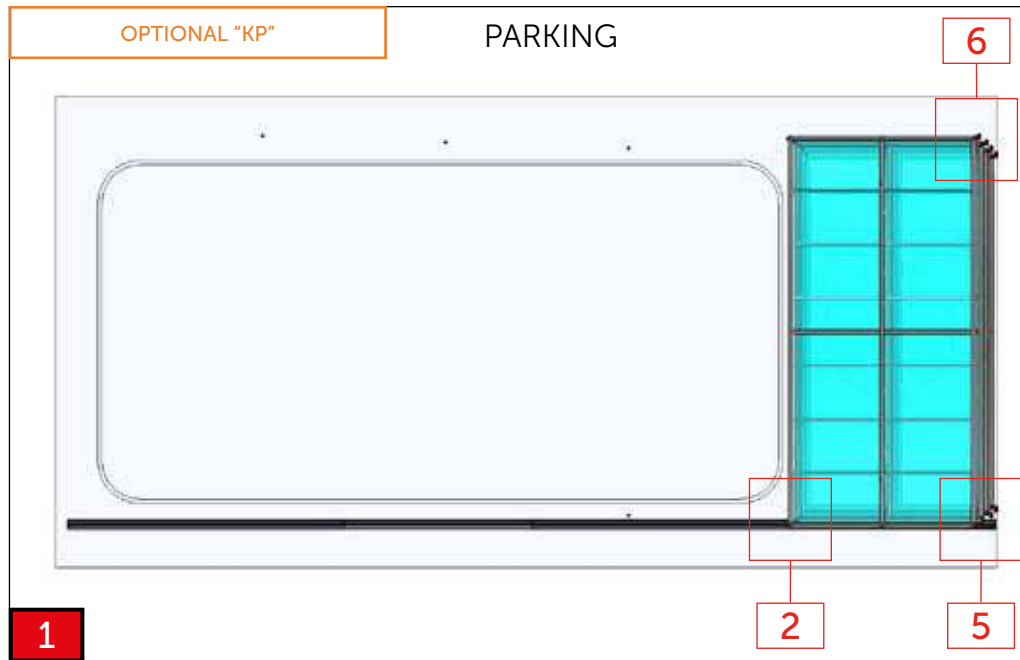
Zajištěný modul A
Locked module A
Modul A gesperrt
Module A verrouillé
Заблокированный модуль A

3 OPTIONAL "KP"

Odjistit modul A
Unlock the module A
Modul A entsperren
Déverrouiller le module A
Разблокировать модуль A

4 PARKING OPTIONAL "KP"

Zajistit modul B,C,D
Lock the module B,C,D
Modul A,B,C,D sperren
Module de verrouillage B,C,D
Блокировать модуль B,C,D





CZ

Dodavatel si vyhrazuje právo na změny a úpravy technických parametrů uváděných v tomto katalogu s ohledem na technický vývoj a zdokonalení výrobků a balení.
Dodavatel si vyhrazuje právo na tiskové chyby a chyby v sazbě. Před montáží si pozorně přečtěte návod. Návod si uchovejte pro pozdější použití.

DE

Der Lieferant behält sich das Recht auf Änderungen und Anpassungen der technischen Parameter, die in diesem Katalog aufgeführt sind, mit Rücksicht auf die technische Entwicklung und Verbesserung der Produkte und Verpackung vor. Der Lieferant behält sich das Recht auf Druckfehler und Fehler im Satz vor.
Vor der Montage lesen Sie bitte die Anleitung sorgfältig durch. Bewahren Sie die Anleitung für spätere Verwendung auf.

EN

The supplier reserves the right for modifications and adaptations of the technical parameters stated in this catalogue, considering the technical development and upgrade of the products and packaging.
The supplier reserves the right for print errors and typographical errors. Please read the manual carefully before you will start the installation. Keep the manual for later use.

ES

El proveedor se reserva el derecho de hacer cambios y modificaciones técnicas de los parámetros que figuran en este catálogo, con respecto al desarrollo técnico mejorando los productos y embalajes.
El proveedor se reserva también el derecho a errores de impresión y composición. Antes de empezar la instalación, lea atentamente las instrucciones. Guarde las instrucciones para su uso posterior.

FR

Le fabricant se réserve le droit de modifier les paramètres techniques cités dans ce manuel en considération du développement technique et de l'amélioration des produits et de leur emballage. Le fabricant se réserve le droit des fautes d'impression et de composition. À lire attentivement et à conserver pour une consultation ultérieure.

HU

Gyártó fenntartja jogát a katalógusban feltüntetett műszaki paraméterek változtatására a termékek és csomagolás technikai fejlesztése és tökéletesítése szerint.
Szállító: a szállító fenntartja jogát a nyomtatási és szedési hibákra.

IT

Il fornitore si riserva il diritto di effettuare modifiche e correzioni ai parametri tecnici riportati nel presente catalogo per migliorare e perfezionare dal punto di vista tecnico i prodotti e gli imballaggi.
Il fornitore non esclude inoltre l'eventuale presenza di errori di stampa e di impaginazione. Prima dell'installazione, leggere attentamente le istruzioni. Tenere l'istruzione per un uso successivo.

PL

Dostawca zastrzega sobie prawo do zmian oraz dostosowania parametrów technicznych podanych w niniejszym katalogu z uwzględnieniem rozwoju technicznego i udoskonalania produktów oraz opakowań. Dostawca zastrzega sobie prawo do błędów druku oraz typograficznych.

PT

O provedor reserva-se o direito a efectuar alterações e adaptações de parâmetros técnicos mencionados neste catálogo, tendo em consideração o avanço técnico e melhorias de produtos e embalagens. O provedor reserva-se o direito a cometer erros de impressora e de edição.

RO

Furnizorul își rezervă dreptul de a modifica și schimba parametrii tehnici menționați în acest catalog cu privire la evoluția tehnică și perfecționarea produselor și a ambalării. Furnizorul își rezervă dreptul la greșelile de tipar și greșelile privind tarifele.

RU

Поставщик оставляет за собой право на изменение и исправление технических параметров продукции указанной в этом каталоге, с учетом технического развития, а усовершенствования изделий и его упаковки. Поставщик оставляет за собой право на опечатку в тексте и в ценах.
Перед установкой и эксплуатацией изделия внимательно ознакомьтесь с настоящим руководством. Сохраните данное руководство для дальнейшего использования.