

# SYDNEY A [V-02] [PKB 8mm]

# SYDNEY A CLEAR [V-02] [PK 4mm]

# SYDNEY AS [V-01] [PKB 8mm]

# SYDNEY AS CLEAR [V-01] [PK 4mm]

## BOX



VERZE: 31. 01. 2024 / REVIZE: 31. 01. 2024



**BG**  
 Покрилка за басейни със съоръжение за заключване / ANCOE - NF P 90-309  
 Заставката е изработена от поликарбонат и е предназначена за използване с филтриращи системи за басейни.

**DE**  
 Schwimmbeckenabdeckung mit Verschlussvorrichtung / ANCOE - NF P 90-309  
 Die Abdeckung ist aus Polycarbonat gefertigt und ist für den Einsatz mit Filteranlagen für Schwimmbäder vorgesehen.

**ES**  
 Cubierta de piscinas con mecanismo de cierre / ANCOE - NF P 90-309  
 Este tipo de cubierta es adecuada para ser utilizada con sistemas de filtración de piscinas.

**FR**  
 Hors de piscine: couverture rigide avec verrouillage / ANCOE - NF P 90-309  
 Cette couverture est destinée à être utilisée avec des systèmes de filtration pour piscines.

**HU**  
 Medencefedélzeti zárási szerkezet / ANCOE - NF P 90-309  
 A zárási szerkezet a medence szűrőrendszerével együttesen használható.

**CN**  
 游泳池盖板锁具 / ANCOE - NF P 90-309  
 该锁具适用于游泳池的过滤系统。

**LT**  
 Šiluminė vandens užklotinė su užrakintu / ANCOE - NF P 90-309  
 Tinka naudoti su šiluminės vandens šildymo sistema.

**PL**  
 Zadasztywne zabezpieczenie zamykające / ANCOE - NF P 90-309  
 Przeznaczony jest do stosowania z systemem filtracji w basenie.

**RU**  
 Крышка для бассейнов с устройством блокировки / ANCOE - NF P 90-309  
 Предназначена для использования с системой фильтрации бассейна.

**SL**  
 Nadstropnica za bazen s zaklepanjem / ANCOE - NF P 90-309  
 Namenjena je za uporabo s sistemom filtracije bazena.

**CZ**  
 Bazénové zadržovací látko s uzamykáním / ANCOE - NF P 90-309  
 Určené pro použití s filtračním systémem bazénu.

**DK**  
 Bassinoverdækning med lås / ANCOE - NF P 90-309  
 Bestemt til brug i forbindelse med filtreringssystemer i badebækkener.

**EE**  
 Basini kaetmine seadme lukkemehitamine / ANCOE - NF P 90-309  
 Arvestatud kasutamiseks filtratsioonisüsteemidega basseini puhastamiseks.

**GB**  
 The swimming pool enclosure with locking mechanism / ANCOE - NF P 90-309  
 This enclosure is intended for use with filtration systems in swimming pools.

**HR**  
 Nadstropna bazena s zaključivanjem / ANCOE - NF P 90-309  
 Ova nadstropna bazena je namijenjena za upotrebu s filtracijskim sustavom u bazenima.

**IT**  
 Copertura per piscine: chiusura rigida con serratura / ANCOE - NF P 90-309  
 Adatta per essere utilizzata con sistemi di filtrazione per piscine.

**LV**  
 Bāzēnu jumts ar slēdzi / ANCOE - NF P 90-309  
 Piemērots lietošanai ar filtrācijas sistēmu baseinā.

**RO**  
 Acoperire pentru piscină: construcție rigidă cu încuietorie / ANCOE - NF P 90-309  
 Este destinată utilizării cu sistemul de filtrare al piscinei.

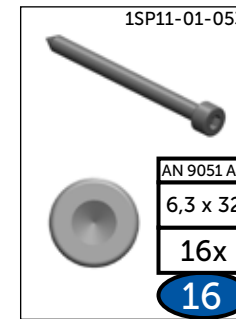
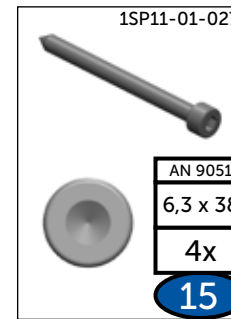
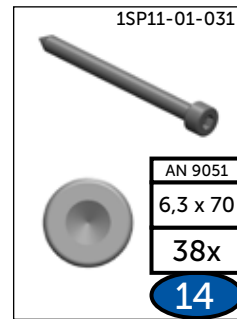
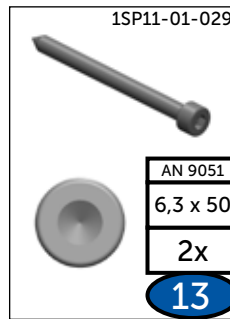
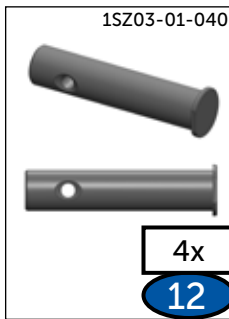
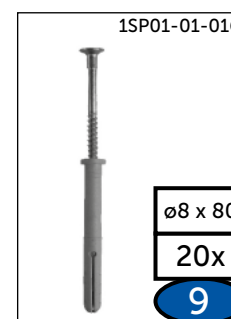
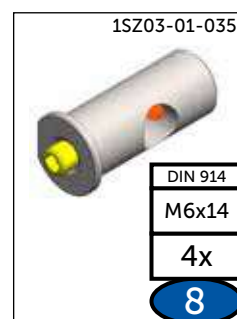
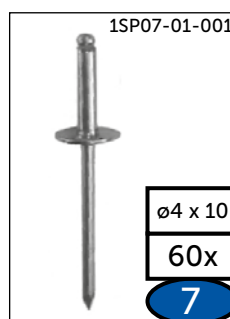
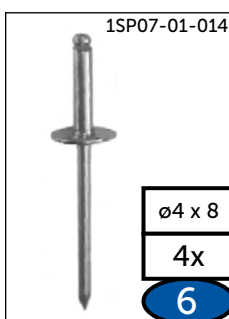
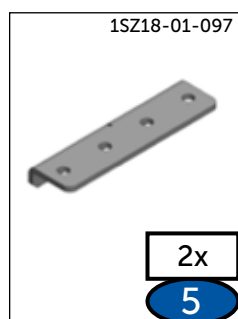
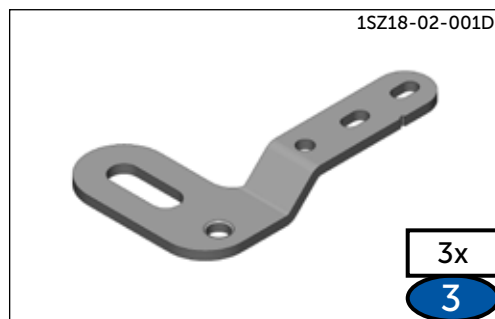
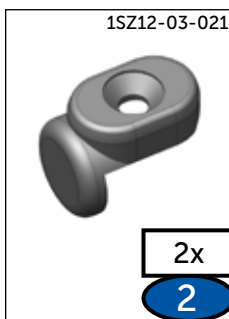
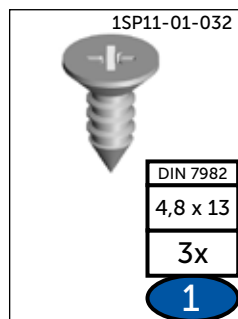
**SE**  
 Poolöverdäckning med lås / ANCOE - NF P 90-309  
 Avsett för användning med filtreringssystem i bassänger.

**SK**  
 Bazénové zadrženie s uzamykáním / ANCOE - NF P 90-309  
 Priznáné na použitie s filtračným systémom bazéna.



TYP	PRODUKT
KL	SYDNEY - kolej vlevo
	SYDNEY - Rails on the left side only
	SYDNEY - einseitige Schiene links
	SYDNEY - rail d'un seul coté à gauche
	SYDNEY - в исполнении с рельсами с одной стороны - налево

TYP	PRODUKT
KP	SYDNEY - kolej vpravo
	SYDNEY - Rails on the right side only
	SYDNEY - einseitige Schiene rechts
	SYDNEY - rail d'un seul coté à droit
	SYDNEY - в исполнении с рельсами с одной стороны - направо





1NA03-01-050

1x  
17

1SZ01-02-007 **a** 7x

1SP03-01-008 **b** 7x

1SP11-01-010 **c**

DIN 7982 TX
5,5x45
21x

Pouze pro dřevěné a dřevoplastové podlahy  
Only for wooden and wood-plastic floors  
Nur für Holz- und Holz-Kunststoffböden  
Uniquement pour les planchers en bois et en bois-plastique  
Только для деревянных и древесно-пластиковых полов

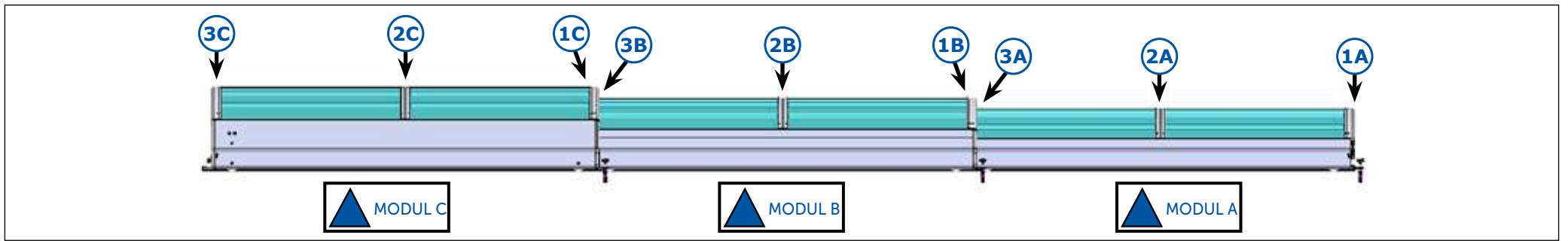
2Z06-03-SD001

7x  
19

2Z06-03-SD004

6x  
KEY

3x  
20



2Z12-01-SM008D - 1A
2Z12-01-SM009D - 2A
2Z12-01-SM010D - 3A

<b>MODUL A</b>		
1A	1x	21
2A	1x	22
3A	1x	23

2Z12-01-SM011D - 1B
2Z12-01-SM012D - 2B
2Z12-01-SM013D - 3B

<b>MODUL B</b>		
1B	1x	24
2B	1x	25
3B	1x	26



2Z12-01-SM014D - 1C	
2Z12-01-SM015D - 2C	
2Z12-01-SM016D - 3C	
	MODUL C
1C	1x <b>27</b>
2C	1x <b>28</b>
3C	1x <b>29</b>

Sydney A/ Clear A 2Z04-01-SD001	1041 mm
Sydney AS/Clear AS 2Z04-01-SD004	906 mm

24x

**36**

Sydney A/ Clear A 2Z05-01-SD001	1041 mm
Sydney AS/Clear AS 2Z05-01-SD005	906 mm

6x

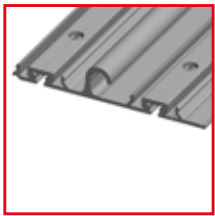
**37**

2Z01-01-SD045

<b>A</b>
3230 mm
1x
<b>40</b>



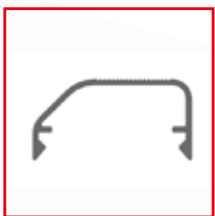
2Z01-01-SD051 - Sydney A  
2Z01-01-SD056 - Sydney AS



	<b>D</b>
Sydney A/ Clear A	3280 mm
Sydney AS/Clear AS	2470 mm
	1x
	<b>42</b>



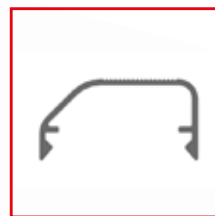
2Z01-01-SD002



<b>A</b>
3230 mm
2x
<b>43</b>



2Z01-01-SD040 - Sydney A  
2Z01-01-SD057 - Sydney AS



Sydney A/ Clear A	3280 mm
Sydney AS/Clear AS	2470 mm
	<b>D</b>
	2x
	<b>44</b>



**MODUL A**

2Z12-01-DP020



193 mm
1x
<b>45</b>

**MODUL C**

2Z12-01-DP018



314 mm
1x
<b>46</b>

**MODUL A**

2Z12-01-DP019



3549 mm
1x
<b>47</b>

**MODUL C**

2Z12-01-DP017



3829 mm
1x
<b>48</b>



<b>MODUL C</b>	OPTIONAL "KL" - STANDARD		<table border="1"> <tr> <td>Sydney A/ Clear A 2Z02-09-SR009</td> <td>2150 mm</td> </tr> <tr> <td>Sydney AS/Clear AS 2Z02-09-SR067</td> <td>1880 mm</td> </tr> </table>	Sydney A/ Clear A 2Z02-09-SR009	2150 mm	Sydney AS/Clear AS 2Z02-09-SR067	1880 mm
Sydney A/ Clear A 2Z02-09-SR009	2150 mm						
Sydney AS/Clear AS 2Z02-09-SR067	1880 mm						
			<table border="1"> <tr> <td>1x</td> </tr> <tr> <td><b>52</b></td> </tr> </table>	1x	<b>52</b>		
1x							
<b>52</b>							


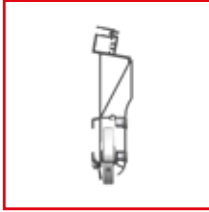
<b>MODUL C</b>	OPTIONAL "KL" - STANDARD		<table border="1"> <tr> <td>Sydney A/ Clear A 2Z02-09-SR010</td> <td>2150 mm</td> </tr> <tr> <td>Sydney AS/Clear AS 2Z02-09-SR068</td> <td>1880 mm</td> </tr> </table>	Sydney A/ Clear A 2Z02-09-SR010	2150 mm	Sydney AS/Clear AS 2Z02-09-SR068	1880 mm
Sydney A/ Clear A 2Z02-09-SR010	2150 mm						
Sydney AS/Clear AS 2Z02-09-SR068	1880 mm						
			<table border="1"> <tr> <td>1x</td> </tr> <tr> <td><b>53</b></td> </tr> </table>	1x	<b>53</b>		
1x							
<b>53</b>							

<b>MODUL B</b>	"KL" = "KP"		<table border="1"> <tr> <td>Sydney A/ Clear A 2Z02-09-SR003</td> <td>2150 mm</td> </tr> <tr> <td>Sydney AS/Clear AS 2Z02-09-SR013</td> <td>1880 mm</td> </tr> </table>	Sydney A/ Clear A 2Z02-09-SR003	2150 mm	Sydney AS/Clear AS 2Z02-09-SR013	1880 mm
Sydney A/ Clear A 2Z02-09-SR003	2150 mm						
Sydney AS/Clear AS 2Z02-09-SR013	1880 mm						
			<table border="1"> <tr> <td>1x</td> </tr> <tr> <td><b>54</b></td> </tr> </table>	1x	<b>54</b>		
1x							
<b>54</b>							



**MODUL B**

"KL" = "KP"


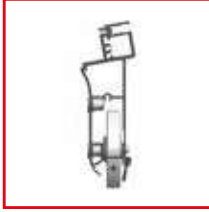
Sydney A/ Clear A 2Z02-09-SR004	2150 mm
Sydney AS/Clear AS 2Z02-09-SR014	1880 mm

1x

**55**

**MODUL A**

"KL" = "KP"



Sydney A/ Clear A 2Z02-09-SR001	2150 mm
Sydney AS/Clear AS 2Z02-09-SR011	1880 mm

1x

**56**

**MODUL A**


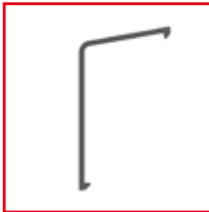
"KL" = "KP"

Sydney A/ Clear A 2Z02-09-SR002	2150 mm
Sydney AS/Clear AS 2Z02-09-SR012	1880 mm

1x

**57**

Sydney A/ Clear A 2Z02-09-SD027	2150 mm
Sydney AS/Clear AS 2Z02-09-SR028	1880 mm

6x

**58**



2Z12-01-DK010 - Sydney A  
 2Z12-05-DK010 - Sydney A Clear  
 2Z12-19-DK010 - Sydney AS  
 2Z12-20-DK010 - Sydney AS Clear

Sydney A/ Clear A	1789 x 1050 mm
Sydney AS/Clear AS	1789 x 915 mm

OUT

PK8 LNO

MODUL A

4x

60

2Z12-01-DK011 - Sydney A  
 2Z12-05-DK011 - Sydney A Clear  
 2Z12-19-DK011 - Sydney AS  
 2Z12-20-DK011 - Sydney AS Clear

Sydney A/ Clear A	1859 x 1050 mm
Sydney AS/Clear AS	1859 x 915 mm

OUT

PK8 LNO

MODUL B

4x

61

2Z12-01-DK012 - Sydney A  
 2Z12-05-DK012 - Sydney A Clear  
 2Z12-19-DK012 - Sydney AS  
 2Z12-20-DK012 - Sydney AS Clear

Sydney A/ Clear A	1929 x 1050 mm
Sydney AS/Clear AS	1929 x 915 mm

OUT

PK8 LNO

MODUL C

4x

62

2Z12-01-DK003  
 2Z12-01-DK004

MODUL A

2x

64

2Z12-09-DK001  
 2Z12-09-DK002

MODUL C

2x

65

2Z12-01-DO009

MODUL A

2x

66

2Z12-01-DO008

MODUL C

2x

67





## ⚠ only SYDNEY CLEAR ⚠

2Z12-05-DO010 - Sydney A Clear  
2Z12-20-DO010 - Sydney AS Clear



Sydney Clear A/AS	1789 mm
Sydney Clear A	1030 mm
Sydney Clear AS	915 mm

MODUL A

8x  
**68**

2Z12-05-DO011 - Sydney A Clear  
2Z12-20-DO011 - Sydney AS Clear



Sydney Clear A/AS	1859 mm
Sydney Clear A	1030 mm
Sydney Clear AS	915 mm

MODUL B

8x  
**69**

2Z12-05-DO012 - Sydney A Clear  
2Z12-20-DO012 - Sydney AS Clear



Sydney Clear A/AS	1929 mm
Sydney Clear A	1030 mm
Sydney Clear AS	915 mm

MODUL C


8x  
**70**



<b>MODUL A</b>  2Z09-01-SD076 1x <b>72</b>	<b>MODUL A</b>  2Z09-01-SD077 1x <b>73</b>	<b>MODUL A</b>  2Z09-01-SD078 1x <b>74</b>	<b>MODUL A</b>  2Z09-01-SD079 1x <b>75</b>
<b>MODUL B</b>  2Z09-01-SD072 1x <b>76</b>	<b>MODUL B</b>  2Z09-01-SD073 1x <b>77</b>	<b>MODUL B</b>  2Z09-01-SD074 1x <b>78</b>	<b>MODUL B</b>  2Z09-01-SD075 1x <b>79</b>
<b>MODUL C</b>  2Z09-01-SD064 1x <b>80</b>	<b>MODUL C</b>  2Z09-01-SD065 1x <b>81</b>	<b>MODUL C</b>  2Z09-01-SD066 1x <b>82</b>	<b>MODUL C</b>  2Z09-01-SD067 1x <b>83</b>




2Z09-01-SD020



1x

88


2Z09-01-SD021



1x

89


2Z09-01-SD003



4x

90


1SP10-01-077



DIN 912  
M 5x65  
4x

91


1SP10-01-084



ISO 7380  
M 6x20  
8x

92


1SZ18-02-010



6x

93


1SZ18-02-012



12x

94


1SP11-01-049



AN 9051  
4,8x60  
18x

95


1SP10-01-078



DIN 912  
M 6x65  
12x

96


1SP10-01-082



DIN 912  
M 6x100  
12x

97


1SZ03-01-038



6x

98

1SZ03-01-030



12x

99

1SZ12-01-010



24x

100

2Z06-03-SD003



1x

102

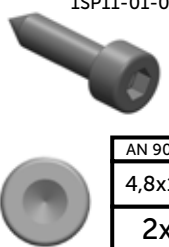
1SZ12-01-052



4x

104


1SP11-01-050



AN 9051  
4,8x19  
2x

105

1SZ04-01-019    1SZ04-01-026    1SP10-01-116    1SP08-01-015




A    B    C    D

DIN 912  
M8x20    DIN 440R  
M8    2x

106


1SZ12-03-020



1x

107

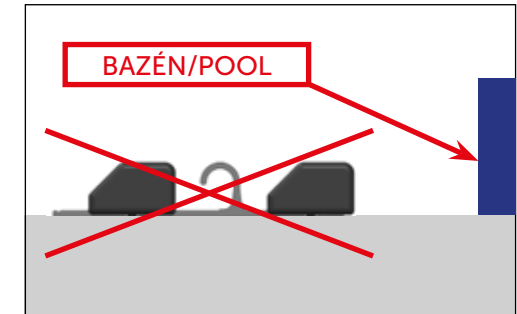
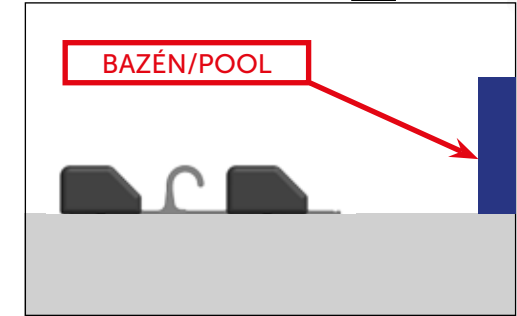
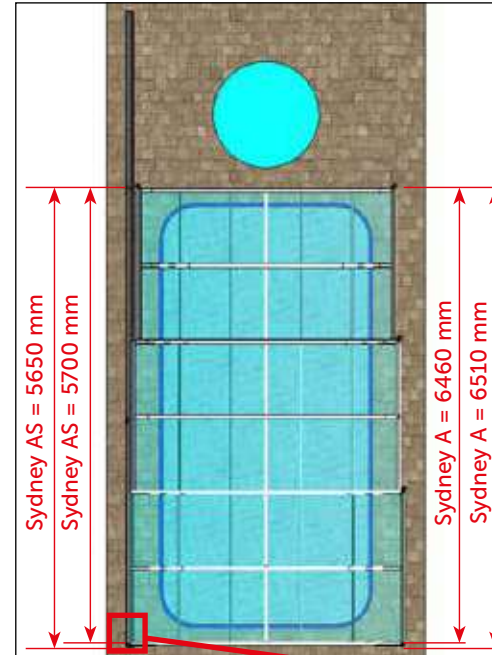
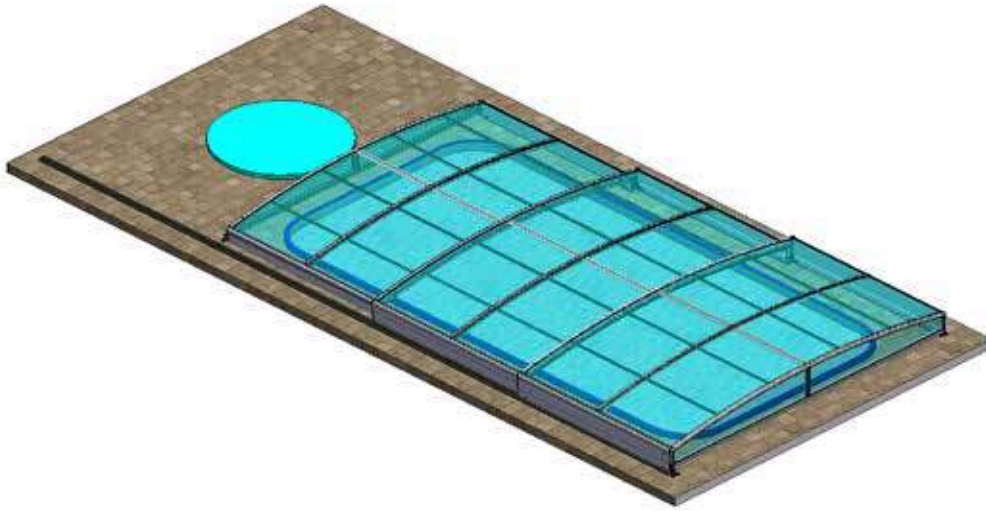
1SP10-01-025



DIN912  
M6x25  
8x

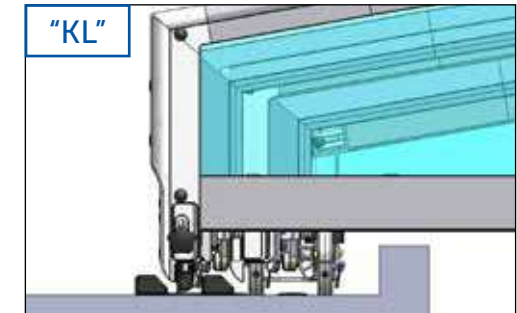
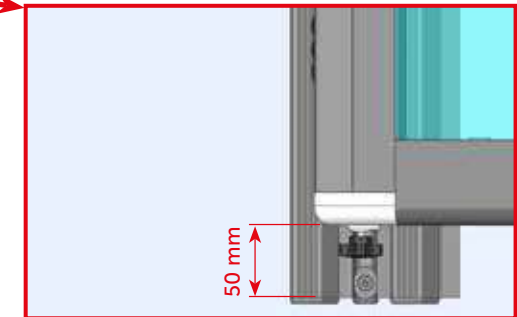
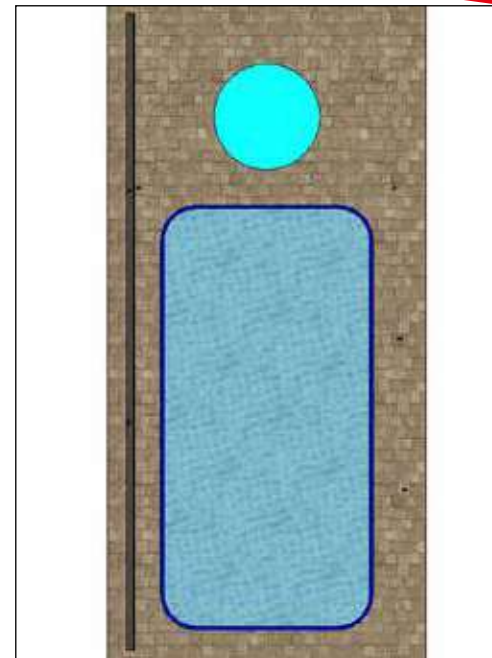
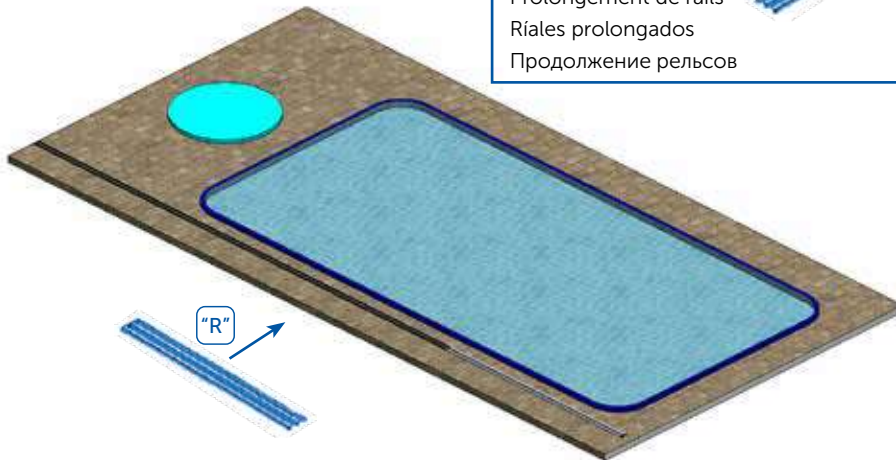
108

## OPTIONAL "KL"

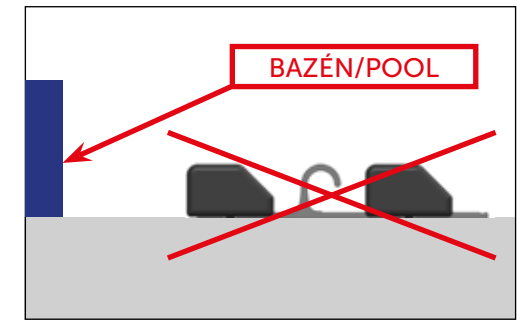
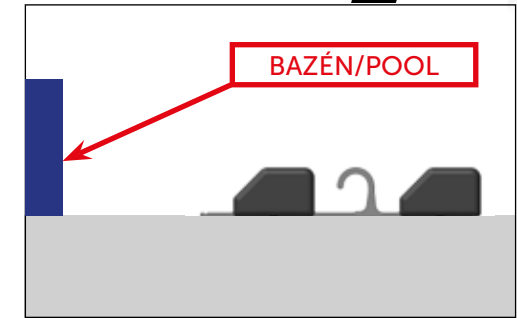
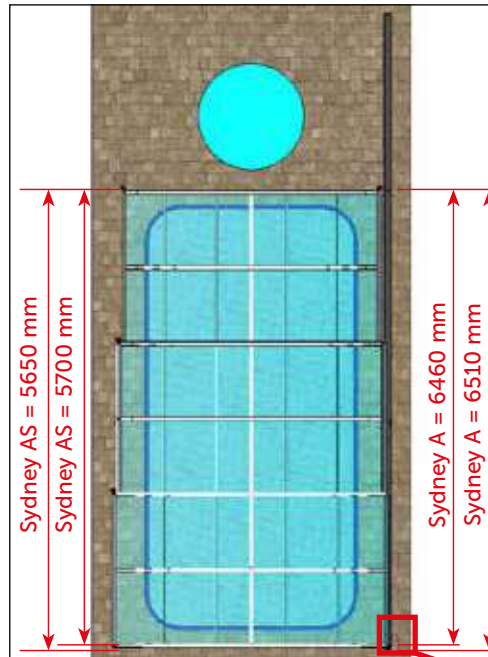
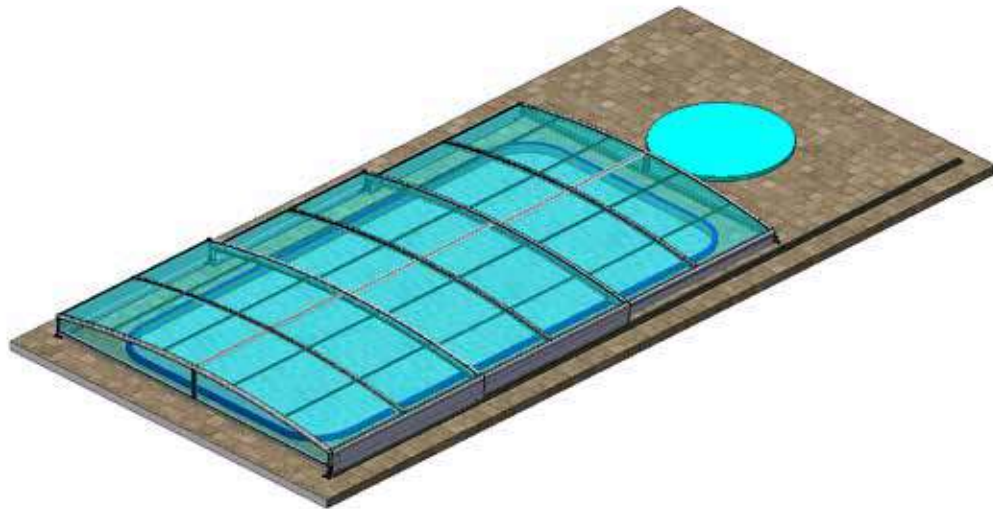


## OPTIONAL "R"

- Prodloužení kolejí
- Rail extension
- Schienenverlängerung
- Prolongement de rails
- Riales prolongados
- Продолжение рельсов

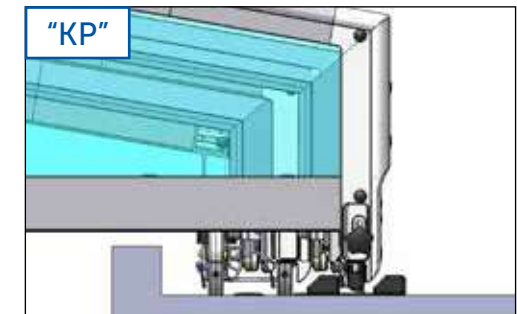
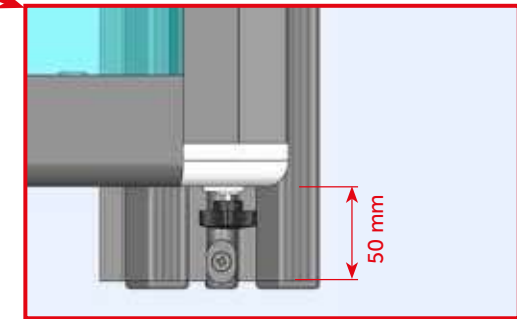
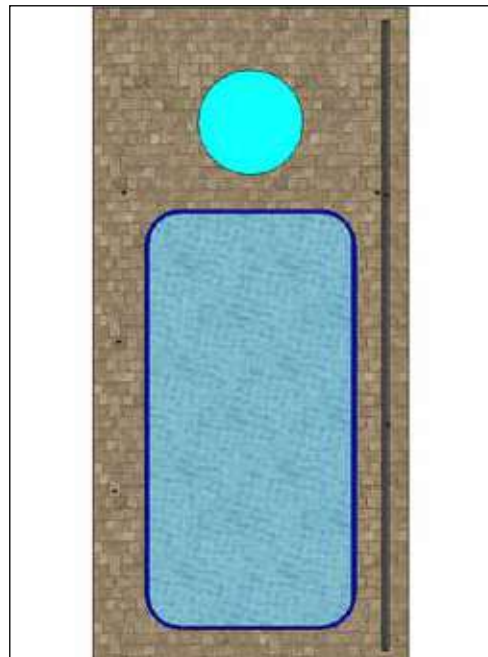
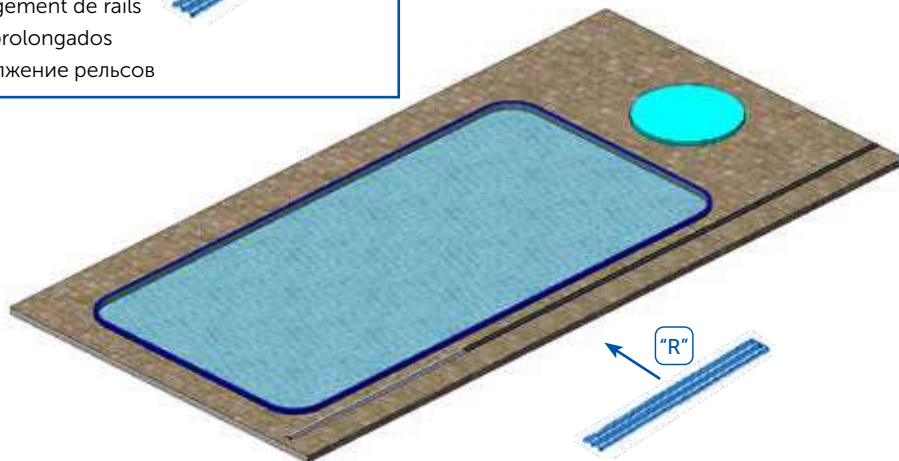


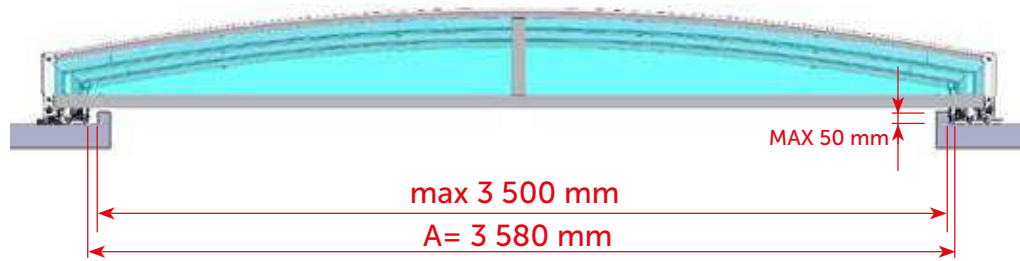
## OPTIONAL "KP"



## OPTIONAL "R"

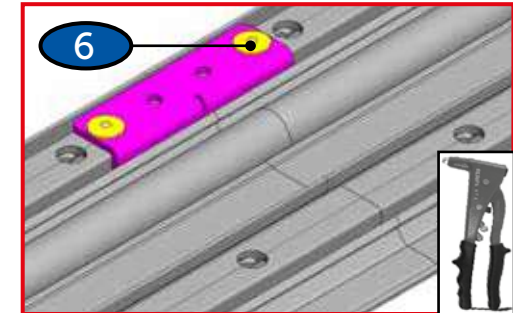
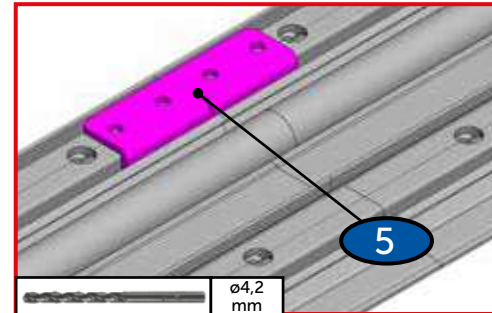
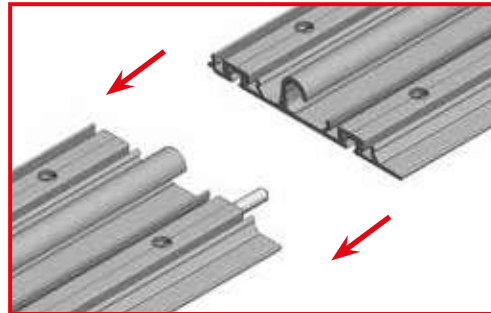
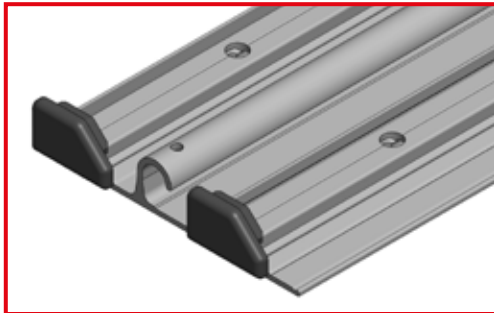
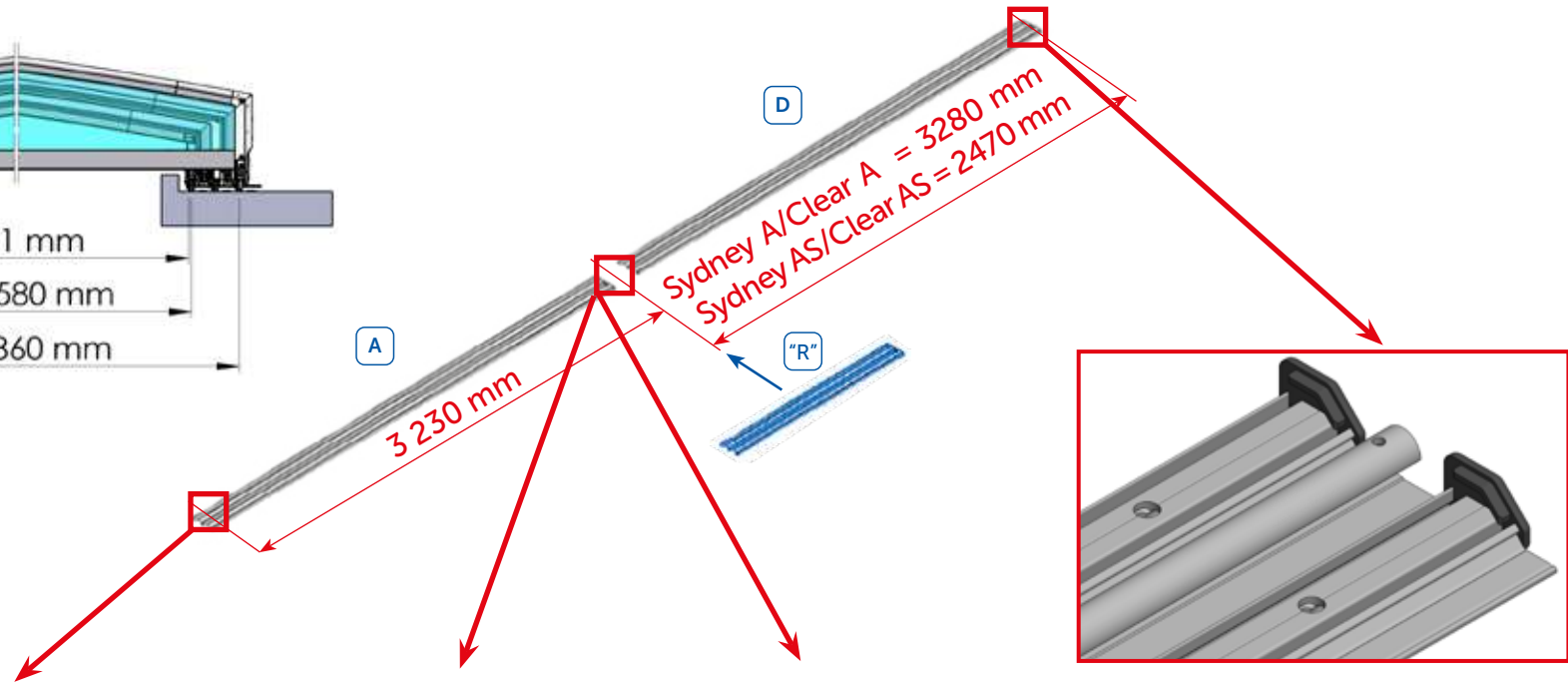
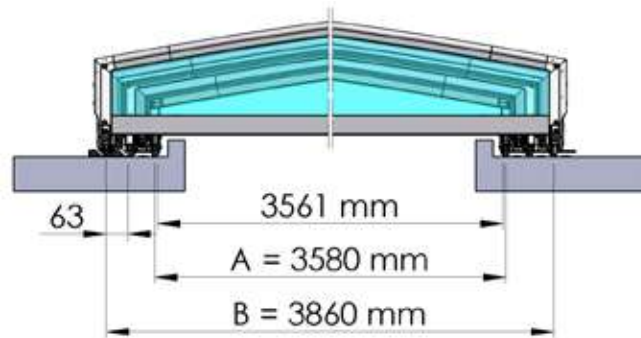
- Prodloužení kolejí
- Rail extension
- Schienenverlängerung
- Prolongement de rails
- Riales prolongados
- Продолжение рельсов

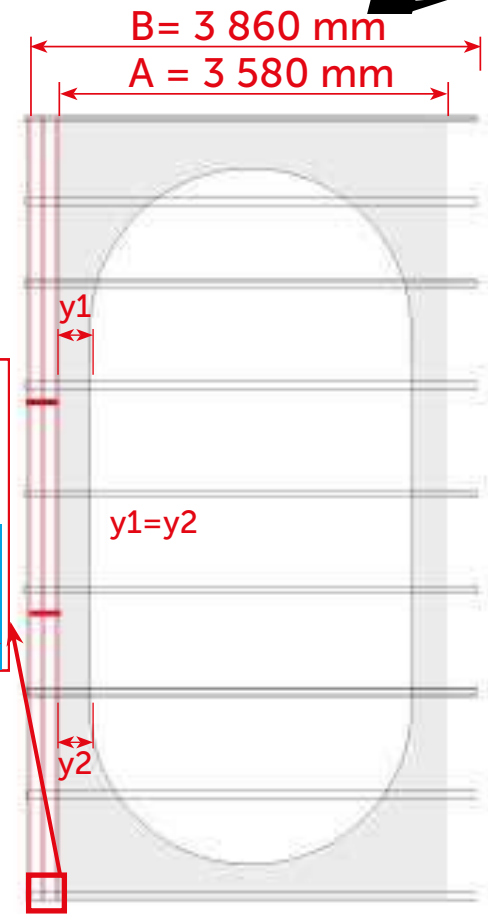
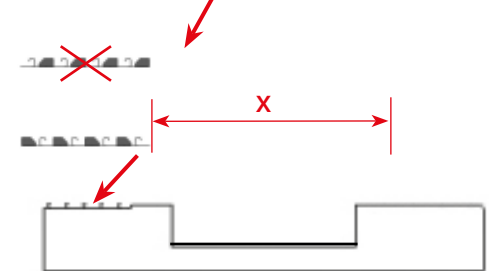
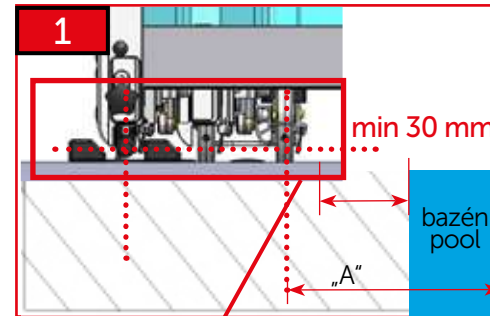
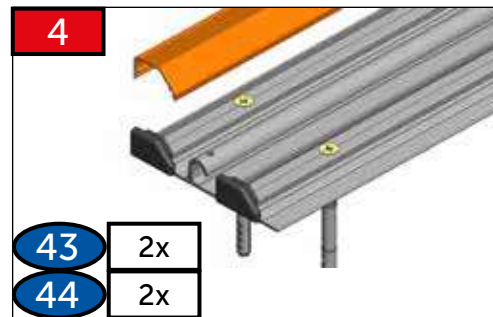
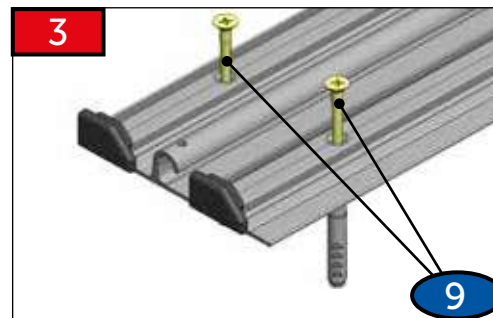
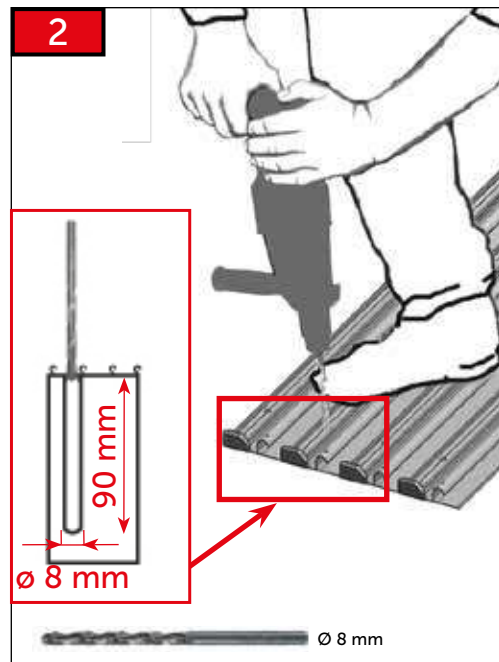
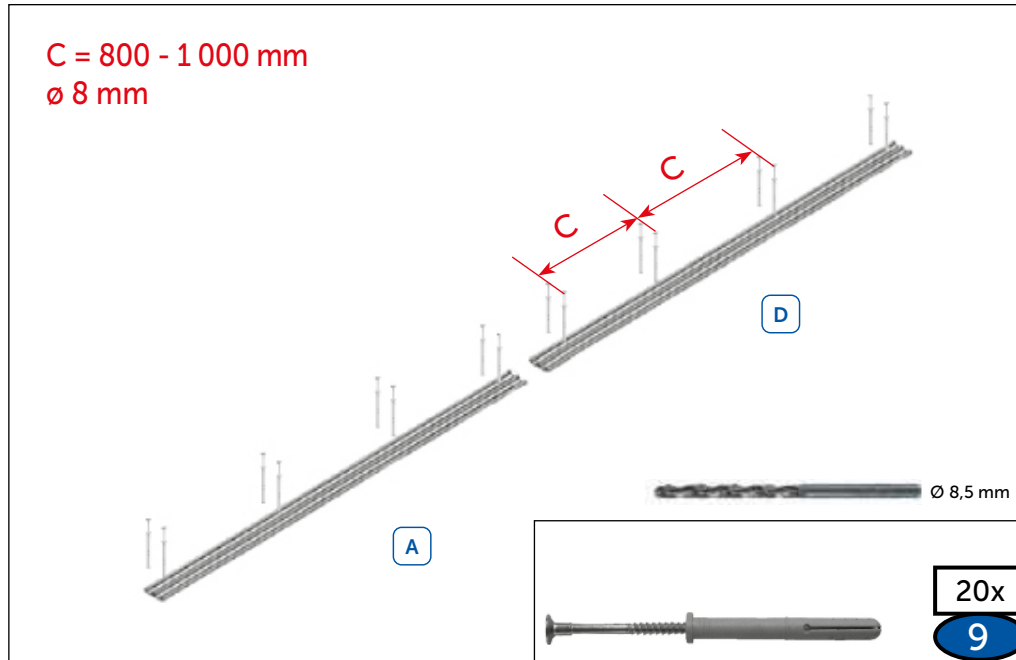




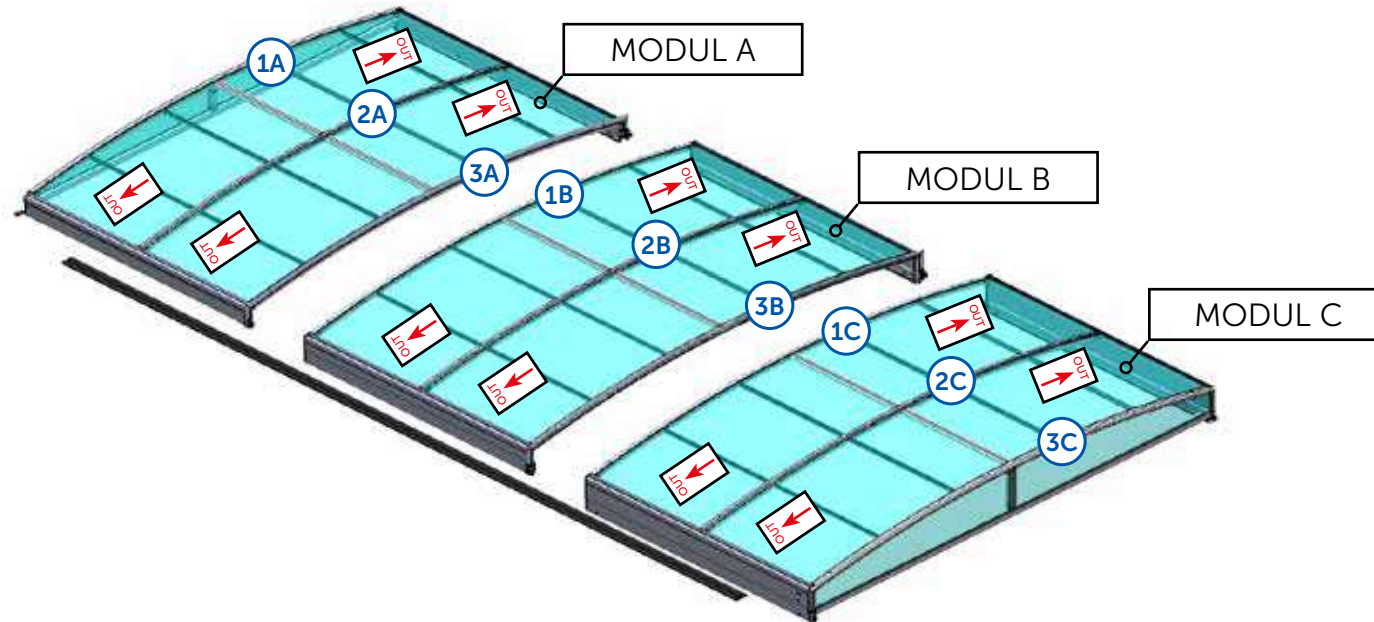
### OPTIONAL

- Prodloužení kolejí
- Rail extension
- Schienenverlängerung
- Prolongement de rails
- Ríales prolongados
- Продолжение рельсов

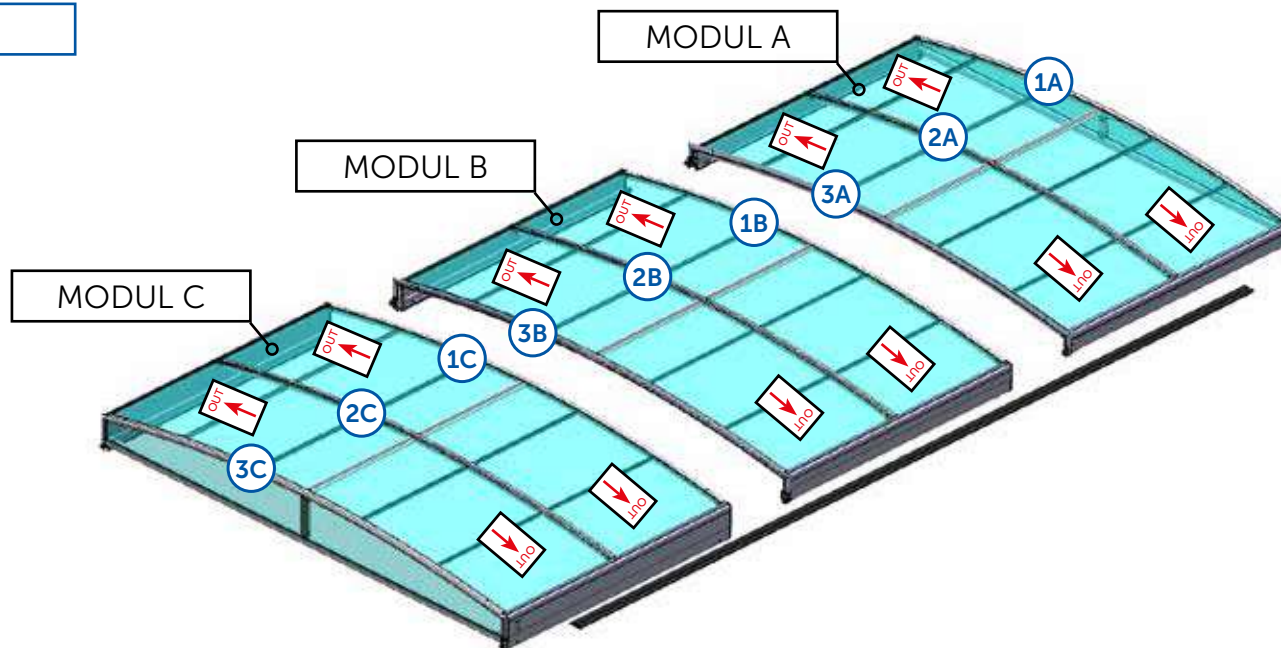




### OPTIONAL "KL" - STANDARD



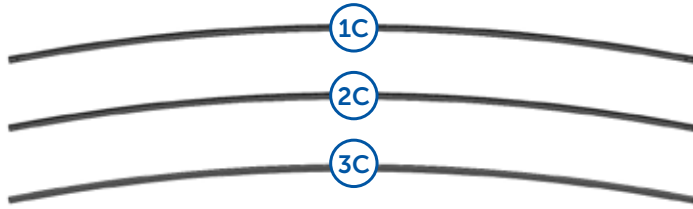
### OPTIONAL "KP"



**MODUL C**

KL → KP  
 = výměna koleček v profilech  
 = changing wheels in profiles  
 = Radwechsel in Profilen  
 = changement de roues dans les profils  
 = смена колес в профилях





1SP07-01-001

ø4 x 10

20x

7

1SZ03-01-035

DIN 914

M6x14

2x

8

1SZ29-01-008

2x

11

1SZ03-01-040

2x

12

1SP11-01-029

AN 9051

6,3 x 50

1x

13

1SP11-01-031

AN 9051

6,3 x 70

13x

14

1SP11-01-027

AN 9051

6,3 x 38

2x

15

1SP11-01-053

AN 9051 A4

6,3 x 32

4x

16

1NA03-01-050

1x

17

Sydney A/ Clear A 2Z04-01-SD001	1041 mm
Sydney AS/ Clear AS 2Z04-01-SD004	906 mm

8x

36

Sydney A/ Clear A 2Z05-01-SD001	1041 mm
Sydney AS/ Clear AS 2Z05-01-SD005	906 mm

2x

37

2Z12-01-DP018

314 mm

1x

46

2Z12-01-DP017

3829 mm

1x

48

OPTIONAL "KL" - STANDARD

Sydney A/ Clear A 2Z02-09-SR009	2150 mm
Sydney AS/ Clear AS 2Z02-09-SR067	1880 mm

1x

52

OPTIONAL "KL" - STANDARD

Sydney A/ Clear A 2Z02-09-SR010	2150 mm
Sydney AS/ Clear AS 2Z02-09-SR068	1880 mm

1x

53

Sydney A/ Clear A 2Z02-09-SD027	2150 mm
Sydney AS/ Clear AS 2Z02-09-SR028	1880 mm

2x

58

Sydney A/ Clear A	1929 x 1050 mm
Sydney AS/ Clear AS	1929 x 915 mm

MODUL C

4x

62

2x

65

2x

67

2Z09-01-SD066

1x


82

2Z09-01-SD067

1x

83


2Z09-01-SD020



1x

88


2Z09-01-SD021



1x

89

1SP10-01-077




DIN 912  
M 5x65

2x

91

1SP10-01-084




ISO 7380  
M 6x20

2x

92


1SZ18-02-010



2x

93


1SZ18-02-012



4x

94

1SP11-01-049




AN 9051  
4,8x60

6x

95

1SP10-01-078




DIN 912  
M 6x65

4x

96

1SP10-01-082




DIN 912  
M 6x100

4x

97


1SZ03-01-038



2x

98


1SZ03-01-030



4x

99


1SZ12-01-010



8x

100


1SZ12-01-052



2x

104

1SP11-01-050




AN 9051  
4,8x19

2x

105

1SZ12-01-051



2x

10

2Z09-01-SD064



1x

80


2Z09-01-SD065



1x

81

1SP10-01-025



DIN912  
M6x25

4x

108

OPTIONAL "KL"

1SZ18-02-001D



1x

3

OPTIONAL "KP"

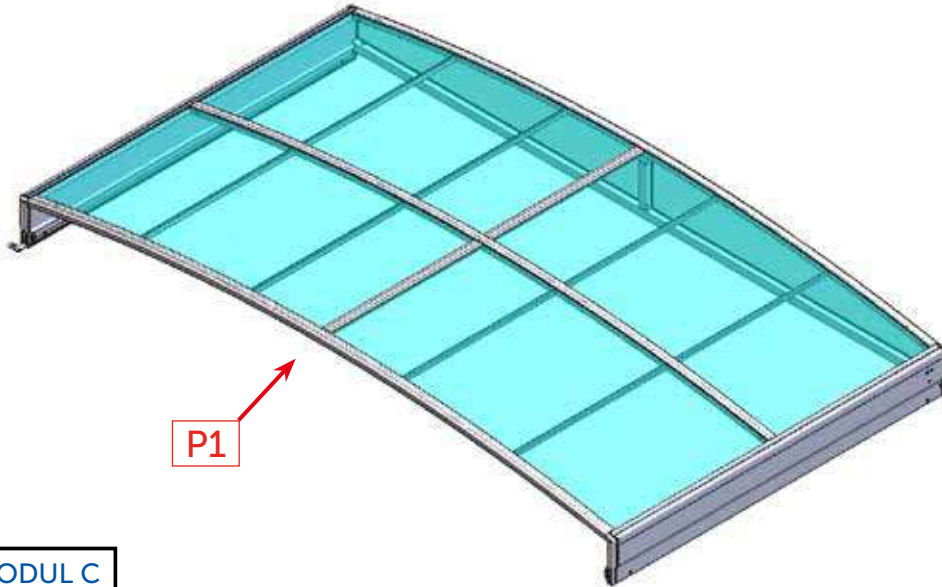
1SZ18-02-002D



1x

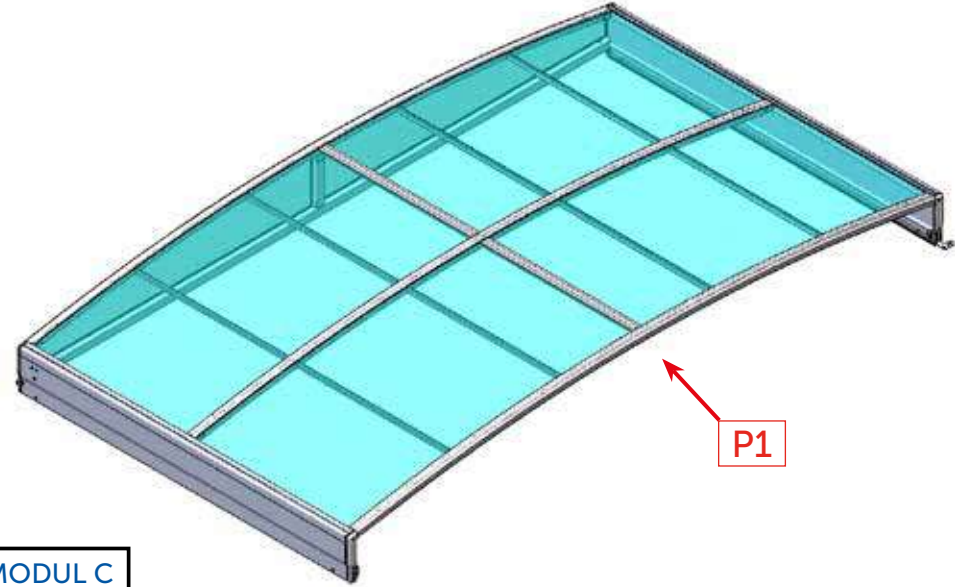
4

### OPTIONAL "KL" - STANDARD

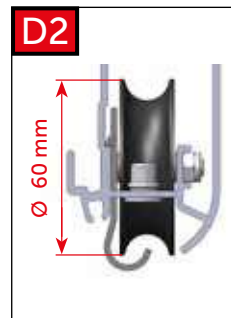
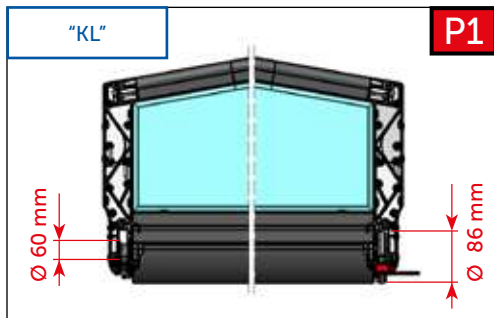
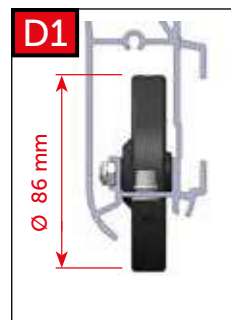
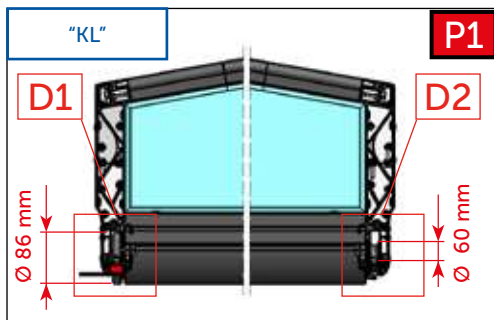


MODUL C

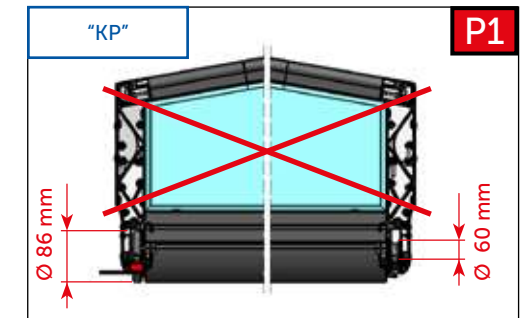
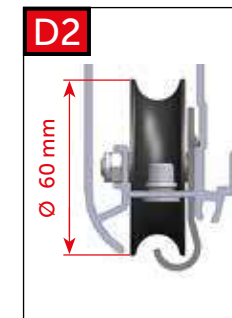
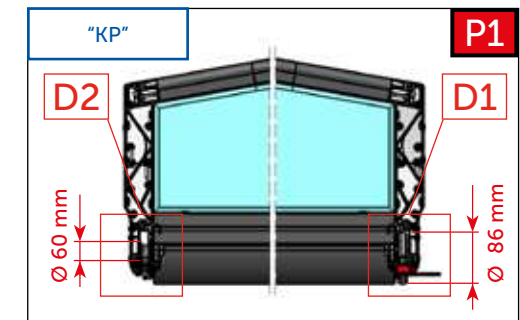
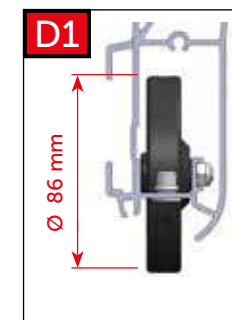
### OPTIONAL "KP"



MODUL C



KL → KP  
 = výměna koleček v profilech  
 = changing wheels in profiles  
 = Radwechsel in Profilen  
 = changement de roues dans les profils  
 = смена колес в профилях



**1** KL → KP

**1a**

- = demontáž
- = disassembly
- = Demontage
- = démontage
- = удаление

**1x**

**52**

**1**

**4a**

- = demontáž
- = disassembly
- = Demontage
- = démontage
- = удаление

**1x**

**53**

**1a**

**2**

1.

2.

**3**

**4a**

**5**

**1** KL → KP

1a

1a

- = montáž
- = montage
- = Montage
- = assemblage
- = монтаж

1x

**52**

**1**

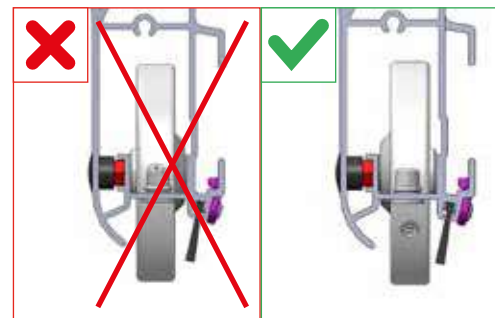
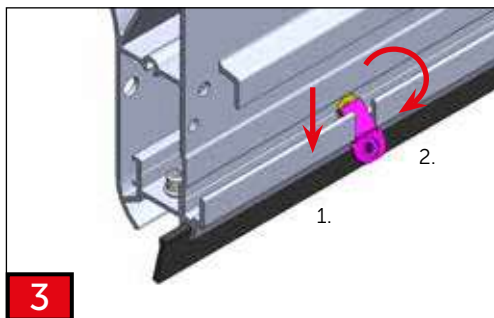
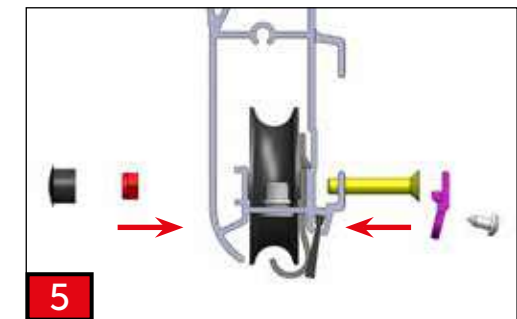
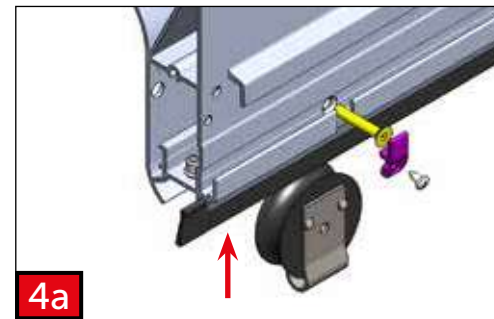
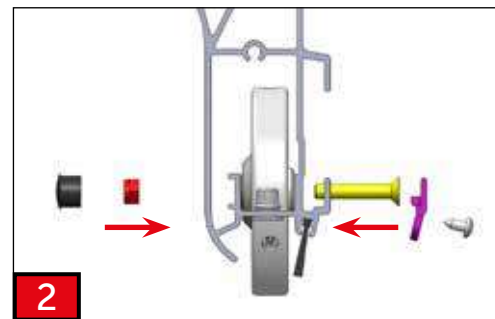
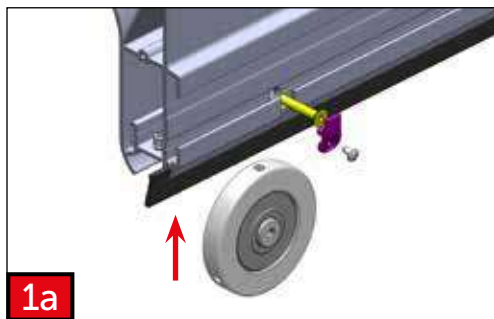
4a

4a

- = montáž
- = montage
- = Montage
- = assemblage
- = монтаж

1x

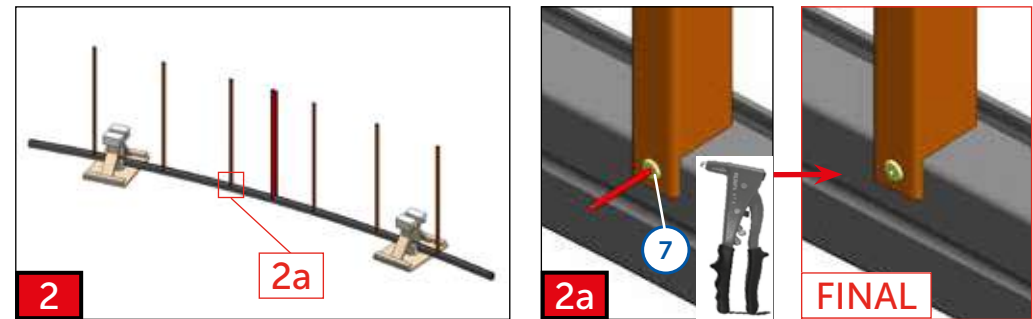
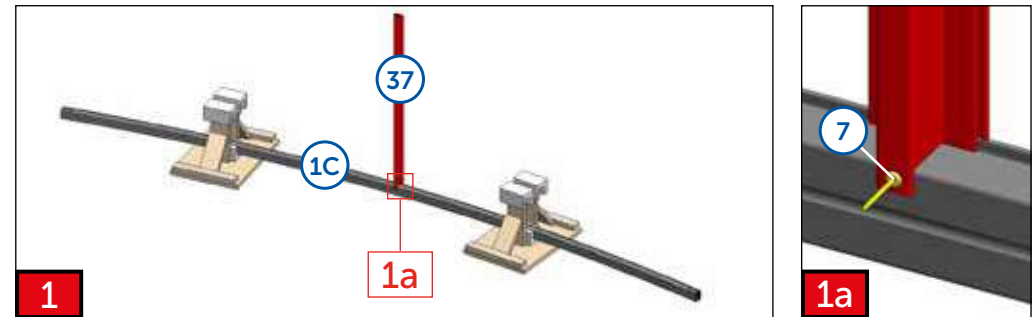
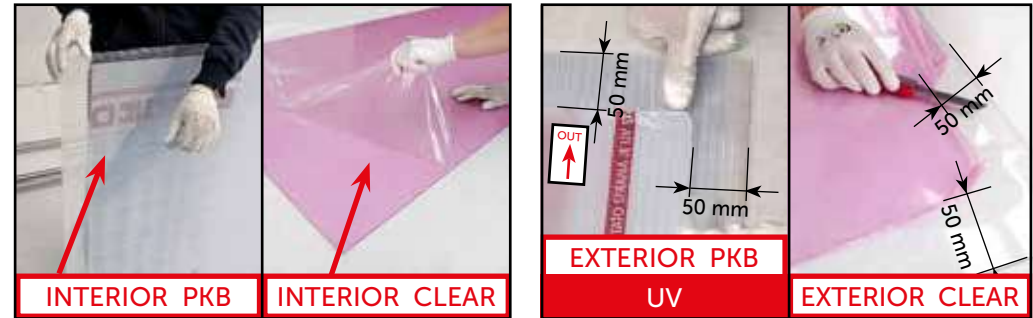
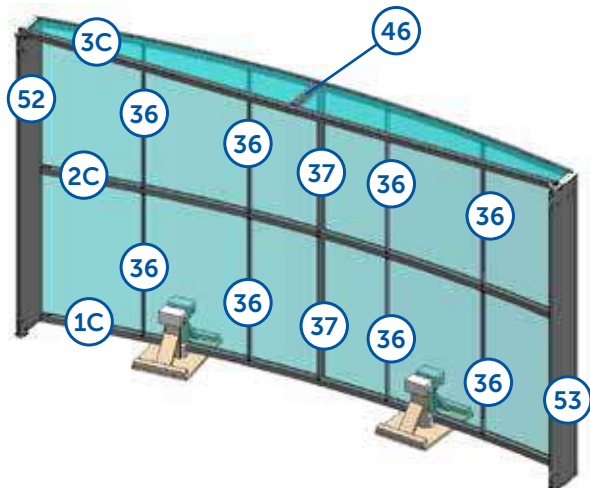
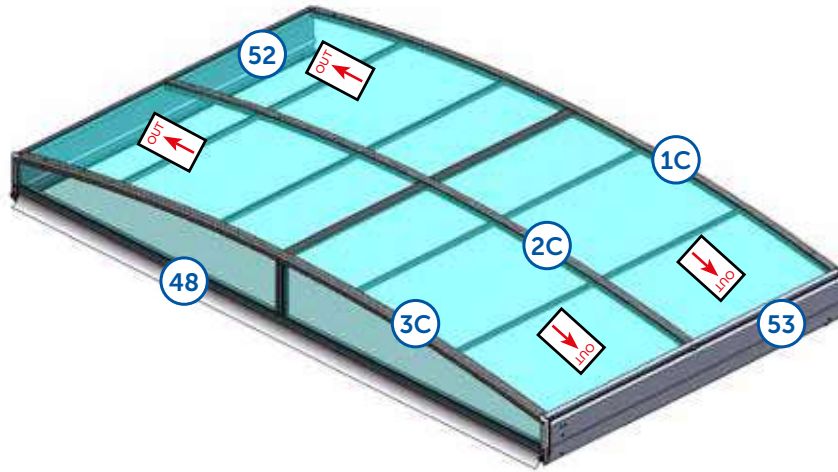
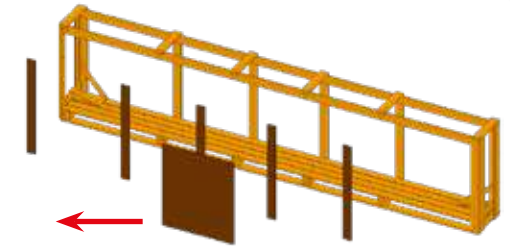
**53**

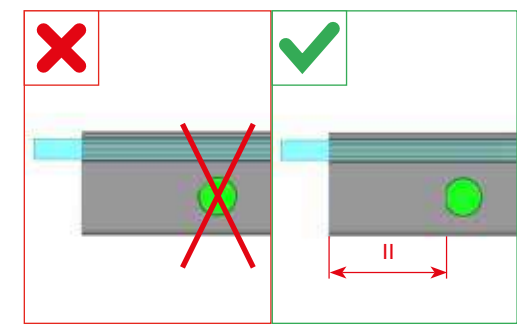
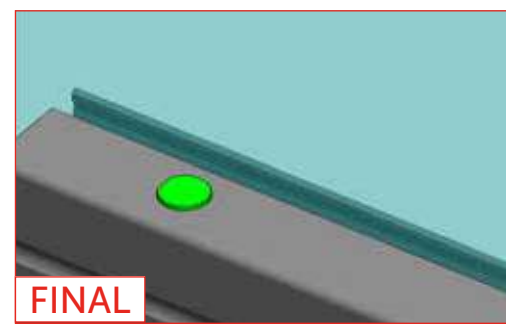
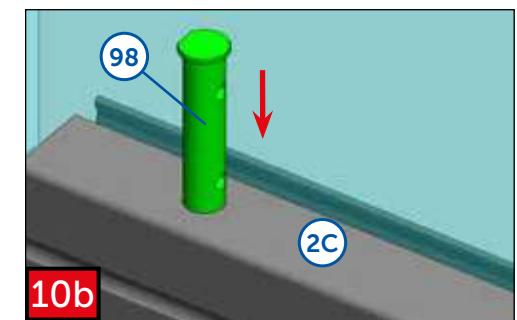
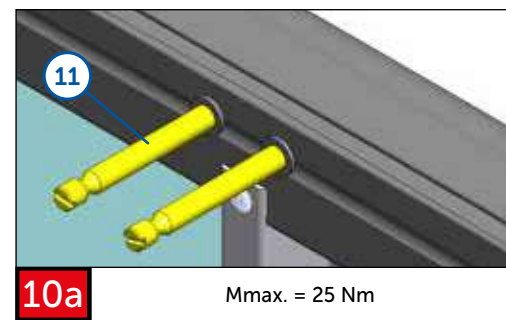
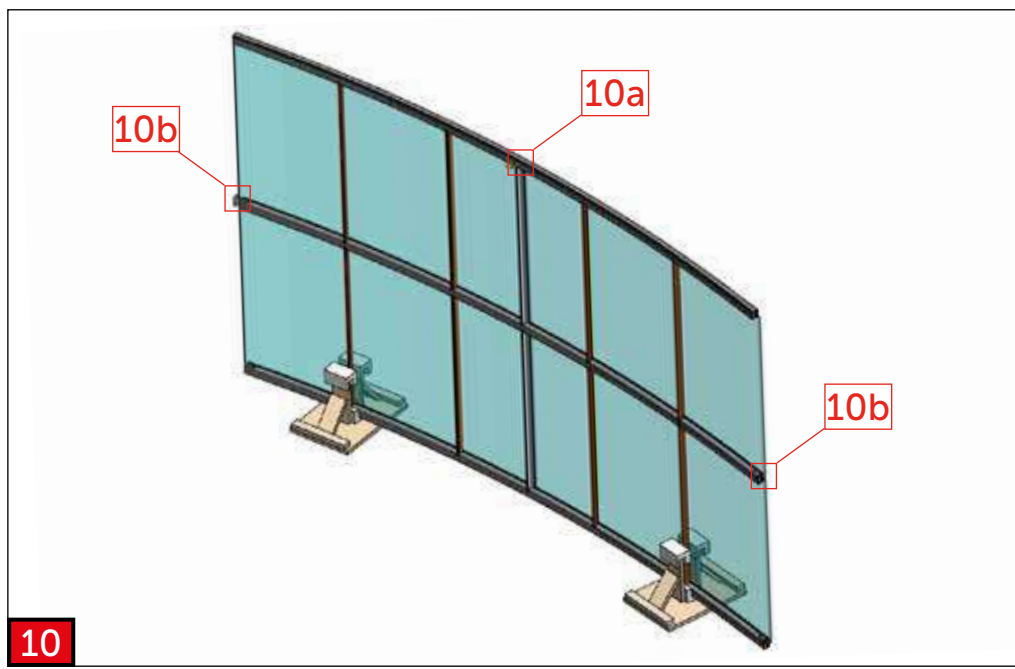
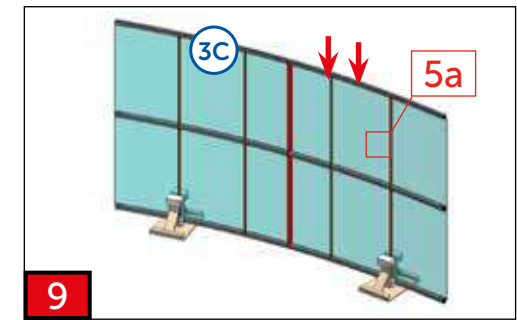
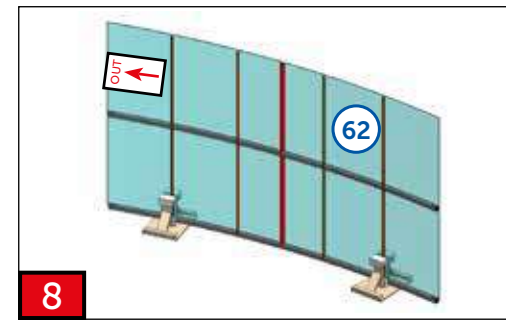
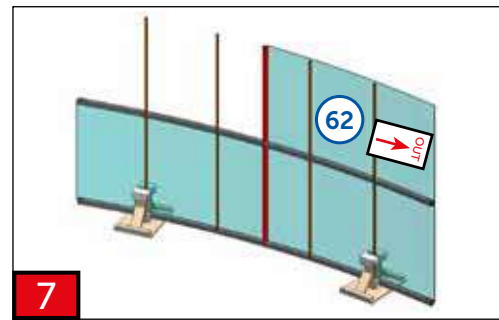
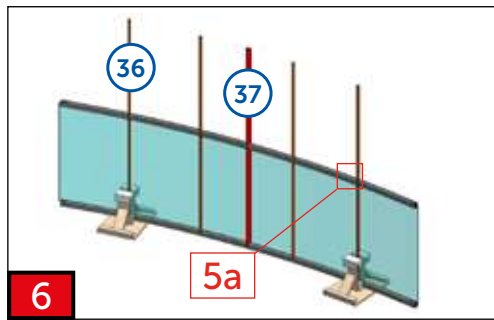
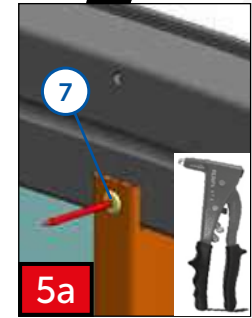
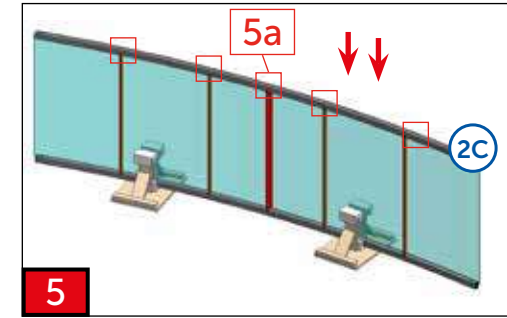
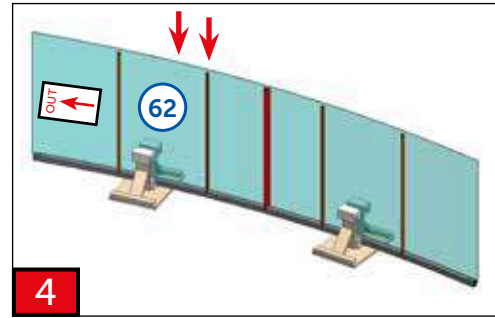
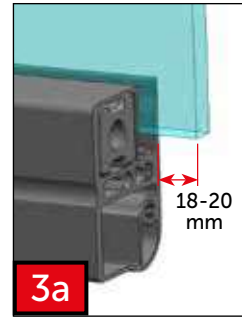
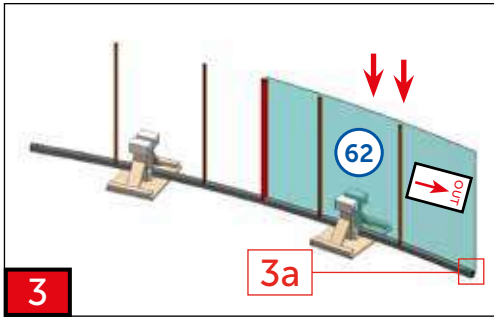


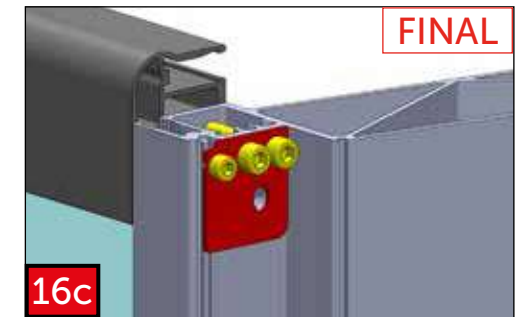
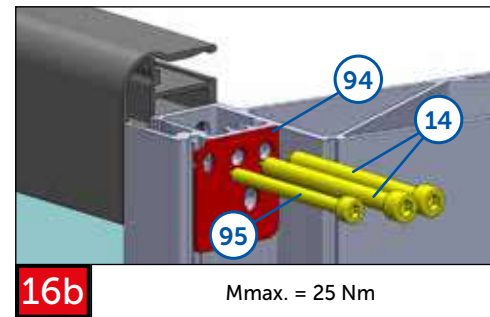
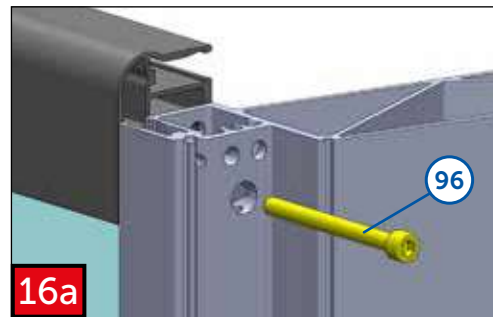
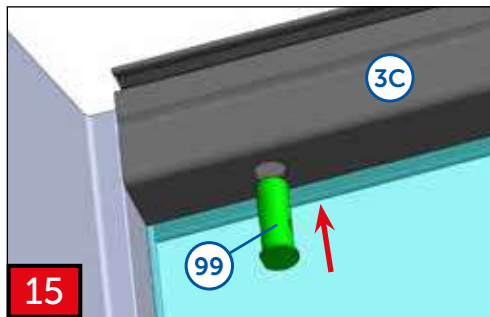
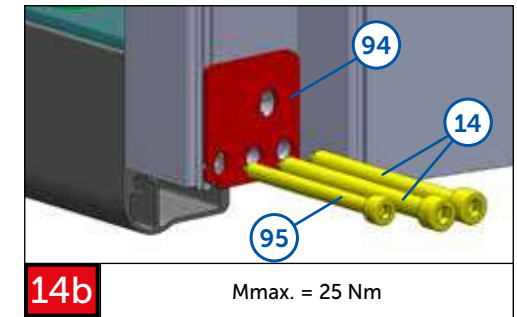
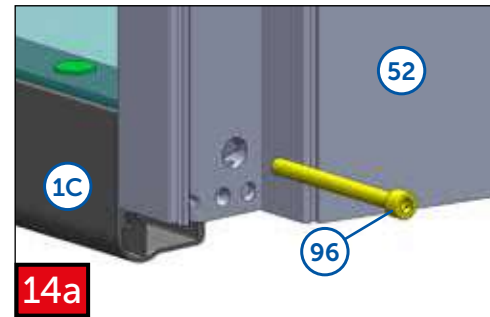
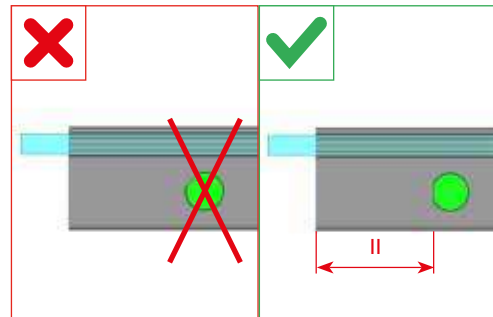
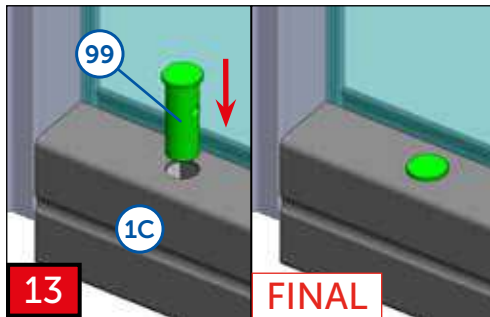
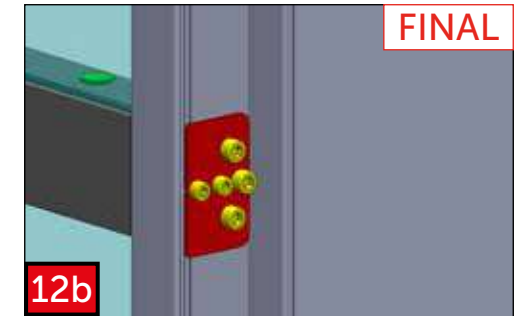
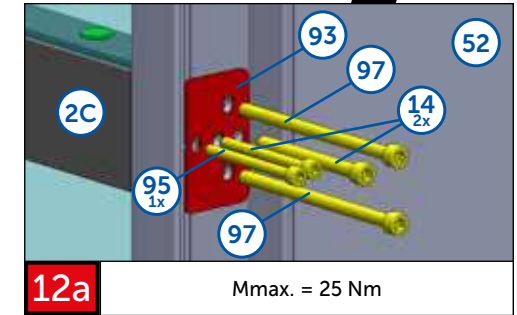
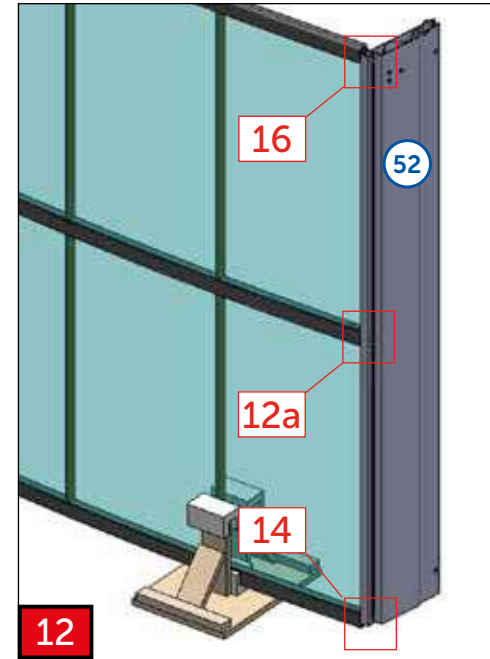
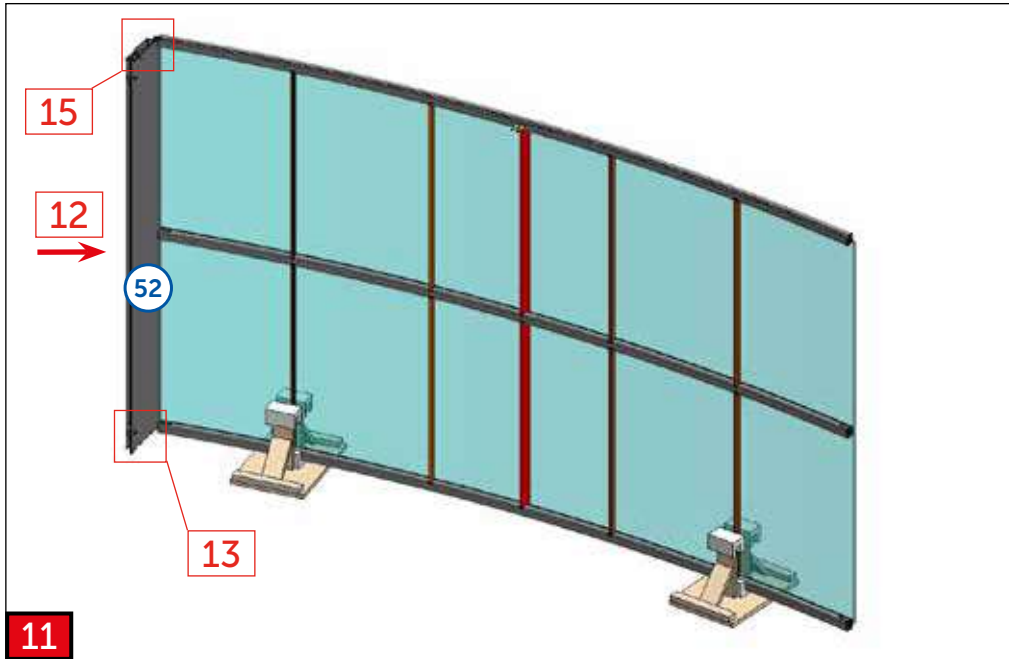
**Pomocný držák pro montáž modulu**  
**Auxiliary holder for the assembly of module**  
**Zusätzliche Halterung für die Modulmontage**  
**Support auxiliaire pour l'assemblage du module**  
**Вспомогательный держатель для сборки модуля**



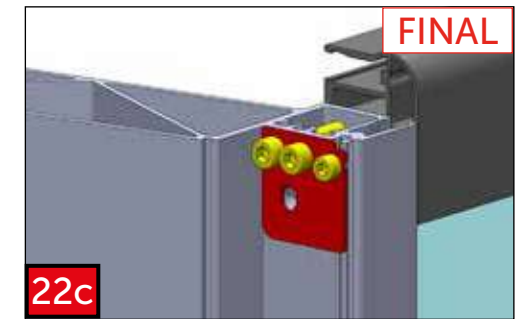
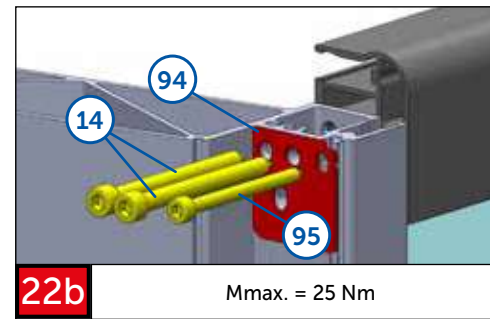
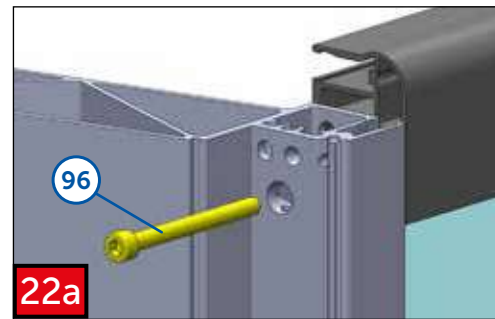
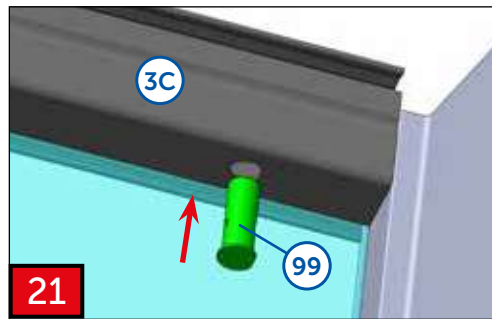
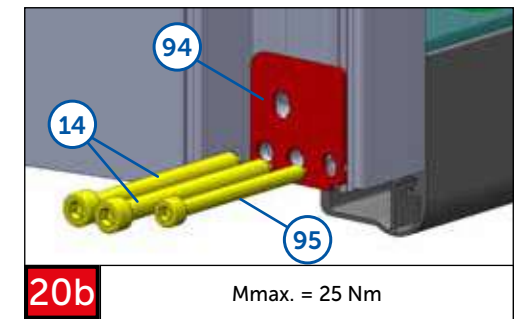
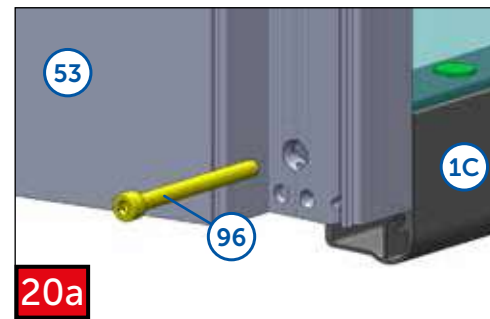
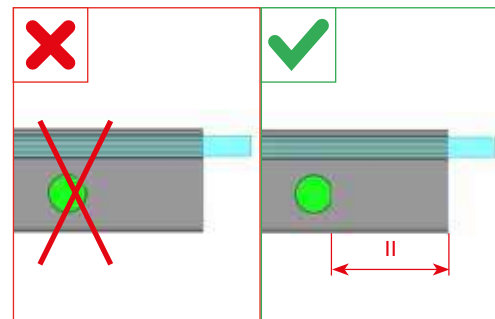
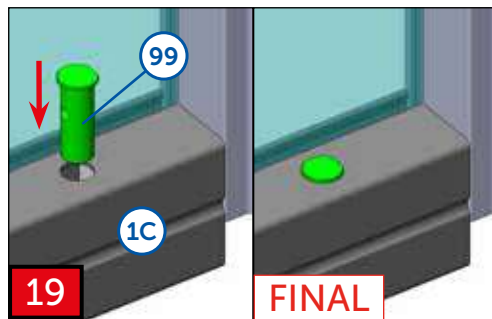
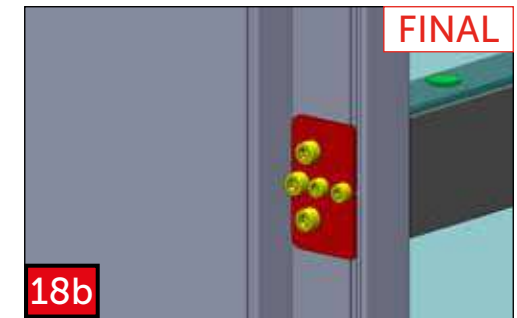
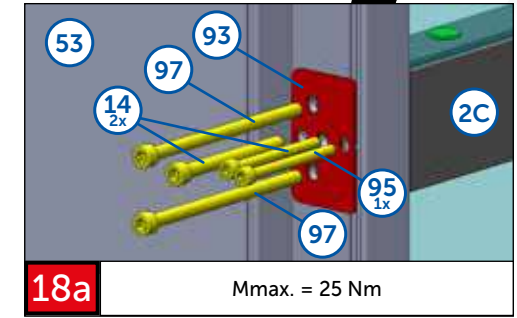
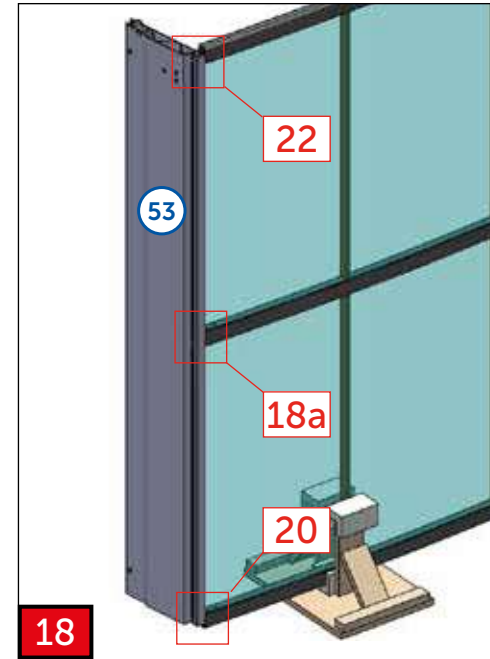
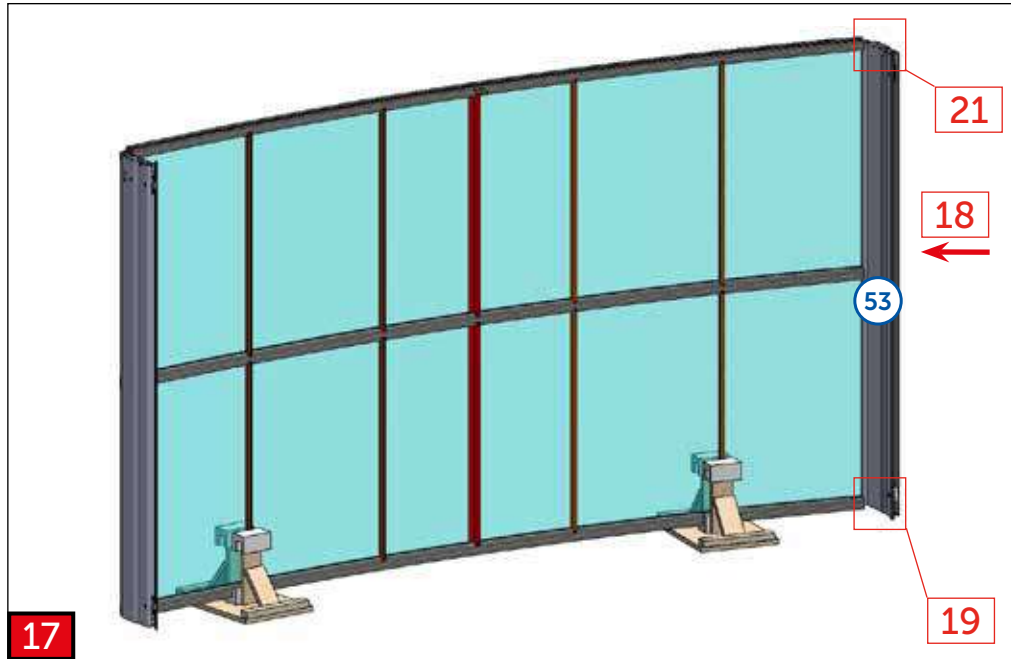
Nutné zajistit modul proti překlopení. Doporučujeme vyrobit držák z balení (prkna + výložky) nebo zajistit jiným způsobem.  
 The module must be secured against falling. We recommend that you make a holder from the transport box (boards + foam liner) or that you secure the module in other safe way.  
 Das Modul muss gegen Umkippen gesichert werden. Wir empfehlen, einen Halter aus der Verpackung (Bretter + Liner) zu machen oder das Modul auf andere Weise zu sichern.  
 Il est nécessaire d'assurer le module contre son renversement. Nous recommandons de fabriquer le support de l'emballage (les planches + les parements) ou de l'assurer autrement.  
 Необходимо обезопасить модуль от опрокидывания. Мы рекомендуем сделать держатель из упаковки (доски + вкладыши) или закрепить его другим способом.

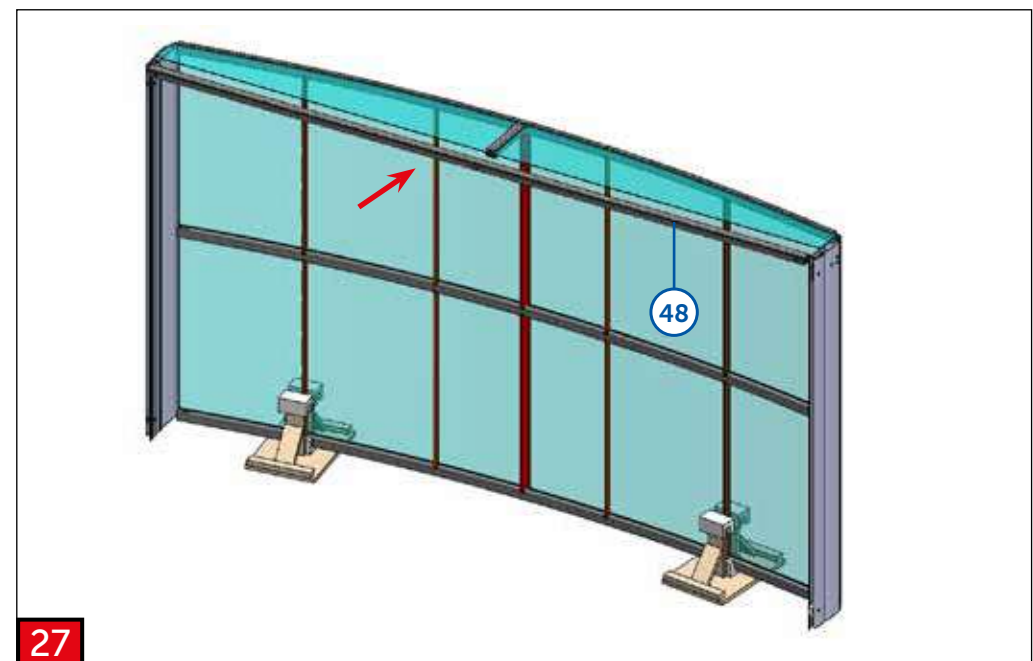
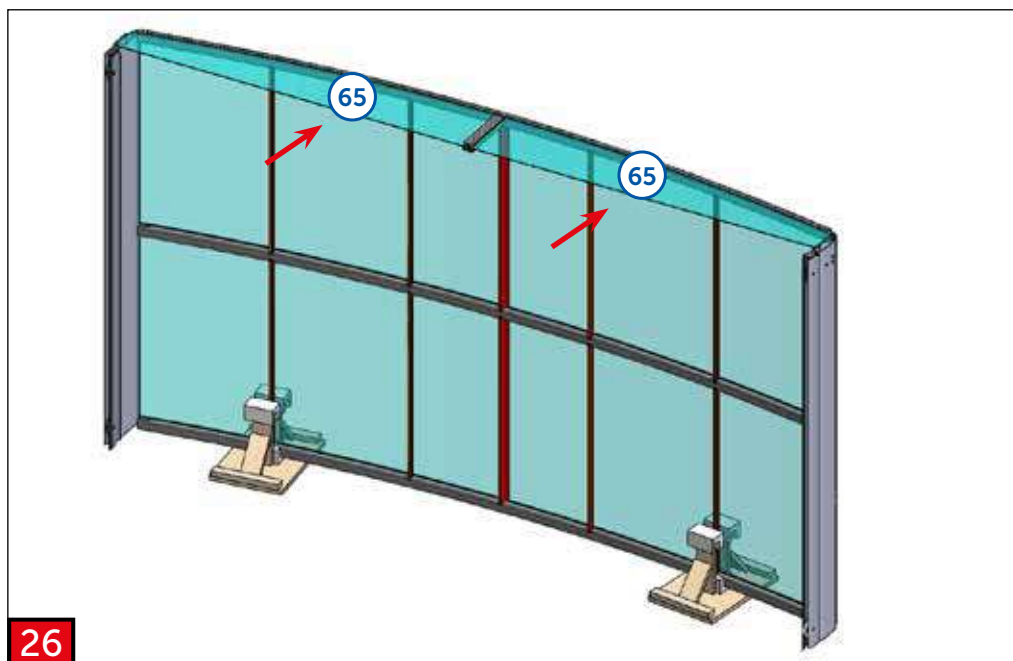
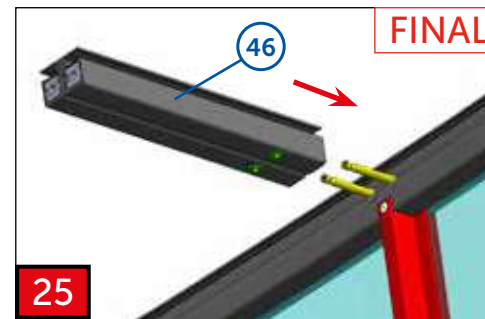
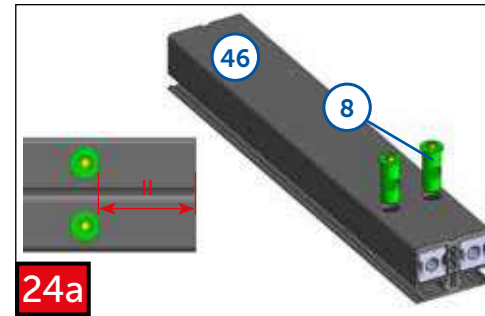
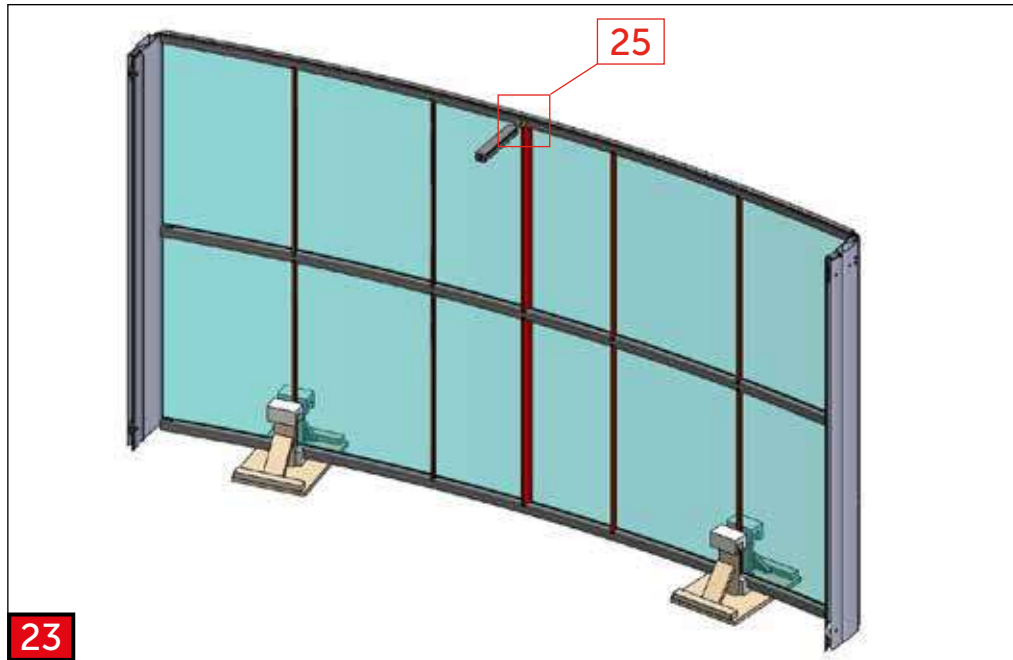


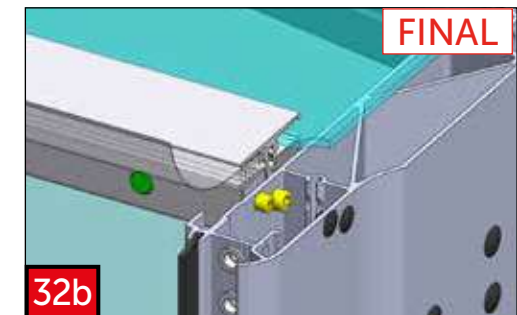
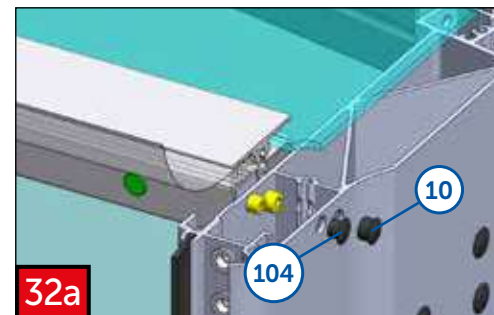
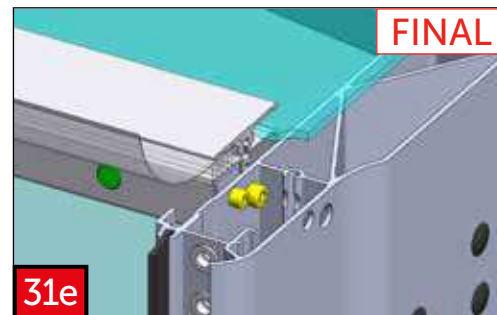
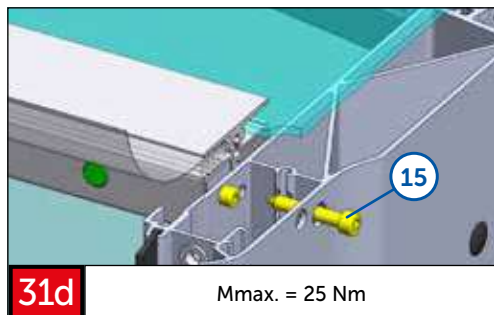
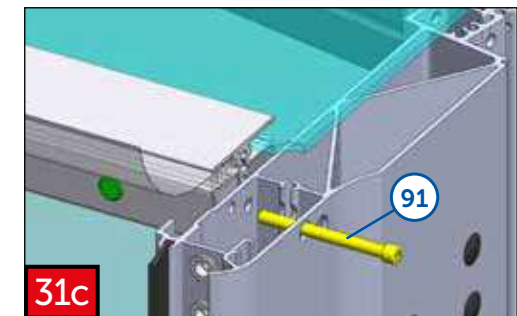
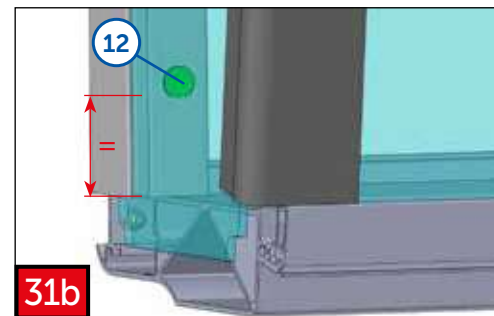
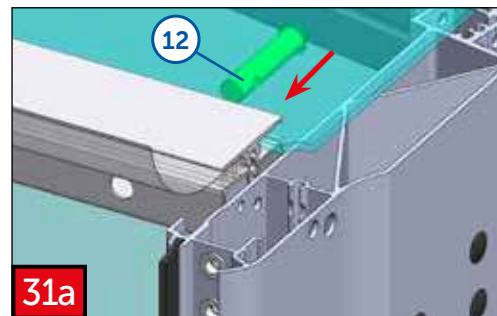
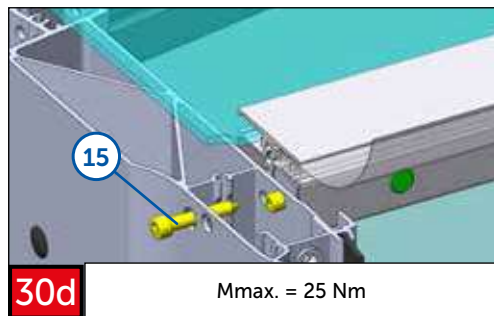
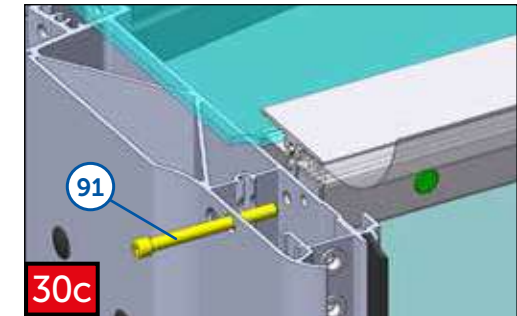
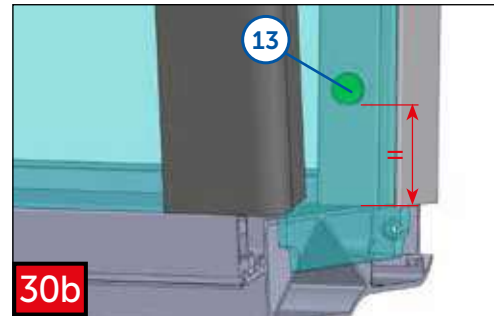
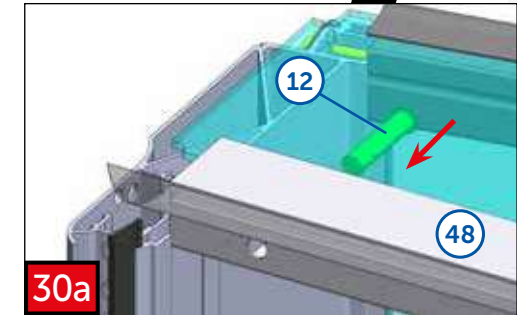
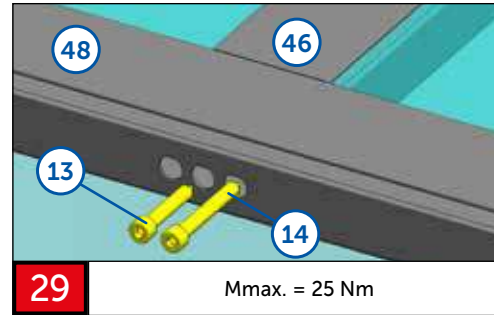
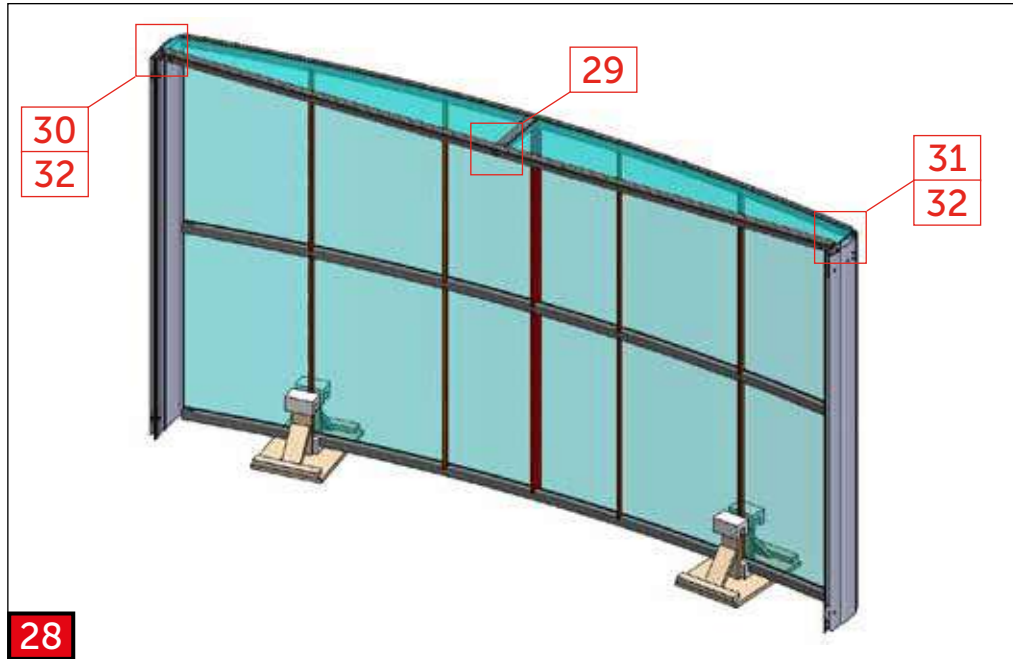




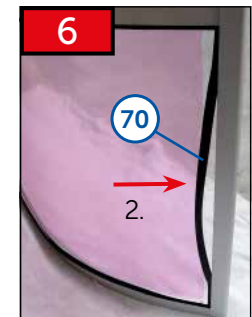
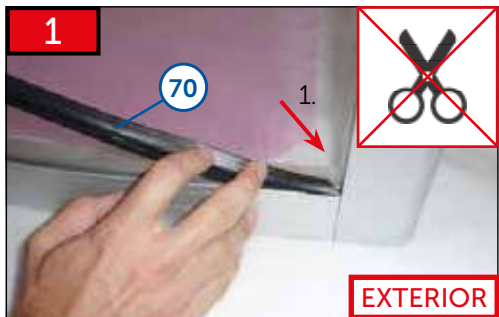
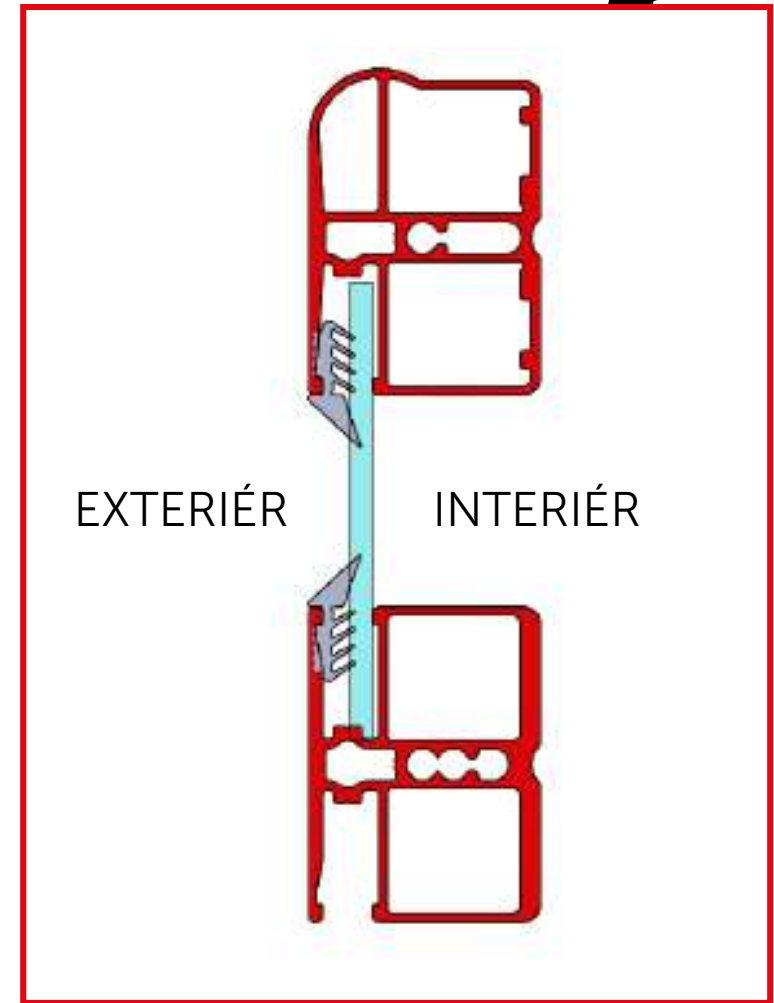
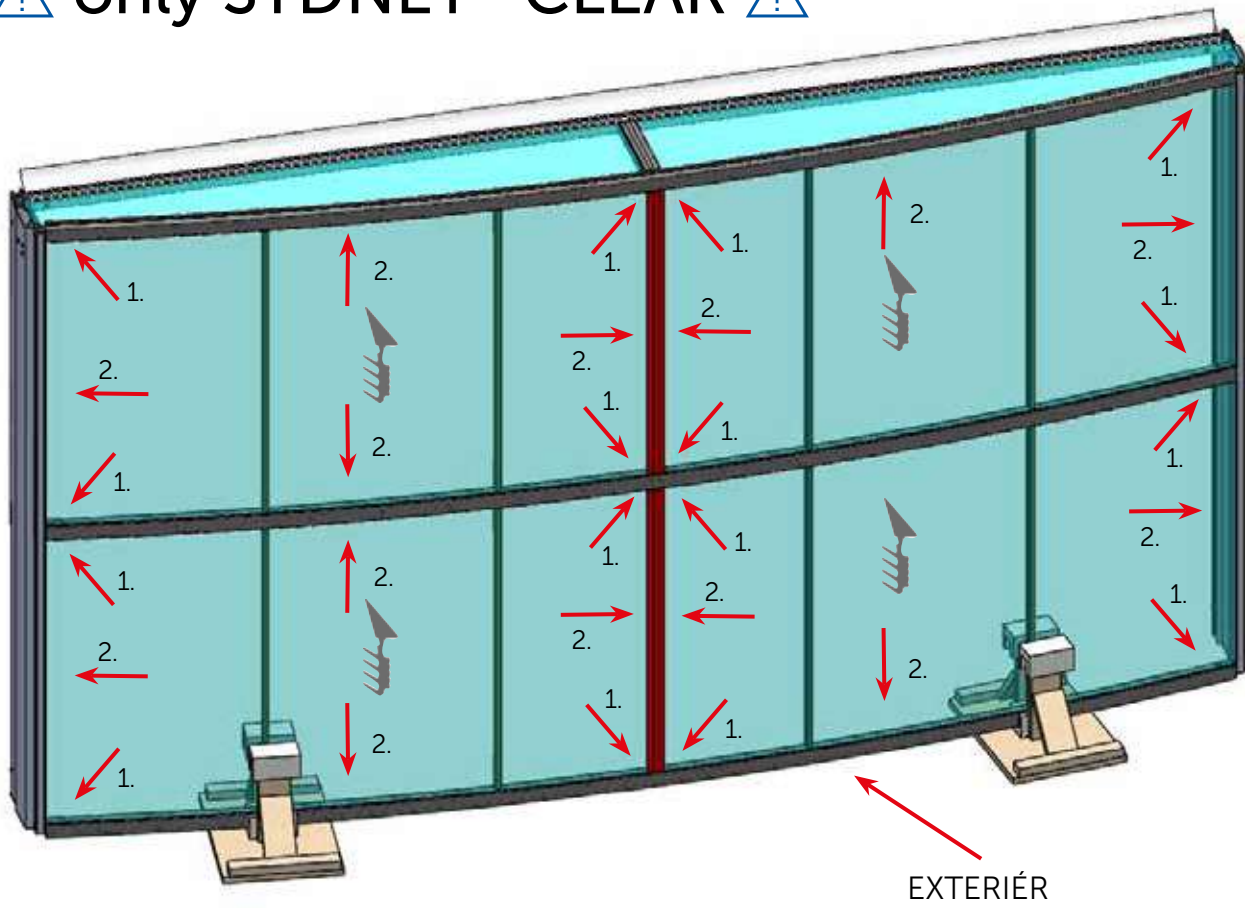


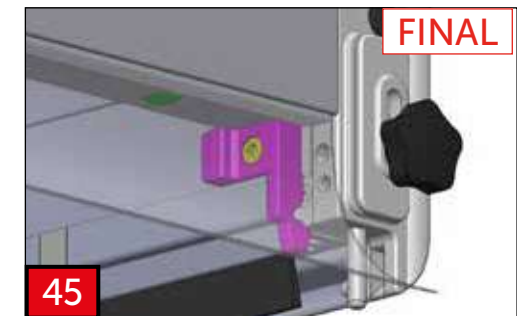
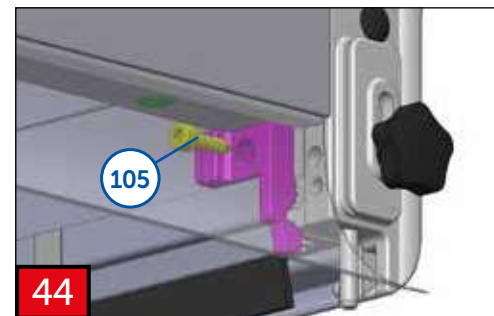
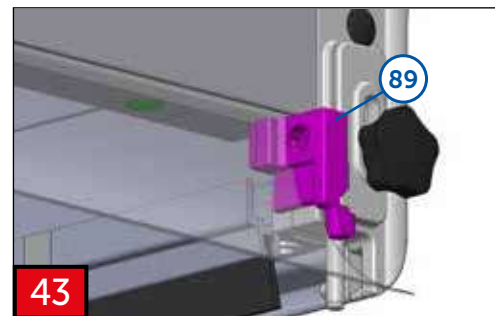
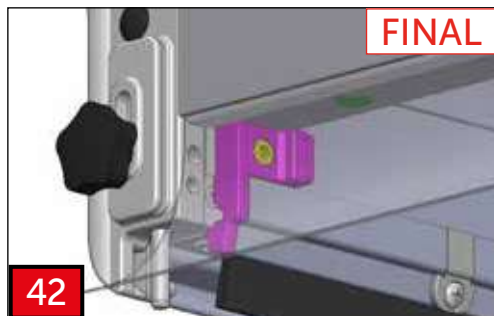
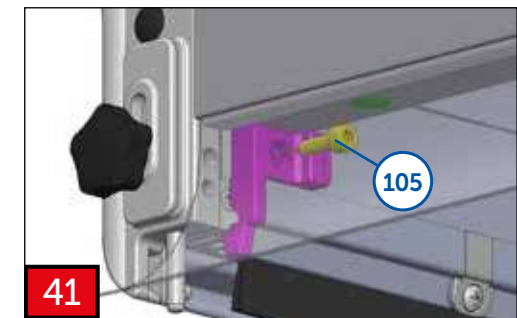
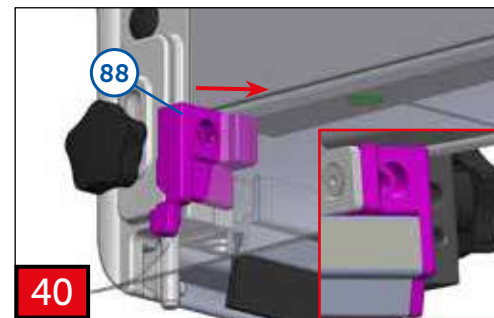
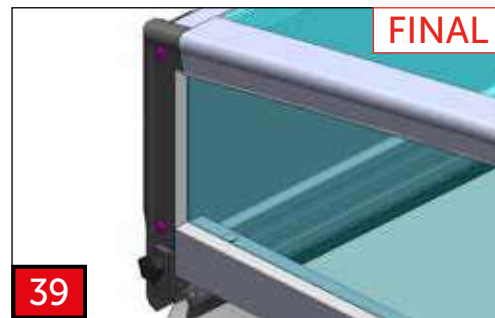
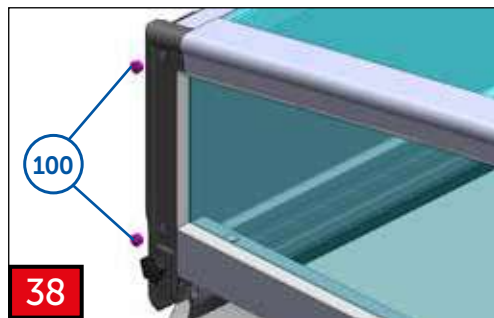
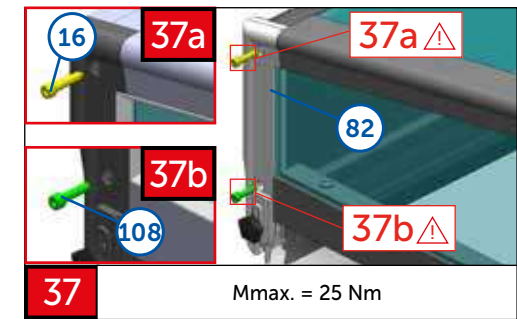
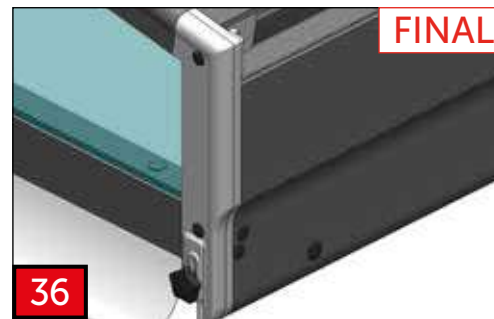
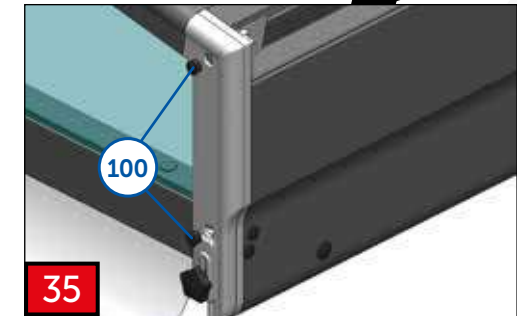
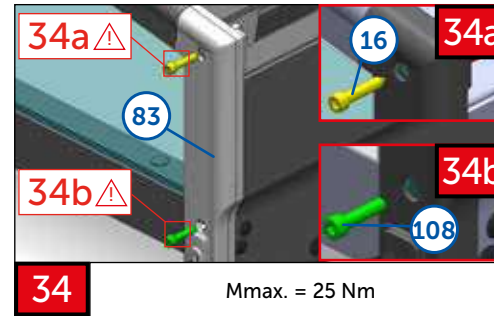
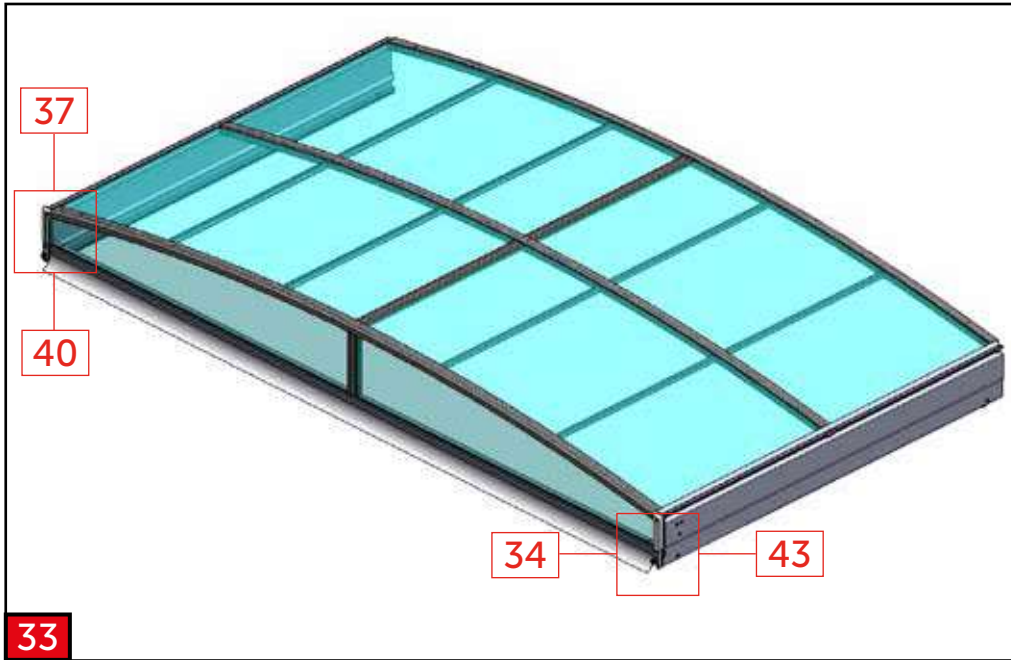


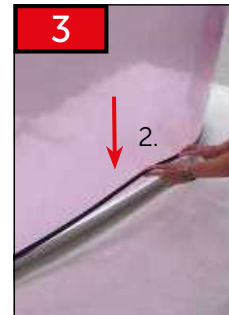
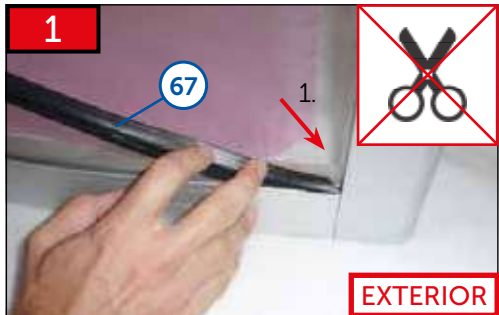
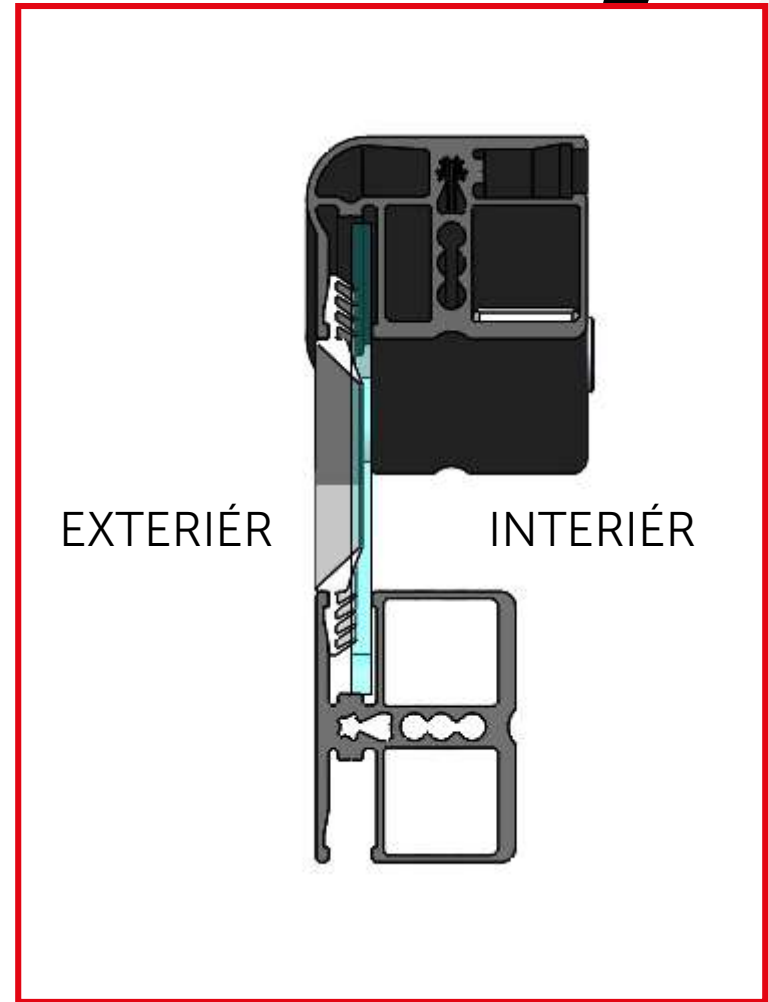
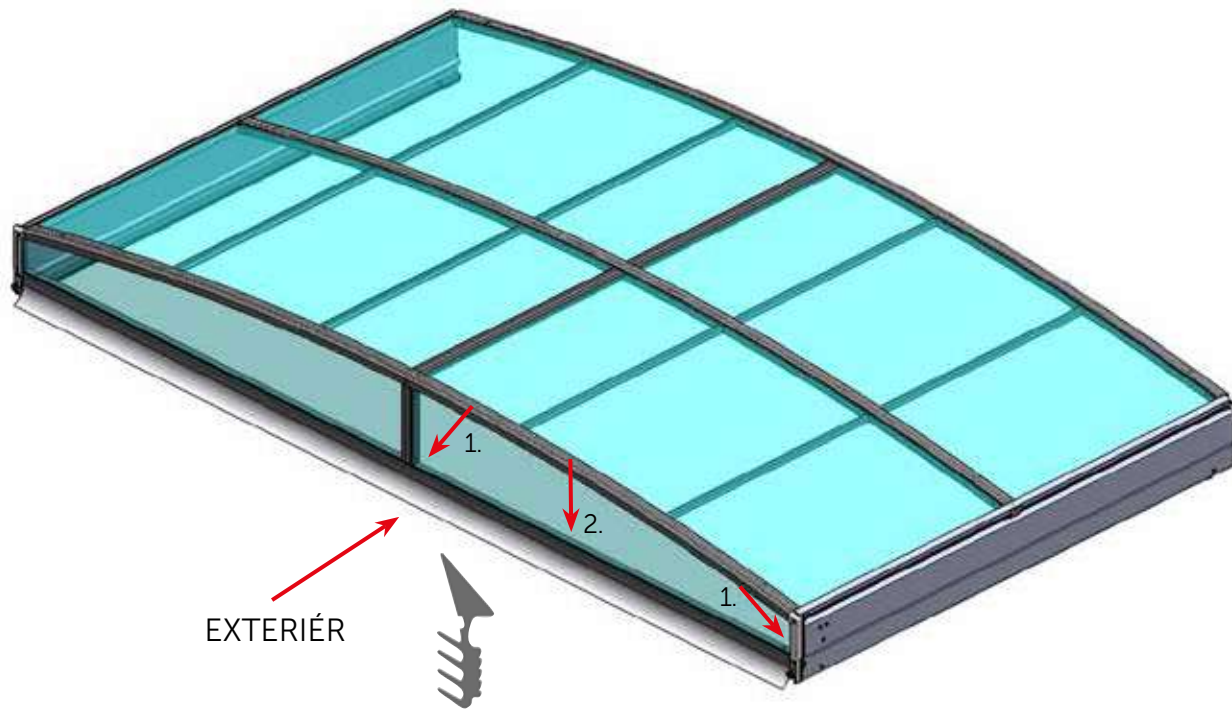


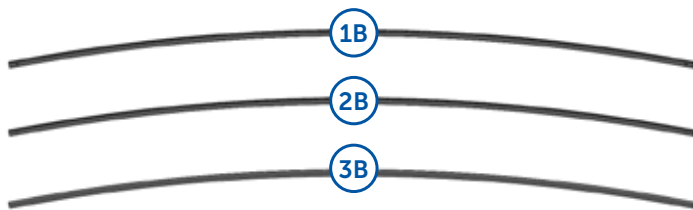


⚠ only SYDNEY CLEAR ⚠









1SP07-01-001

ø4 x 10  
20x

**7**

1SP11-01-031

AN 9051  
6,3 x 70  
12x

**14**

1SP11-01-053

AN 9051  
6,3 x 32  
6x

**16**

1NA03-01-050

1x

**17**

Sydney A/ Clear A 2Z04-01-SD001	1041 mm
Sydney AS/ Clear AS 2Z04-01-SD004	906 mm

8x

**36**

Sydney A/ Clear A 2Z05-01-SD001	1041 mm
Sydney AS/ Clear AS 2Z05-01-SD005	906 mm

2x

**37**

Sydney A/ Clear A 2Z02-09-SD027	2150 mm
Sydney AS/ Clear AS 2Z02-09-SR028	1880 mm

2x

**58**

1SP10-01-084

ISO 7380  
M 6x20  
2x

**92**

1SZ18-02-010

2x

**93**

1SZ18-02-012

4x

**94**

1SP11-01-049

AN 9051  
4,8x60  
6x

**95**

1SP10-01-078

DIN 912  
M 6x65  
4x

**96**

1SP10-01-082

DIN 912  
M 6x100  
4x

**97**

1SZ03-01-038

2x

**98**

1SZ03-01-030

4x

**99**

1SZ12-01-010

8x

**100**

1SP10-01-025

DIN912  
M6x25  
2x

**108**

**MODUL B**

"KL" = "KP"

Sydney A/ Clear A 2Z02-09-SR003	2150 mm
Sydney AS/ Clear AS 2Z02-09-SR013	1880 mm

1x

**54**

**MODUL B**

"KL" = "KP"

Sydney A/ Clear A 2Z02-09-SR004	2150 mm
Sydney AS/ Clear AS 2Z02-09-SR014	1880 mm

1x

**55**

Sydney A/ Clear A	1859 x 1050 mm
Sydney AS/ Clear AS	1859 x 915 mm

MODUL B

4x

61

MODUL B

2Z09-01-SD072

1x

76

MODUL B

2Z09-01-SD073

1x

77

MODUL B

2Z09-01-SD074

1x

78

MODUL B

2Z09-01-SD075

1x

79

MODUL B

1x

1SZ18-02-001D

OPTIONAL "KL"

3

MODUL B

1x

1SZ18-02-002D

OPTIONAL "KP"

4



**Pomocný držák pro montáž modulu**  
**Auxiliary holder for the assembly of module**  
**Zusätzliche Halterung für die Modulmontage**  
**Support auxiliaire pour l'assemblage du module**  
**Вспомогательный держатель для сборки модуля**



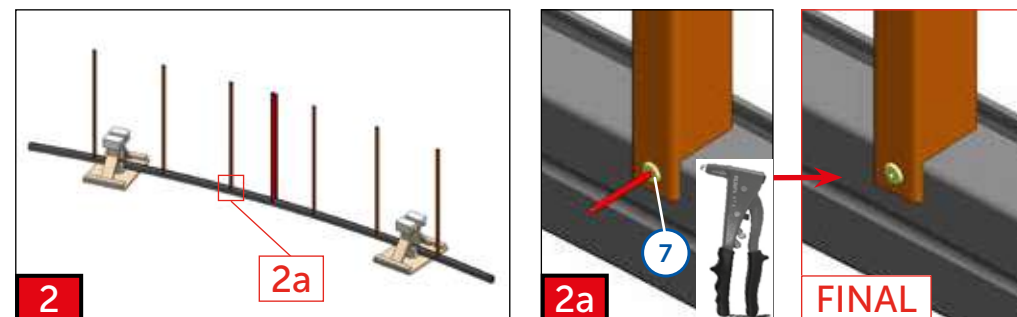
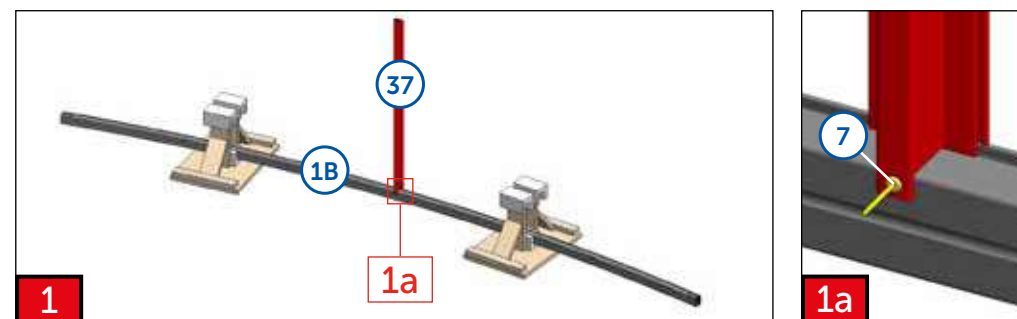
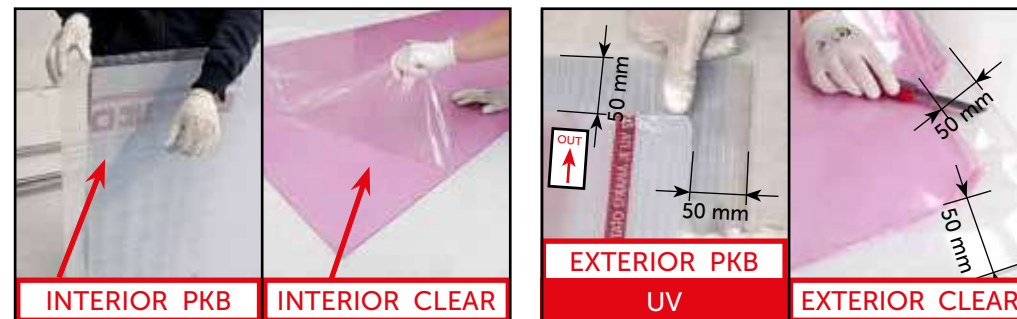
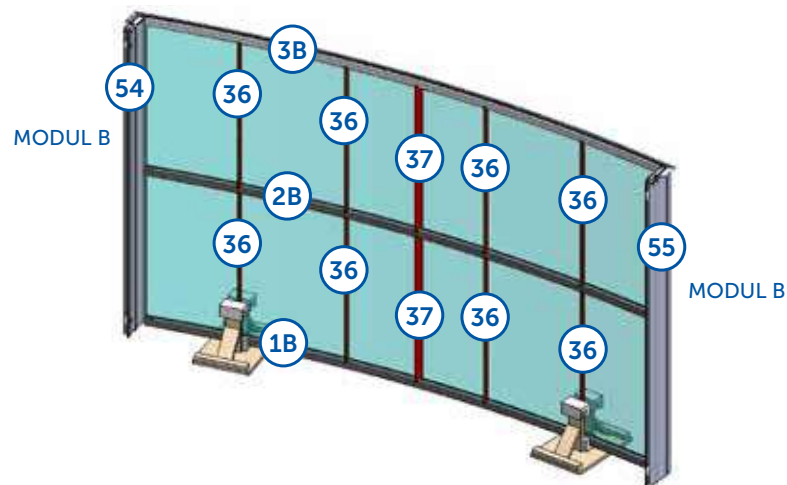
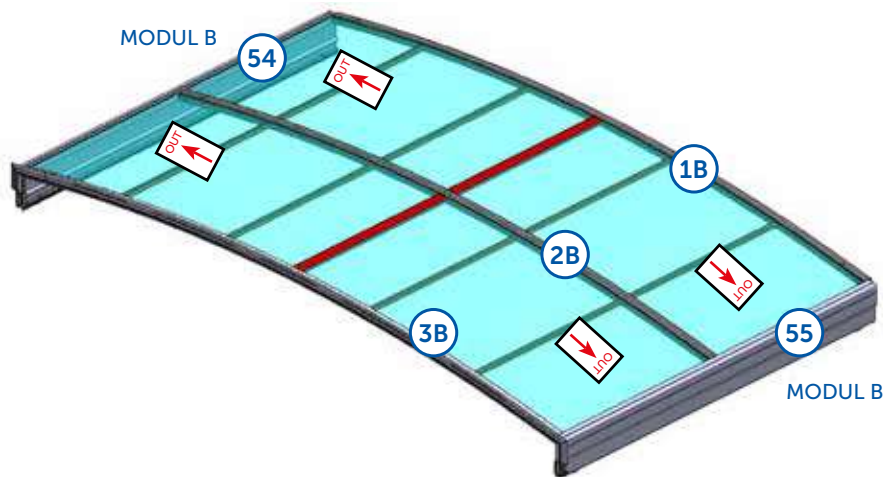
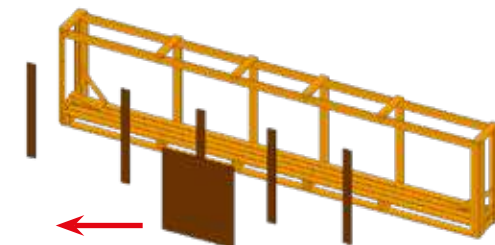
Nutné zajistit modul proti překlopení. Doporučujeme vyrobit držák z balení (prkna + výložky) nebo zajistit jiným způsobem.

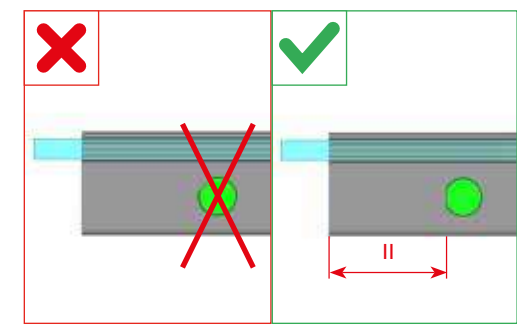
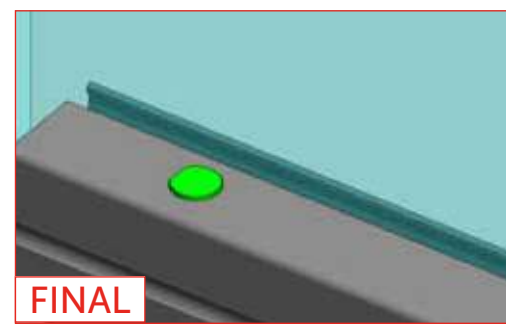
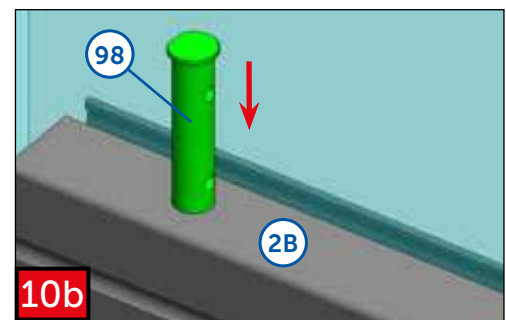
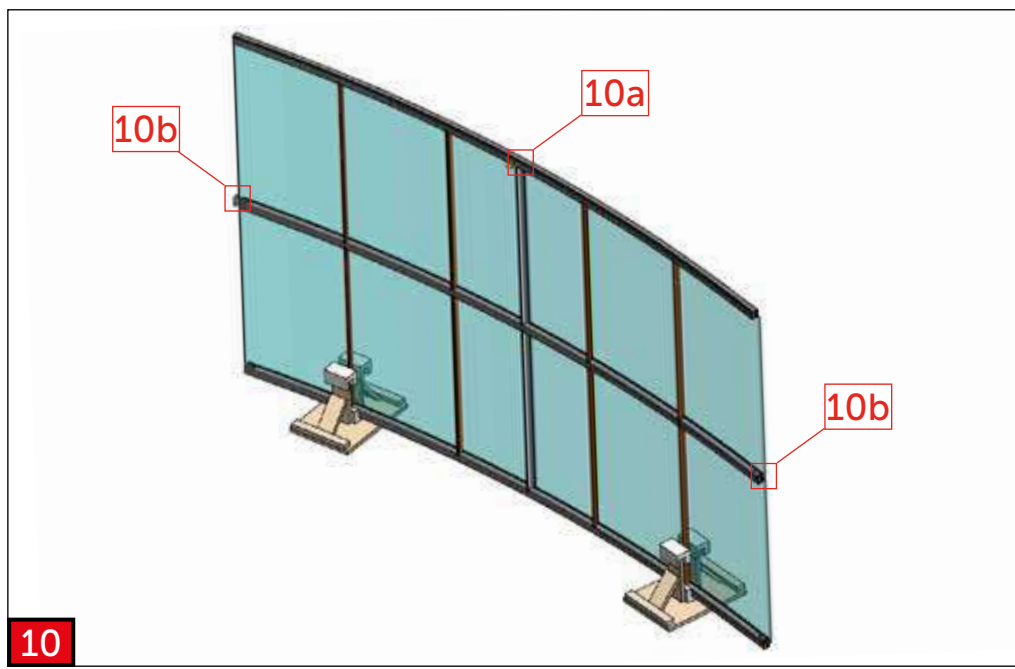
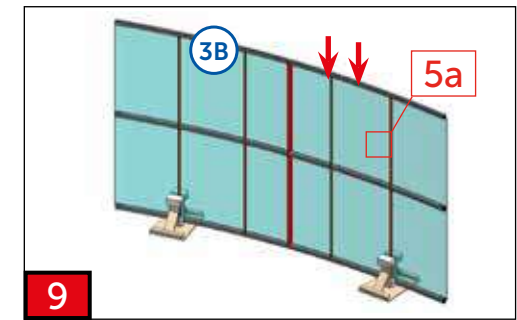
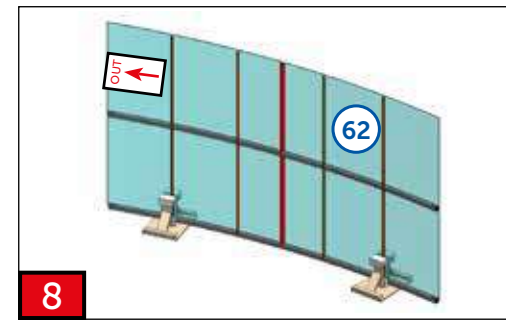
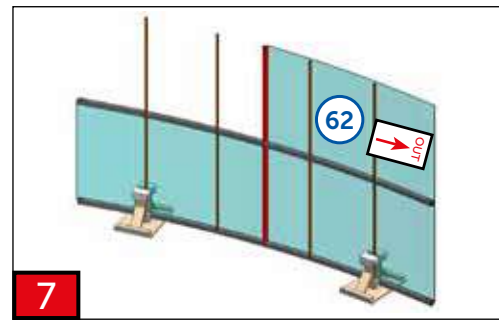
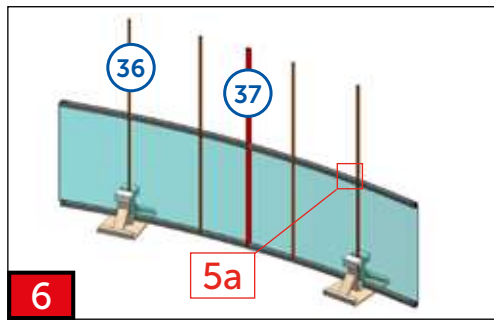
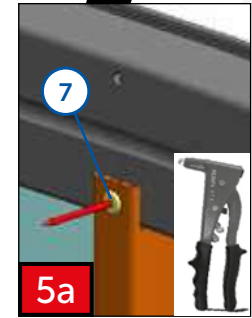
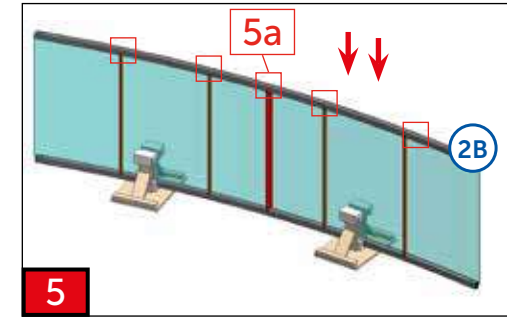
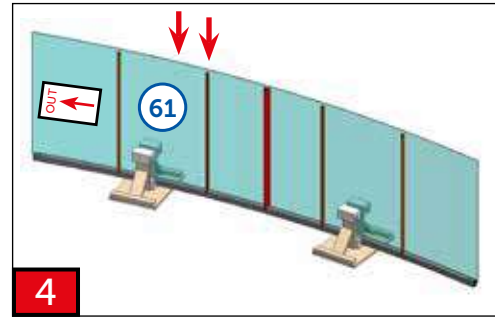
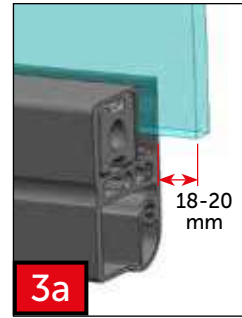
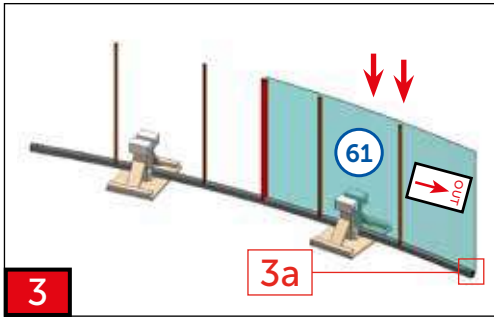
The module must be secured against falling. We recommend that you make a holder from the transport box (boards + foam liner) or that you secure the module in other safe way.

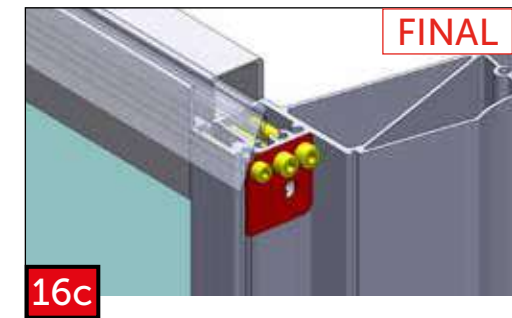
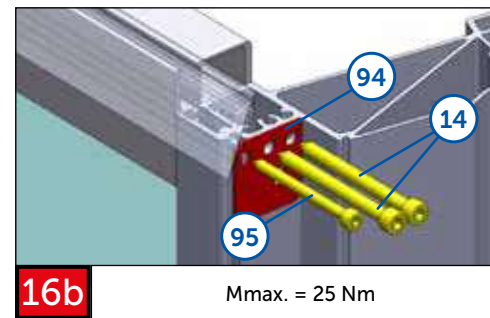
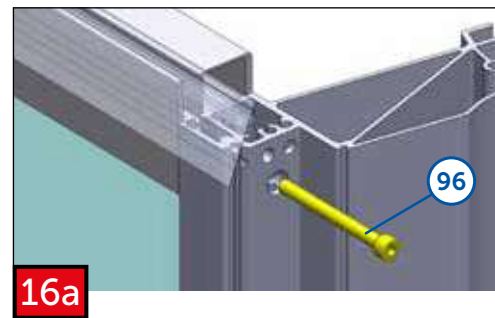
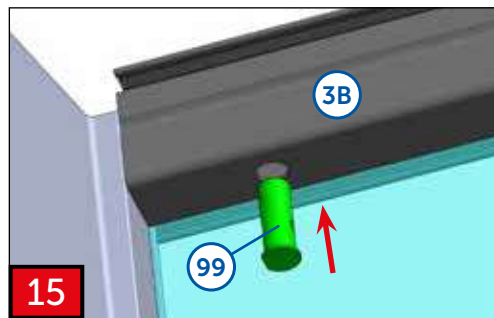
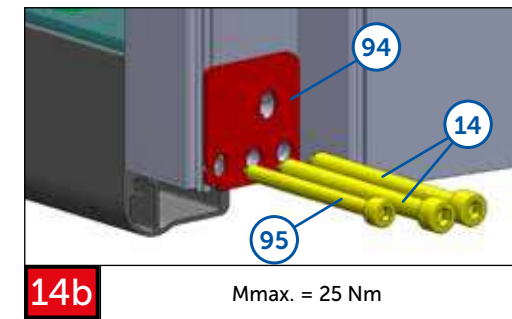
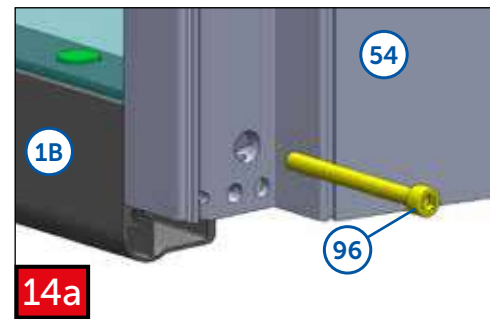
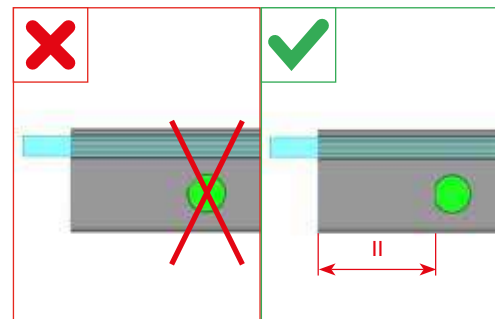
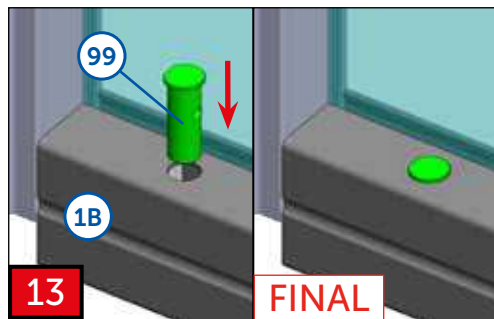
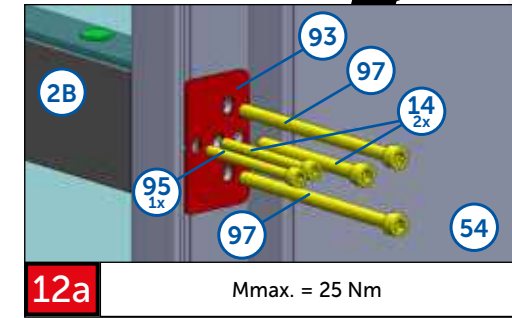
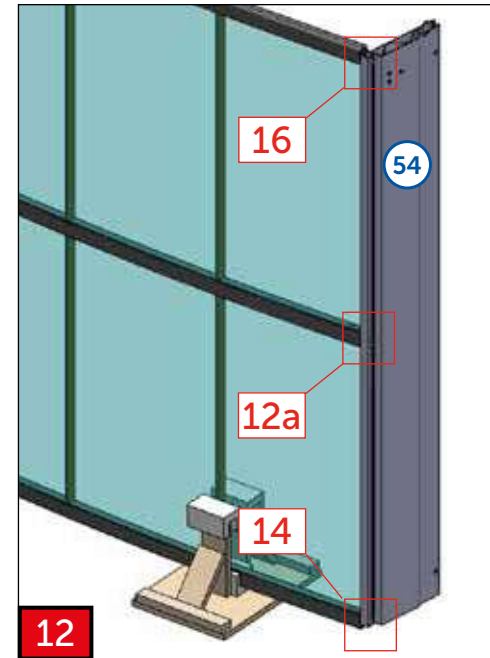
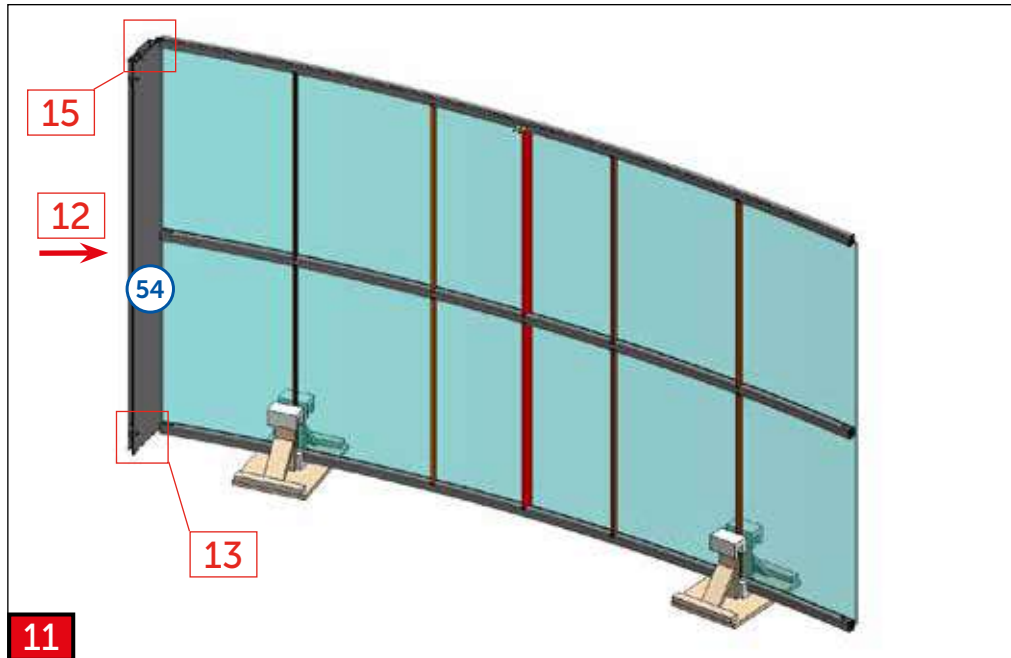
Das Modul muss gegen Umkippen gesichert werden. Wir empfehlen, einen Halter aus der Verpackung (Bretter + Liner) zu machen oder das Modul auf andere Weise zu sichern.

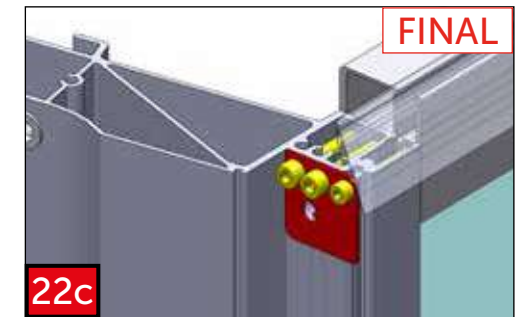
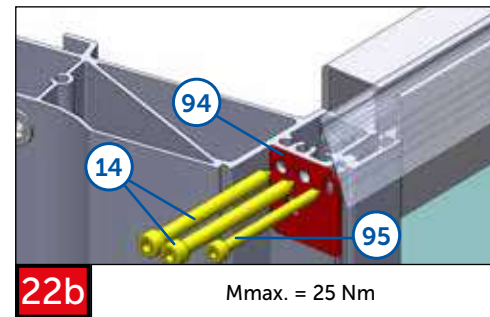
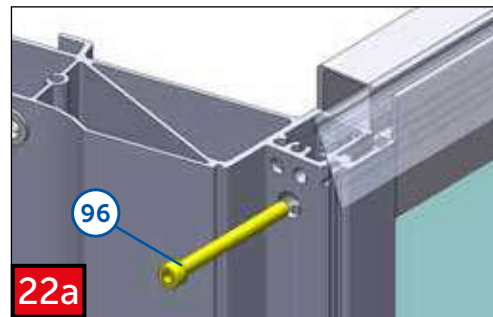
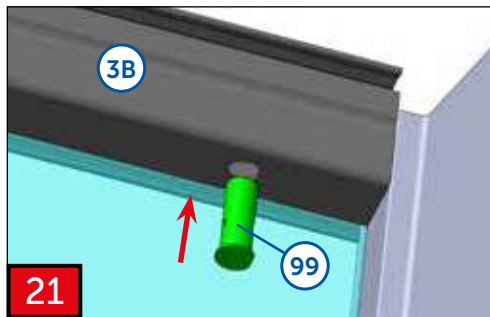
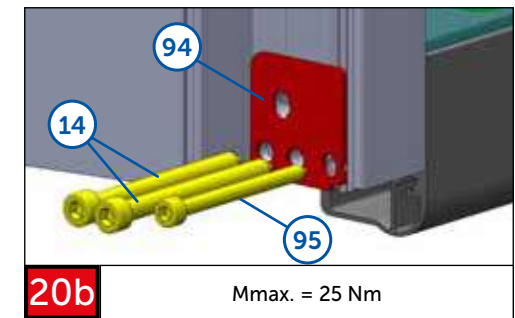
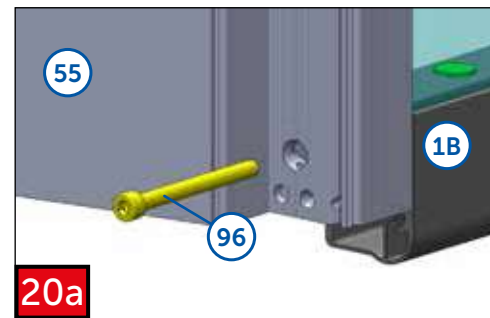
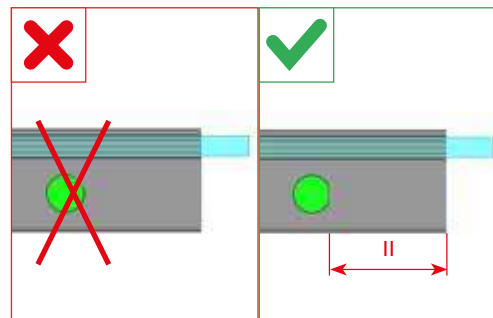
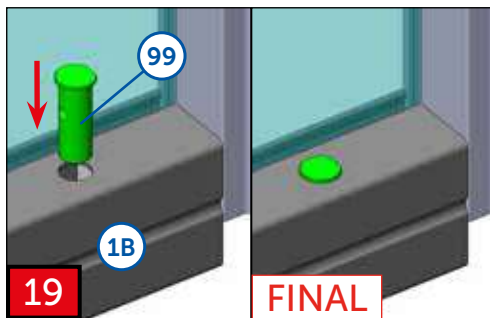
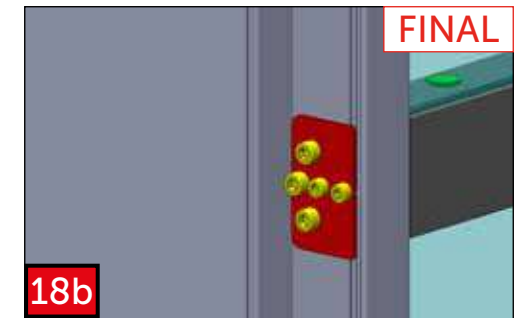
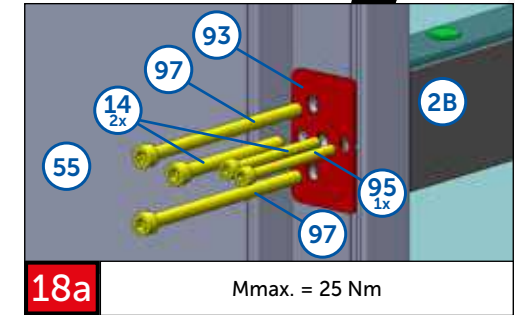
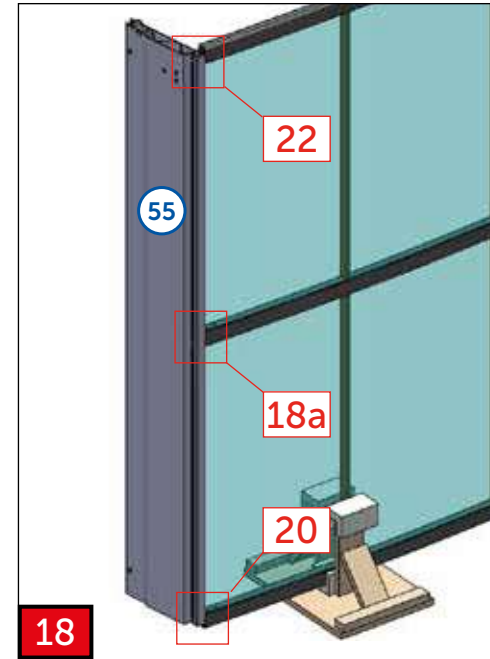
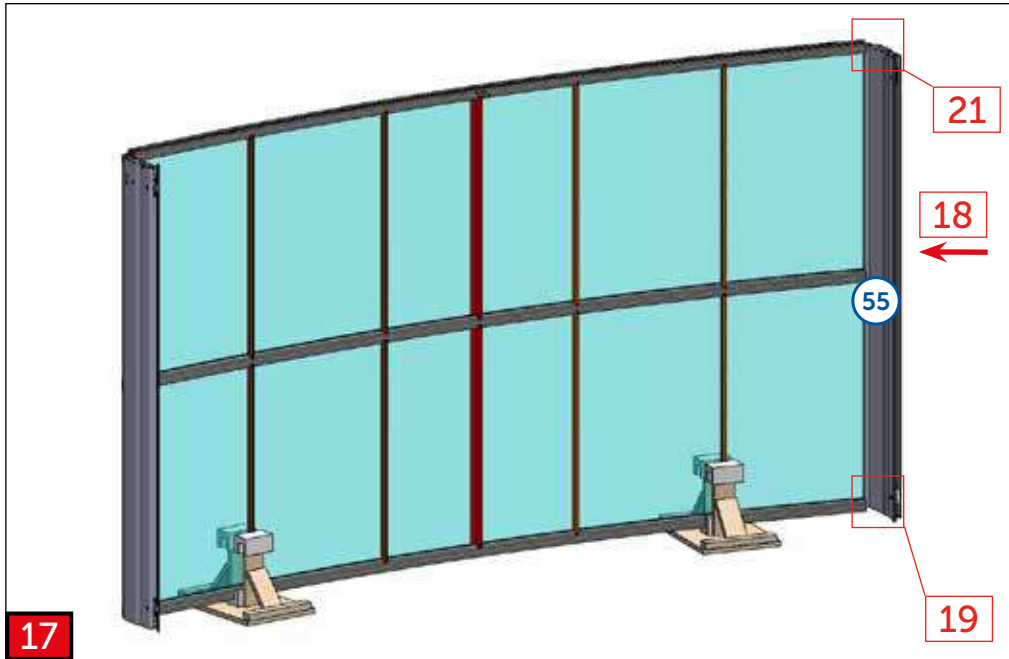
Il est nécessaire d'assurer le module contre son renversement. Nous recommandons de fabriquer le support de l'emballage (les planches + les parements) ou de l'assurer autrement.

Необходимо обезопасить модуль от опрокидывания. Мы рекомендуем сделать держатель из упаковки (доски + вкладыши) или закрепить его другим способом.

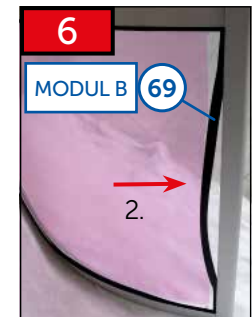
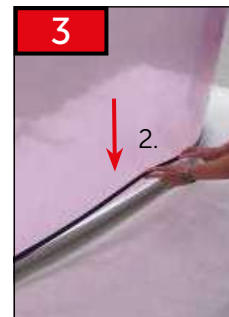
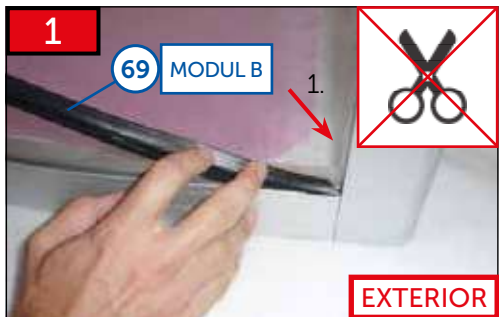
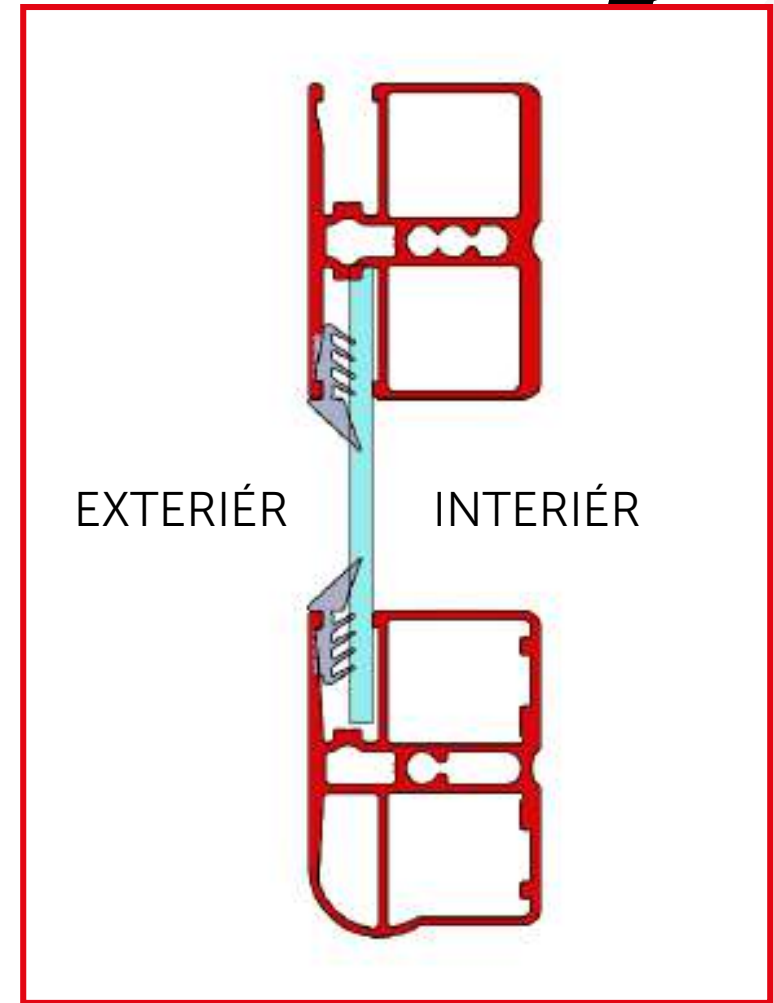
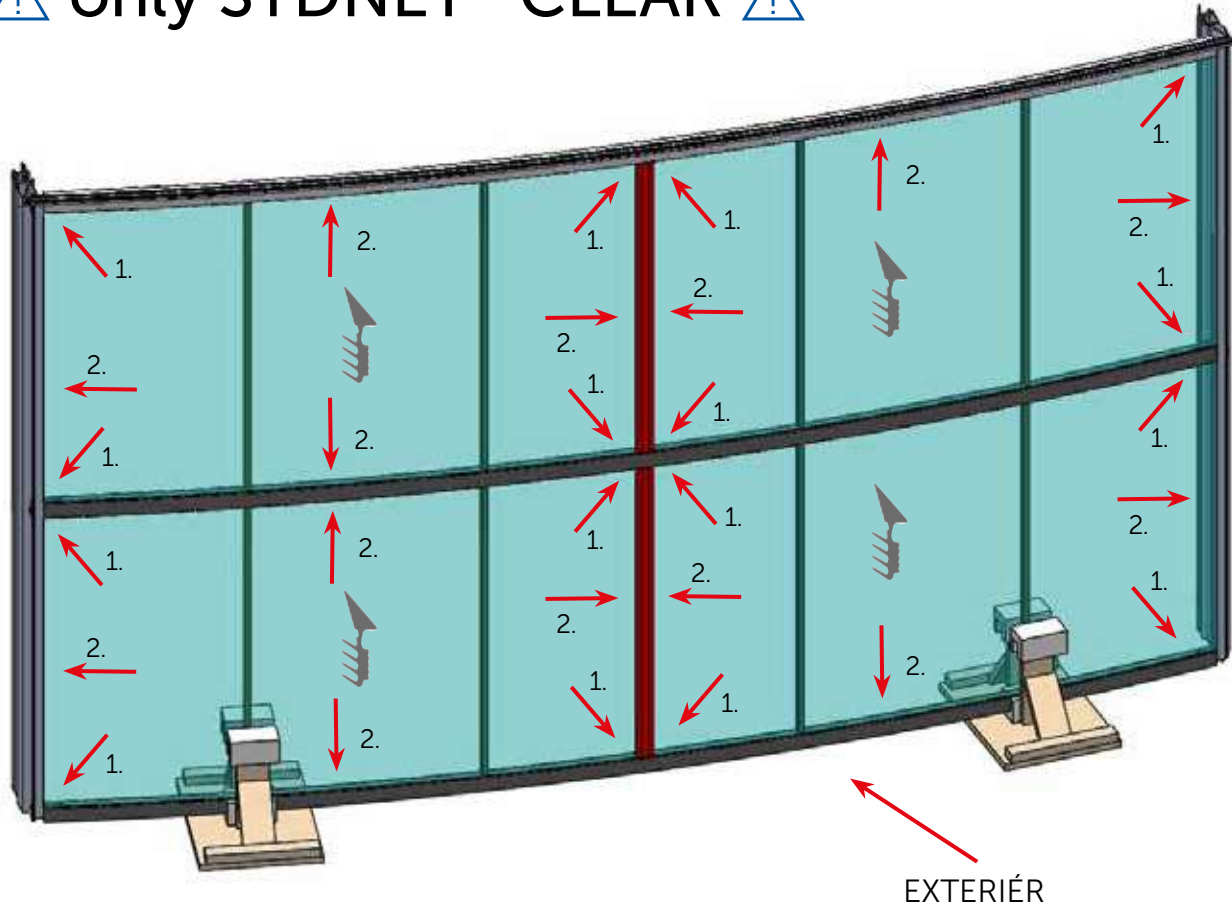


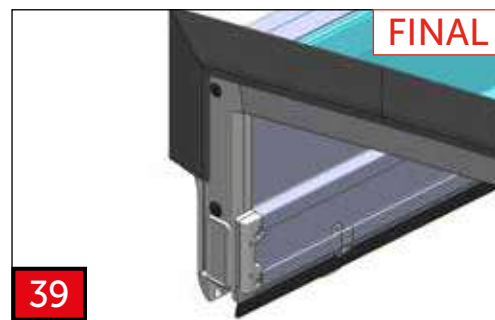
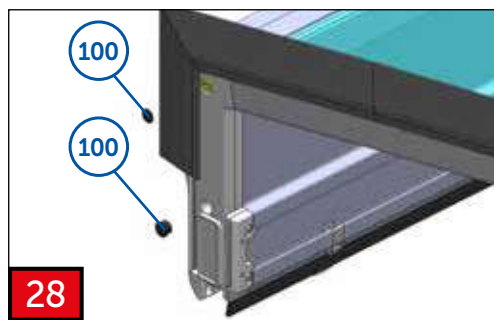
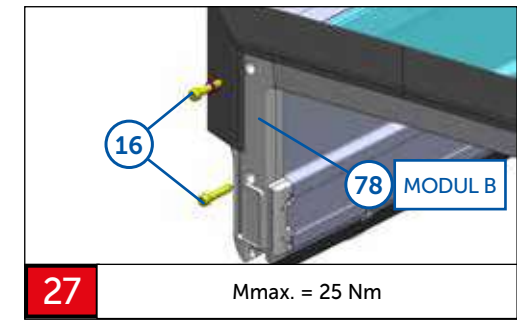
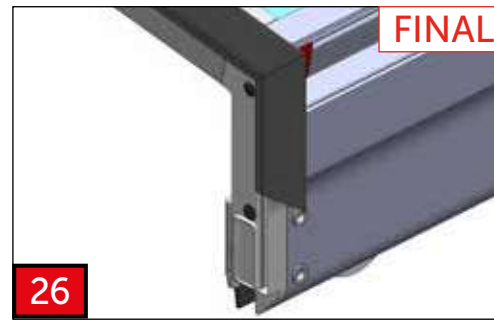
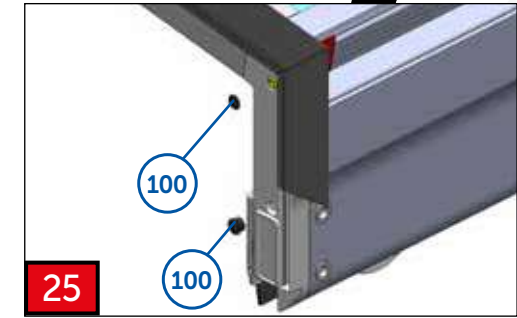
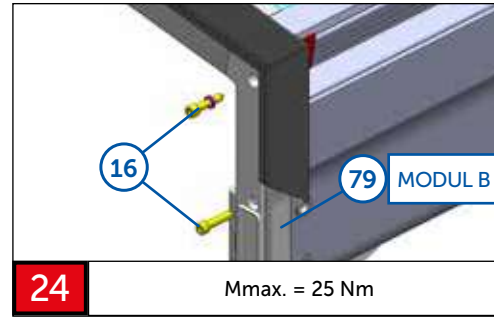
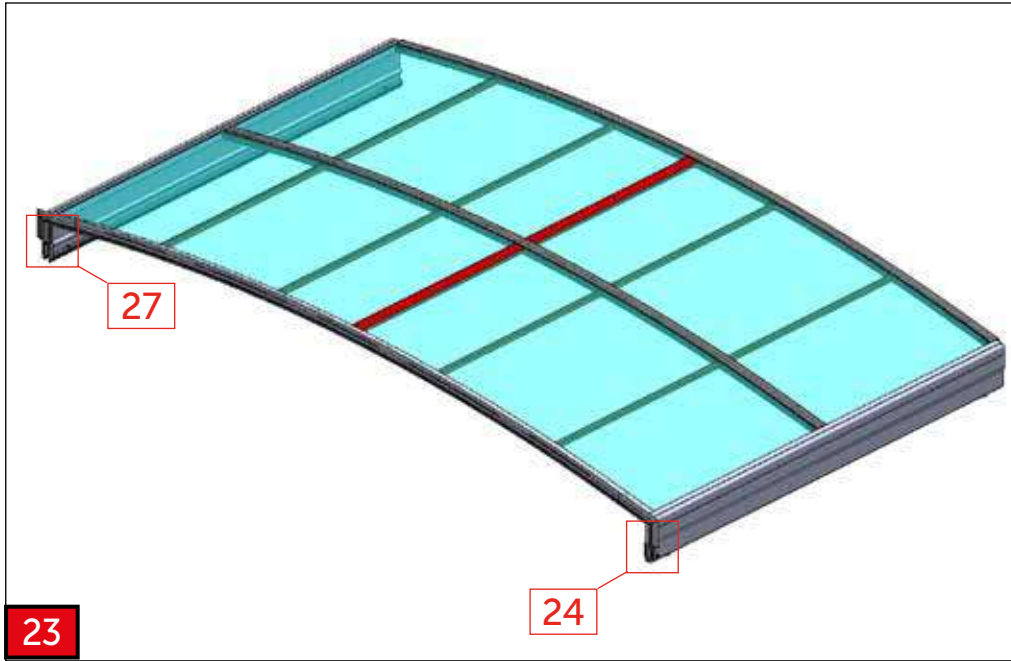


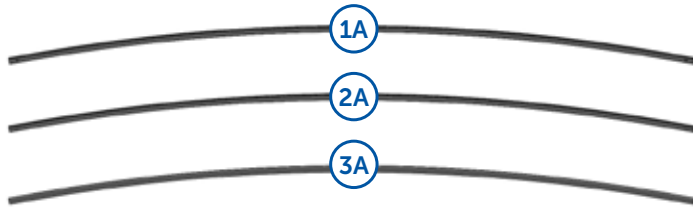




### ⚠ only SYDNEY CLEAR ⚠







1SP07-01-001

ø4 x 10
20x

7

1SZ03-01-035

DIN 914
M6x14
2x

8

1SZ29-01-008

2x
----

11

1SZ03-01-040

2x
----

12

1SP11-01-029

AN 9051
6,3 x 50
1x

13

1SP11-01-031

AN 9051
6,3 x 70
13x

14

1SP11-01-027

AN 9051
6,3 x 38
2x

15

1SP11-01-053

AN 9051 A4
6,3 x 32
6x

16

1NA03-01-050

1x
----

17

Sydney A/ Clear A 2Z04-01-SD001	1041 mm
Sydney AS/ Clear AS 2Z04-01-SD004	906 mm
8x	

36

Sydney A/ Clear A 2Z05-01-SD001	1041 mm
Sydney AS/ Clear AS 2Z05-01-SD005	906 mm
2x	

37

2Z12-01-DP020

193 mm
1x

45

2Z12-01-DP019

3549 mm
1x

47

"KL" = "KP"

Sydney A/ Clear A 2Z02-09-SR001	2150 mm
Sydney AS/ Clear AS 2Z02-09-SR011	1880 mm
1x	

56

"KL" = "KP"

Sydney A/ Clear A 2Z02-09-SR002	2150 mm
Sydney AS/ Clear AS 2Z02-09-SR012	1880 mm
1x	

57

Sydney A/ Clear A 2Z02-09-SD027	2150 mm
Sydney A/ Clear A 2Z02-09-SR028	1880 mm
2x	

58

Sydney A/ Clear A	1929 x 1050 mm
Sydney AS/ Clear AS	1929 x 915 mm

MODULA

4x
----

60

2x
----

64

2x
----

66

2Z09-01-SD078

1x
----

MODULA

74

2Z09-01-SD079


1x
----

MODULA

75




1SP10-01-077



DIN 912
M 5x65
2x

**91**


1SP10-01-084



ISO 7380
M 6x20
4x

**92**


1SZ18-02-010



2x
----

**93**


1SZ18-02-012



4x
----

**94**


1SP11-01-049



AN 9051
4,8x60
6x

**95**


1SP10-01-078



DIN 912
M 6x65
4x

**96**


1SP10-01-082



DIN 912
M 6x100
4x

**97**


1SZ03-01-038



2x
----

**98**

1SZ03-01-030



4x
----

**99**

1SZ12-01-010



8x
----

**100**


1SZ12-01-052



2x
----

**104**


1SZ12-01-051



2x
----

**10**

1SP10-01-025



DIN912
M6x25
2x

**108**

2Z09-01-SD076



1x
----

**72**



2Z09-01-SD077




1x
----

**73**




1SZ18-02-001D



1x
----

**3**



1SZ18-02-002D



1x
----

**4**

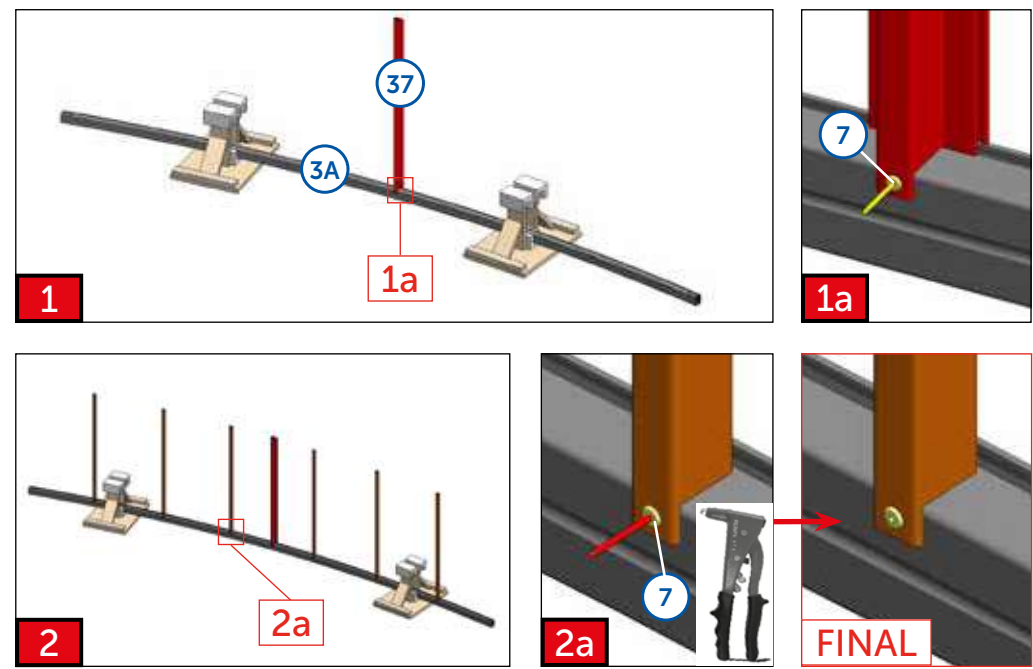
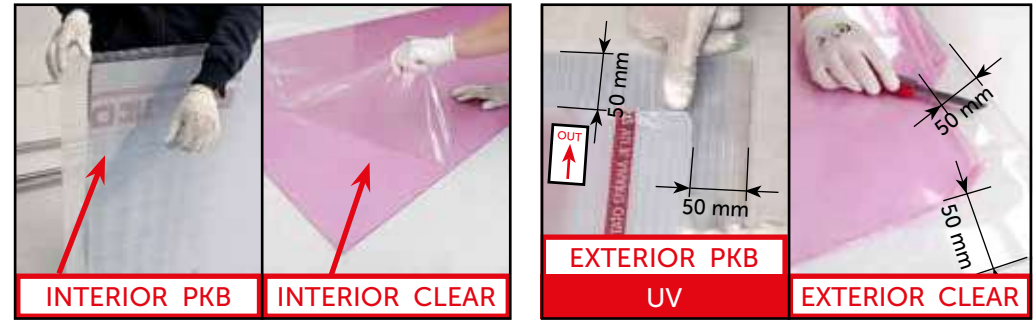
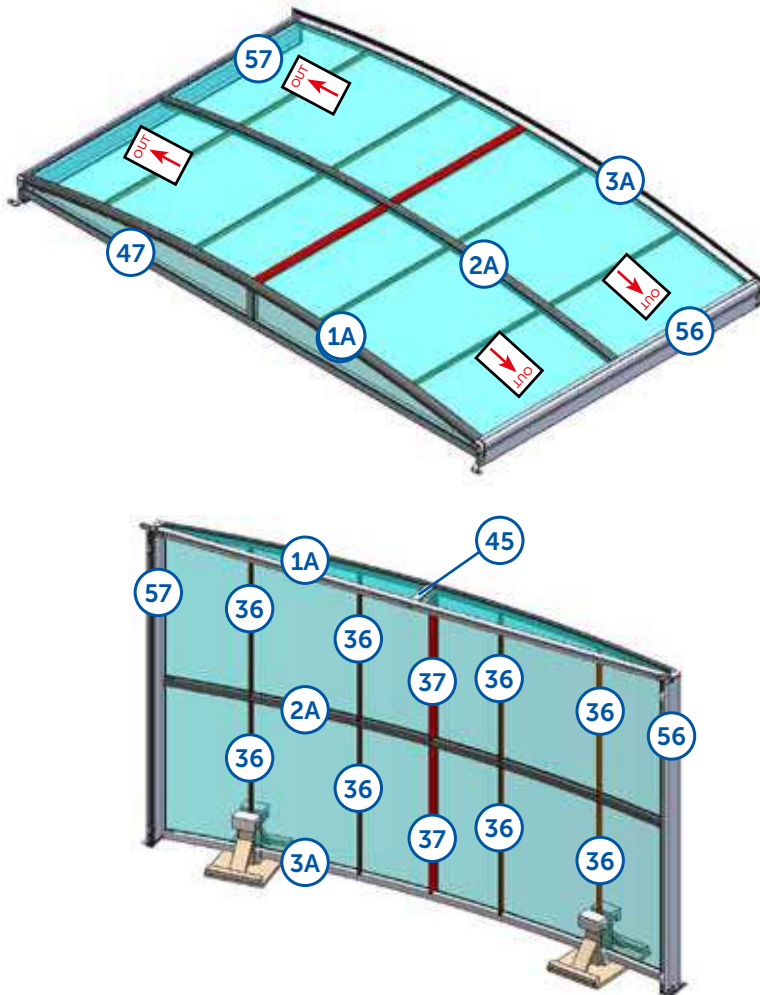
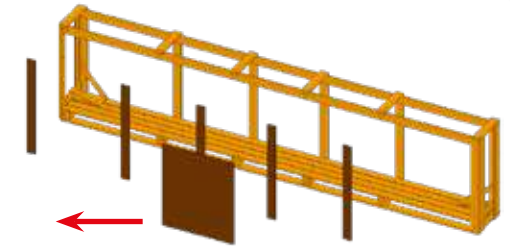


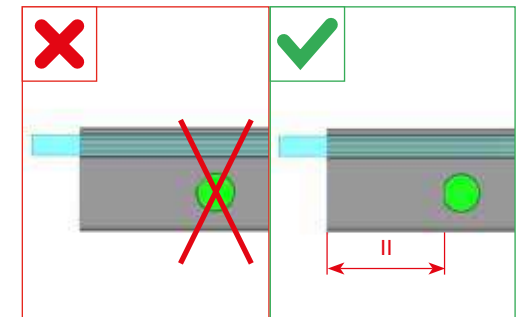
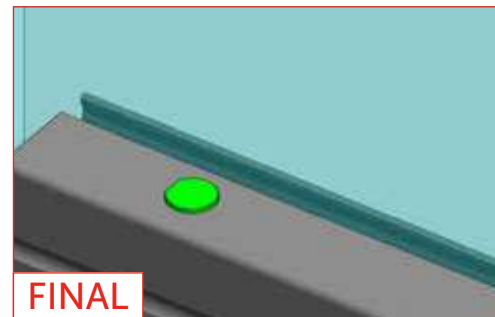
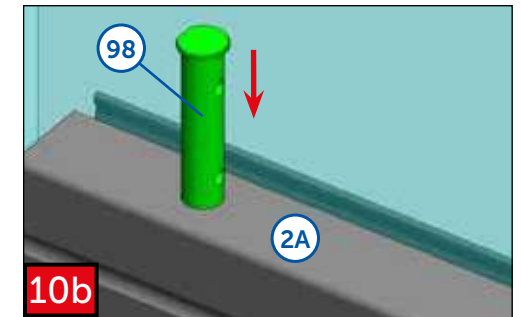
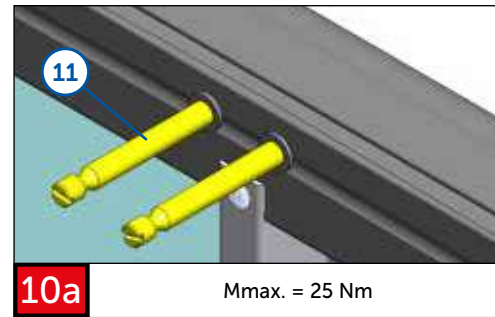
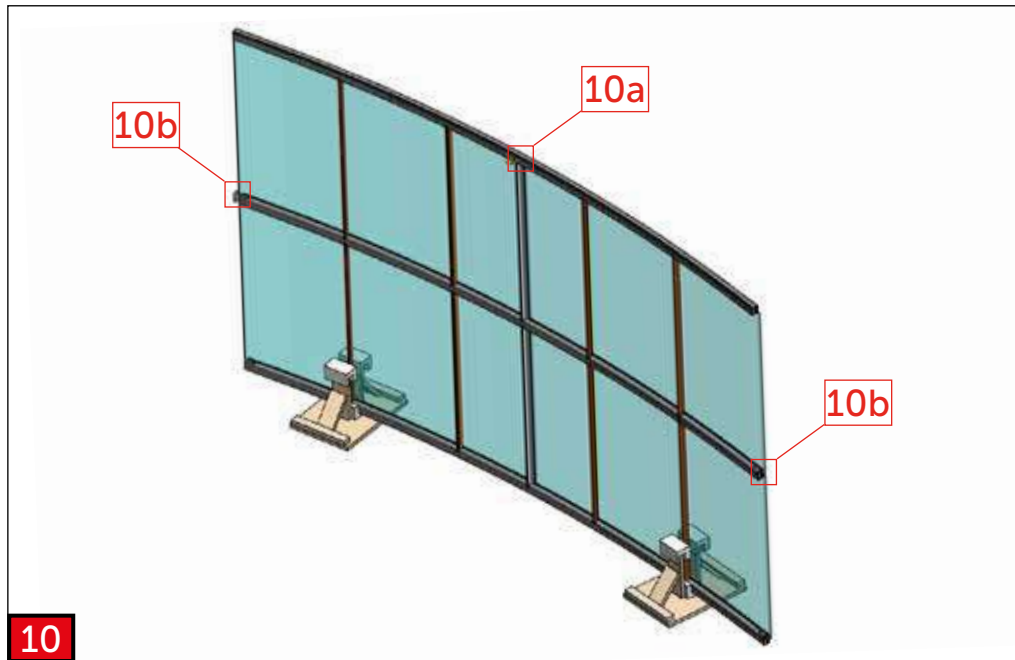
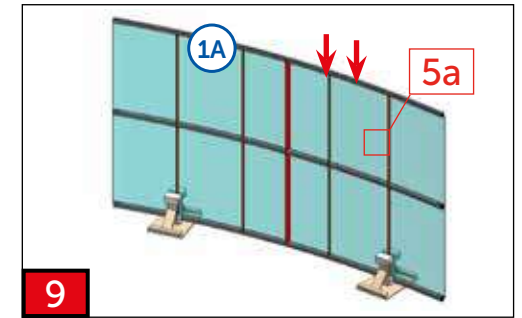
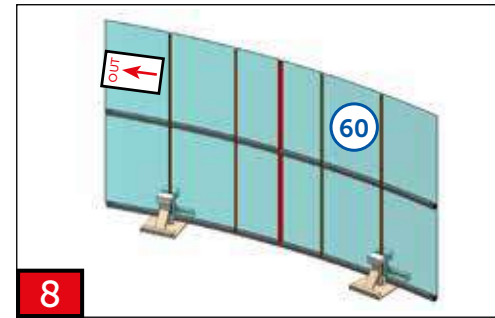
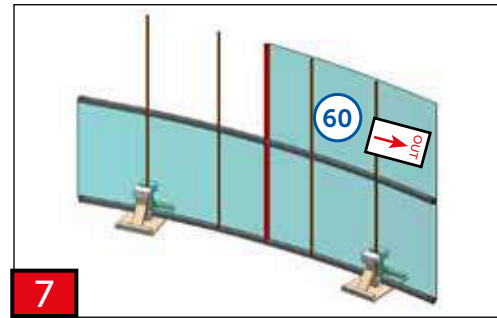
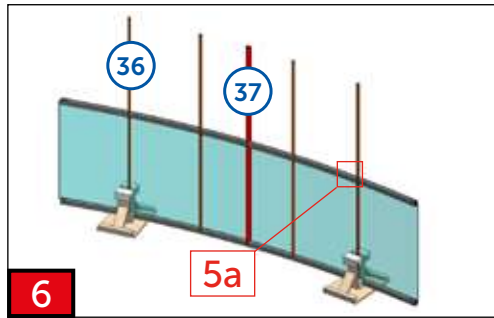
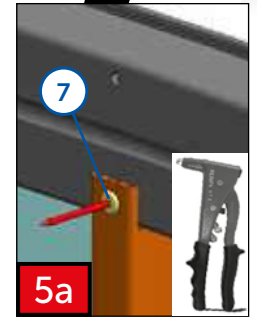
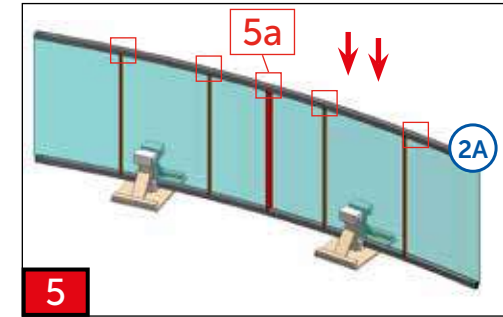
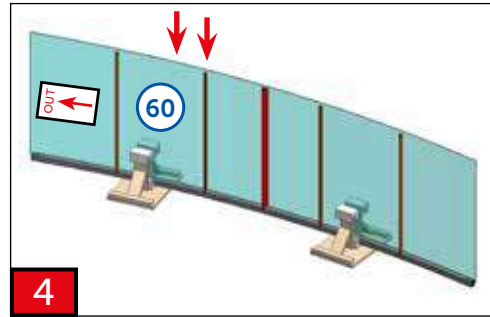
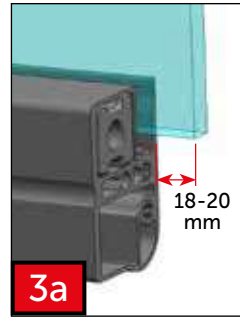
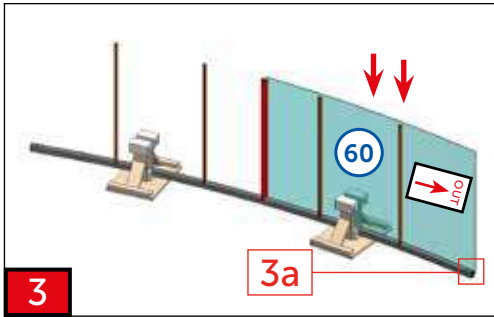


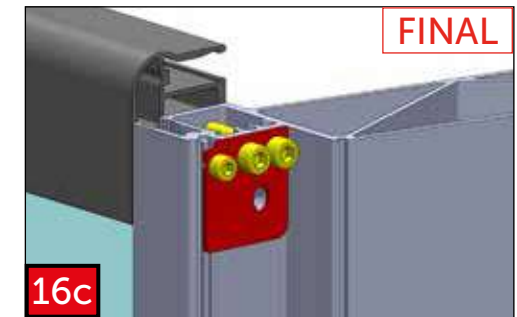
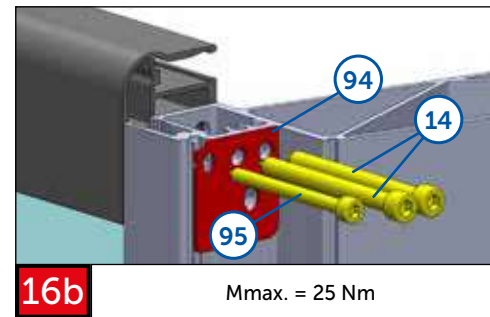
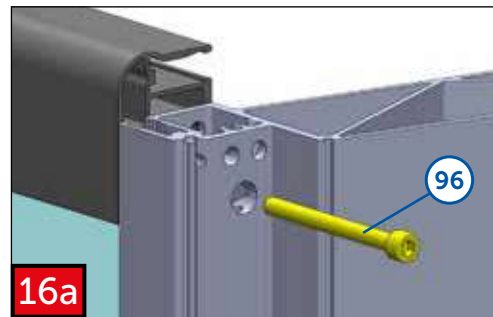
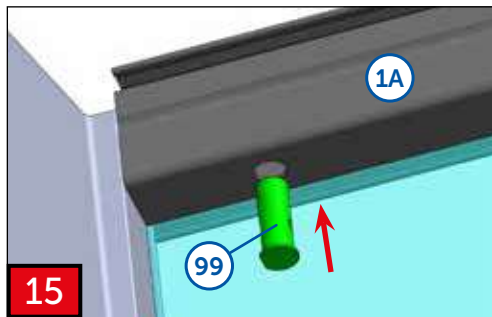
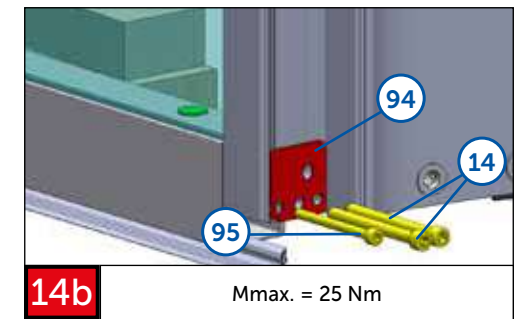
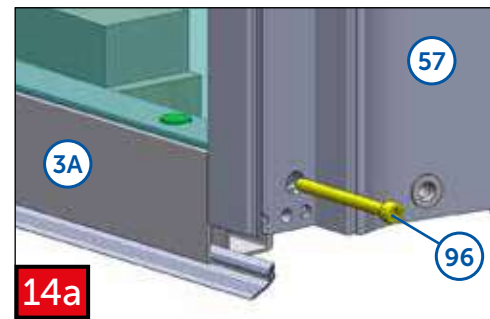
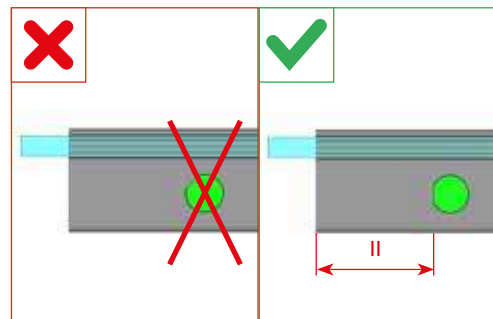
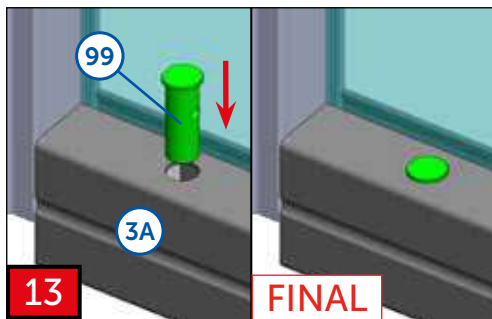
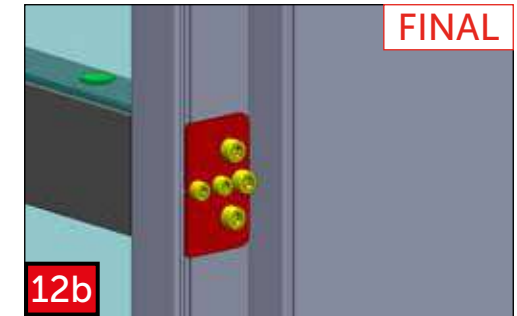
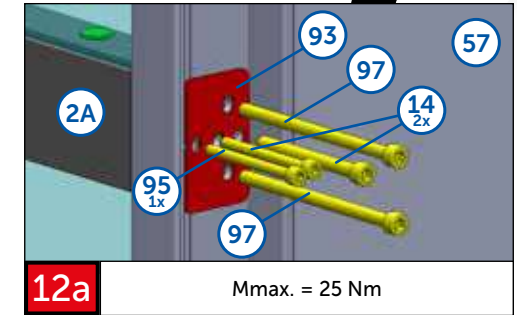
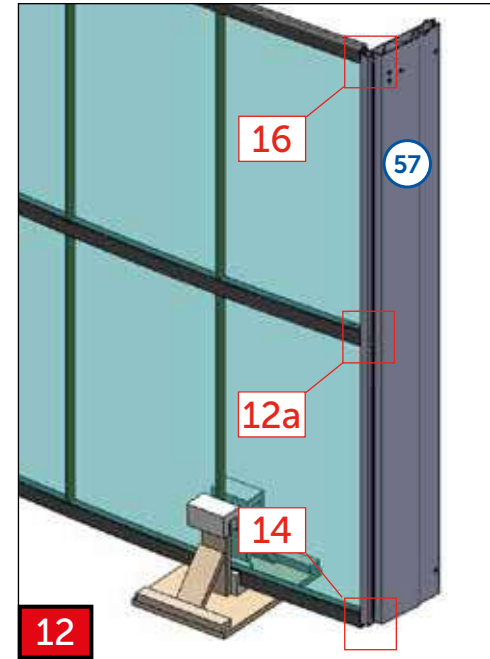
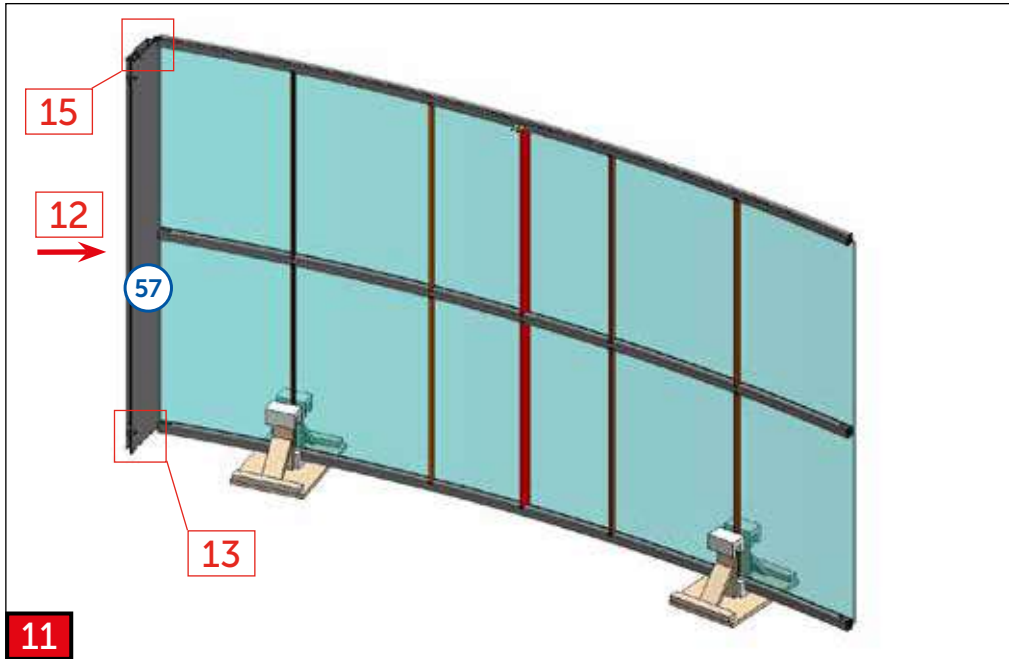
**Pomocný držák pro montáž modulu**  
**Auxiliary holder for the assembly of module**  
**Zusätzliche Halterung für die Modulmontage**  
**Support auxiliaire pour l'assemblage du module**  
**Вспомогательный держатель для сборки модуля**

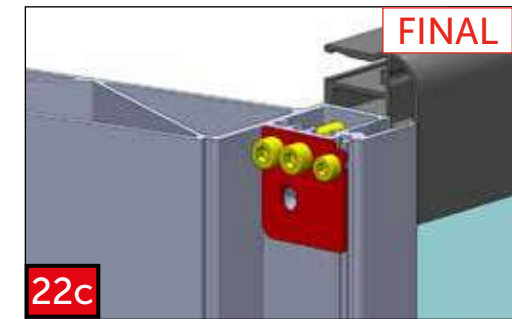
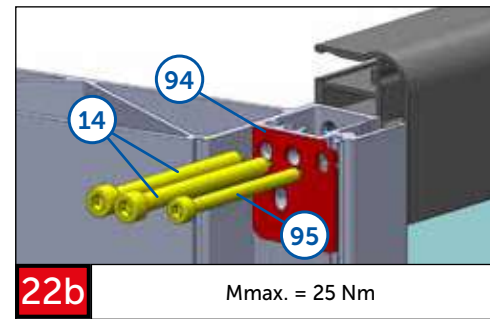
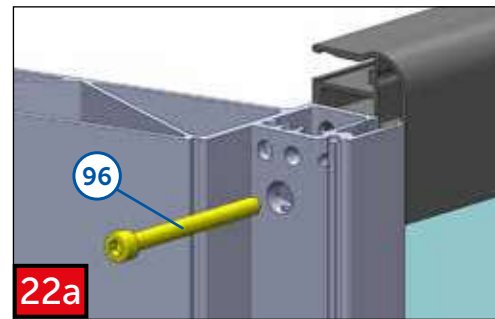
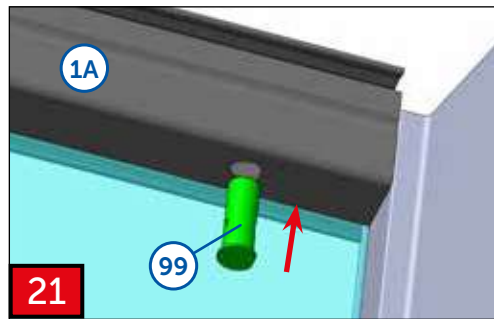
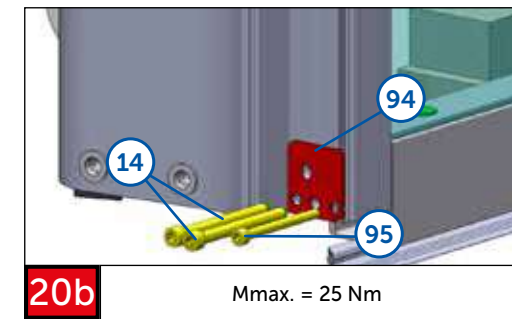
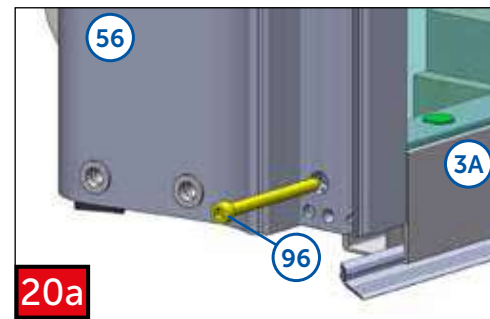
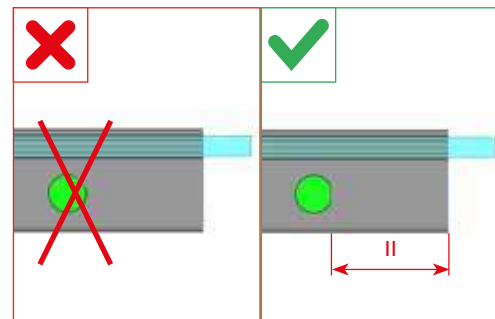
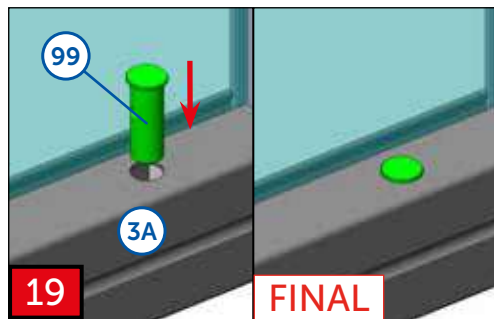
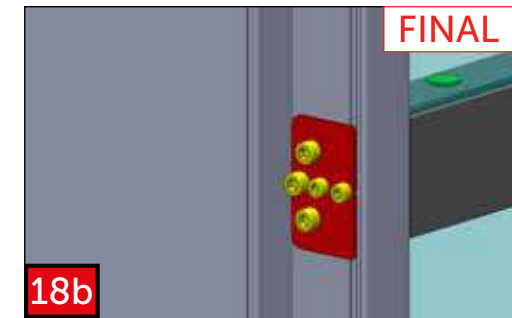
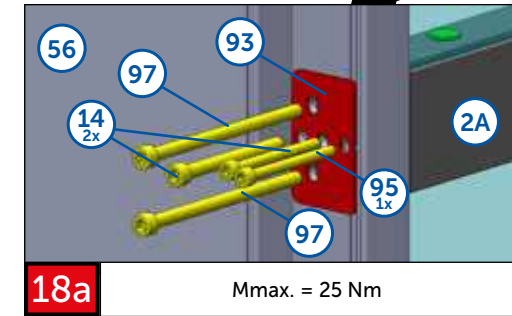
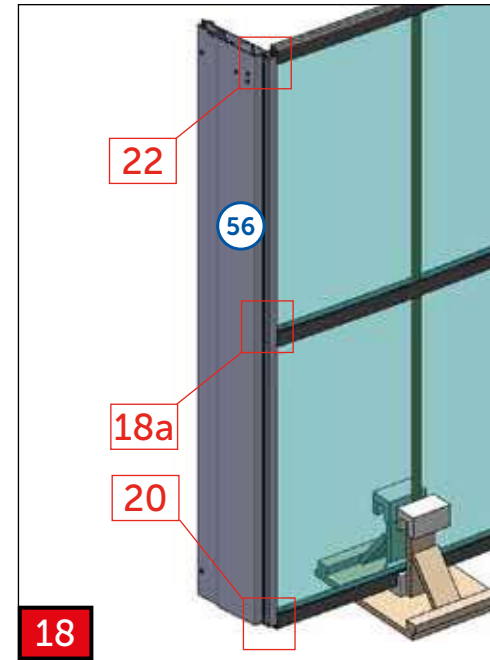
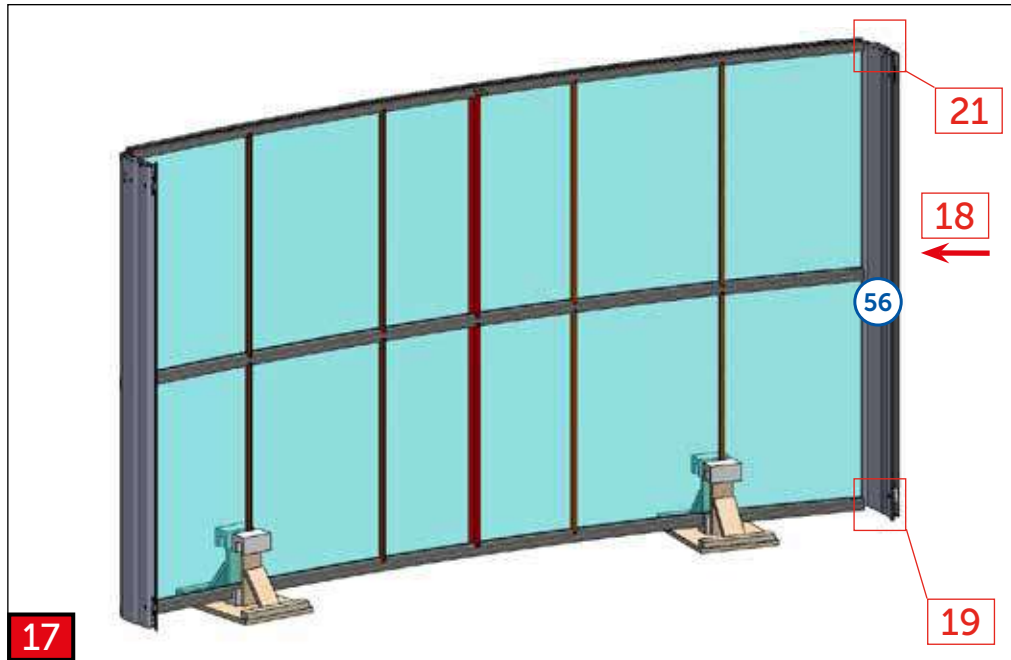


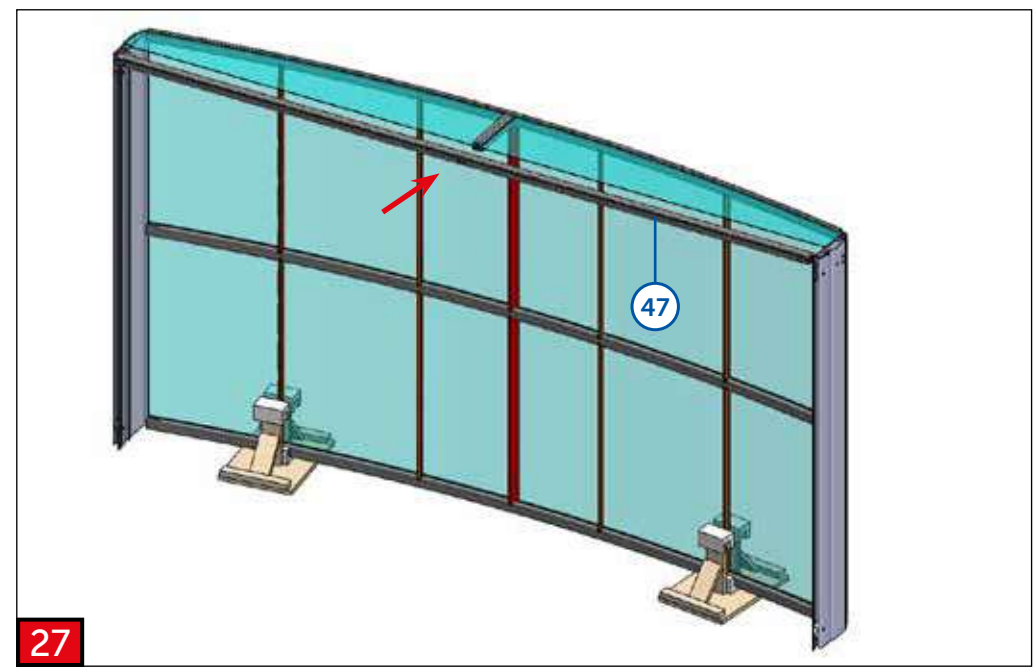
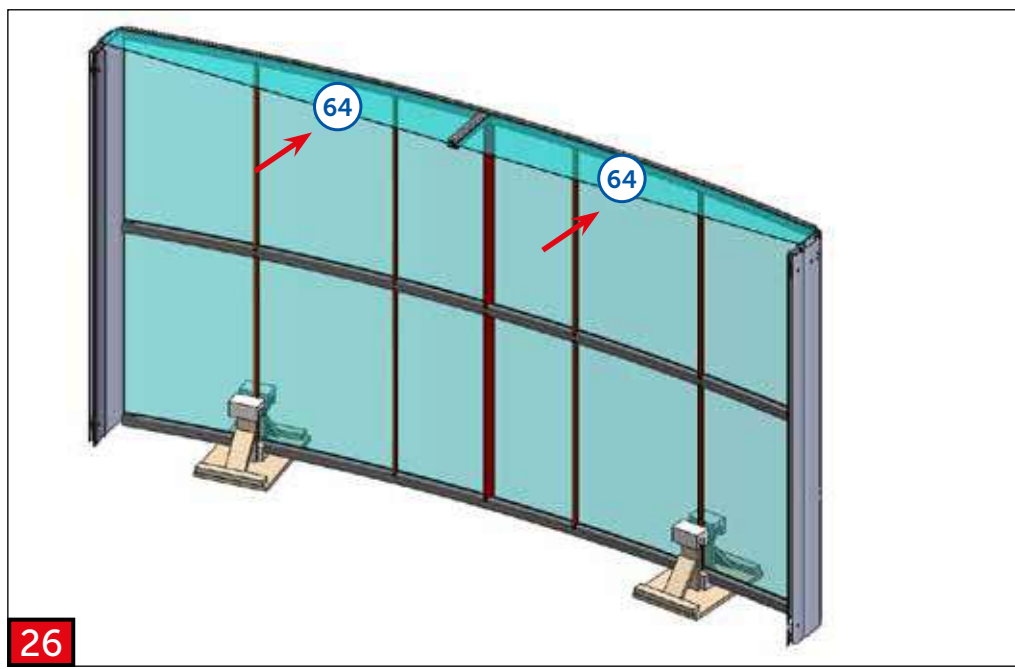
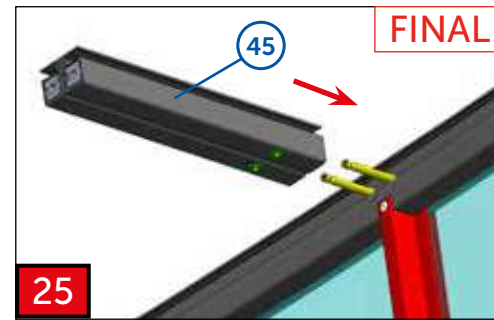
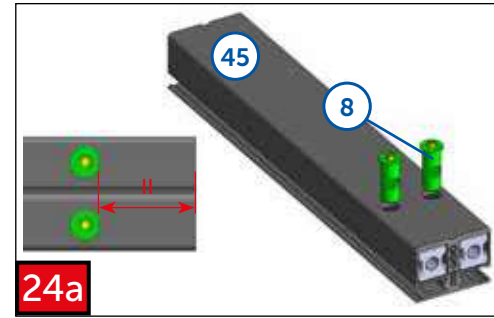
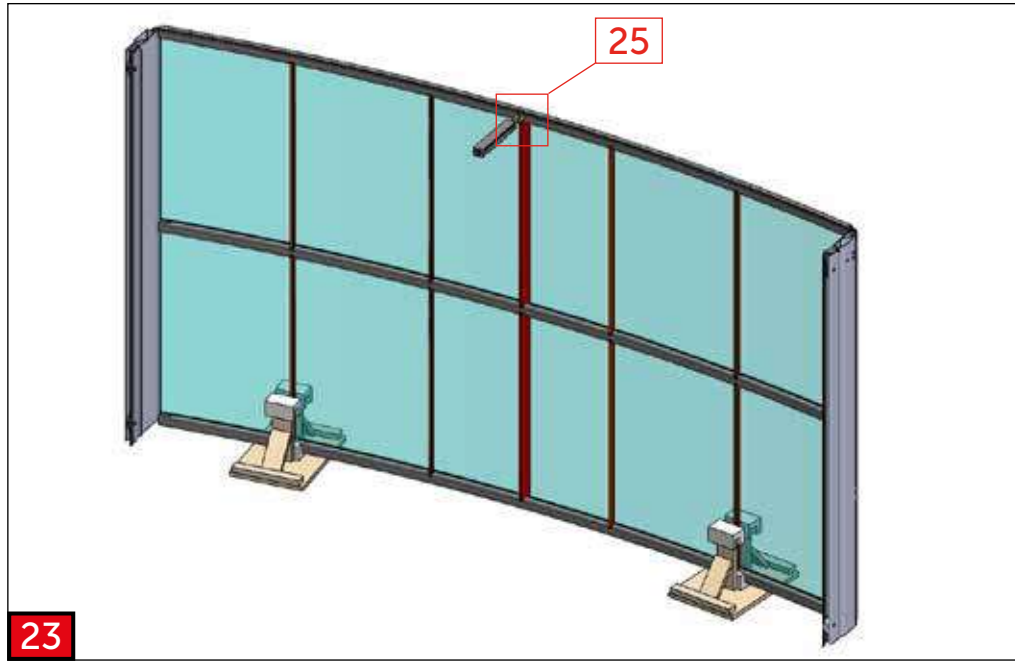
Nutné zajistit modul proti překlopení. Doporučujeme vyrobit držák z balení (prkna + výložky) nebo zajistit jiným způsobem.  
 The module must be secured against falling. We recommend that you make a holder from the transport box (boards + foam liner) or that you secure the module in other safe way.  
 Das Modul muss gegen Umkippen gesichert werden.  
 Wir empfehlen, einen Halter aus der Verpackung (Bretter + Liner) zu machen oder das Modul auf andere Weise zu sichern.  
 Il est nécessaire d'assurer le module contre son renversement.  
 Nous recommandons de fabriquer le support de l'emballage (les planches + les parements) ou de l'assurer autrement.  
 Необходимо обезопасить модуль от опрокидывания.  
 Мы рекомендуем сделать держатель из упаковки (доски + вкладыши) или закрепить его другим способом.

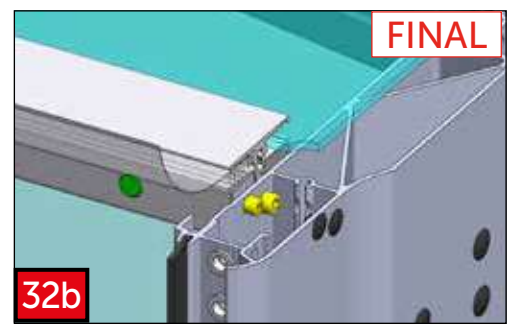
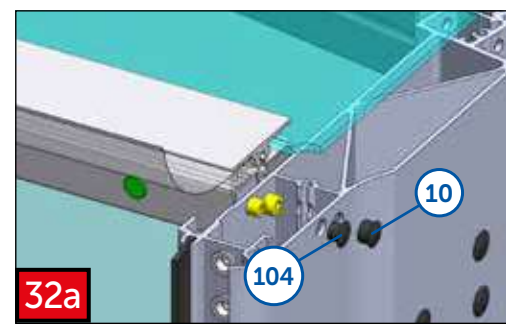
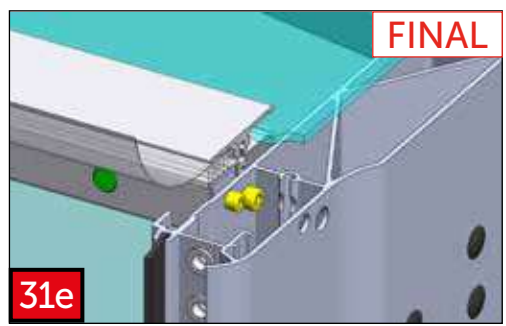
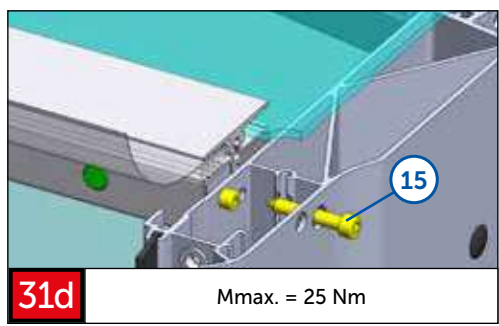
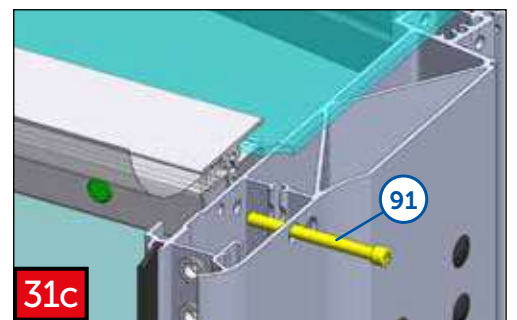
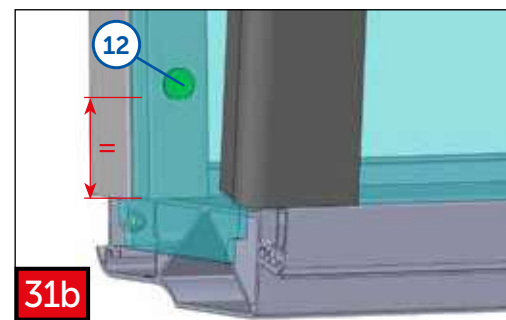
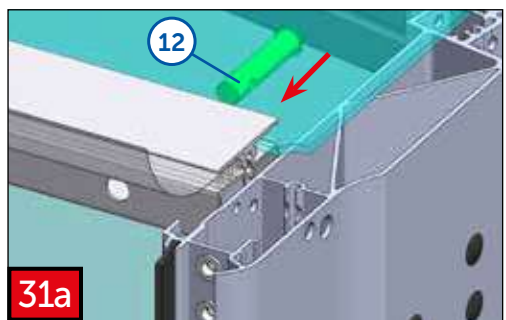
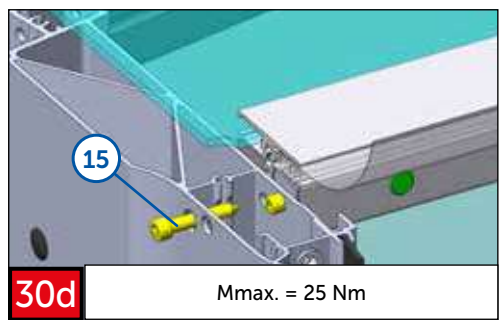
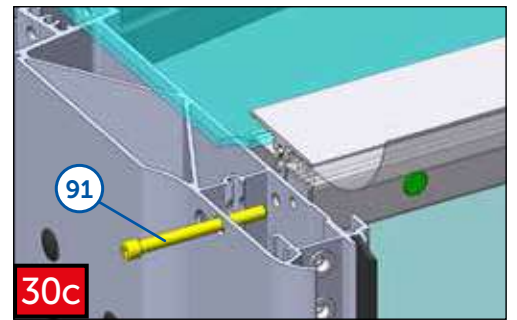
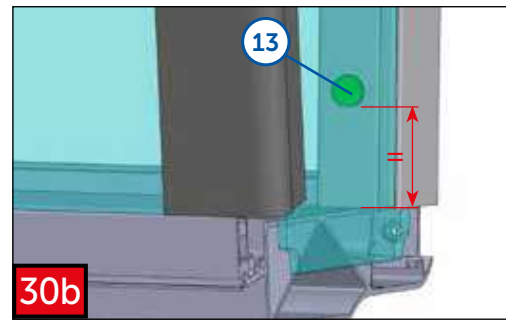
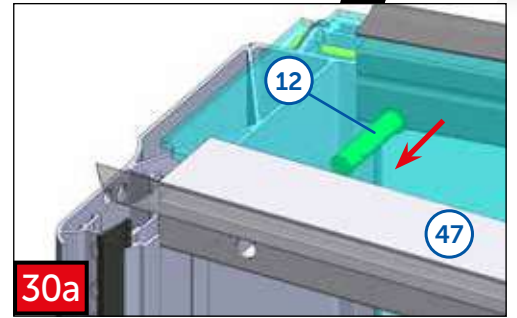
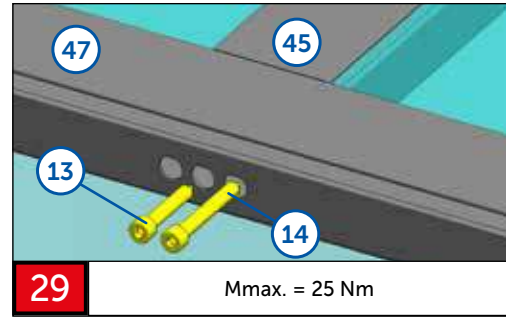
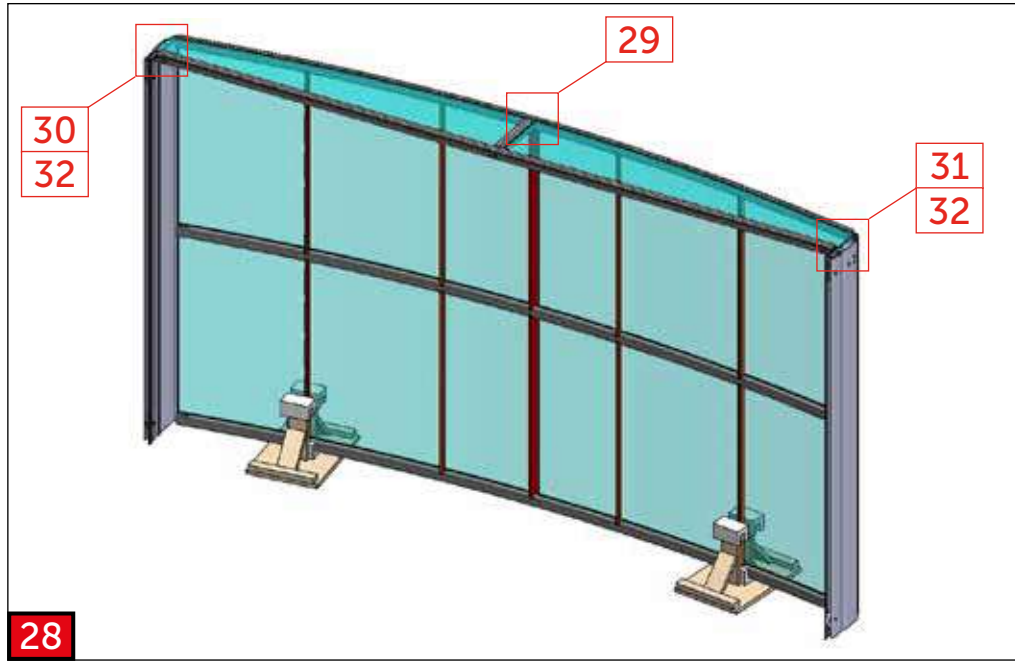




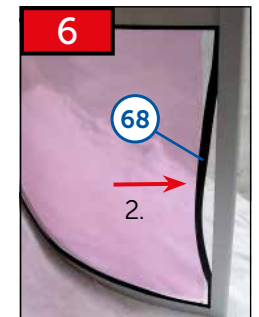
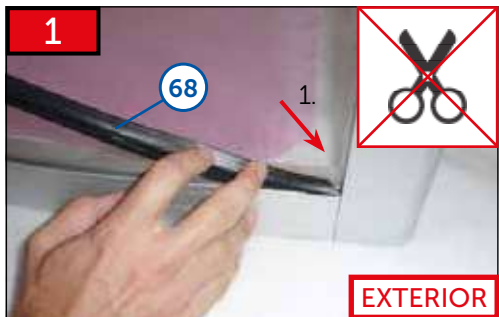
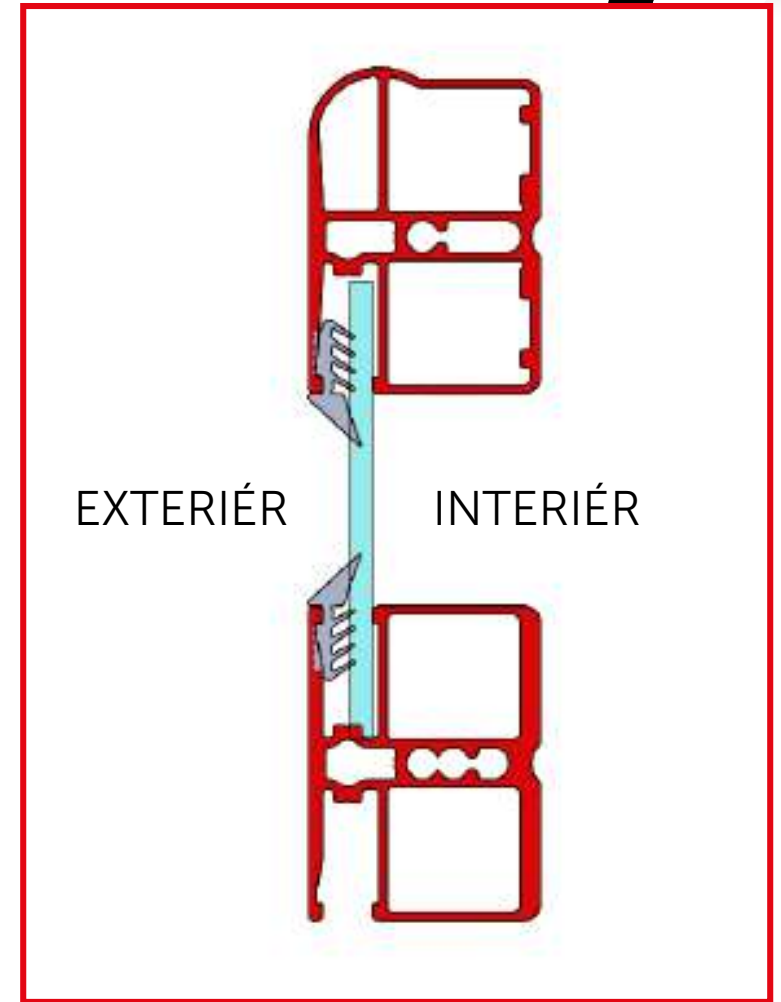
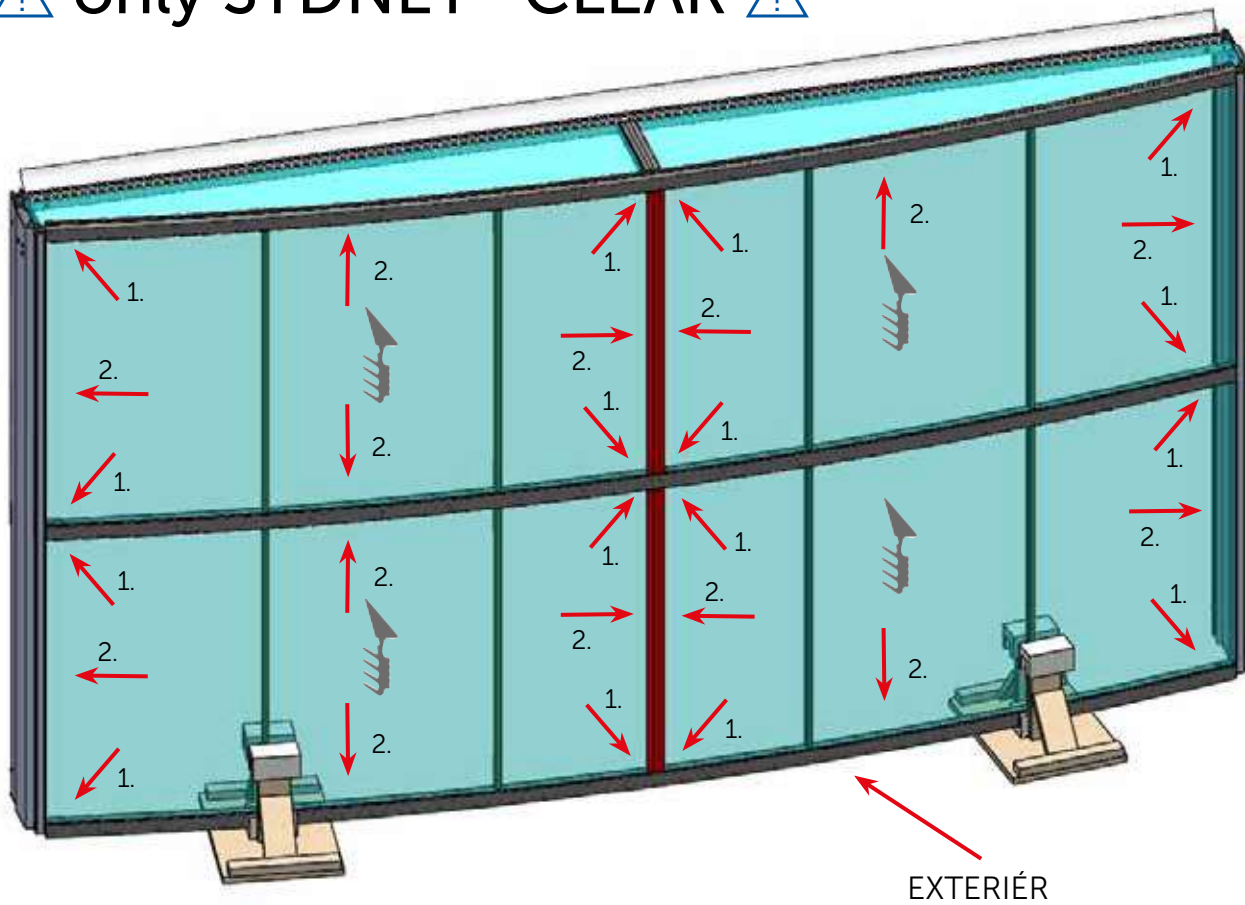


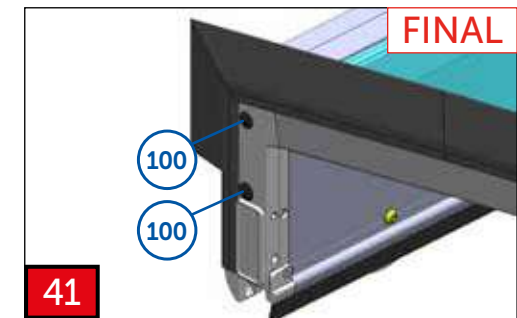
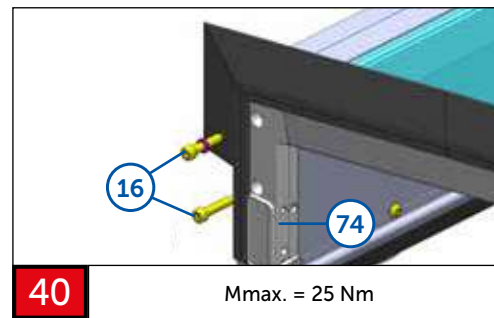
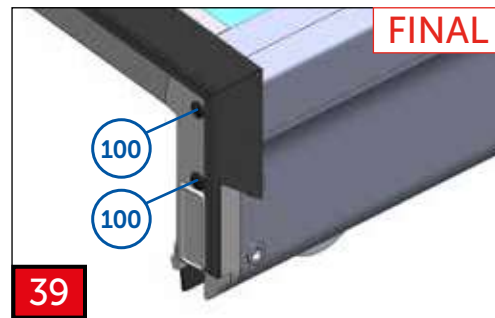
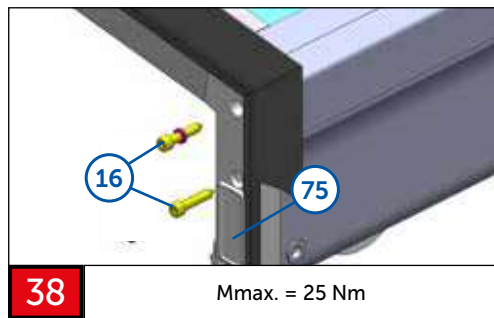
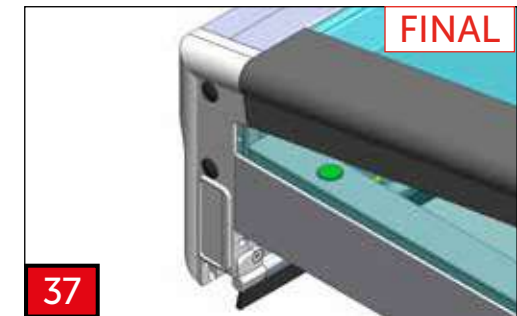
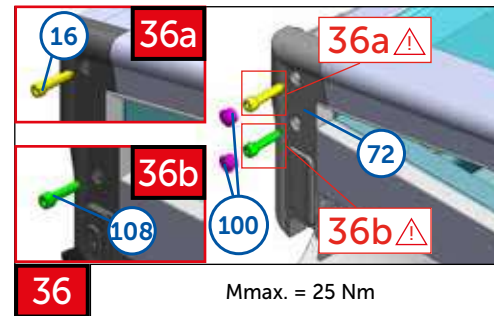
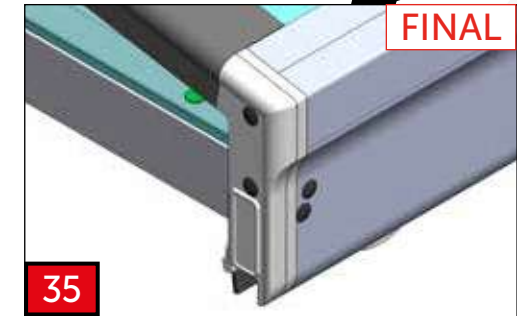
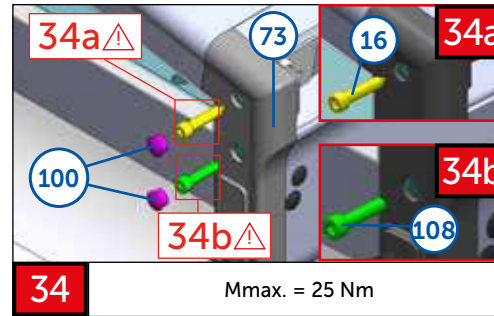
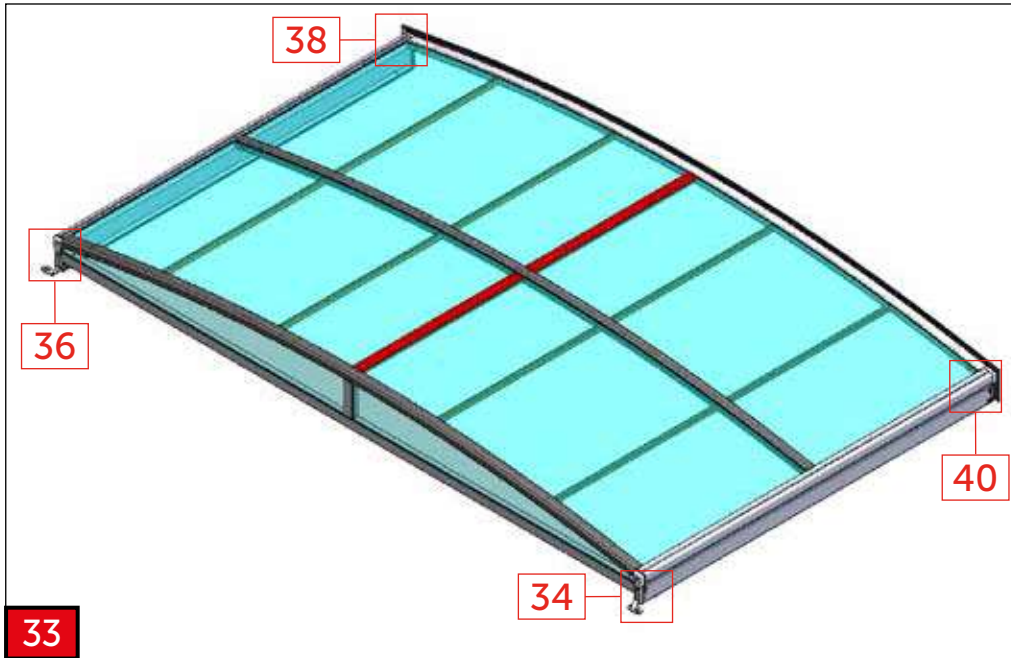




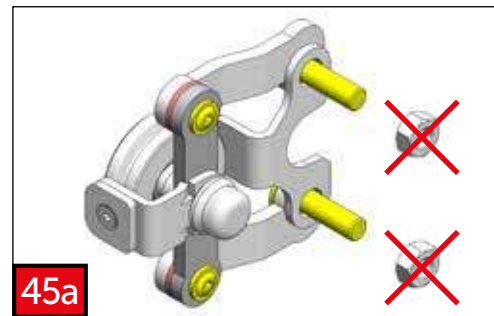
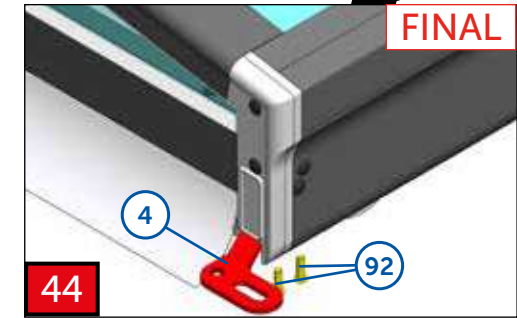
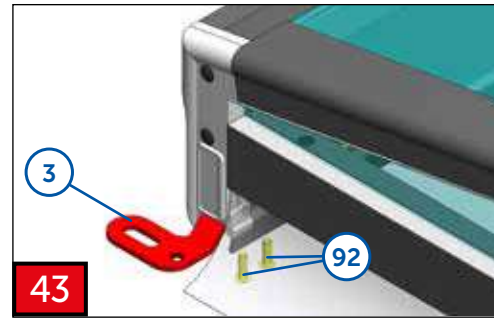
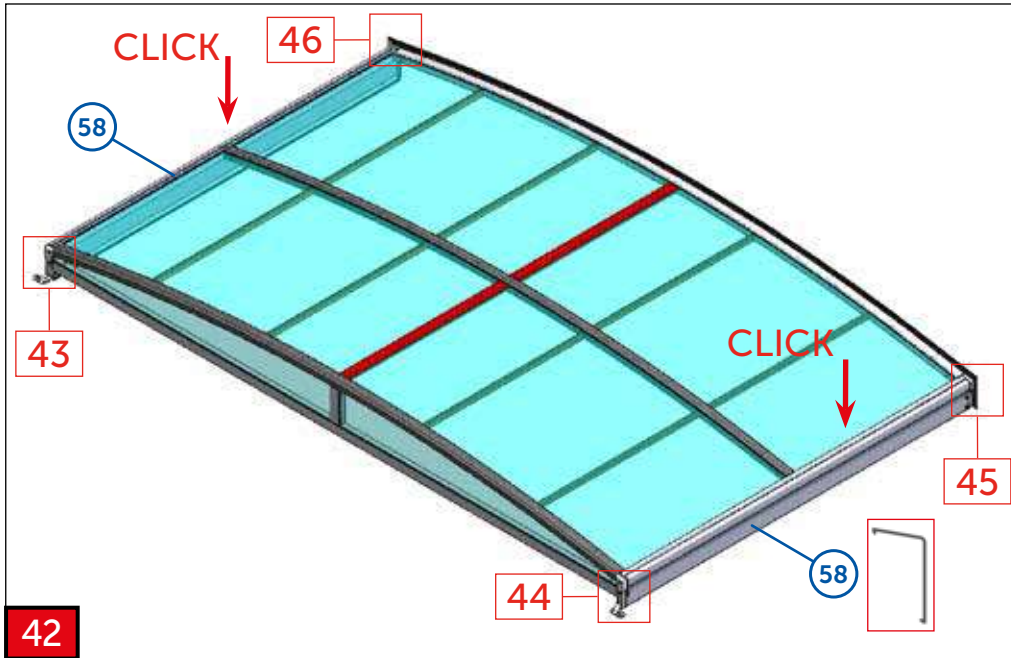


⚠ only SYDNEY CLEAR ⚠

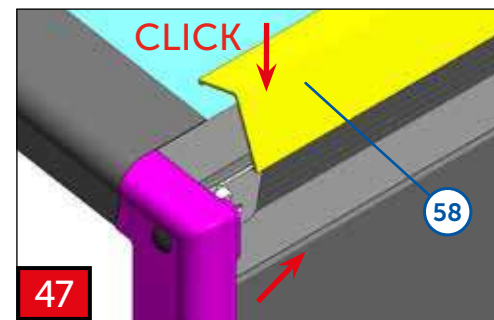
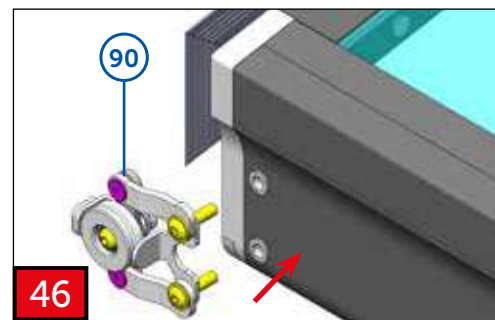
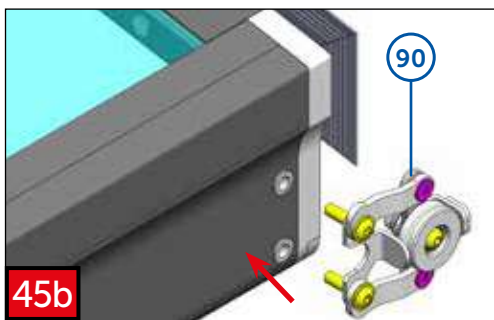


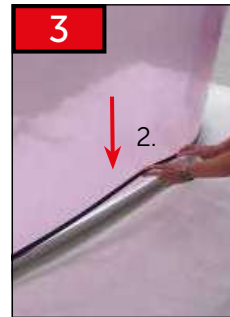
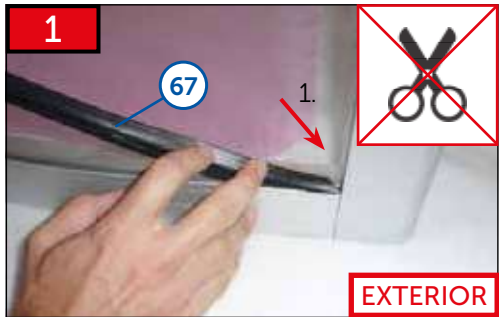
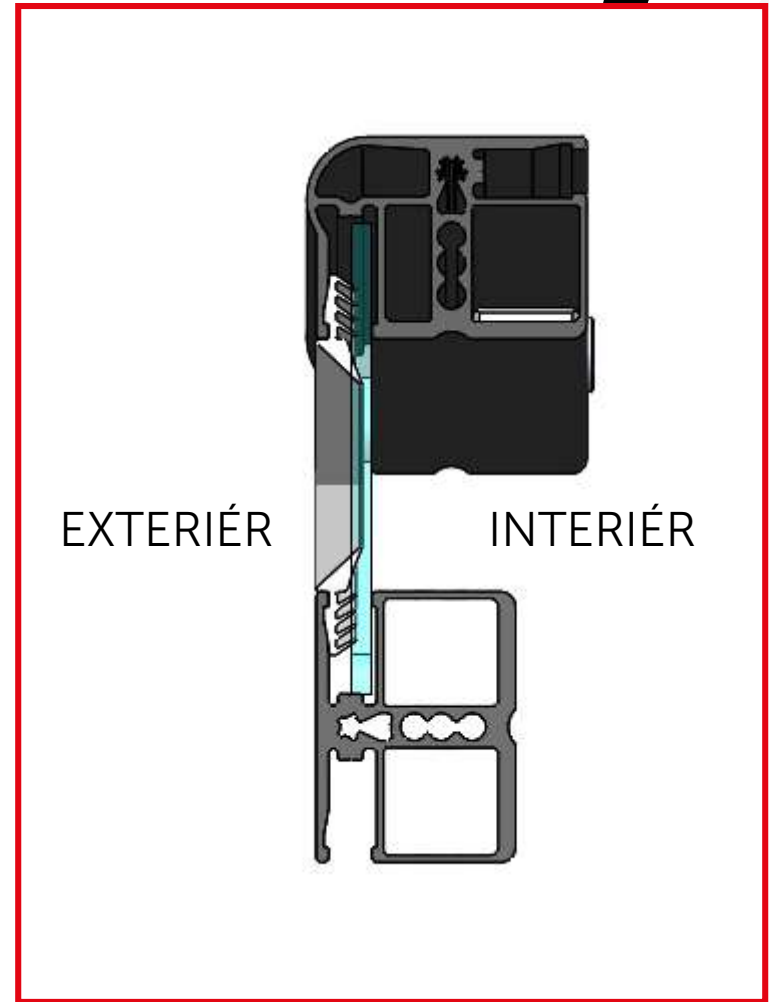
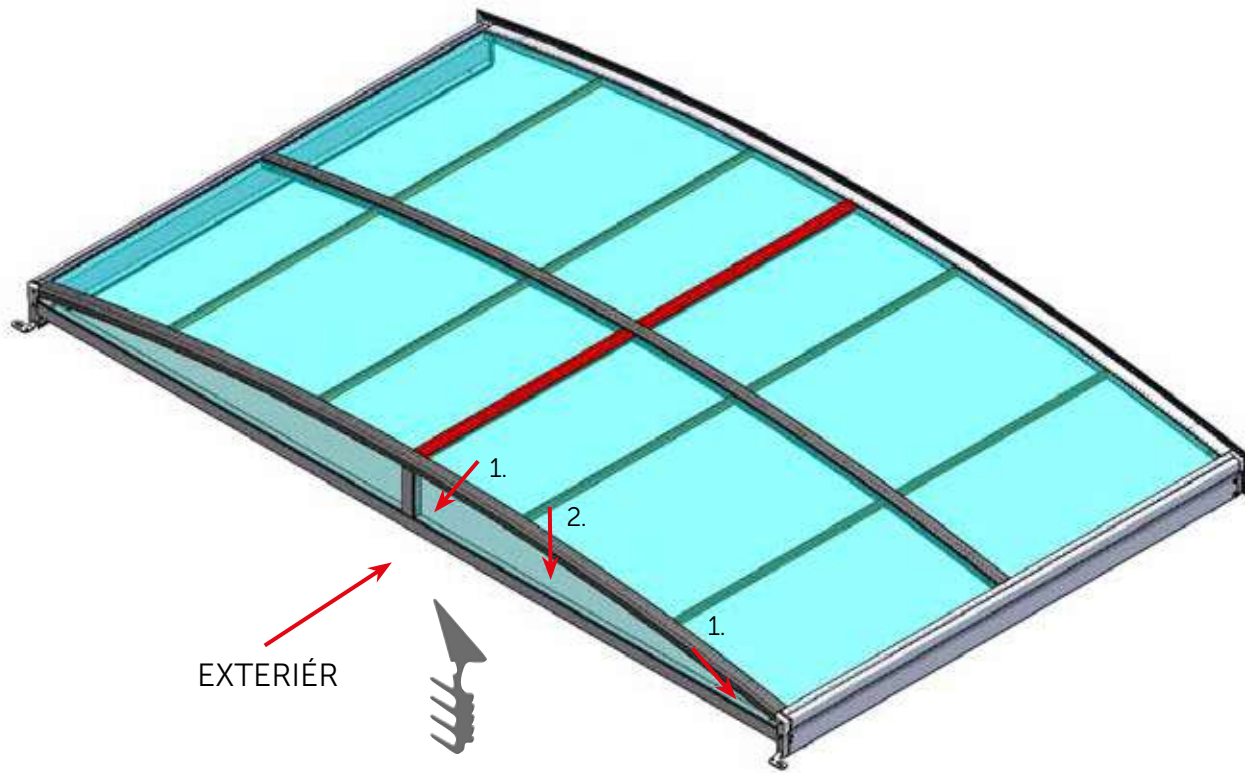






**Jistící matky před montáží odstranit**  
 Remove the lock nuts before mounting  
 Sicherungsmutter vor der Montage entfernen  
 Enlevez les contre-écrous avant le montage  
 Перед установкой снимите стопорные гайки

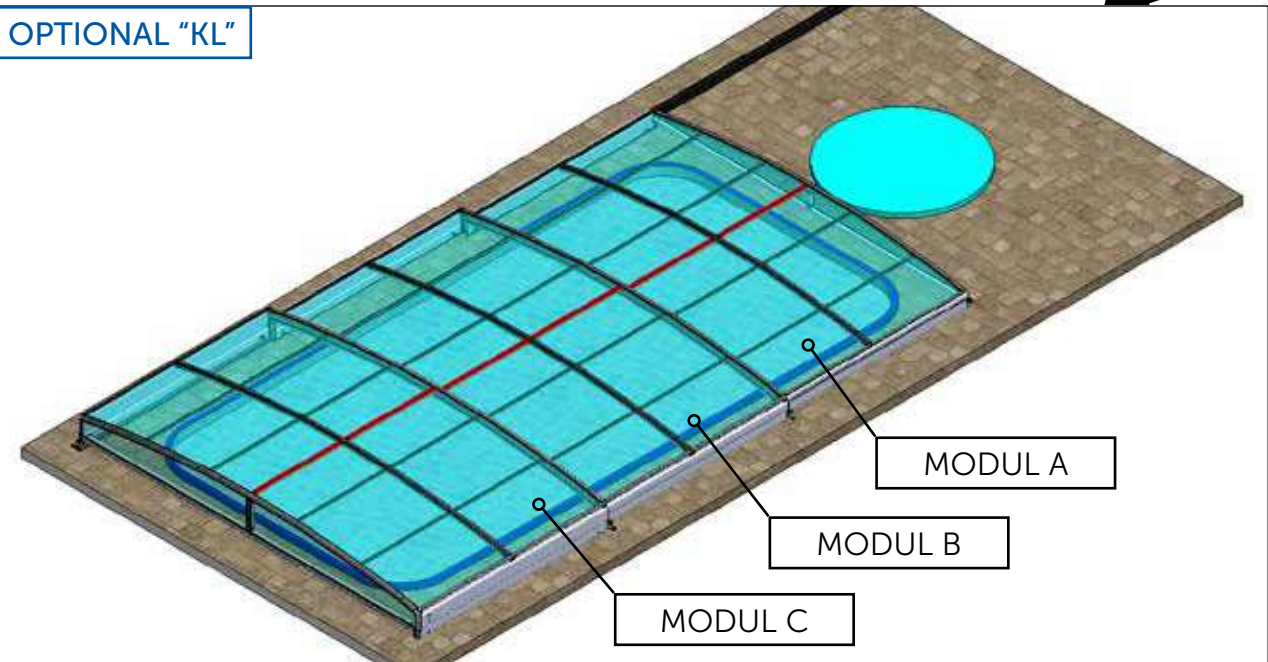




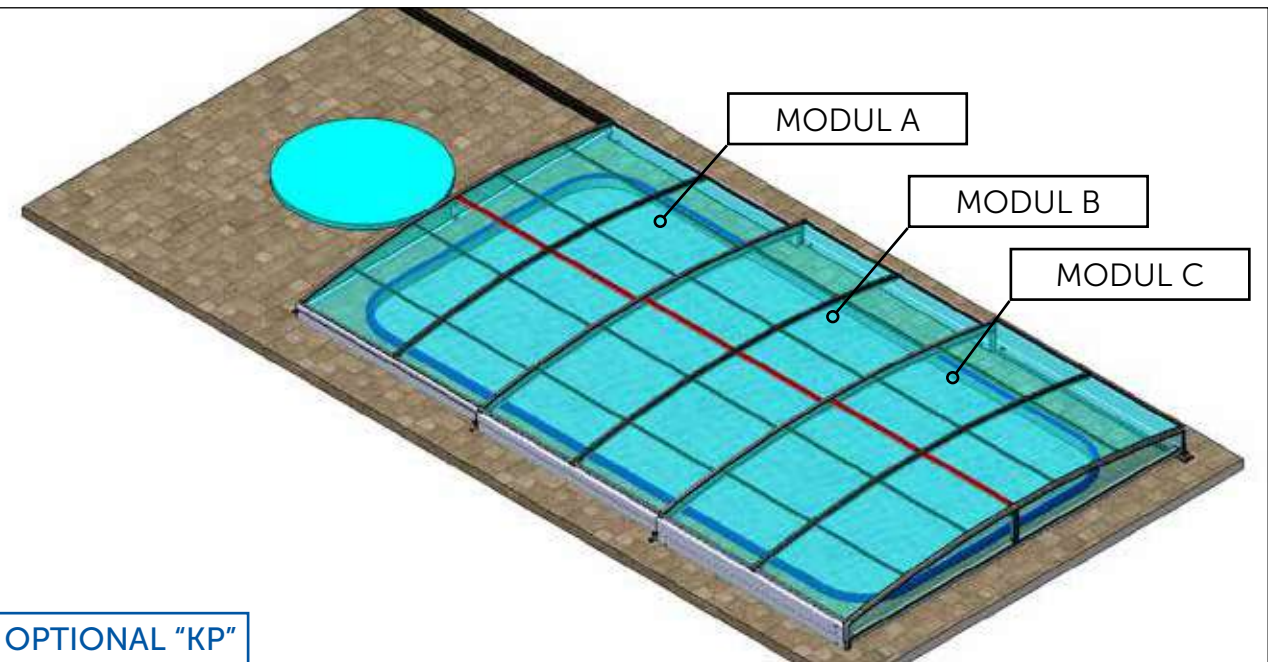


Umístění modulů na bazén  
Placing of modules on the swimming pool  
Lage der Module auf dem Pool  
Emplacement des modules au-dessus de la piscine  
Расположение модулей на бассейне

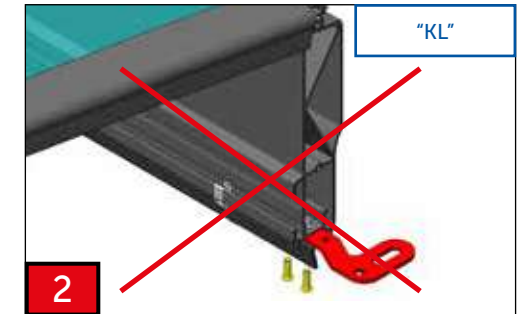
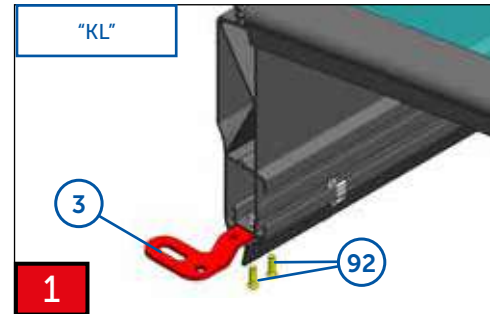
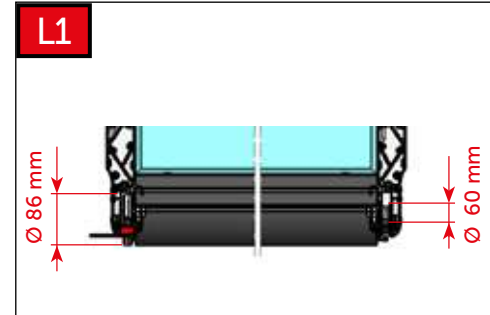
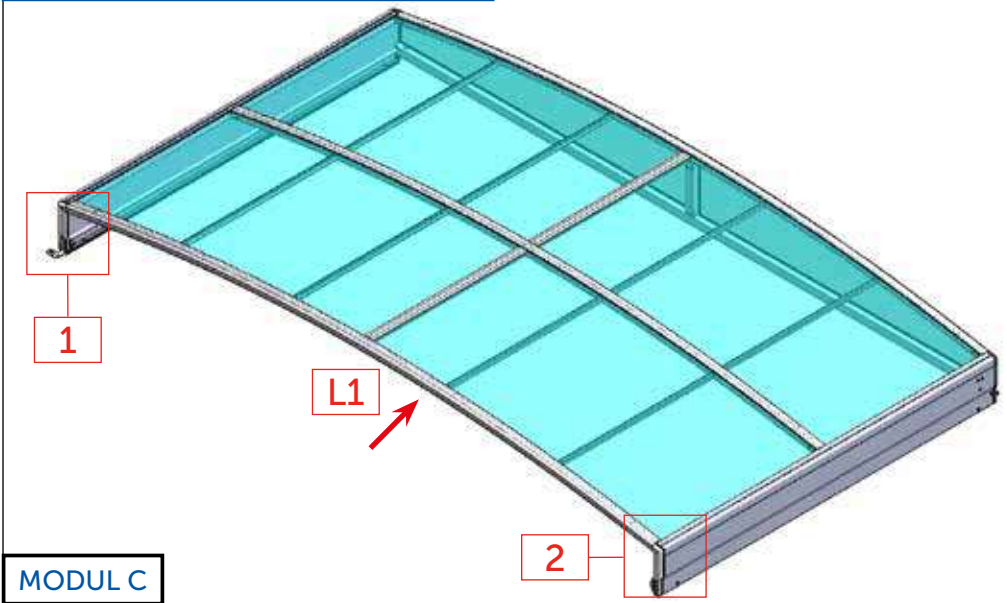
OPTIONAL "KL"



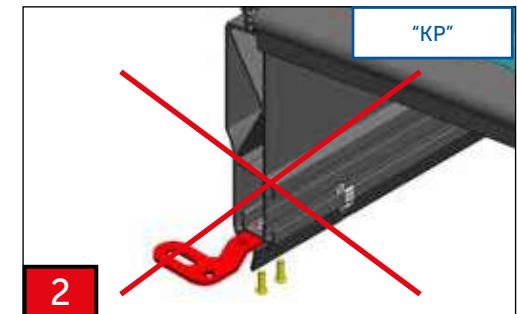
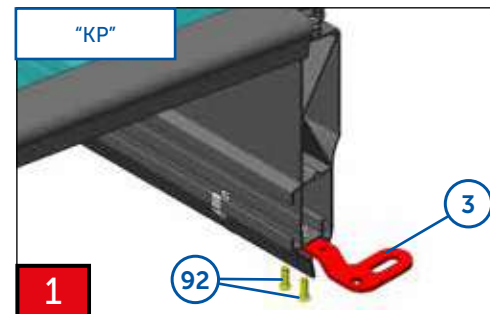
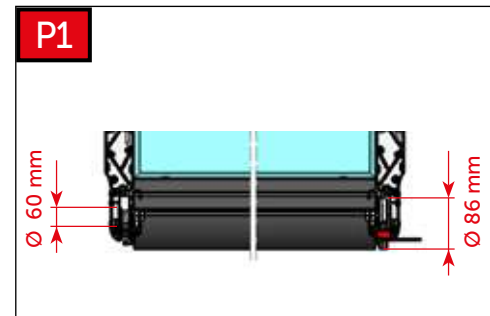
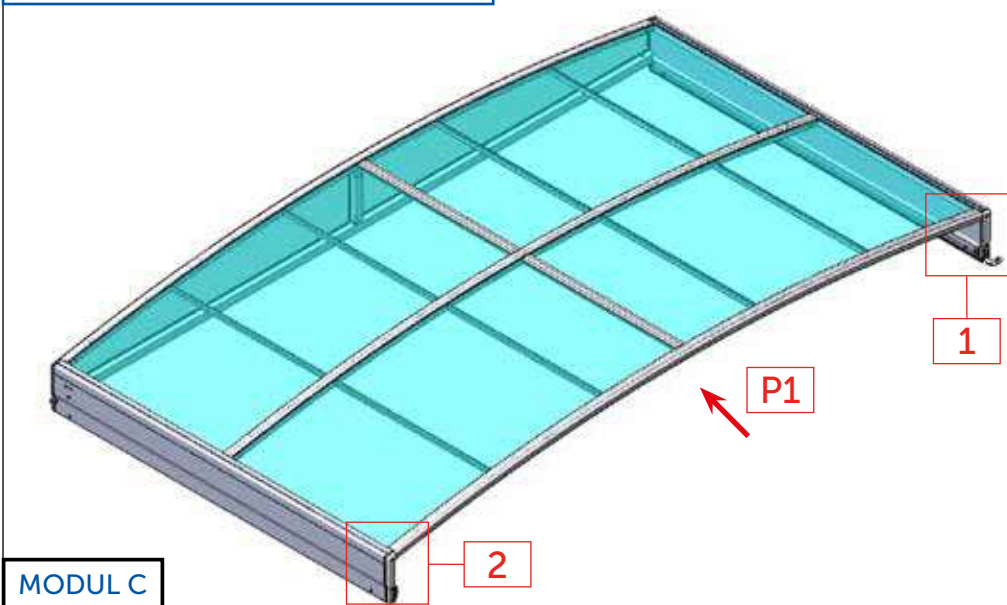
OPTIONAL "KP"

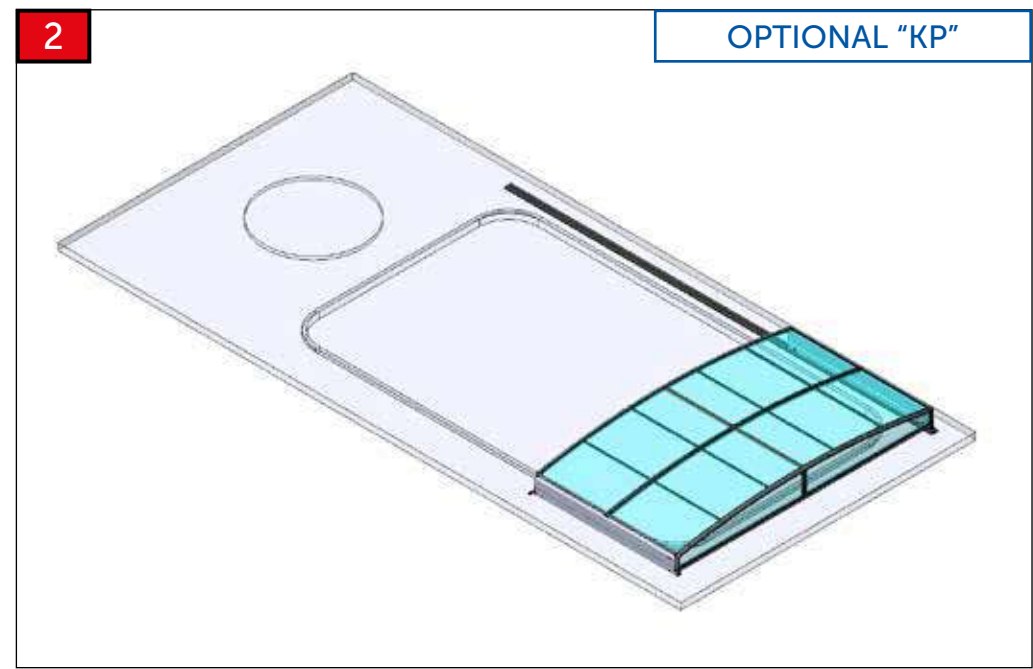
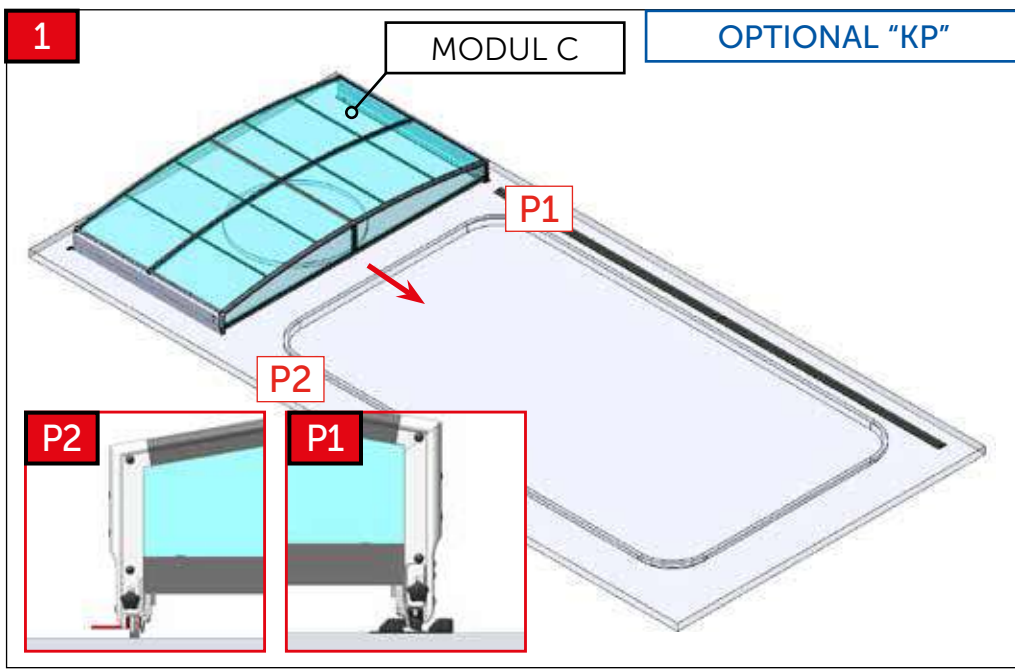
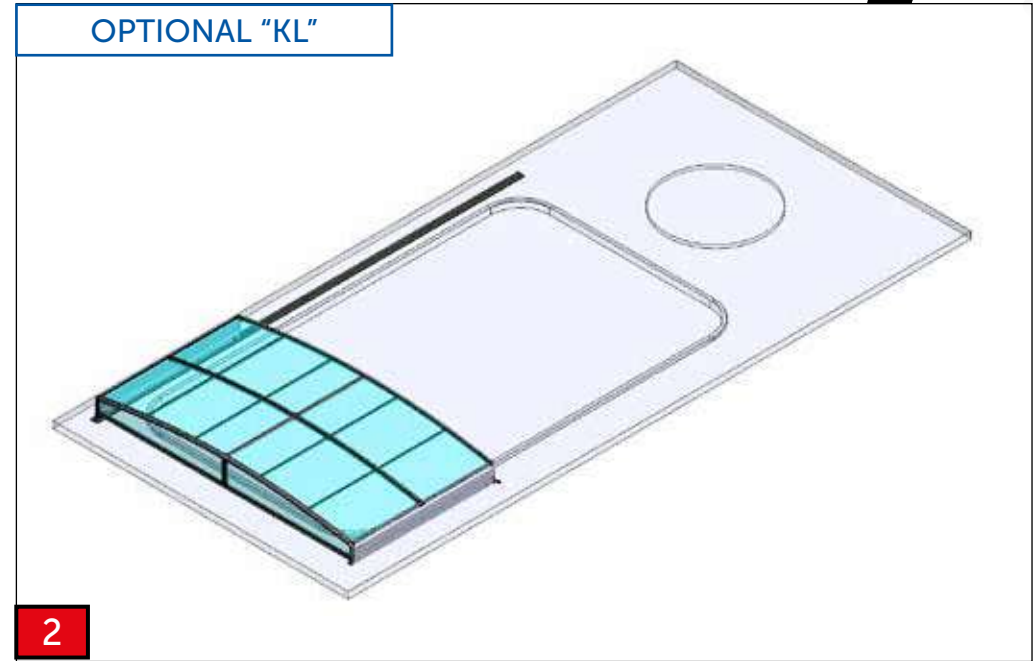
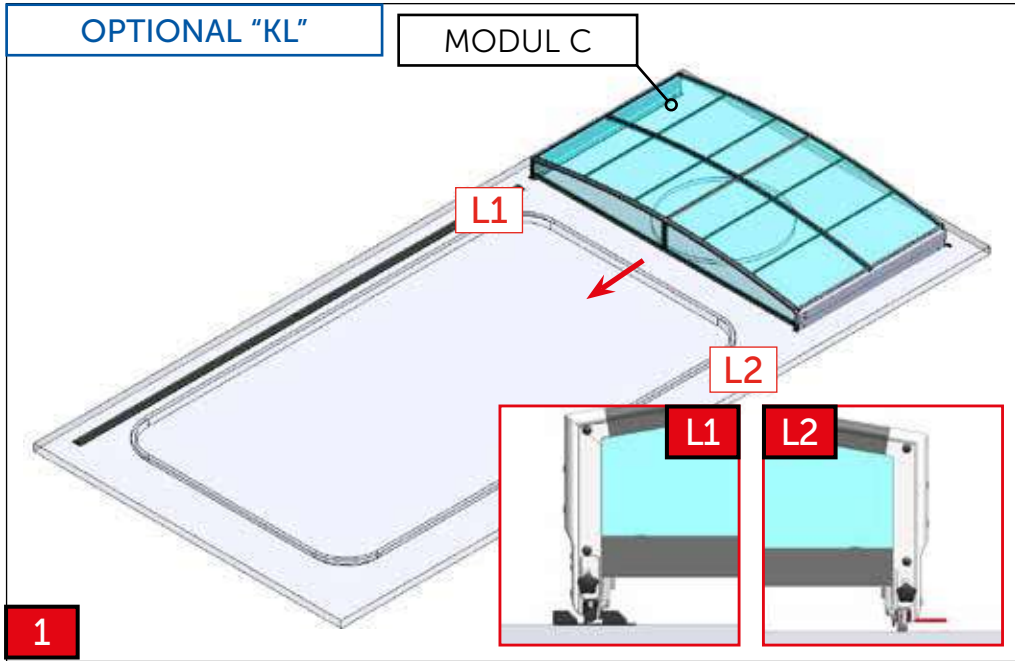


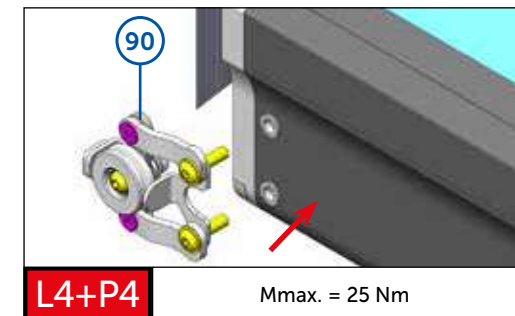
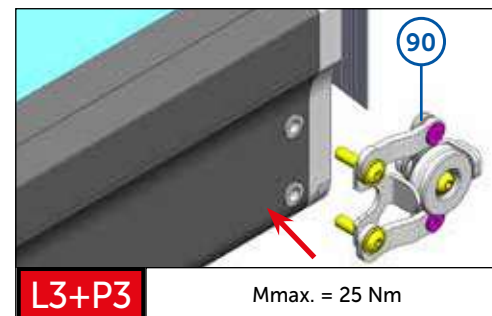
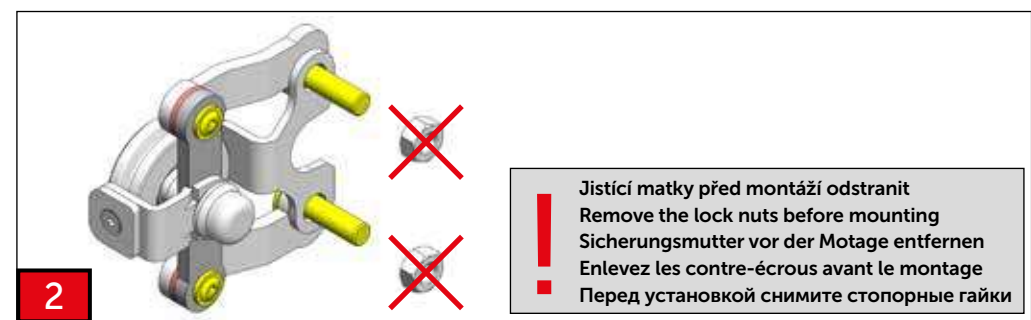
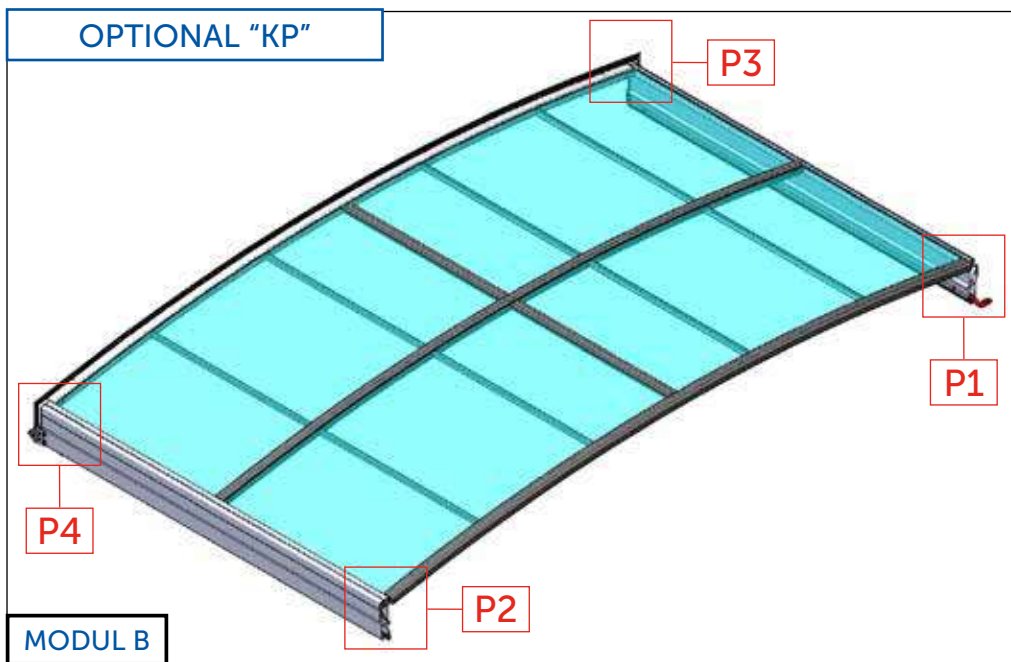
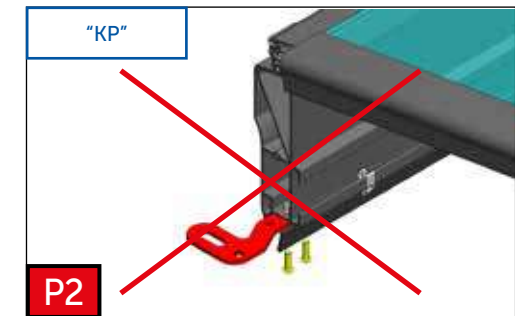
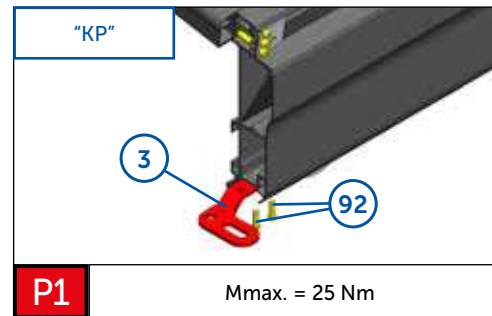
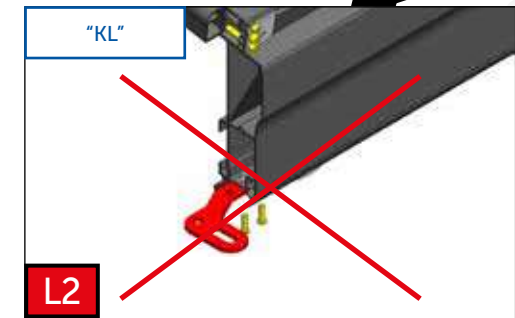
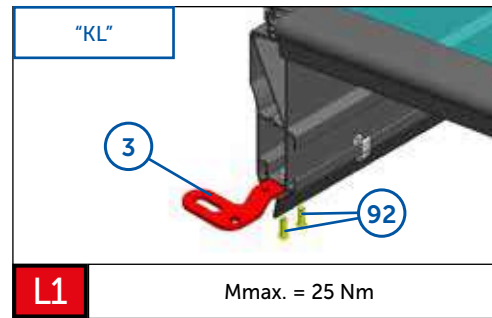
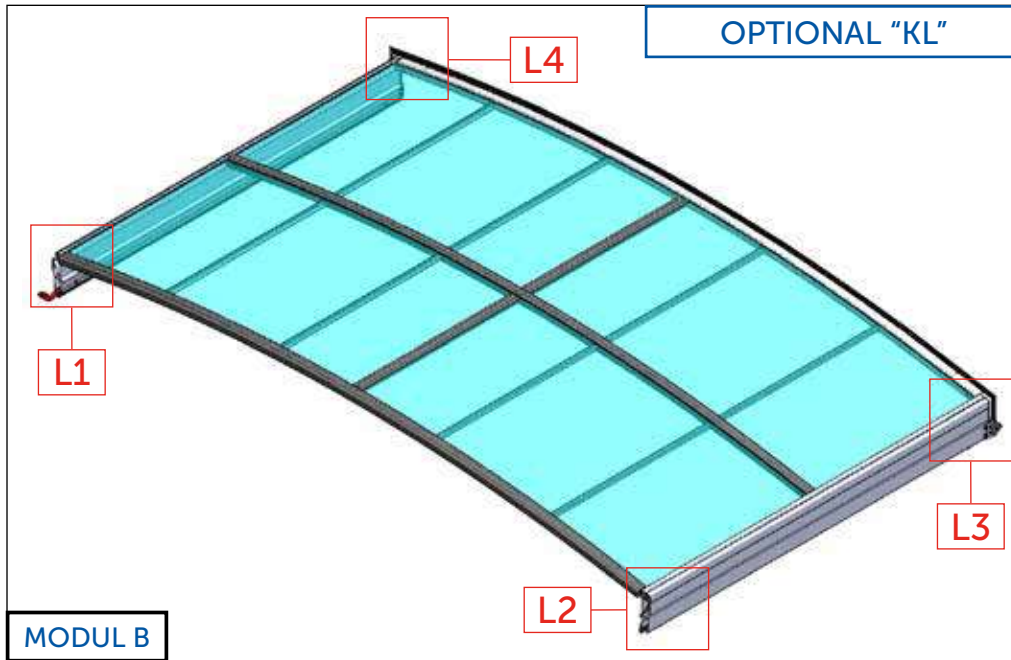
### OPTIONAL "KL" - STANDARD

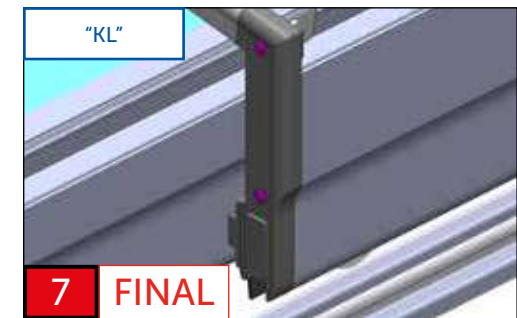
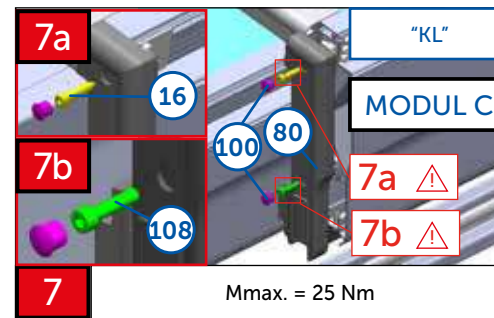
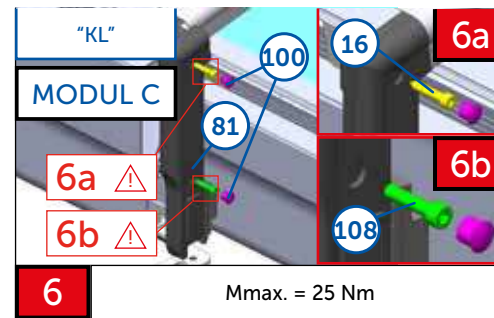
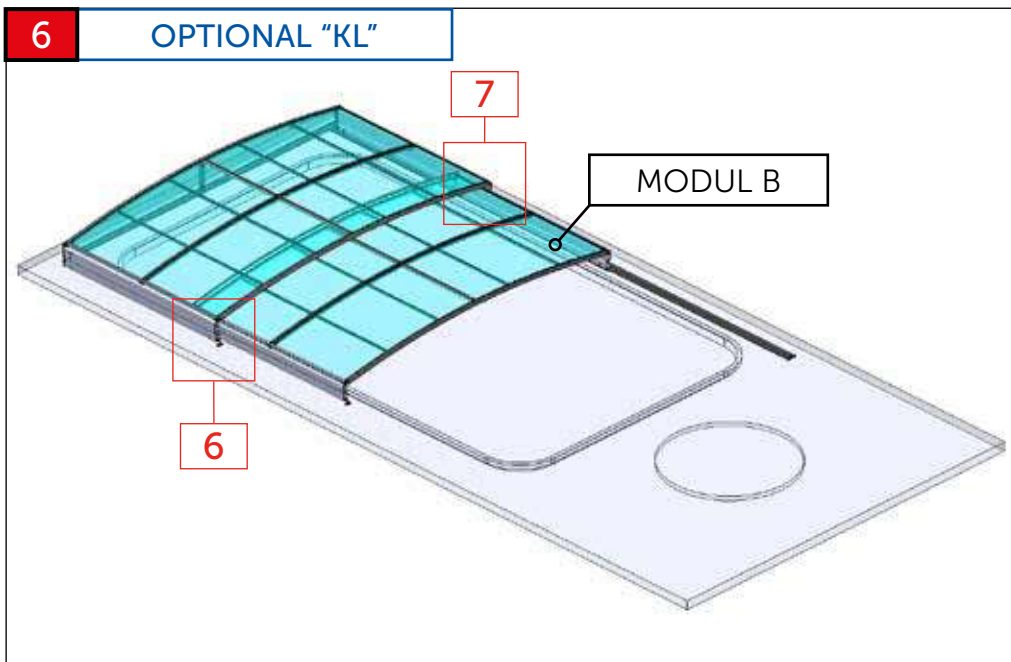
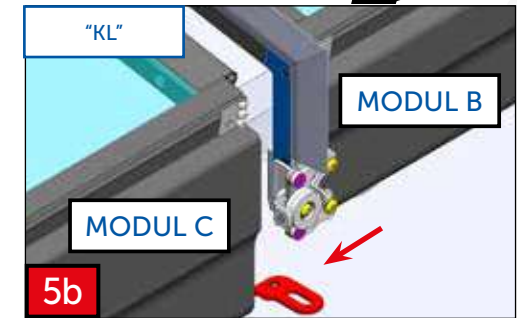
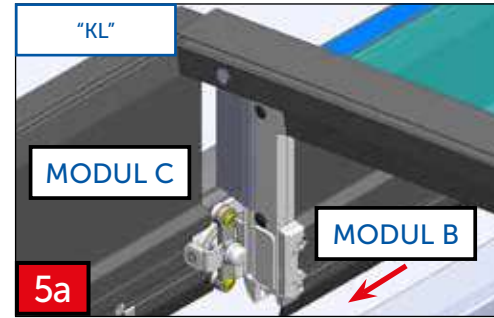
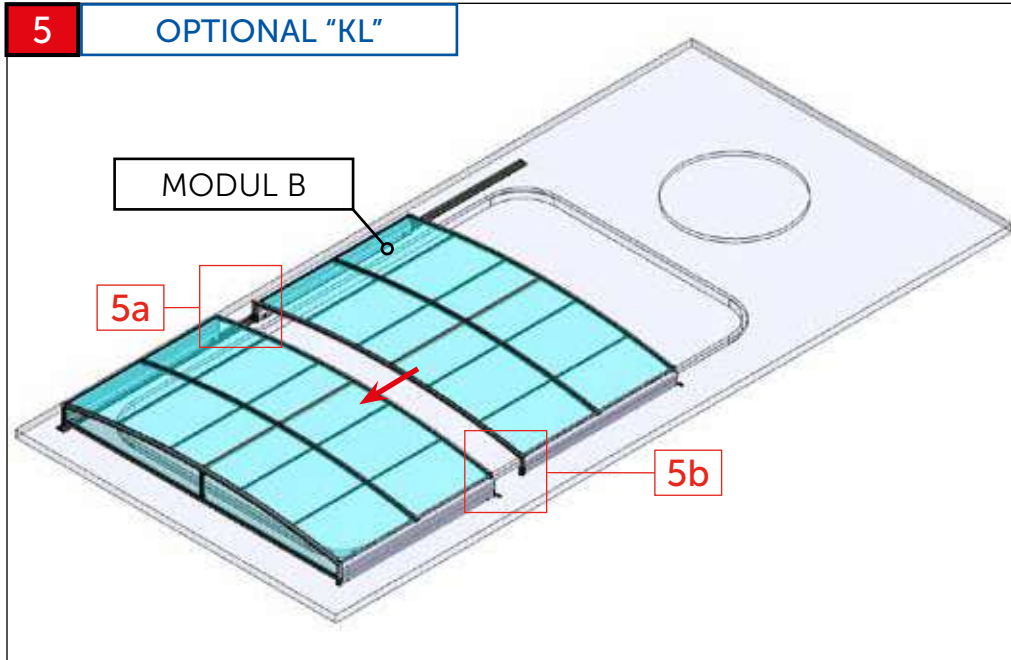


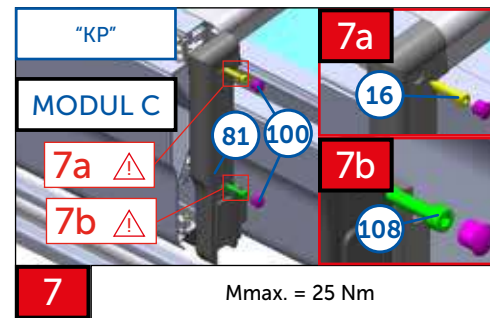
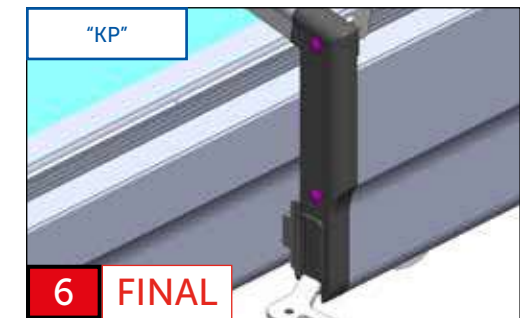
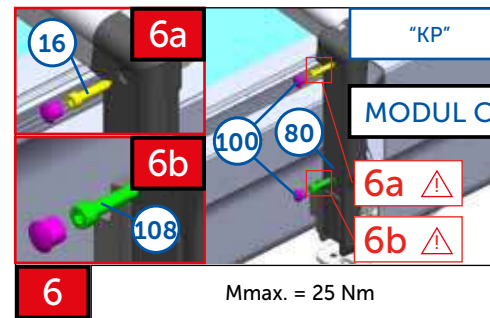
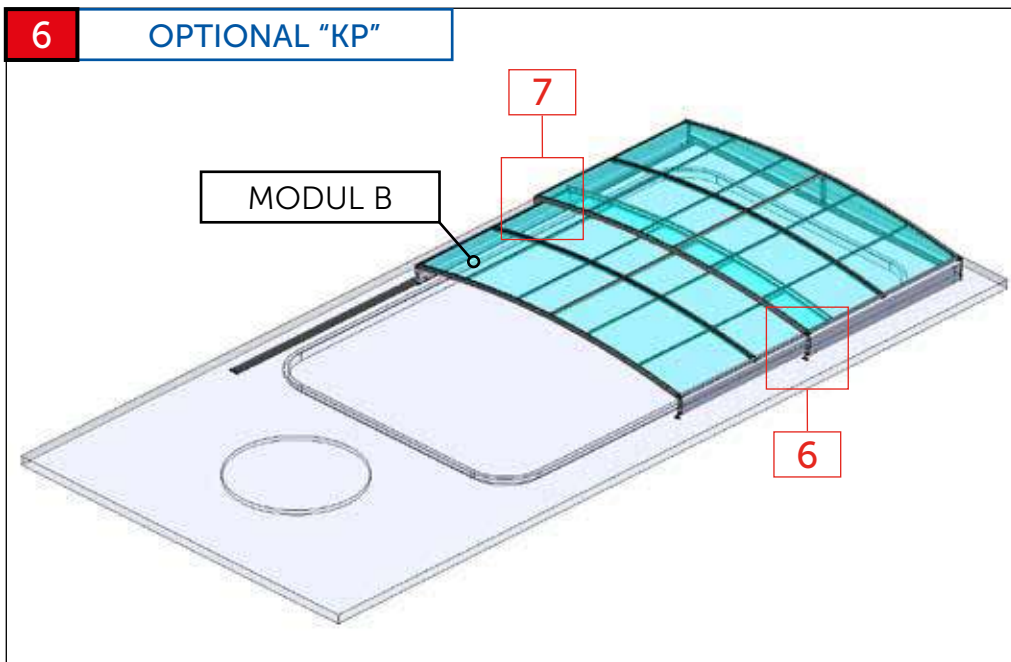
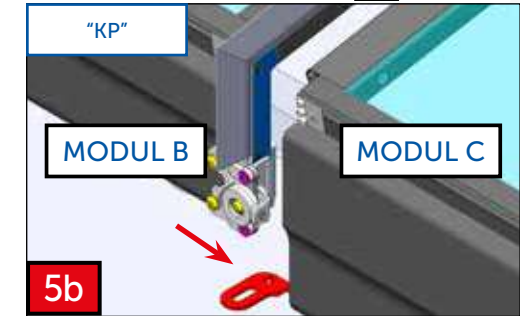
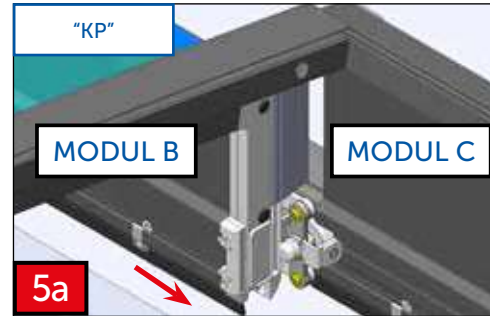
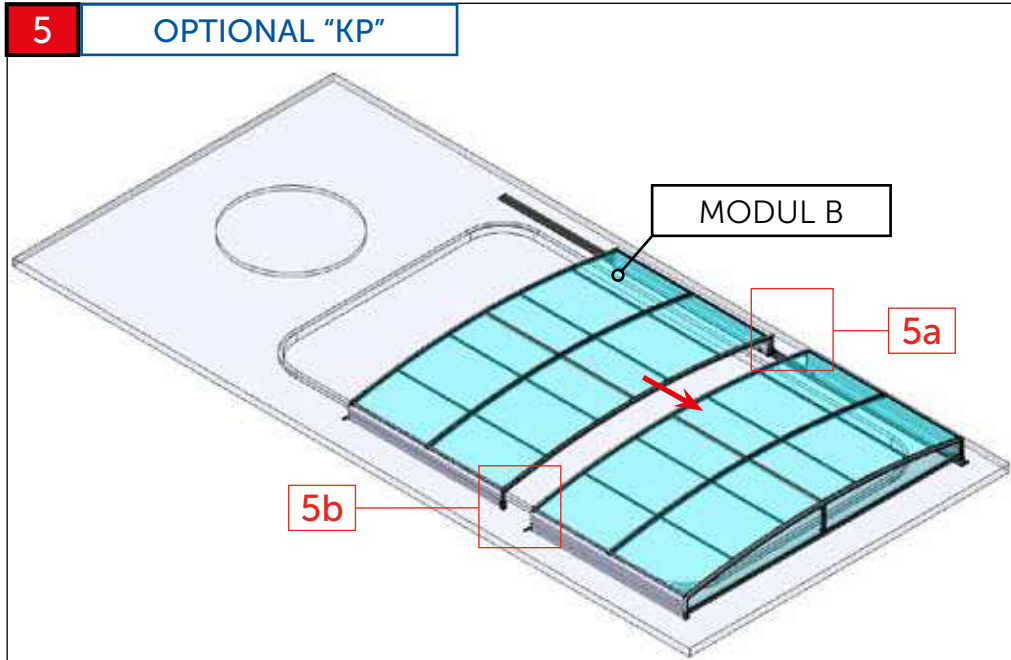
### OPTIONAL "KP"



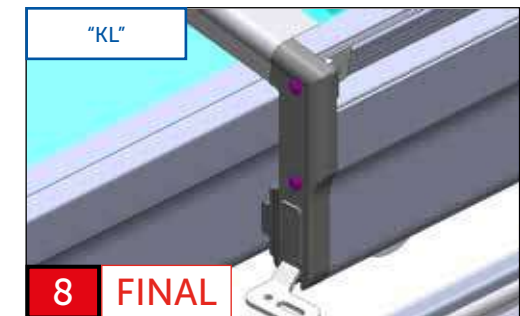
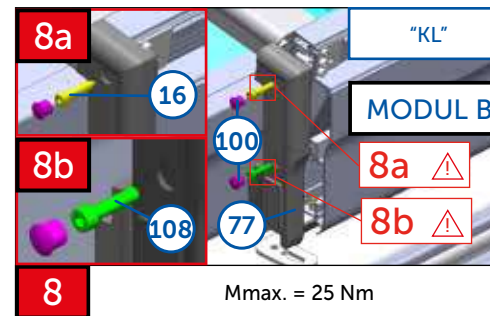
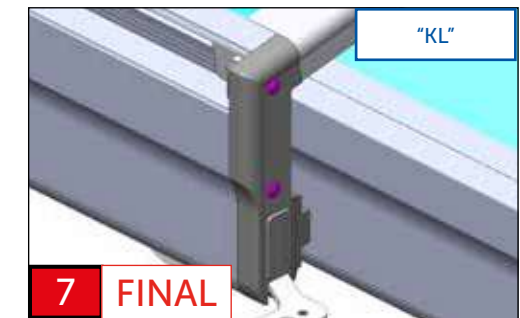
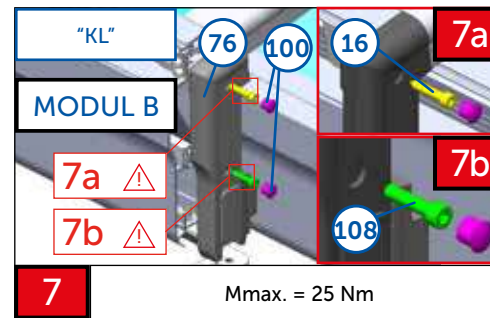
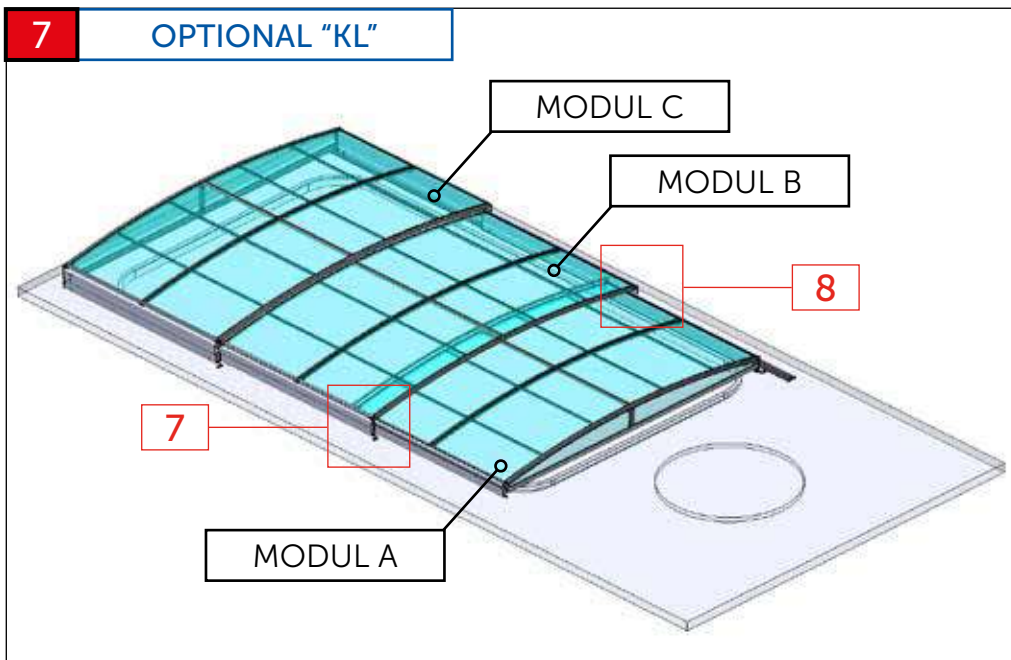
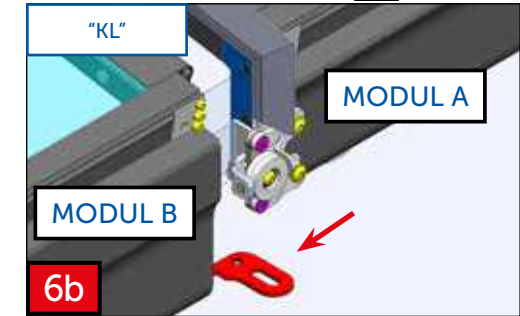
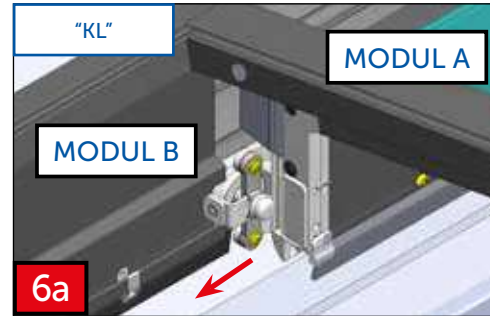
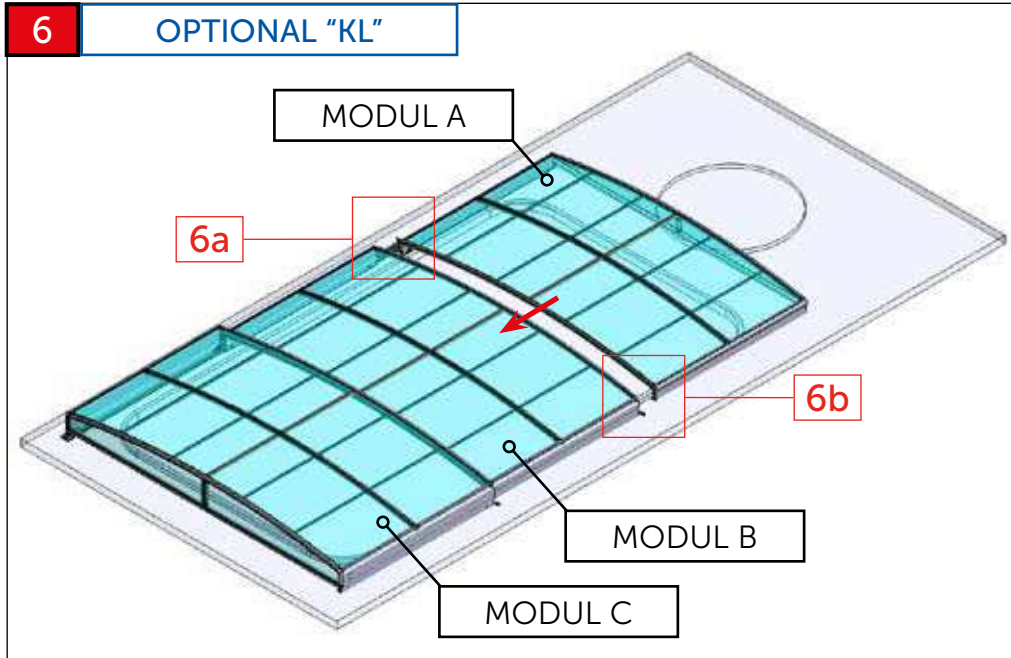


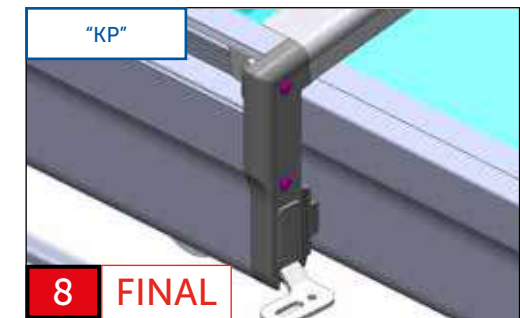
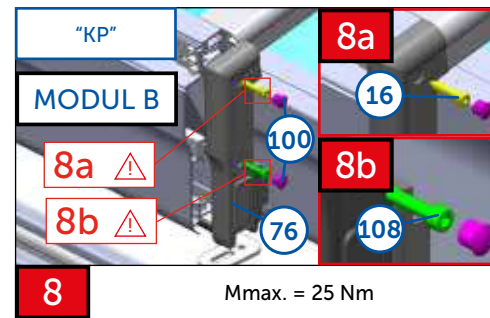
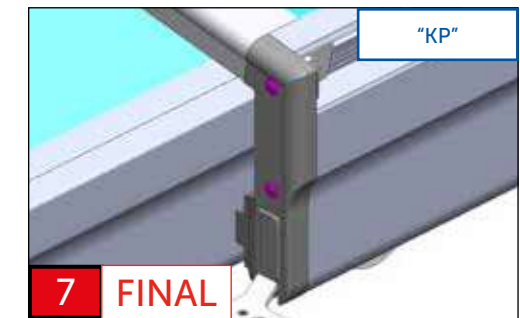
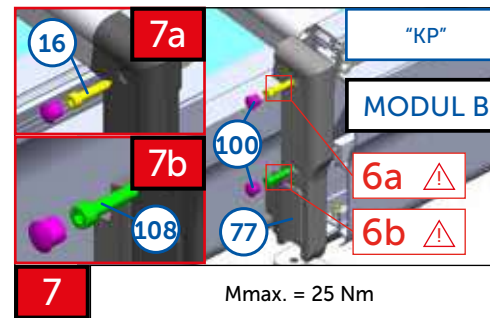
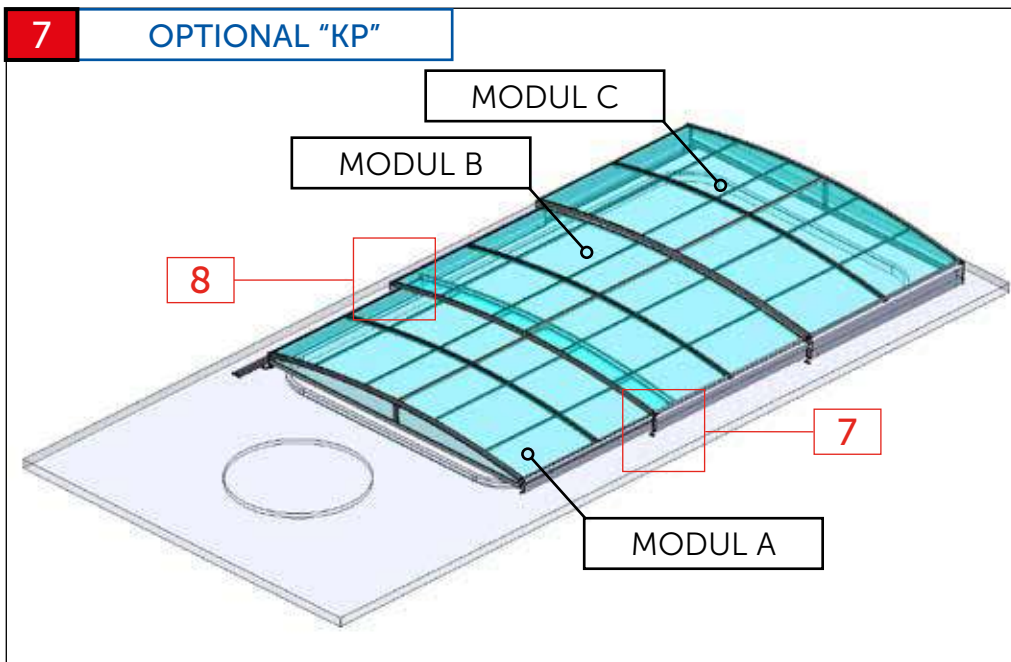
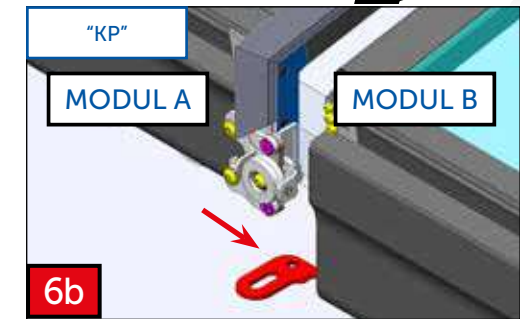
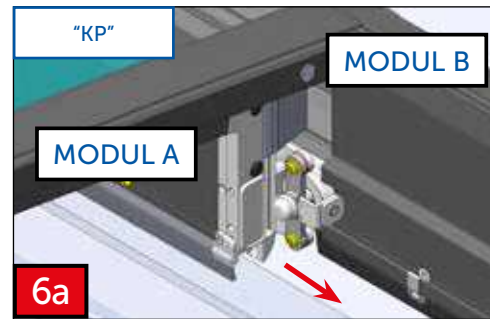
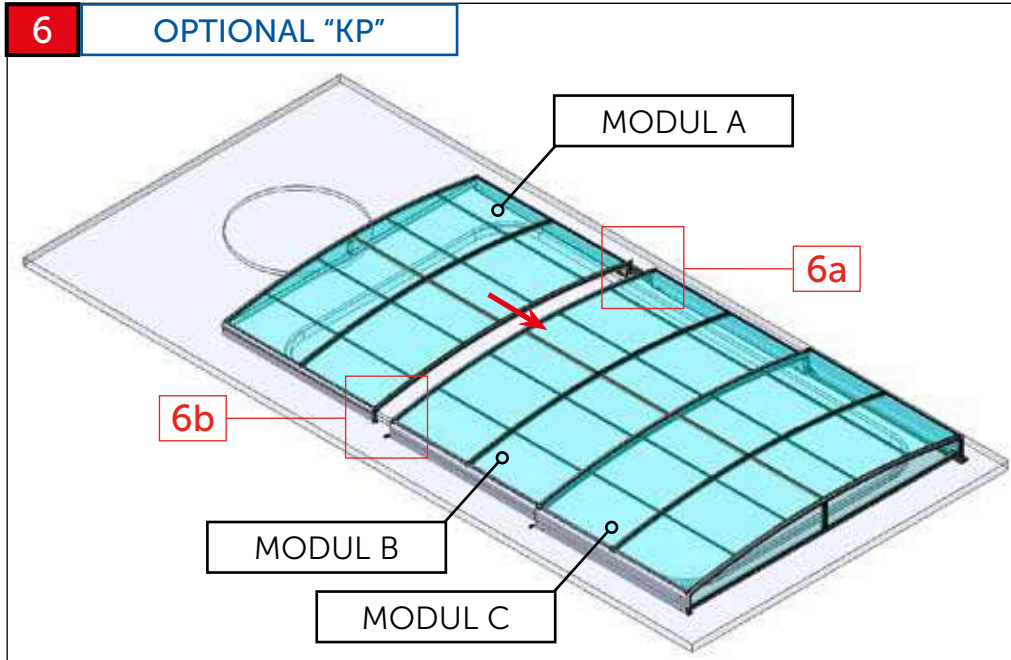


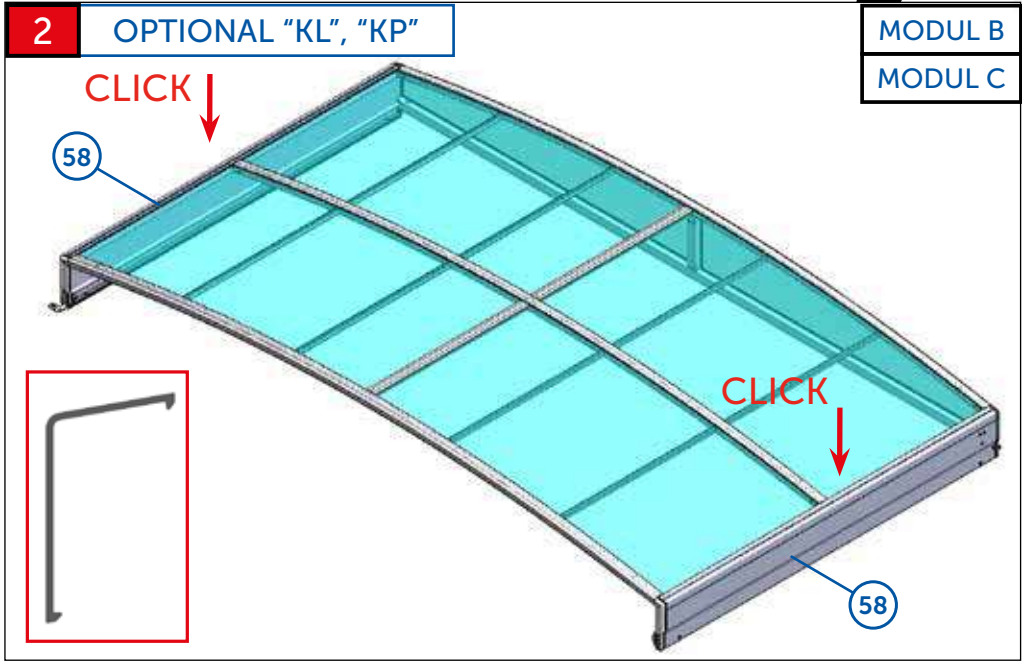
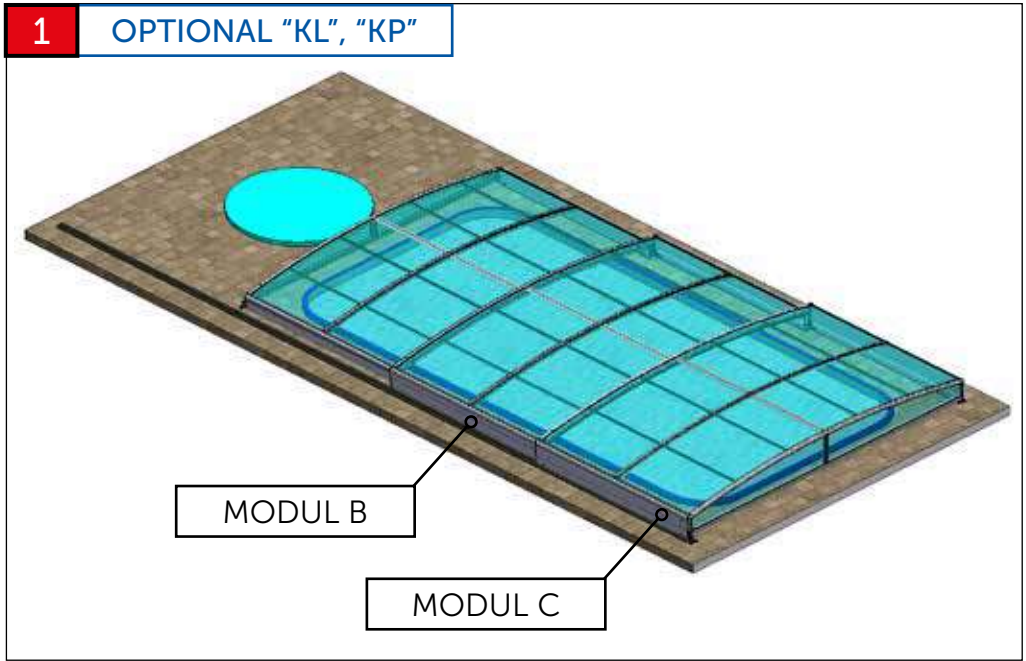




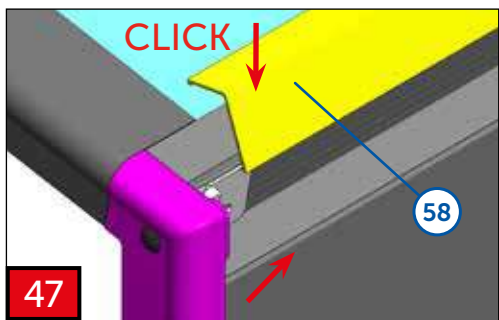


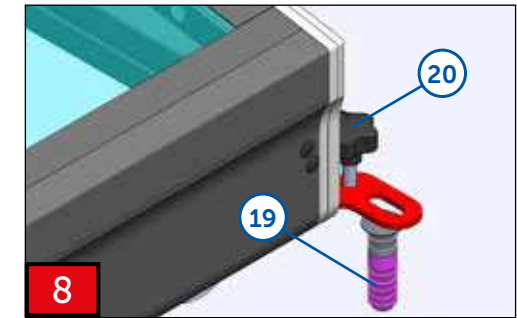
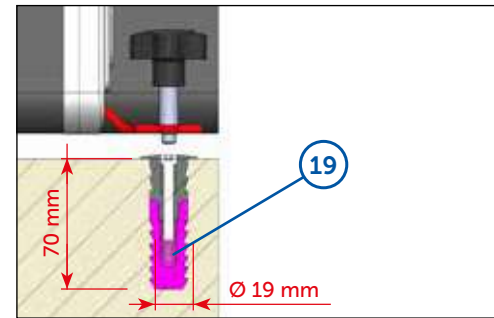
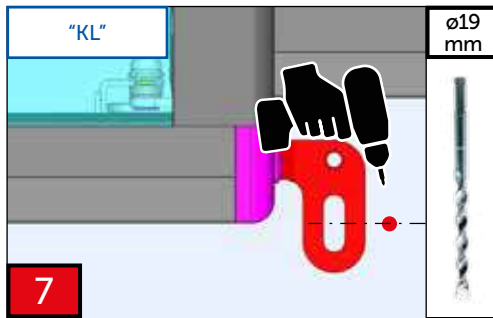
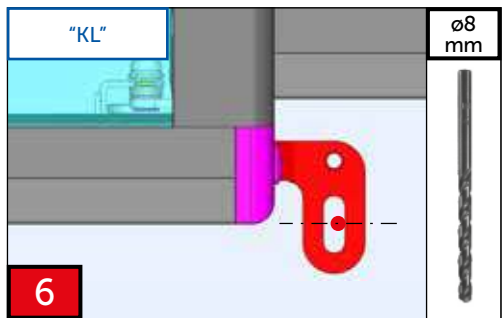
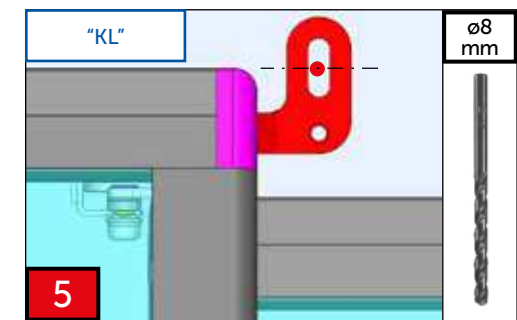
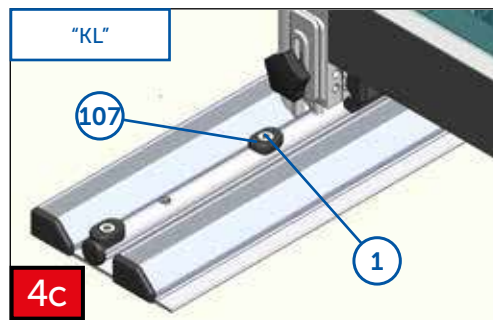
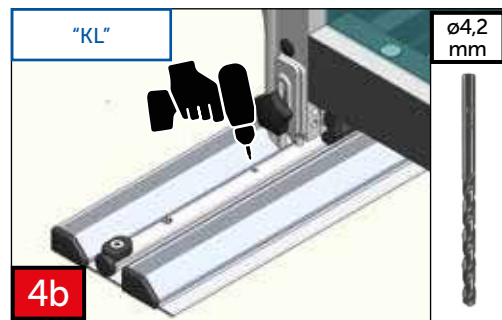
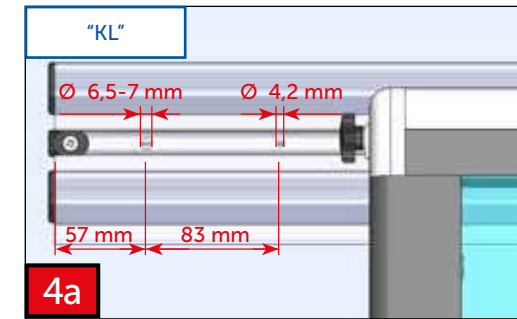
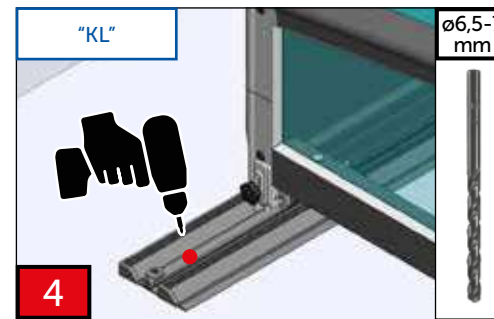
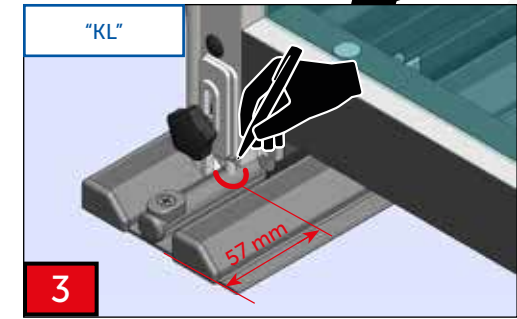
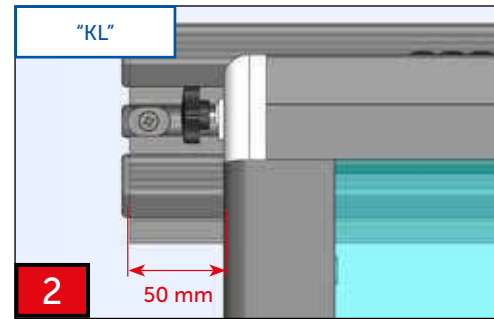
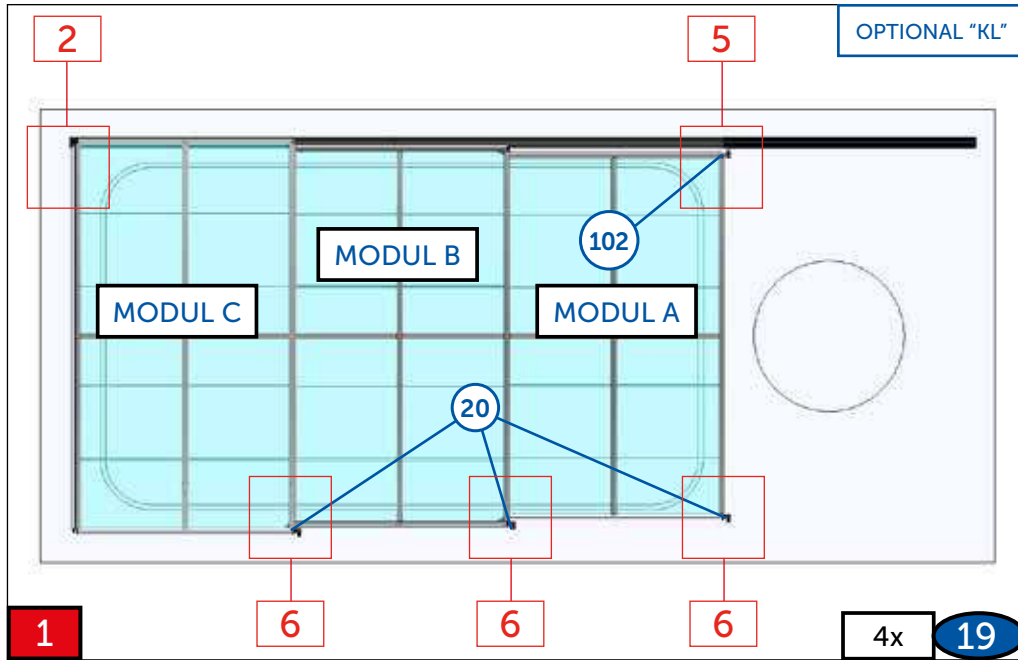




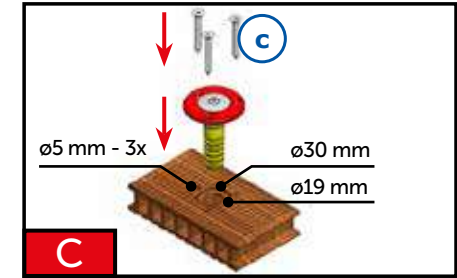
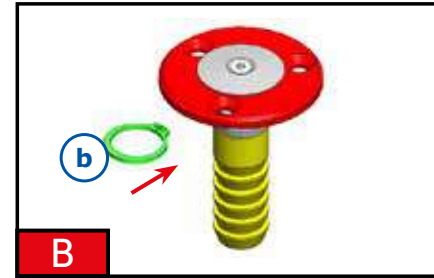
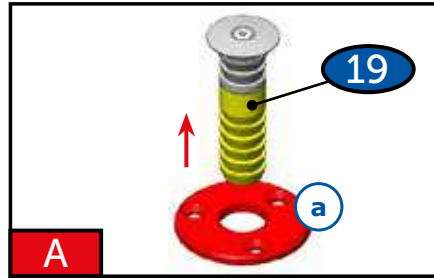


MODUL B  
MODUL C





Pouze pro dřevěné a dřevoplastové podlahy  
 Only for wooden and wood-plastic floors  
 Nur für Holz- und Holz-Kunststoffböden  
 Uniquement pour les planchers en bois et en bois-plastique  
 Только для деревянных и древесно-пластиковых полов



**1** OPTIONAL "KL"

MODUL C      MODUL B      MODUL A

Odjistit modul B,C  
 Unlock the module B,C  
 Modul B,C entsperren  
 Déverrouiller le module B,C  
 Разблокировать модуль B,C

**2** OPTIONAL "KL"

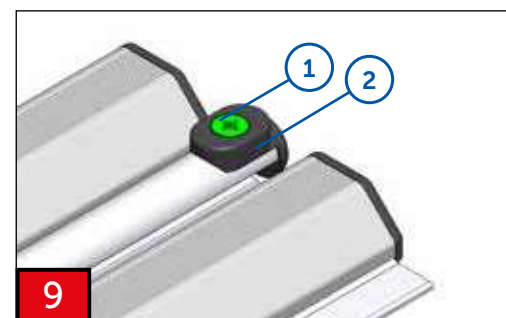
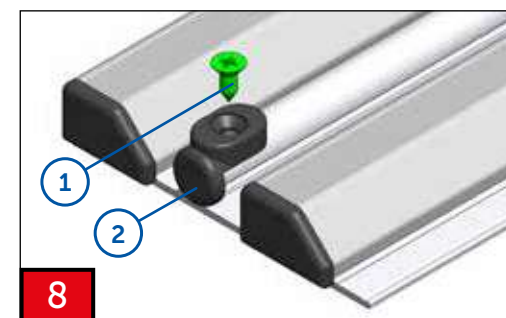
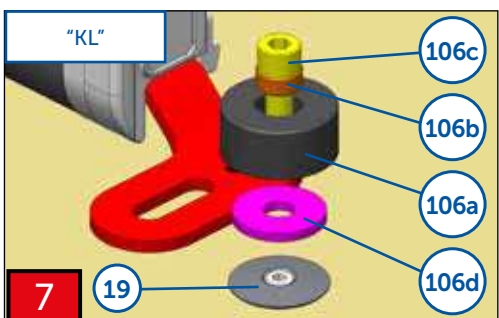
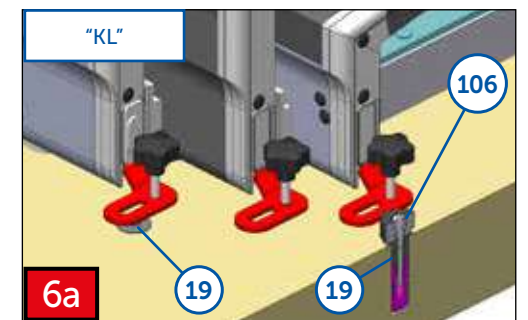
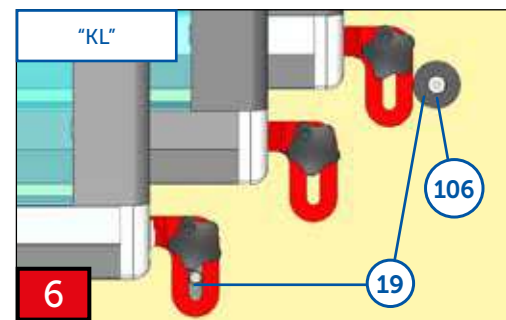
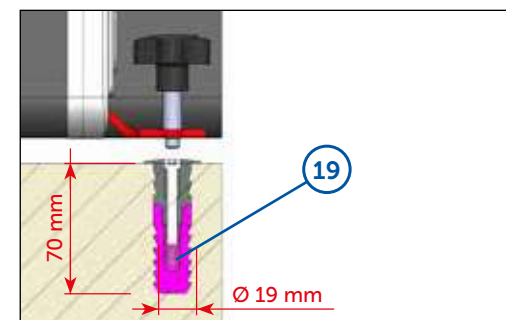
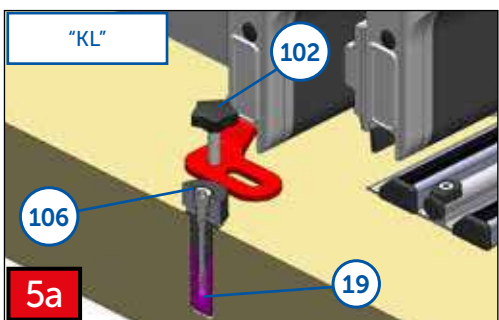
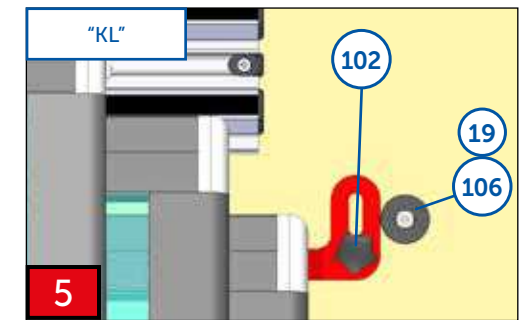
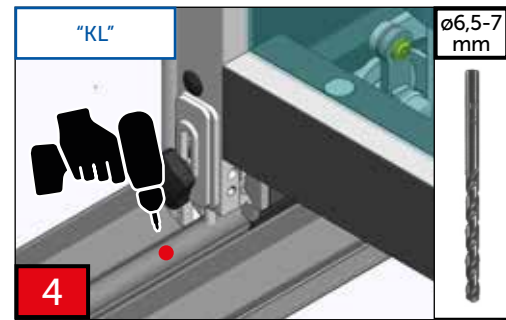
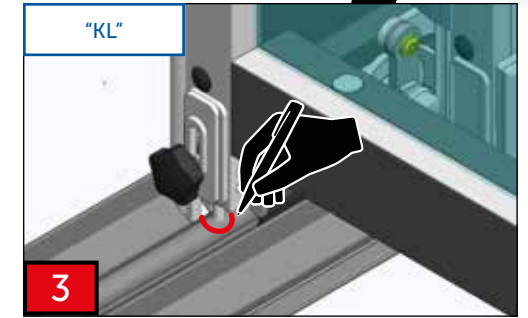
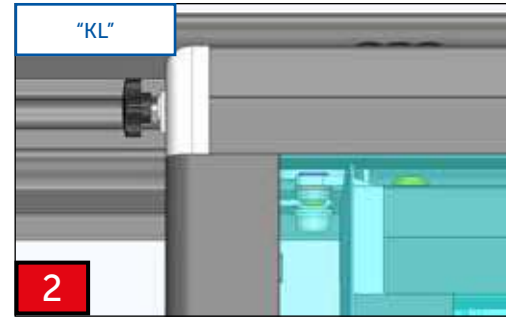
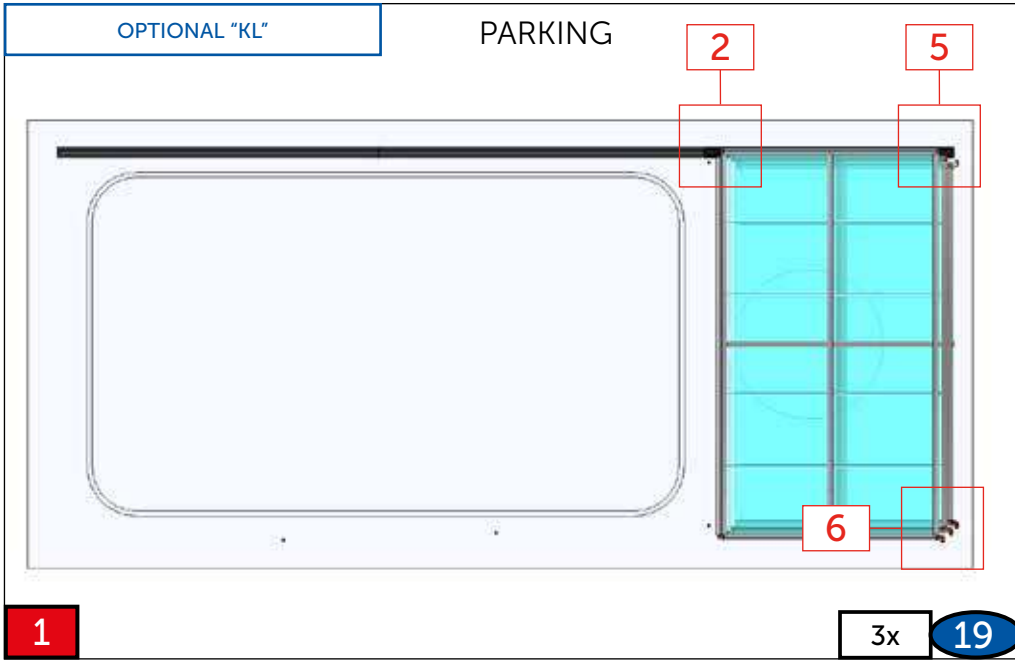
Zajištěný modul A  
 Locked module A  
 Modul A gesperrt  
 Module A verrouillé  
 Заблокированный модуль A

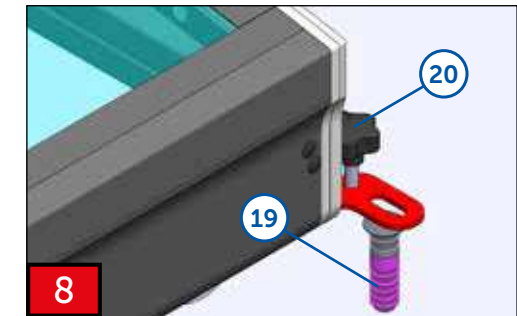
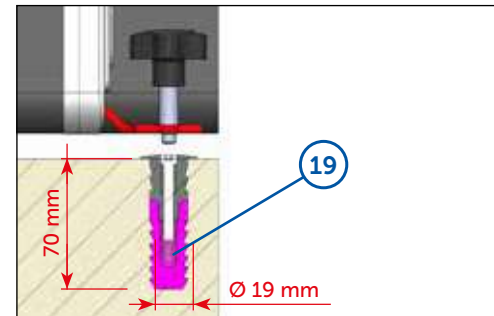
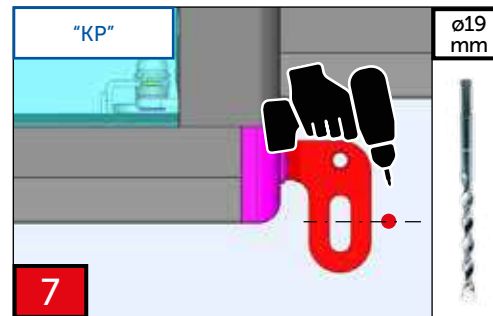
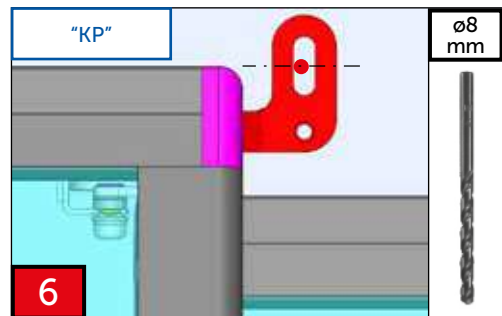
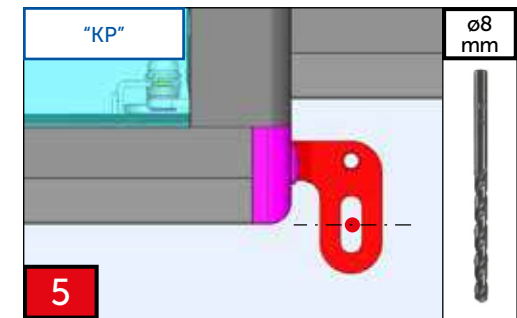
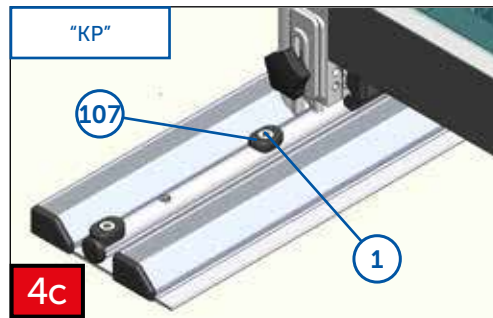
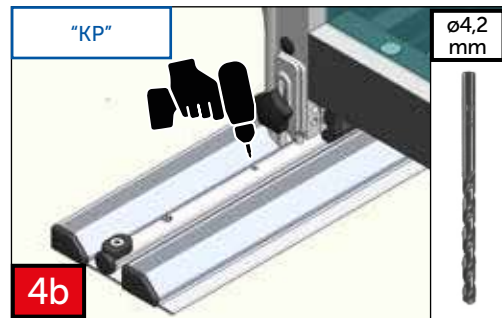
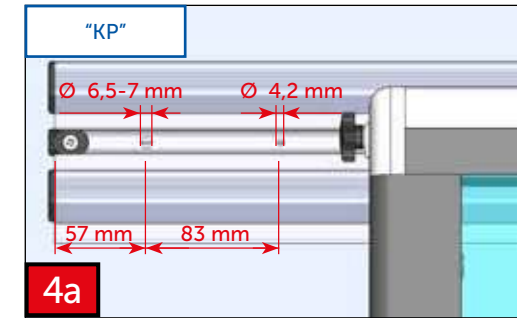
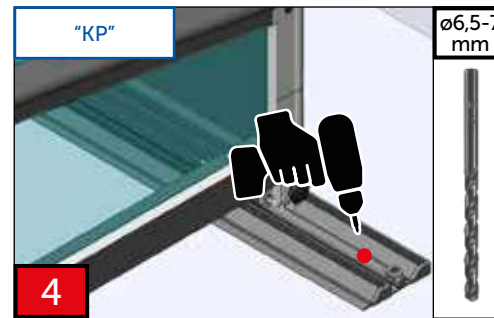
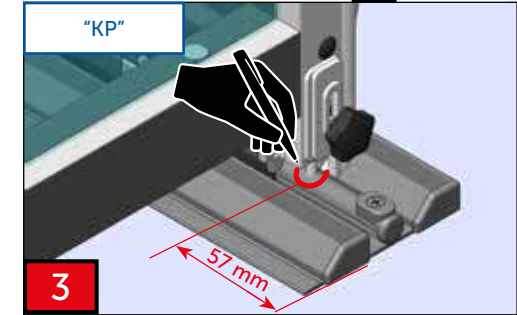
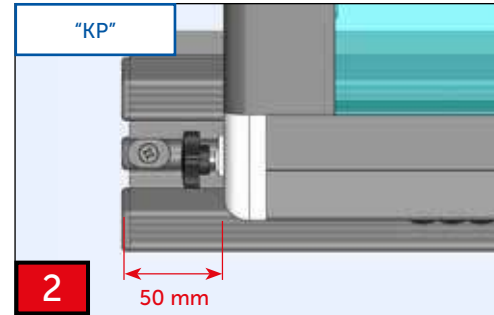
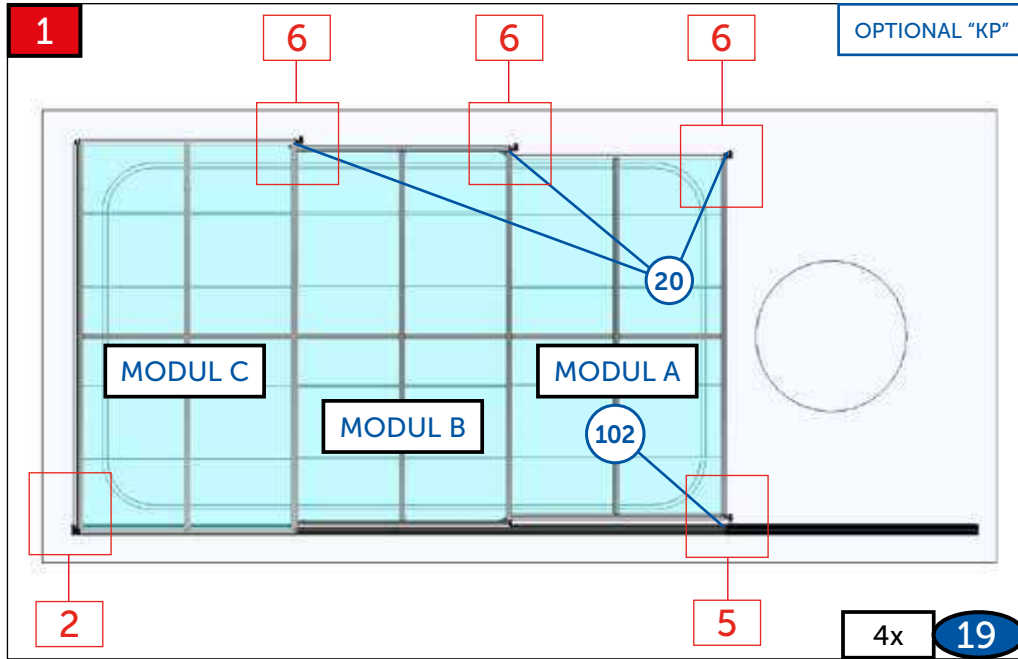
**3** OPTIONAL "KL"

Odjistit modul A  
 Unlock the module A  
 Modul A entsperren  
 Déverrouiller le module A  
 Разблокировать модуль A

**4** PARKING OPTIONAL "KL"

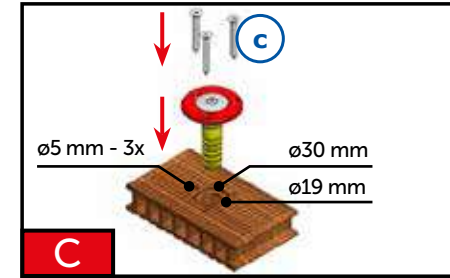
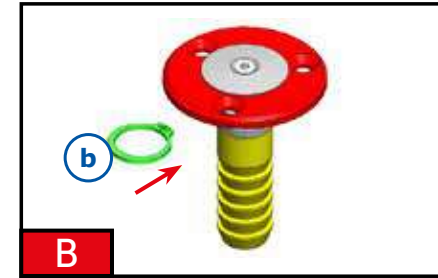
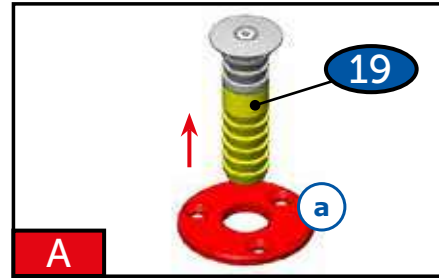
Zajistit modul B,C  
 Lock the module B,C  
 Modul A,B,C sperren  
 Module de verrouillage B,C  
 Блокировать модуль B,C



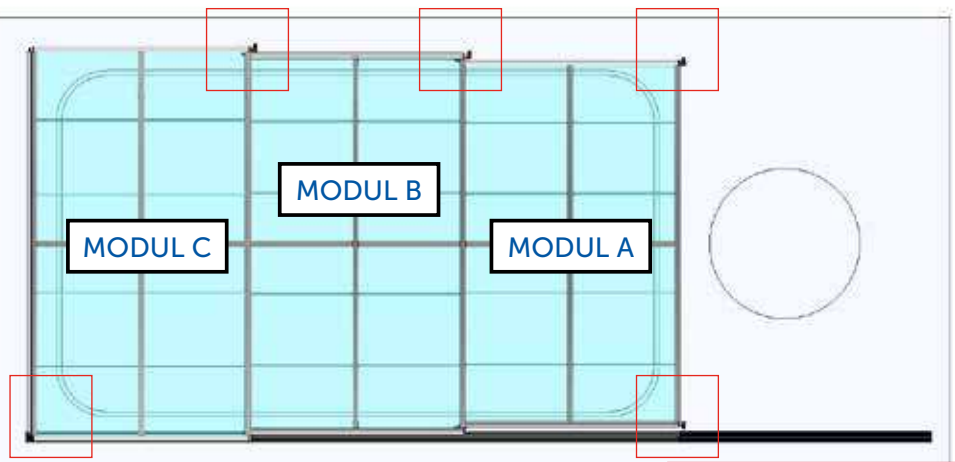




Pouze pro dřevěné a dřevoplastové podlahy  
 Only for wooden and wood-plastic floors  
 Nur für Holz- und Holz-Kunststoffböden  
 Uniquement pour les planchers en bois et en bois-plastique  
 Только для деревянных и древесно-пластиковых полов



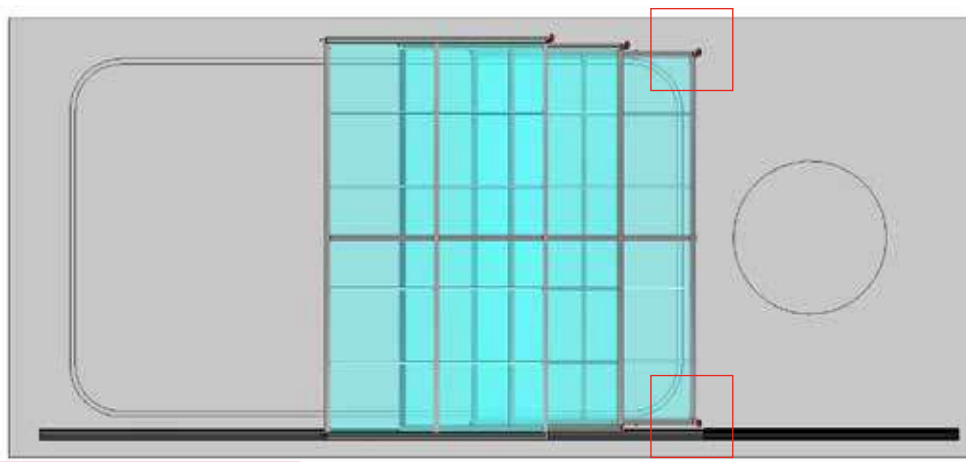
**1** OPTIONAL "KL"



MODUL C      MODUL B      MODUL A

Odjistit modul B,C  
 Unlock the module B,C  
 Modul B,C entsperren  
 Déverrouiller le module B,C  
 Разблокировать модуль B,C

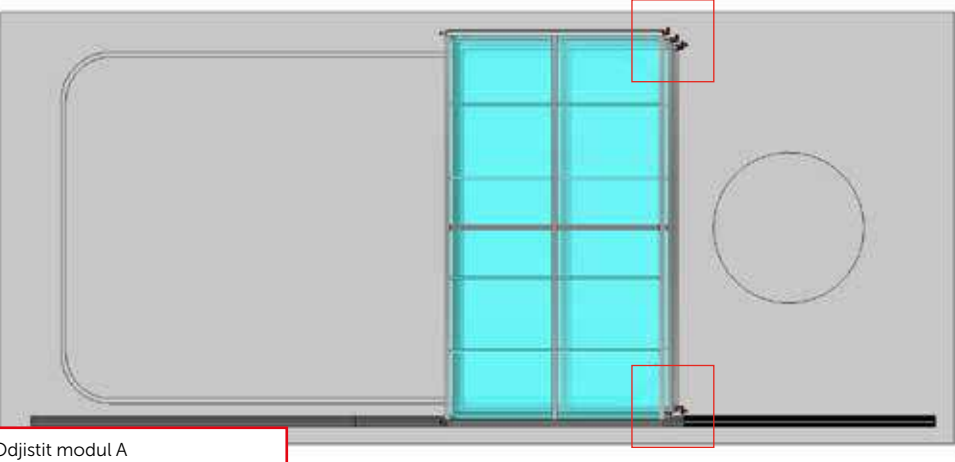
**2** OPTIONAL "KL"



Zajištěný modul A  
 Locked module A  
 Modul A gesperrt  
 Module A verrouillé  
 Заблокированный модуль A

→

**3** OPTIONAL "KL"

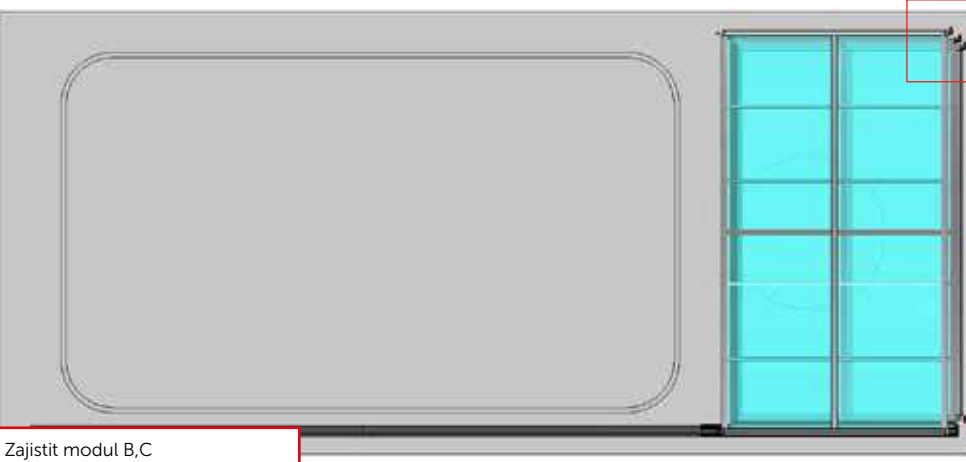


Odjistit modul A  
 Unlock the module A  
 Modul A entsperren  
 Déverrouiller le module A  
 Разблокировать модуль A

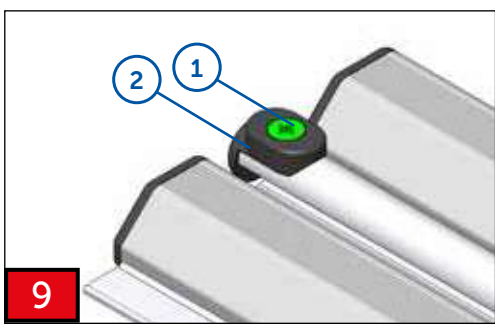
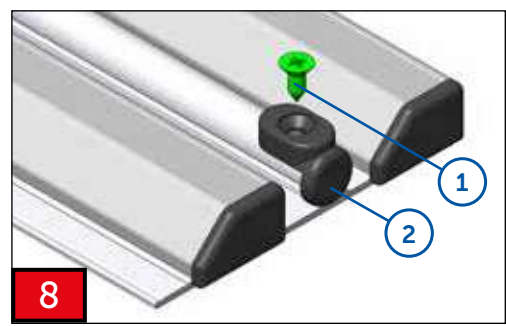
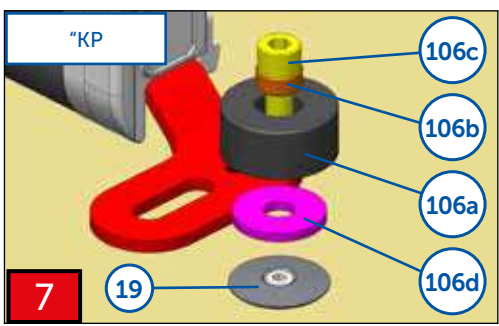
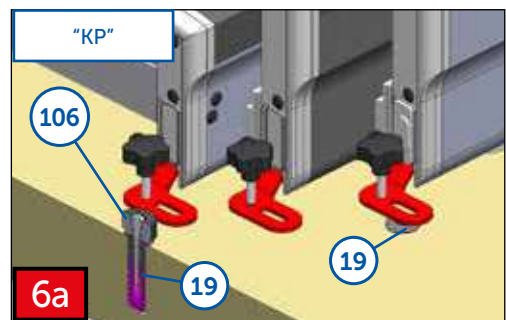
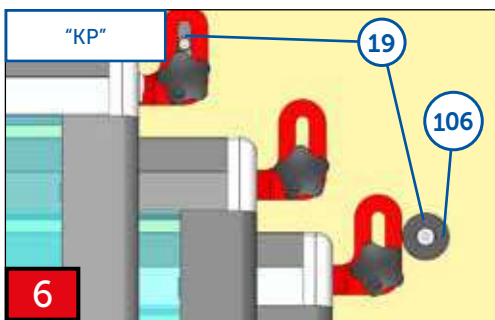
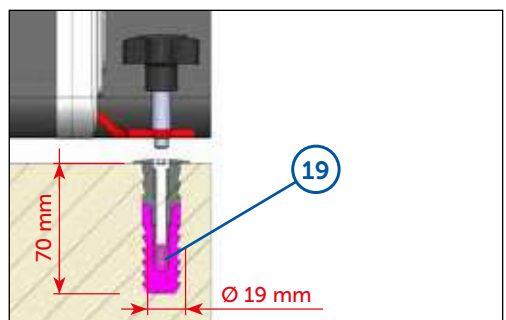
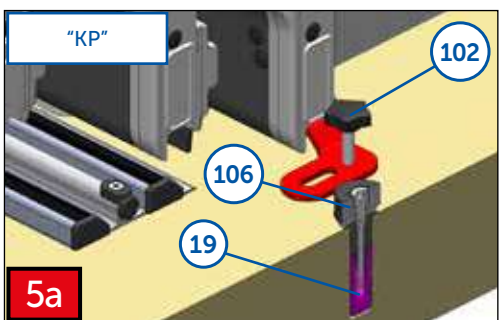
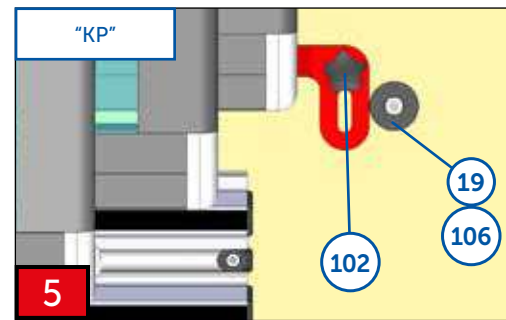
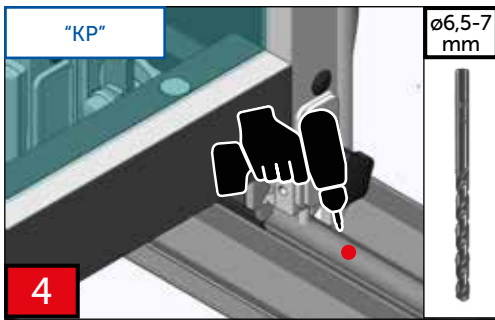
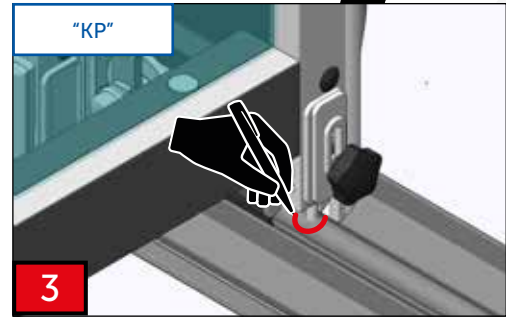
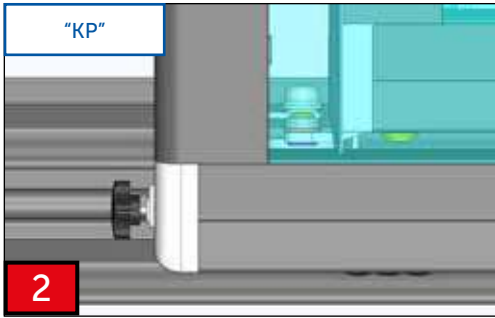
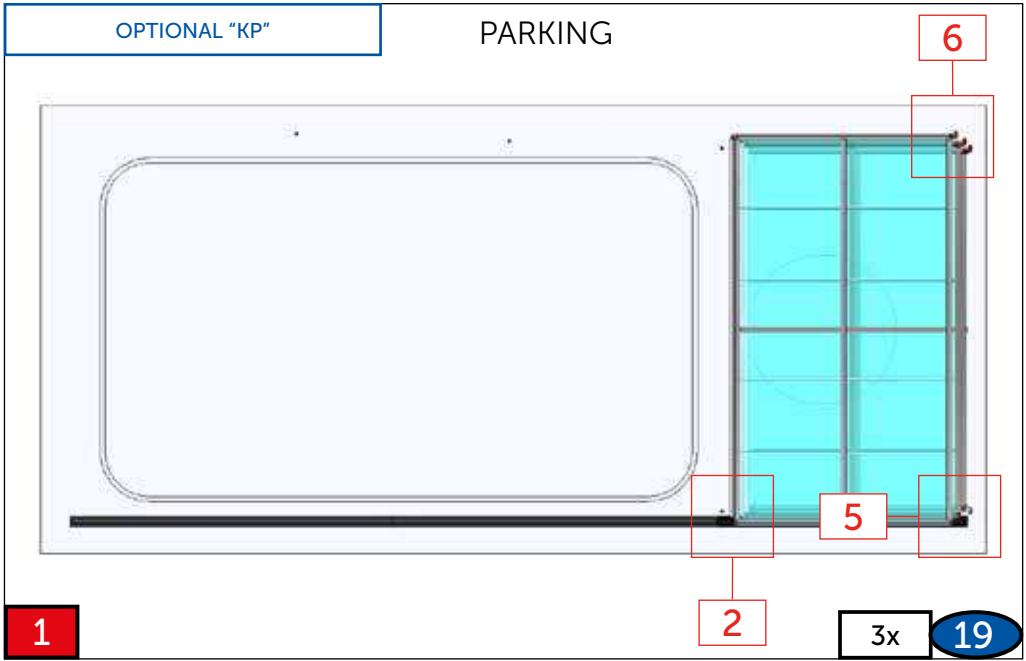
→

**4** OPTIONAL "KL"

PARKING



Zajistit modul B,C  
 Lock the module B,C  
 Modul A,B,C sperren  
 Module de verrouillage B,C  
 Блокировать модуль B,C





## CZ

Dodavatel si vyhrazuje právo na změny a úpravy technických parametrů uváděných v tomto katalogu s ohledem na technický vývoj a zdokonalení výrobků a balení. Dodavatel si vyhrazuje právo na tiskové chyby a chyby v sazbě. Před montáží si pozorně přečtěte návod. Návod si uchovejte pro pozdější použití.

## DE

Der Lieferant behält sich das Recht auf Änderungen und Anpassungen der technischen Parameter, die in diesem Katalog aufgeführt sind, mit Rücksicht auf die technische Entwicklung und Verbesserung der Produkte und Verpackung vor. Der Lieferant behält sich das Recht auf Druckfehler und Fehler im Satz vor. Vor der Montage lesen Sie bitte die Anleitung sorgfältig durch. Bewahren Sie die Anleitung für spätere Verwendung auf.

## EN

The supplier reserves the right for modifications and adaptations of the technical parameters stated in this catalogue, considering the technical development and upgrade of the products and packaging. The supplier reserves the right for print errors and typographical errors. Please read the manual carefully before you will start the installation. Keep the manual for later use.

## ES

El proveedor se reserva el derecho de hacer cambios y modificaciones técnicas de los parámetros que figuran en este catálogo, con respecto al desarrollo técnico mejorando los productos y embalajes. El proveedor se reserva también el derecho a errores de impresión y composición. Antes de empezar la instalación, lea atentamente las instrucciones. Guarde las instrucciones para su uso posterior.

## FR

Le fabricant se réserve le droit de modifier les paramètres techniques cités dans ce manuel en considération du développement technique et de l'amélioration des produits et de leur emballage. Le fabricant se réserve le droit des fautes d'impression et de composition. À lire attentivement et à conserver pour une consultation ultérieure.

## HU

Gyártó fenntartja jogát a katalógusban feltüntetett műszaki paraméterek változtatására a termékek és csomagolás technikai fejlesztése és tökéletesítése szerint. Szállító: a szállító fenntartja jogát a nyomtatási és szedési hibákra.

## IT

Il fornitore si riserva il diritto di effettuare modifiche e correzioni ai parametri tecnici riportati nel presente catalogo per migliorare e perfezionare dal punto di vista tecnico i prodotti e gli imballaggi. Il fornitore non esclude inoltre l'eventuale presenza di errori di stampa e di impaginazione. Prima dell'installazione, leggere attentamente le istruzioni. Tenere l'istruzione per un uso successivo.

## PL

Dostawca zastrzega sobie prawo do zmian oraz dostosowania parametrów technicznych podanych w niniejszym katalogu z uwzględnieniem rozwoju technicznego i udoskonalania produktów oraz opakowań. Dostawca zastrzega sobie prawo do błędów druku oraz typograficznych.

## PT

O provedor reserva-se o direito a efectuar alterações e adaptações de parâmetros técnicos mencionados neste catálogo, tendo em consideração o avanço técnico e melhorias de produtos e embalagens. O provedor reserva-se o direito a cometer erros de impressora e de edição.

## RO

Furnizorul își rezervă dreptul de a modifica și schimba parametrii tehnici menționați în acest catalog cu privire la evoluția tehnică și perfecționarea produselor și a ambalării. Furnizorul își rezervă dreptul la greșelile de tipar și greșelile privind tarifele.

## RU

Поставщик оставляет за собой право на изменение и исправление технических параметров продукции указанной в этом каталоге, с учетом технического развития, а усовершенствования изделий и его упаковки. Поставщик оставляет за собой право на опечатку в тексте и в ценах. Перед установкой и эксплуатацией изделия внимательно ознакомьтесь с настоящим руководством. Сохраните данное руководство для дальнейшего использования.