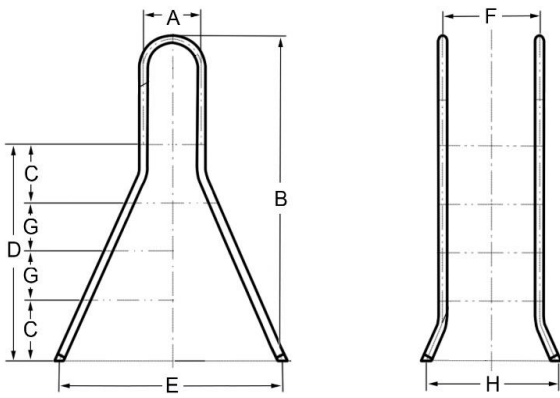
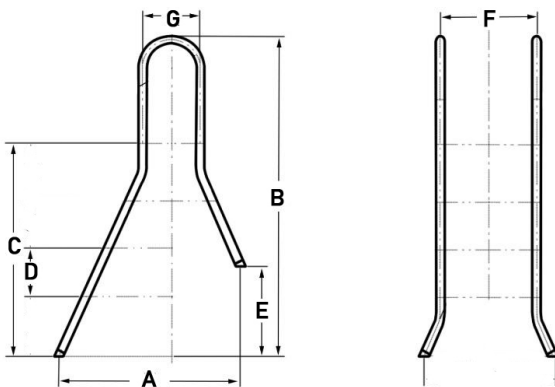
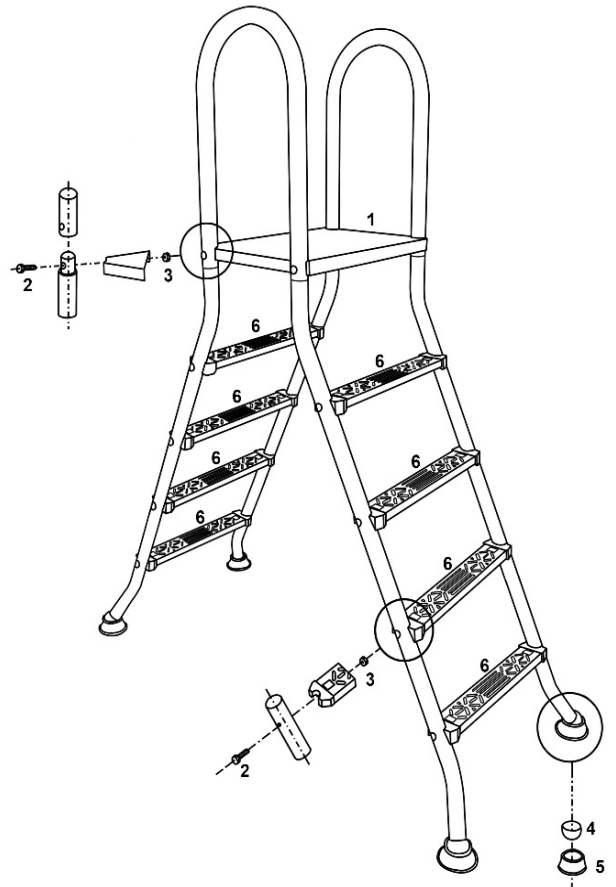


Above Ground Pool Ladder



Units:mm

| Model | A | B | C | D | E | F |
|-------|------|------|------|-----|-----|-----|
| 3+3 | 1200 | 1620 | 1080 | 250 | 320 | 500 |
| 4+4 | 1450 | 1870 | 1330 | 250 | 320 | 500 |
| 5+5 | 1700 | 2120 | 1580 | 250 | 320 | 500 |



Units:mm

| Model | A | B | C | D | E | F | G |
|-------|------|------|------|-----|-----|-----|-----|
| 3+1 | 900 | 1620 | 1080 | 250 | 460 | 500 | 320 |
| 4+1 | 1030 | 1870 | 1330 | 250 | 710 | 500 | 320 |
| 5+1 | 1160 | 2120 | 1580 | 250 | 960 | 500 | 320 |

Fitting Kits

The fitting kit contains all the parts necessary for assembly. The accessories differ according to the type of ladder and the number of steps.

| Number | 3+3 steps | 3+1steps | 4+4 steps | 4+1steps | 5+5 steps | 5+1steps |
|--------|-----------|----------|-----------|----------|-----------|----------|
| 1 | 1 | 1 | 1 | 1 | 1 | 1 |
| 2 | 16 | 12 | 20 | 14 | 24 | 16 |
| 3 | 16 | 12 | 20 | 14 | 24 | 16 |
| 4 | 4 | 4 | 4 | 4 | 4 | 4 |
| 5 | 4 | 4 | 4 | 4 | 4 | 4 |
| 6 | 6 | 4 | 8 | 5 | 10 | 6 |